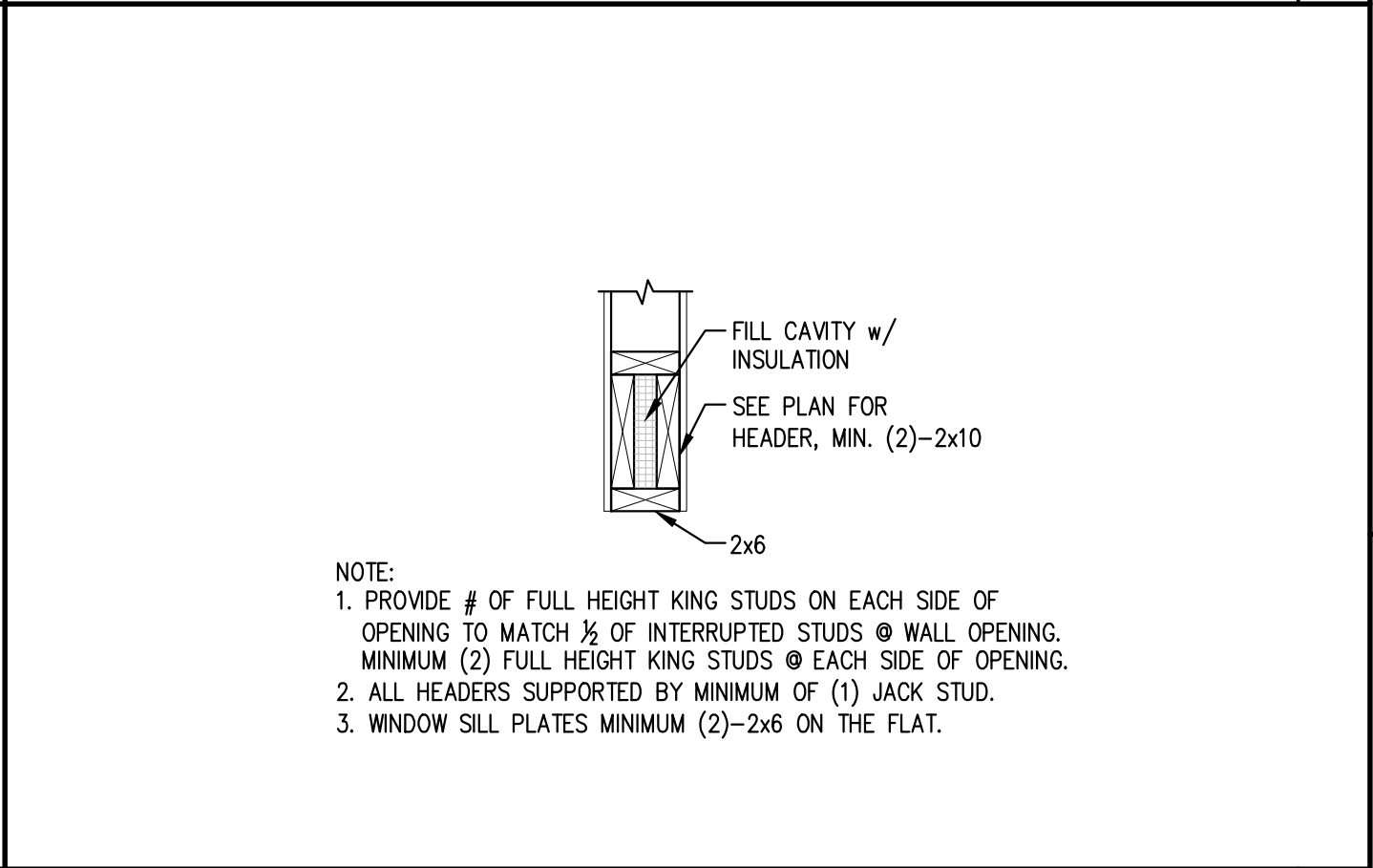
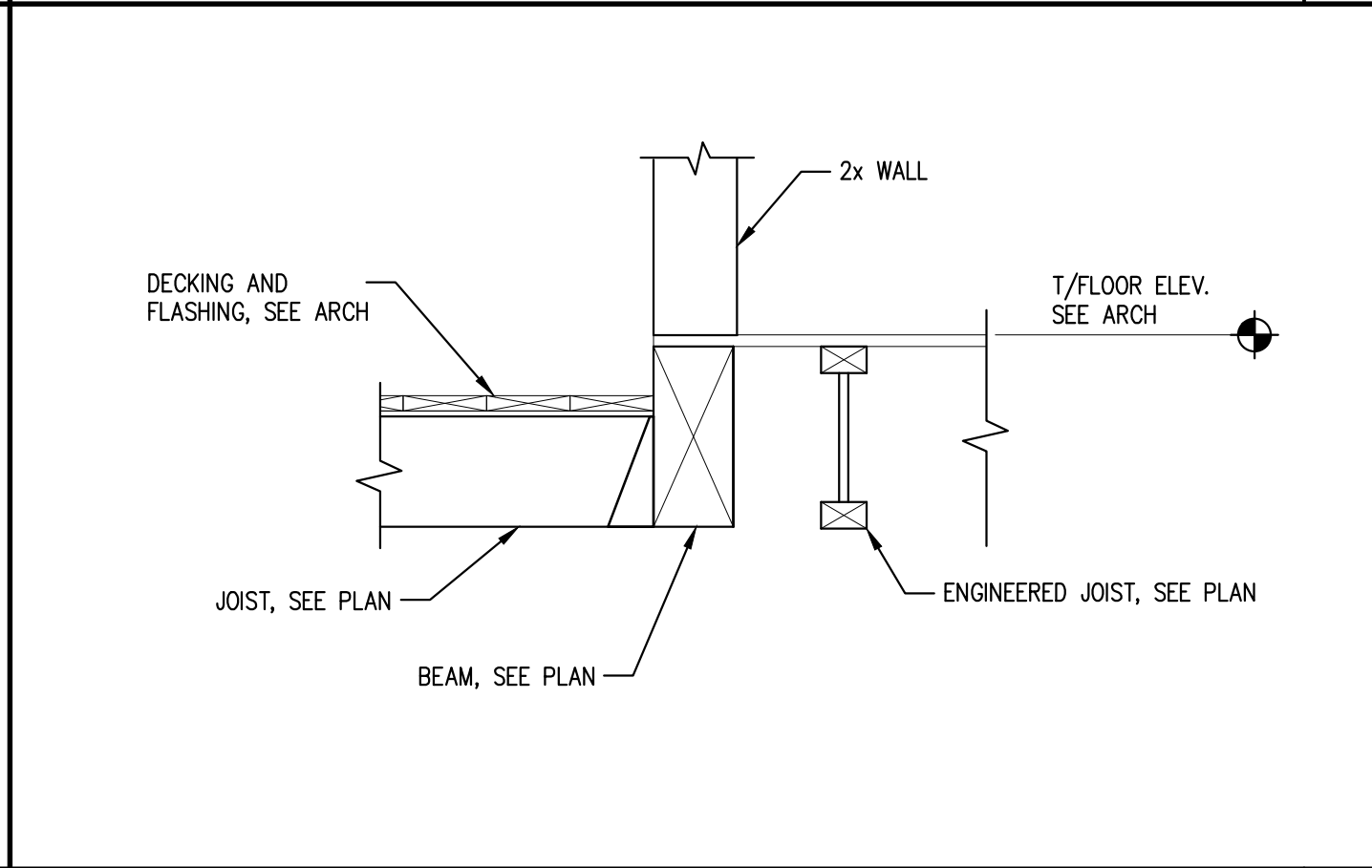
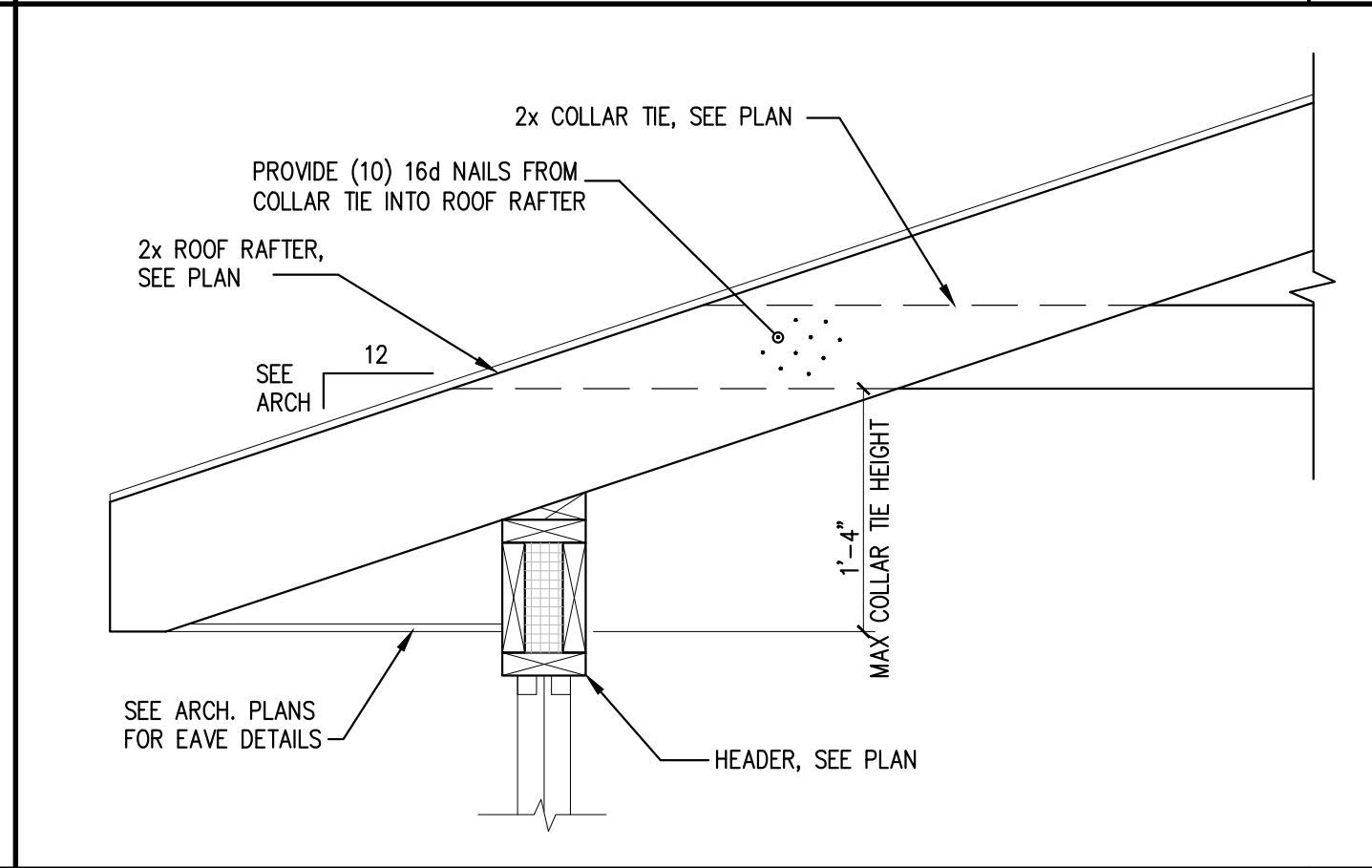
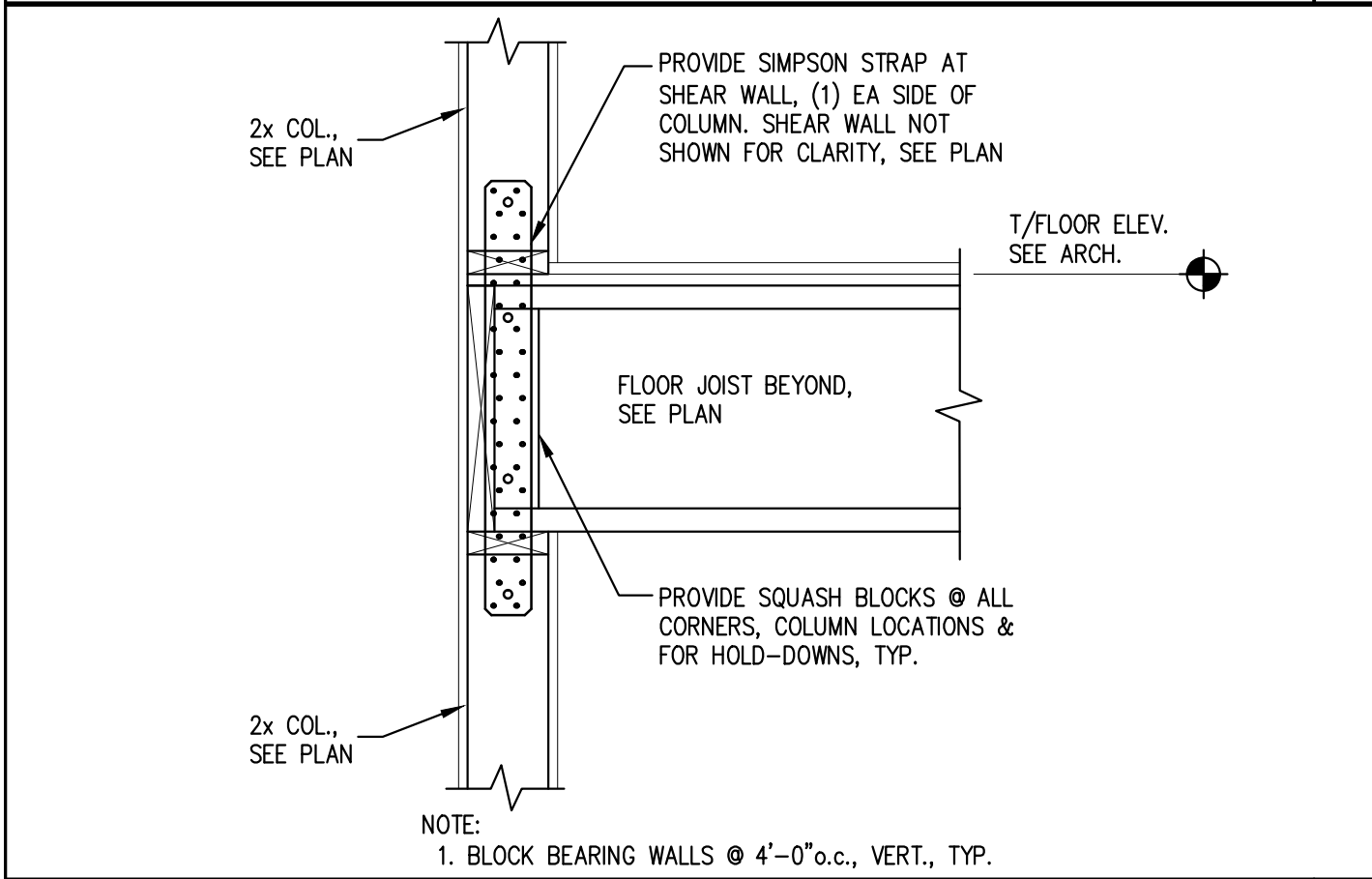


SECTION SCALE: 1"=1'-0" 1

TYPICAL SHEATHING DETAIL SCALE: NTS 2

SECTION SCALE: 1"=1'-0" 3

SECTION SCALE: 1"=1'-0" 4

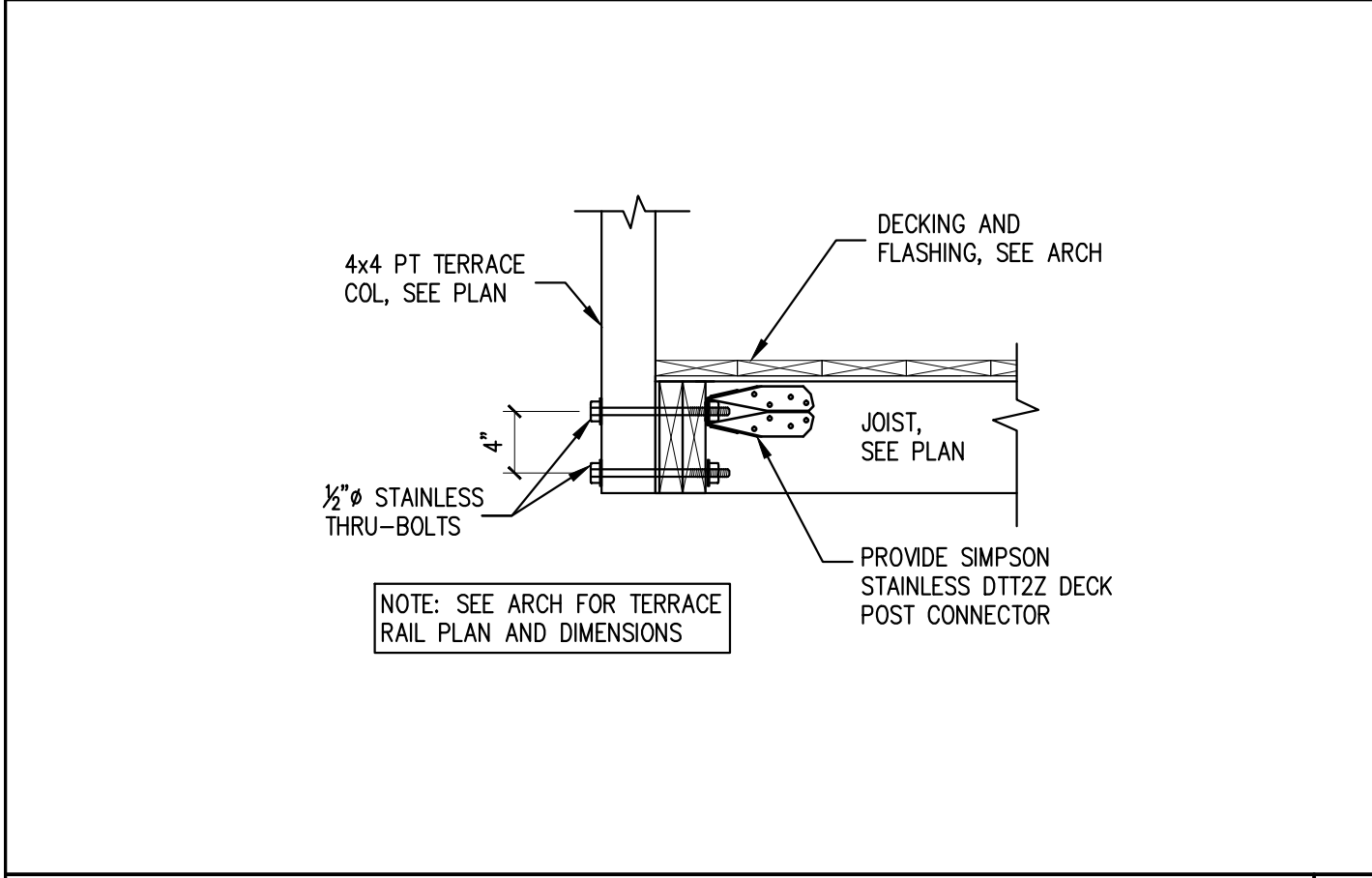


SECTION SCALE: 1"=1'-0" 5

SECTION SCALE: 1"=1'-0" 6

SECTION SCALE: 1"=1'-0" 7

TYPICAL HEADER DETAIL SCALE: NTS 8



SECTION SCALE: 1"=1'-0" 9

SECTION SCALE: 1"=1'-0" -

SECTION SCALE: 1"=1'-0" -

SECTION SCALE: 1"=1'-0" -



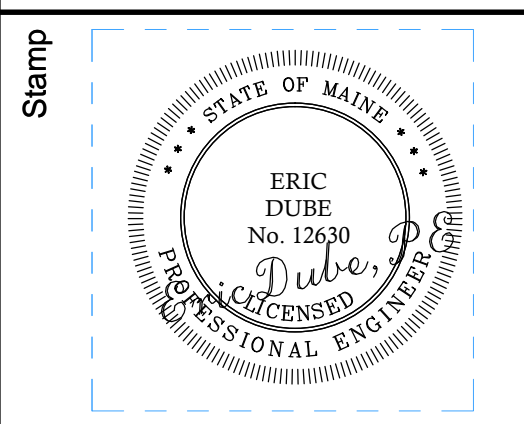
227 York Street  
 Residence - Portland, Maine

Architect:  
**Reiter Architecture & Design**  
 PO Box 275 -- Brooklin, ME 04616  
 Tel. 207.359.2300

Structural & Civil Engineer:  
**Casco Bay Engineering**  
 424 Fore Street -- Portland, ME 04101  
 Tel. 207.842.2800

MEP & Sprinkler Engineer:  
**Bennett Engineering**  
 PO Box 297 -- Freeport, ME 04032  
 Tel. 207.865.9475

Drwg Date / Issued by / Drwg Issue  
 MAY 10, 2013 / FOR BUILDING DEPT. REVIEW AND BIDDING ONLY/NOT FOR CONSTRUCTION



Drawing Title  
**Framing Details**

Drawing Number  
**S300**