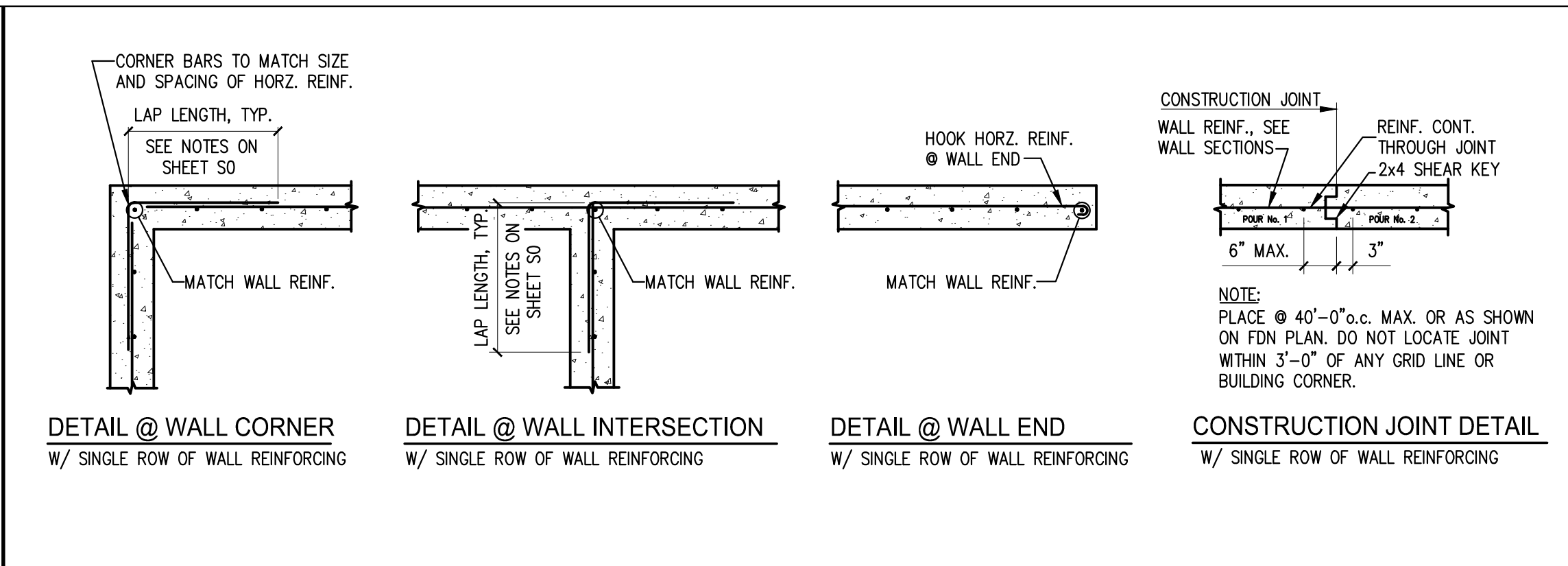
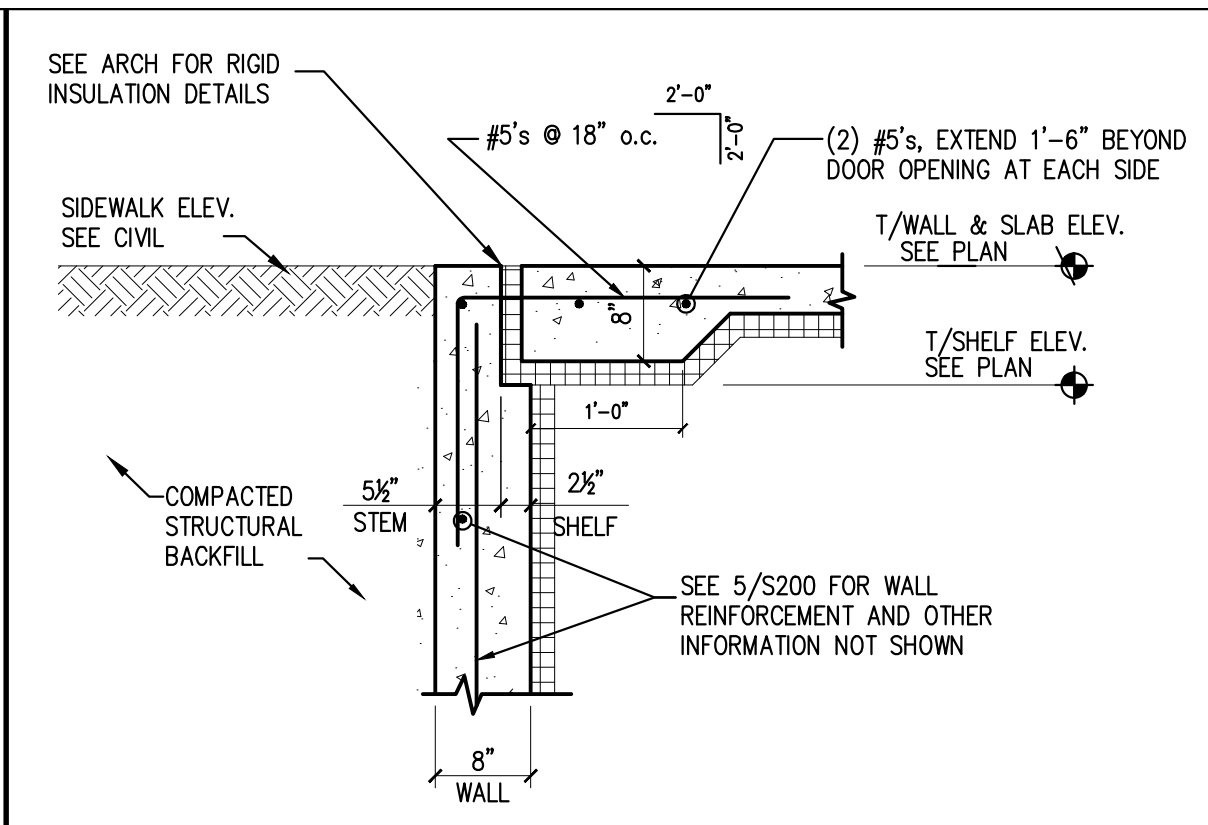


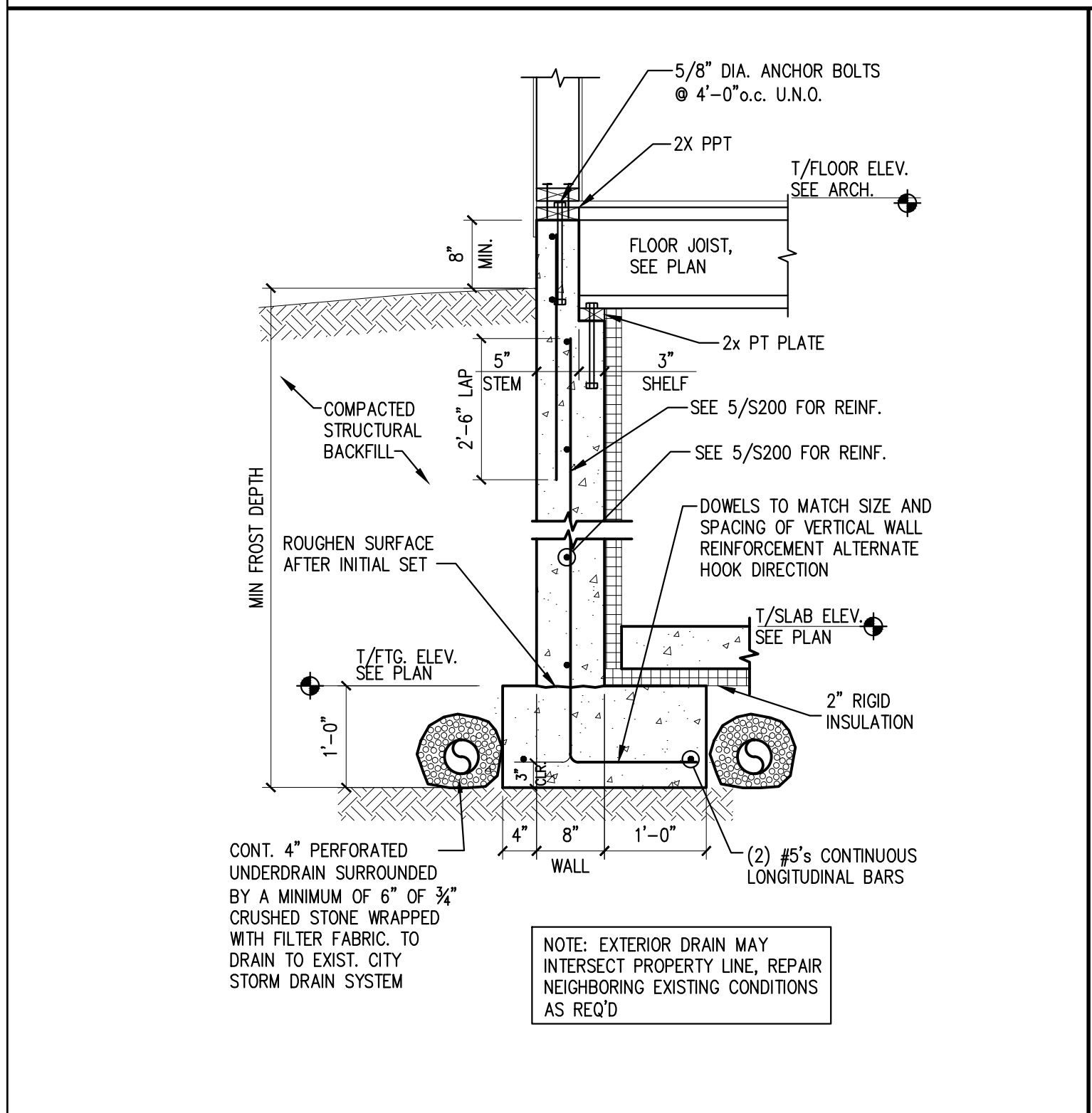
TYPICAL SLAB-ON-GRADE DETAILS SCALE: 3/4"=1'-0" 1



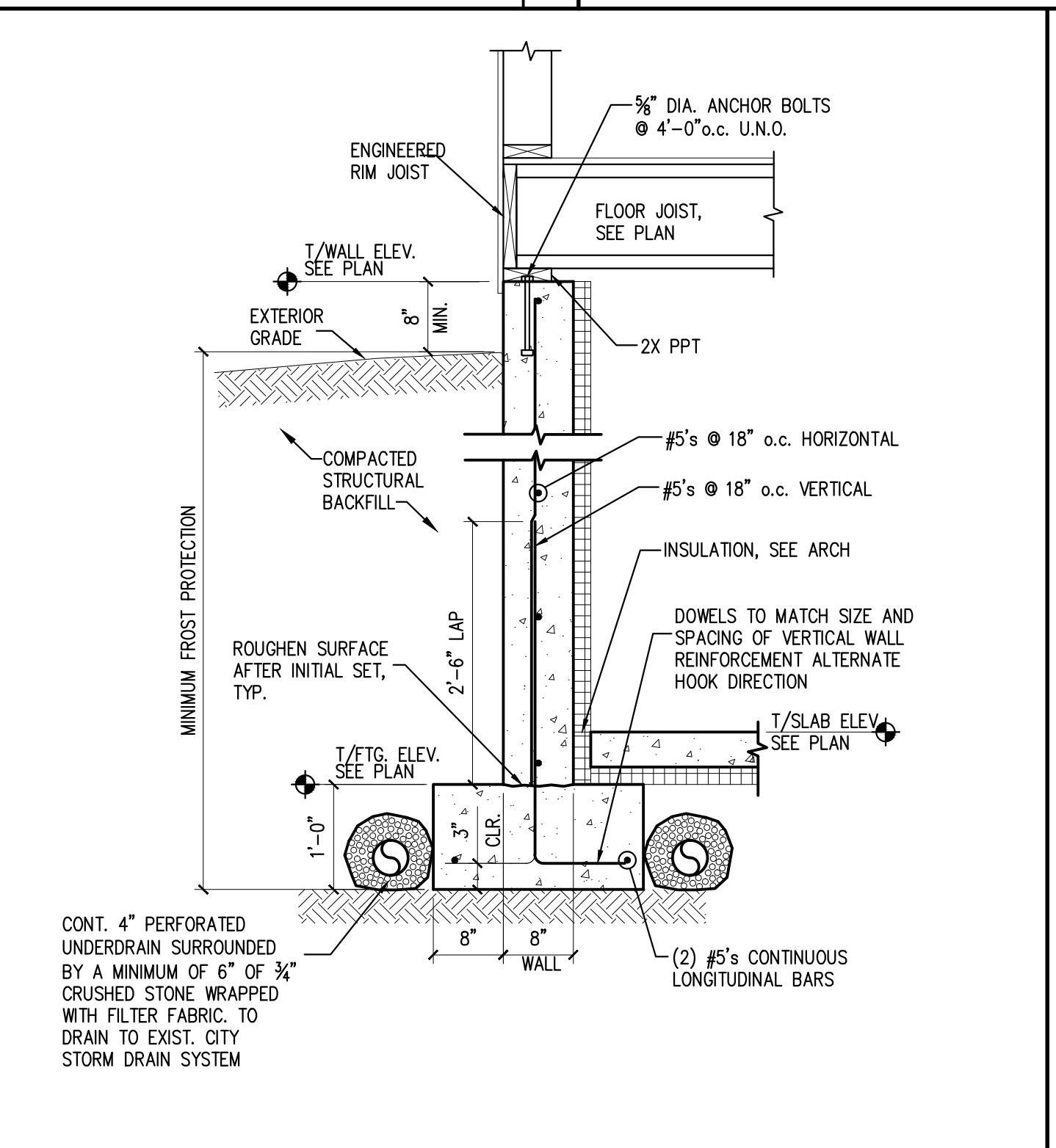
TYPICAL FOUNDATION WALL DETAILS SCALE: 3/4"=1'-0" 2



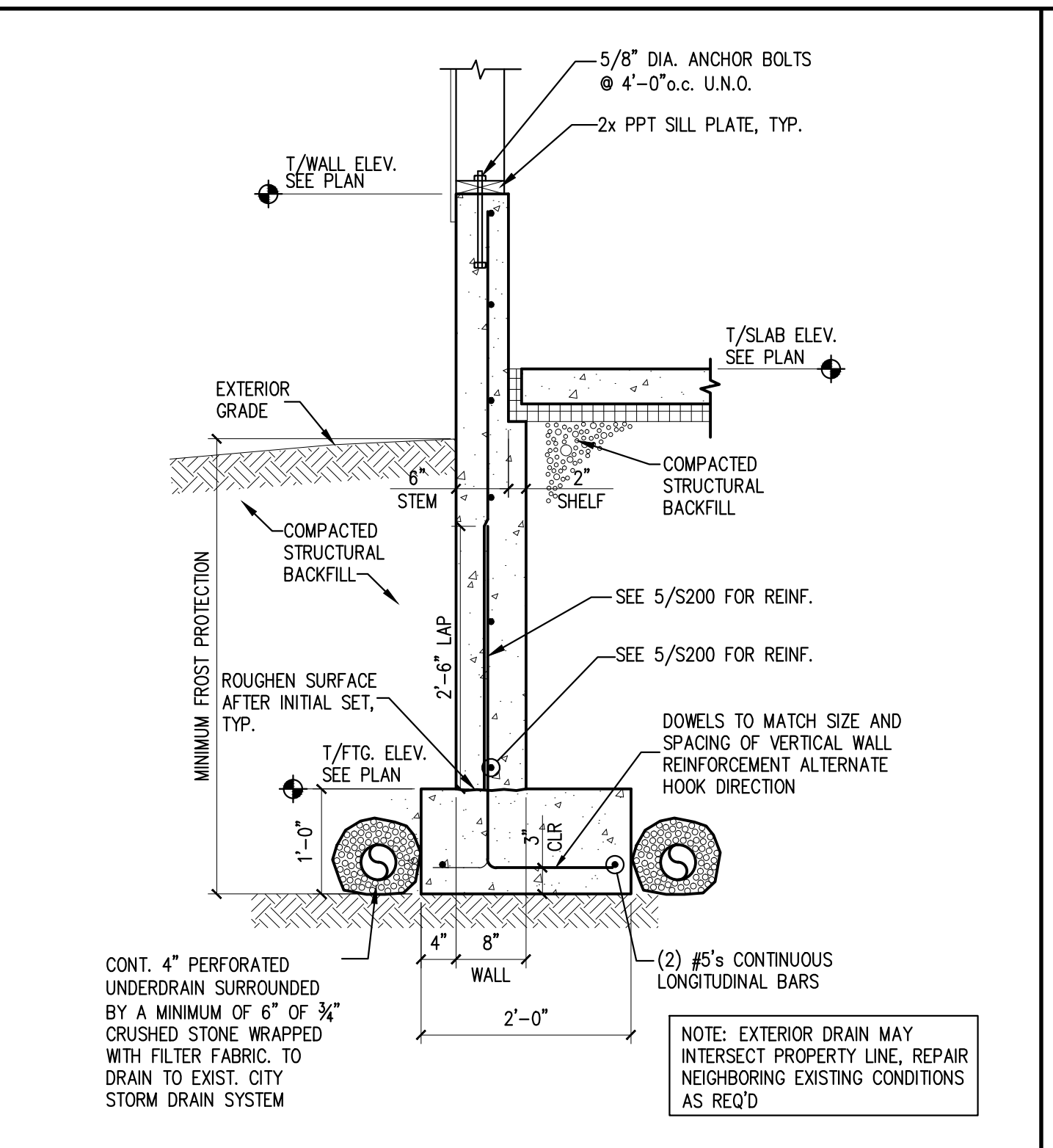
SECTION SCALE: 3/4"=1'-0" 3



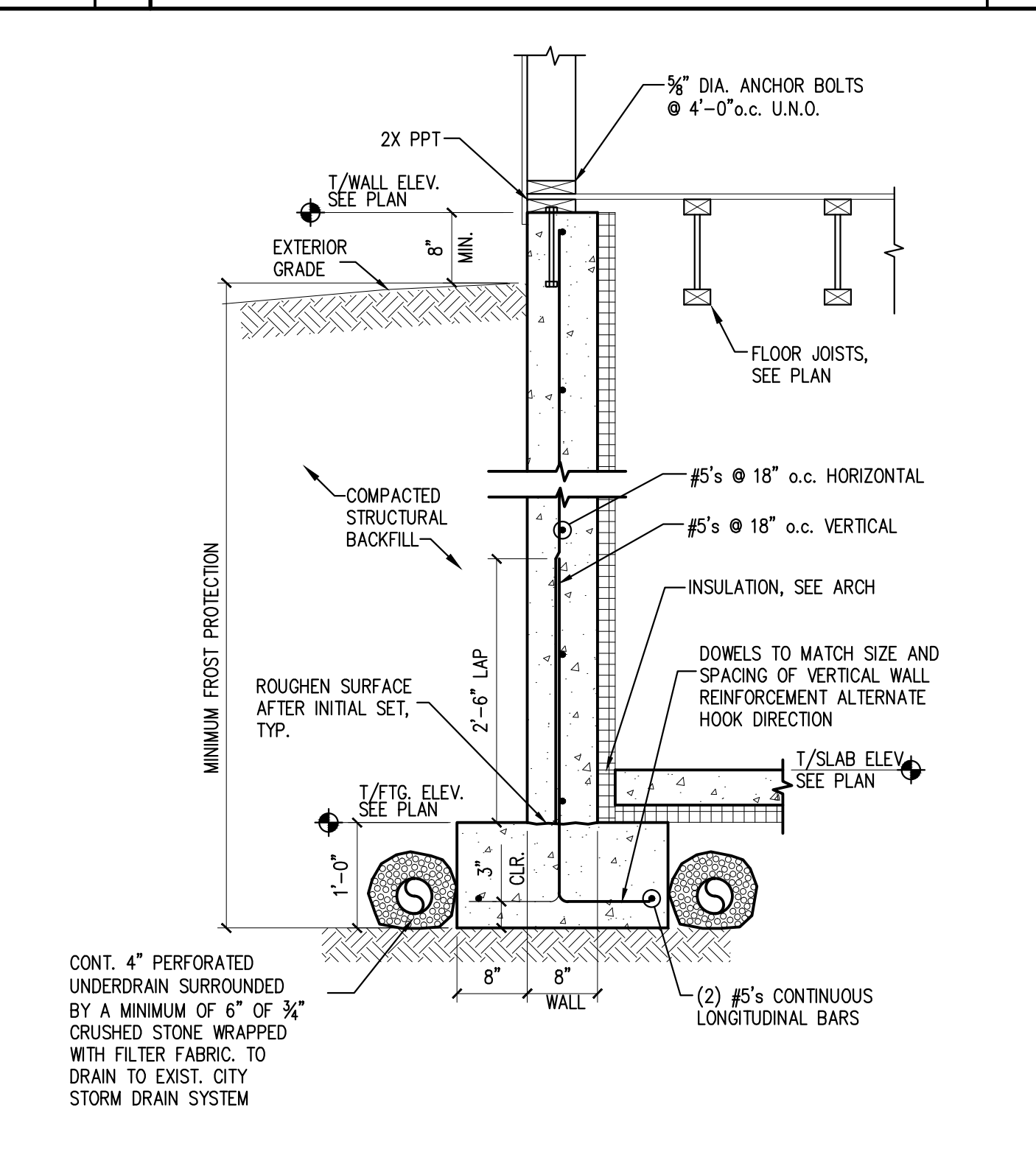
SECTION SCALE: 3/4"=1'-0" 4



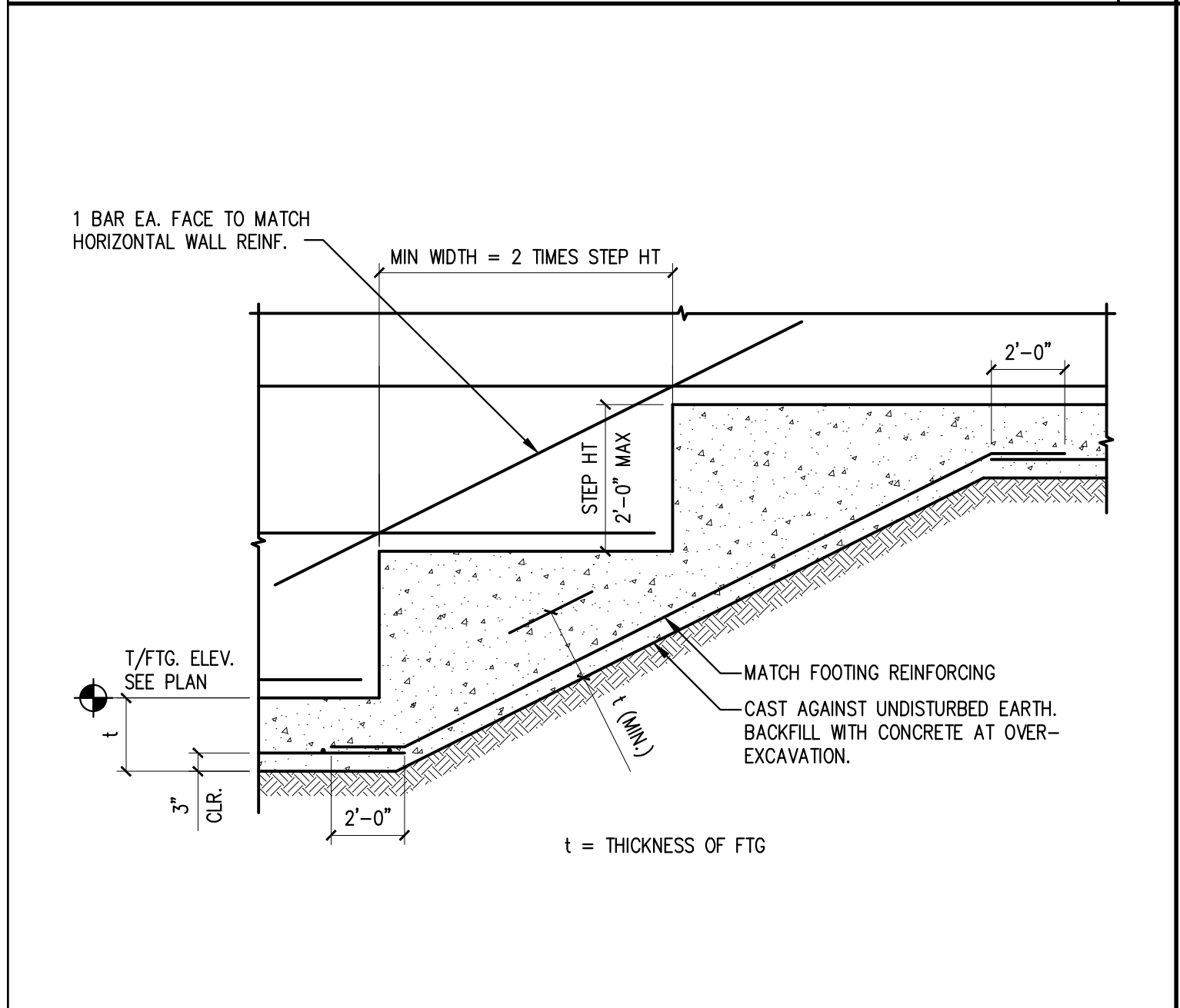
SECTION SCALE: 3/4"=1'-0" 5



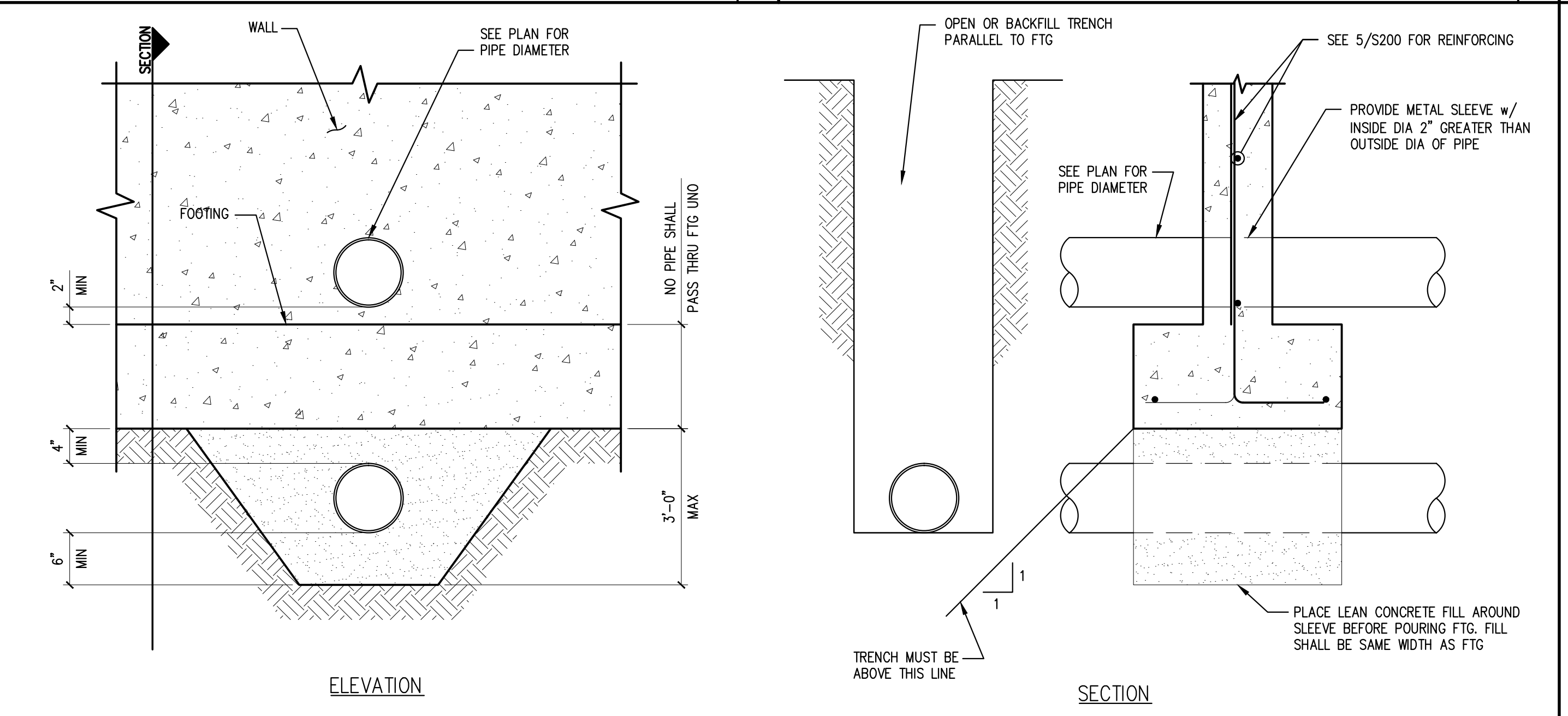
SECTION SCALE: 3/4"=1'-0" 6



SECTION SCALE: 3/4"=1'-0" 7



TYPICAL STEPPED FOOTING DETAIL SCALE: 1/2"=1'-0" 8



TYP. CONC. WALL OPENING DETAIL SCALE: 1"=1'-0" 9



SECTION SCALE: 3/4"=1'-0" -

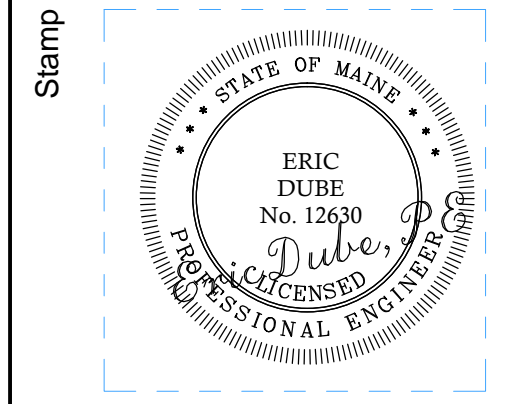
227 York Street
Residence - Portland, Maine

Architect:
Reiter Architecture & Design
PO Box 275 -- Brooklin, ME 04616
Tel. 207.359.2300

Structural & Civil Engineer:
Casco Bay Engineering
424 Fore Street -- Portland, ME 04101
Tel. 207.842.2800

MEP & Sprinkler Engineer:
Bennett Engineering
PO Box 297 -- Freeport, ME 04032
Tel. 207.865.9475

Drwg Date / Issued by / Drwg Issue
MAY 10, 2013 / FOR BUILDING DEPT. REVIEW AND BIDDING ONLY/ NOT FOR CONSTRUCTION



Drawing Title
Concrete Details

Drawing Number
S200