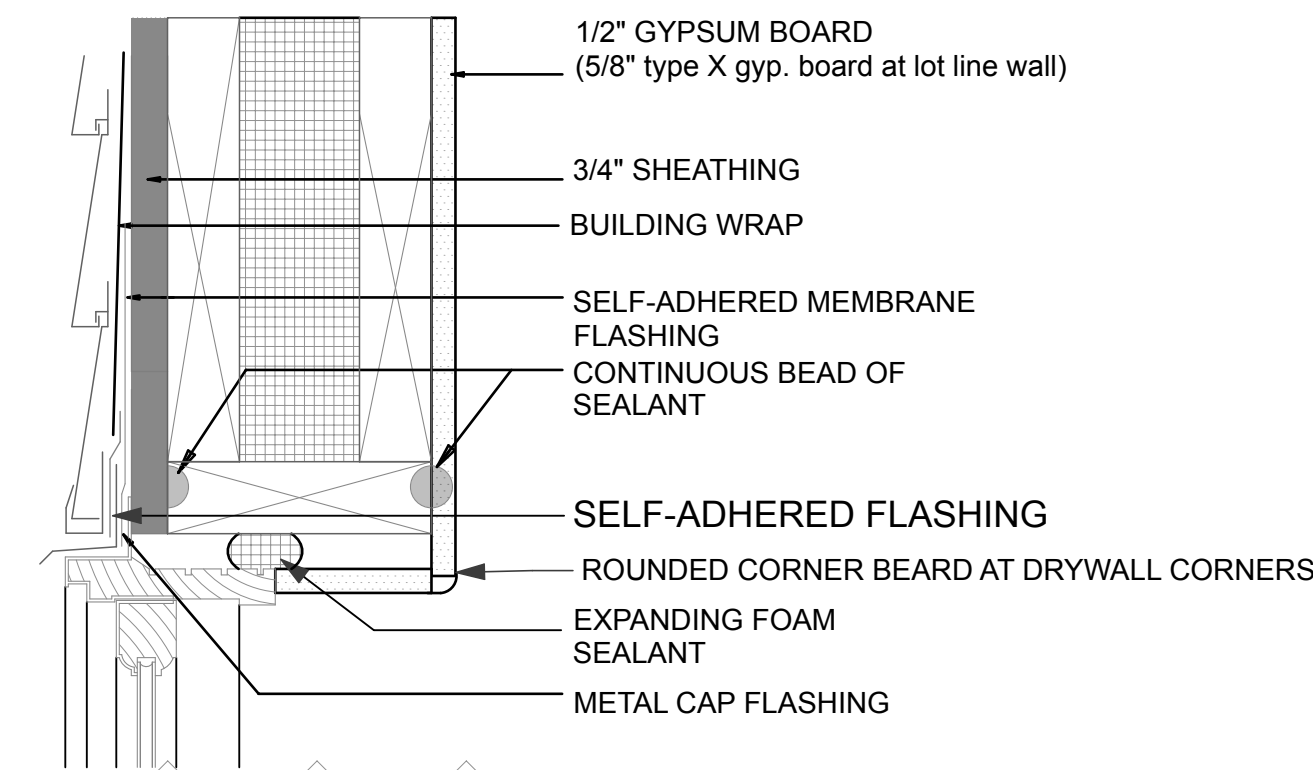


| Window List | | | | | | |
|---------------------|-------------|-------------|-------------|-------------|-------------|-------------|
| ID | W1 | W2 | W3 | W4 | W5 | W6 |
| Quantity | 1 | 2 | 1 | 4 | 4 | 2 |
| Wallhole Dimensions | 5'-0"x2'-0" | 3'-0"x6'-0" | 3'-0"x6'-0" | 2'-6"x3'-0" | 3'-0"x3'-0" | 3'-0"x4'-0" |
| Window head height | 7'-10" | 8'-0" | 8'-0" | 6'-0" | 6'-0" | 6'-8" |
| 3D Front View | | | | | | |

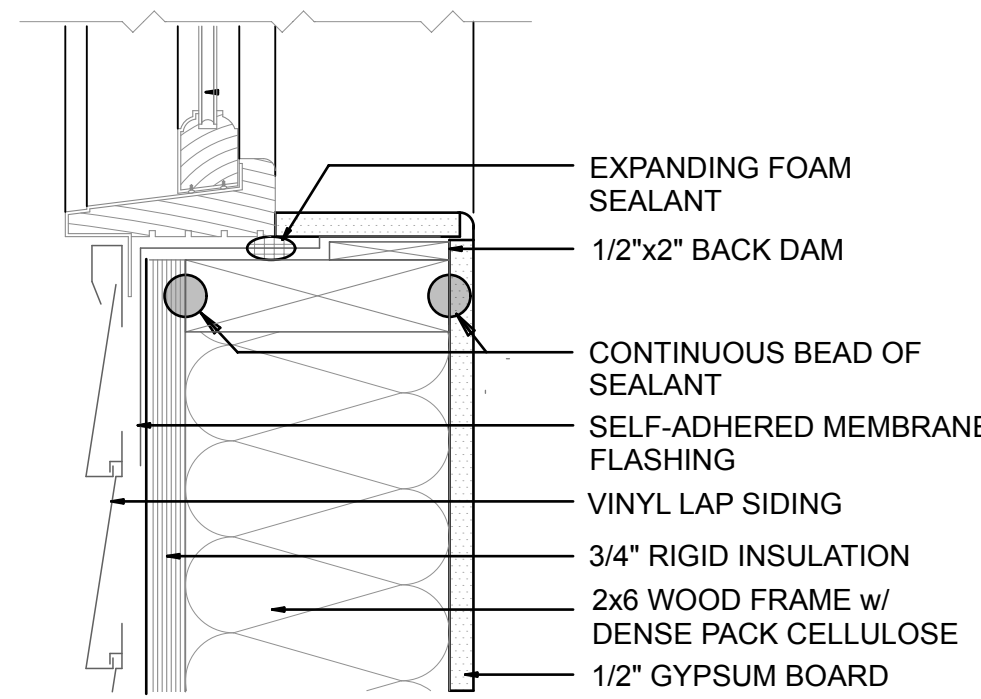
U-Value of Doors and windows .30

| Door List | | | | | | |
|------------------|--------------------|----------------|-------------|--------------------------|-------------|--------------|
| ID | D1 | D2 | D3 | D4 | D-5 | D-6 |
| Quantity | Part of Storefront | 1 | 2 | 2 | 4 | 3 |
| W x H Size | 3'-0"x8'-0" | Reuse existing | 6'-0"x6'-8" | 6'-0"x6'-8" | 2'-6"x6'-8" | 2'-10"x6'-8" |
| Door head height | 8'-0" | 6'-8" | 6'-8" | 6'-8" | 6'-8" | 6'-8" |
| 3D Front View | | | | | | |
| Transoms | N/A | N/A | N/A | D4 Transom 1'-4" X 6'-0" | N/A | N/A |
| 3D Front view | | | | | | |

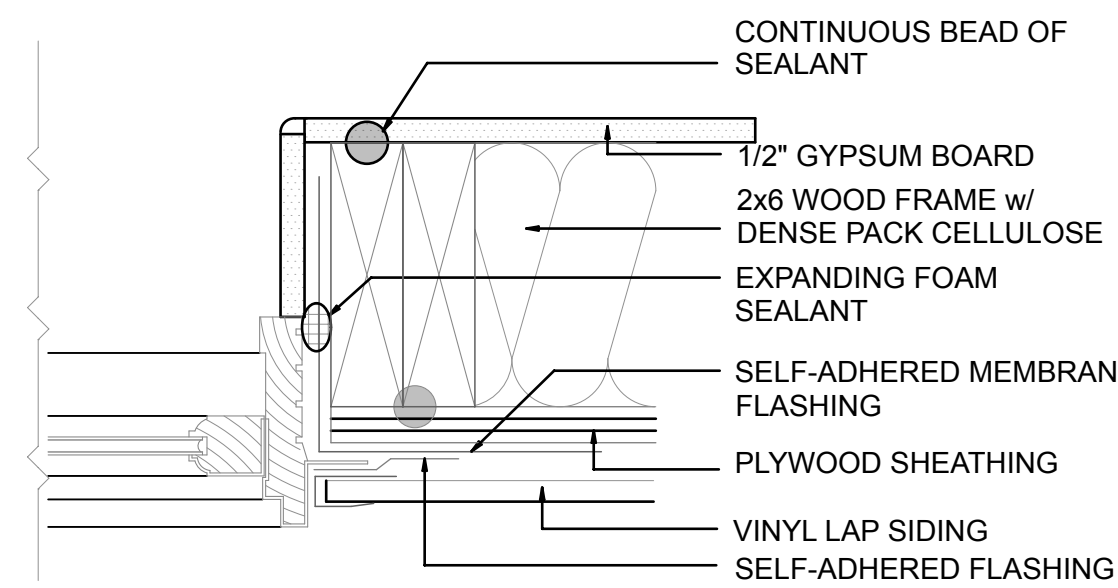


PARADIGM WINDOW
(Install per manufactures instructions)

LOT LINE WALL CONSTRUCTION
UL DESIGN U344 (NOT SHOWN)

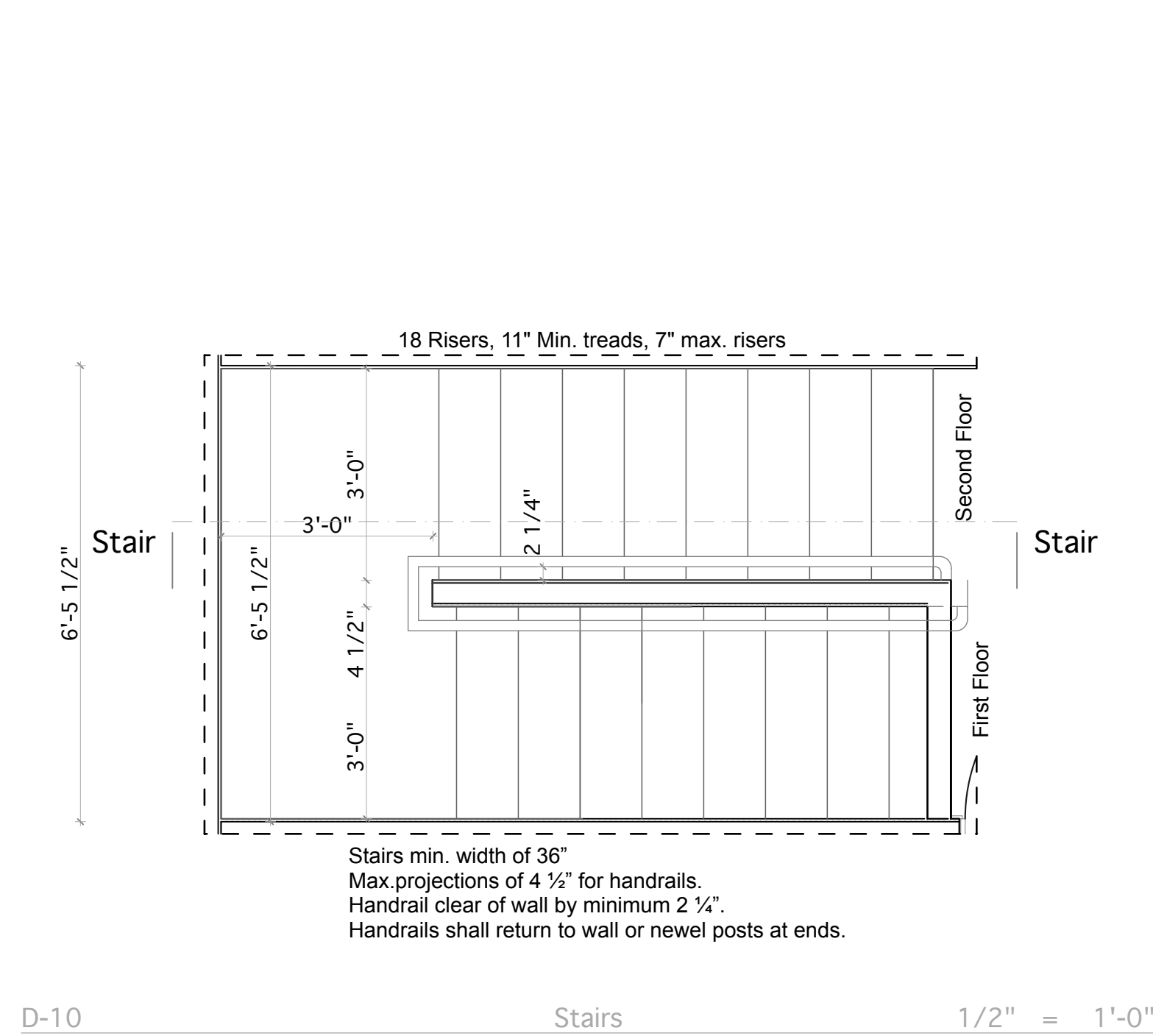


Window



Detail

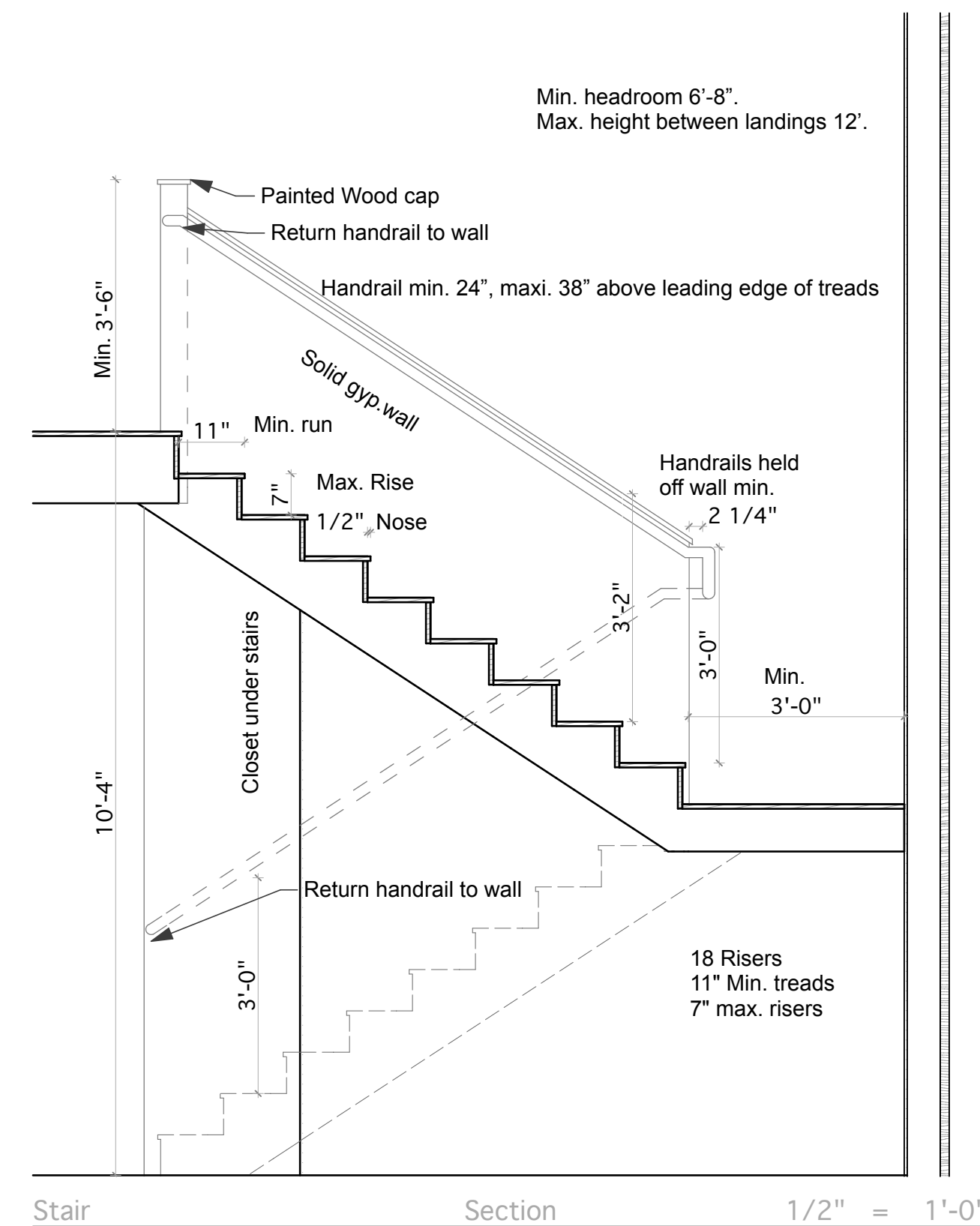
3" = 1'-0"



D-10

Stairs

1/2" = 1'-0"



Stair

Section

1/2" = 1'-0"

227 York Street
 Residence - Portland, Maine
 Document created by: Four Winds Design Mt. Desert ME. (207) 244-7976

Architect:
Reiter Architecture & Design
 PO Box 275 -- Brooklin, ME 04616
 Tel. 207.359.2300

Structural & Civil Engineer:
Casco Bay Engineering
 424 Fore Street -- Portland, ME 04101
 Tel. 207.842.2800

MEP & Sprinkler Engineer:
Bennett Engineering
 PO Box 297 -- Freeport, ME 04032
 Tel. 207.865.9475

Drwg Date / Issued by / Drwg Issue
 May 10, 2013
 For building dept. and bidding only



Drawing Title
Schedule & Stairs

Drawing Number
A7.1