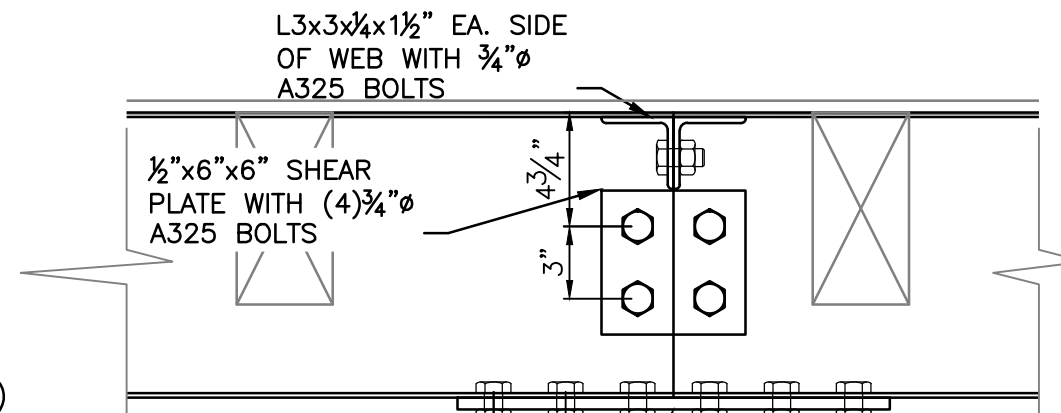


BUILDING SECTION

SCALE: 1/4" = 1'-0"

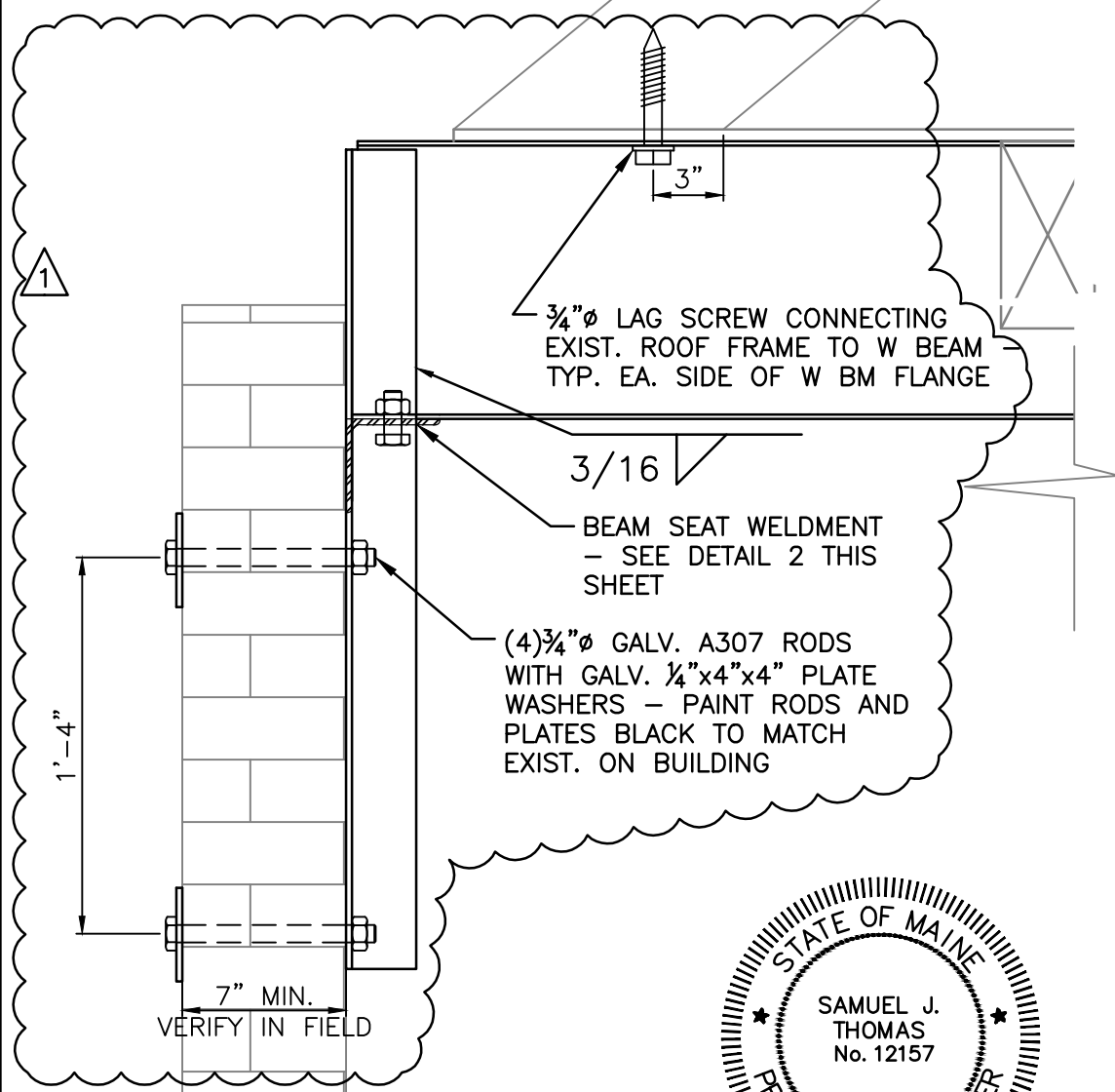
NOTES:

1. STEEL PLATE AND ANGLES SHALL BE ASTM A36
2. W BEAMS SHALL BE ASTM A992
3. ALL STEEL SHALL BE SHOP PRIMED EXCEPT AT SLIP CRITICAL BOLTS
4. ALL BOLTS SHALL BE ASTM A325 UNLESS NOTED OTHERWISE.
5. ALL WELDING SHALL UTILIZE E70XX ELECTRODES
6. FIELD VERIFY ALL DIMENSIONS PRIOR TO FABRICATION



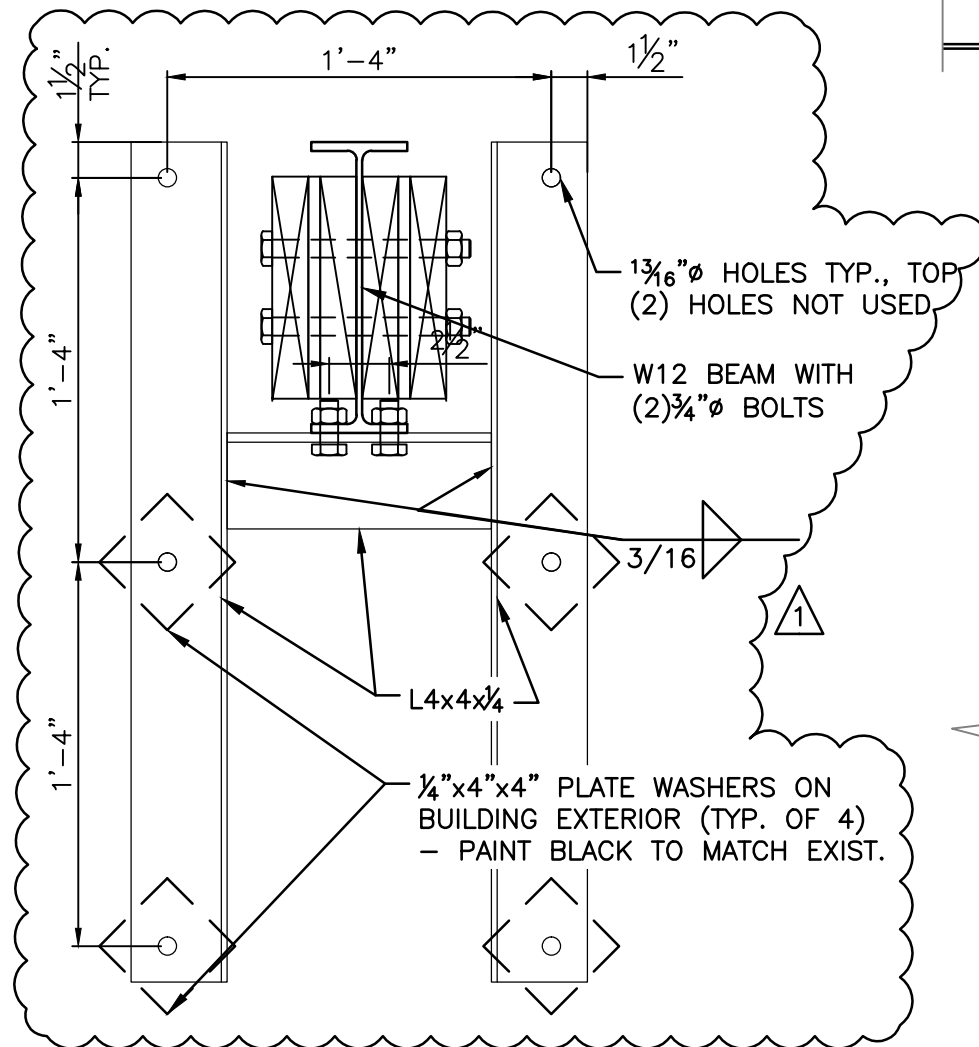
SECTION AT SPLICE

SCALE: 1 1/2" = 1'-0"



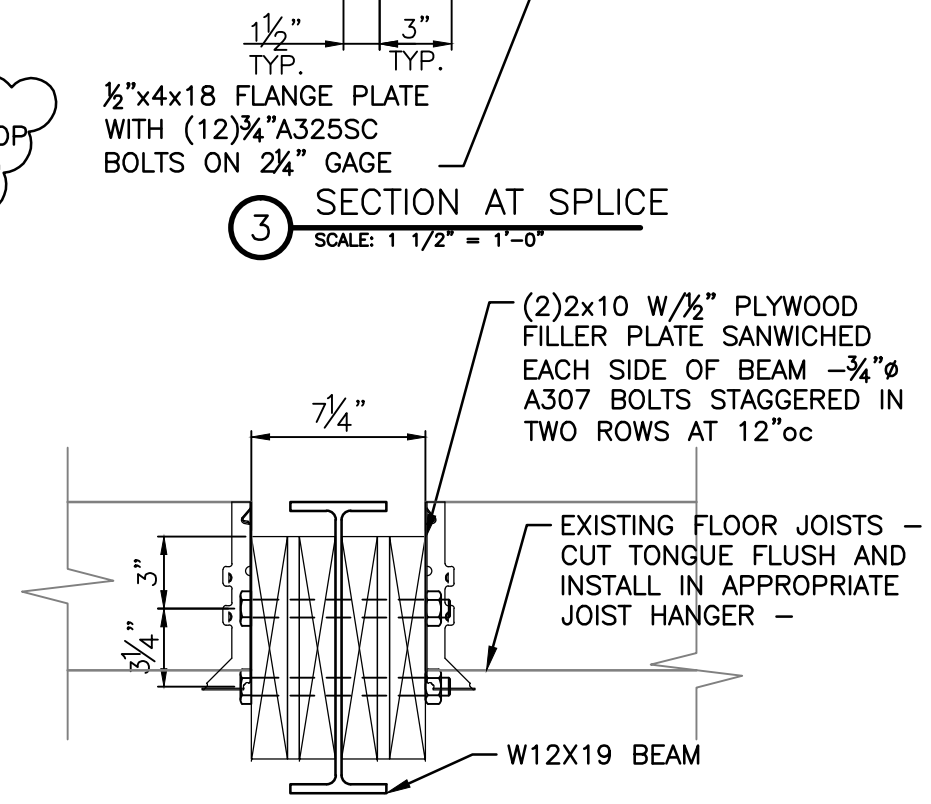
SECTION AT WALL

SCALE: 1 1/2" = 1'-0"



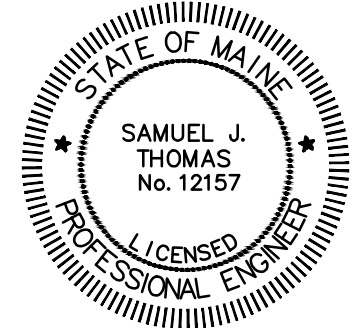
BEAM SEAT WELDMENT DETAIL

SCALE: 1 1/2" = 1'-0"

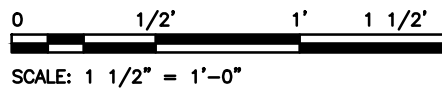


EXIST. JOIST TO STEEL BEAM DETAIL

SCALE: 1 1/2" = 1'-0"



Samuel J. Thomas
11-07-2014



SCALE: 1 1/2" = 1'-0"

PLEASE NOTE: THIS DOCUMENT MAY NOT ACCURATELY REPRESENT THE FINAL DOCUMENT. ONLY AN ENGINEER, ARCHITECT OR SURVEYOR SIGNED, SEALED AND DATED PAPER COPY, PROVIDED BY THIS OFFICE, MAY BE UTILIZED FOR BIDDING OR CONSTRUCTION PURPOSES.

| | | | |
|-----|----------------------------------|-------------------|-------------|
| | | ANTHONY FILIPPONE | |
| | | 225 YORK ST | |
| 1 | REVISED EXTER. WALL THICKNESS | SJT | SJT |
| 0 | REVISED, ISSUED FOR CONSTRUCTION | SJT | SJT |
| B | REVISED PER FIELD CONDITIONS | SJT | SJT |
| A | ISSUED FOR REVIEW | SJT | SJT |
| REV | DESCRIPTION | DWN BY | APP BY |
| | | DATE | DATE |
| | | PROJECT NO. | DRAWING NO. |
| | | 288.001.001 | SSK-1 |
| | | SHEET | 1 OF 1 |

Colby Company engineering
47A York Street
Portland, Maine 04101
207.553.7753
colbycoengineering.com

SIZE: AS NOTED
DATE: 5.16.14
DES BY: SJT
DWN BY: SJT
CKD BY: SJT

PROJECT NO. 288.001.001
SHEET 1 OF 1