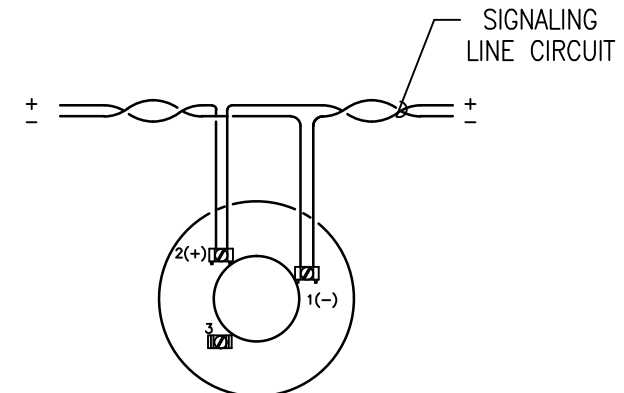
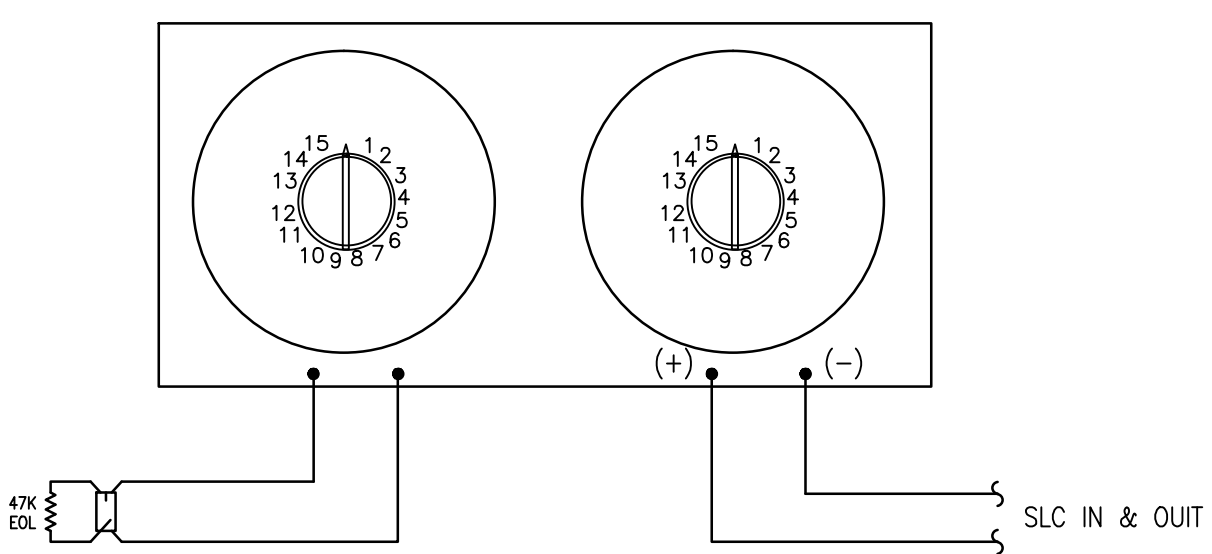


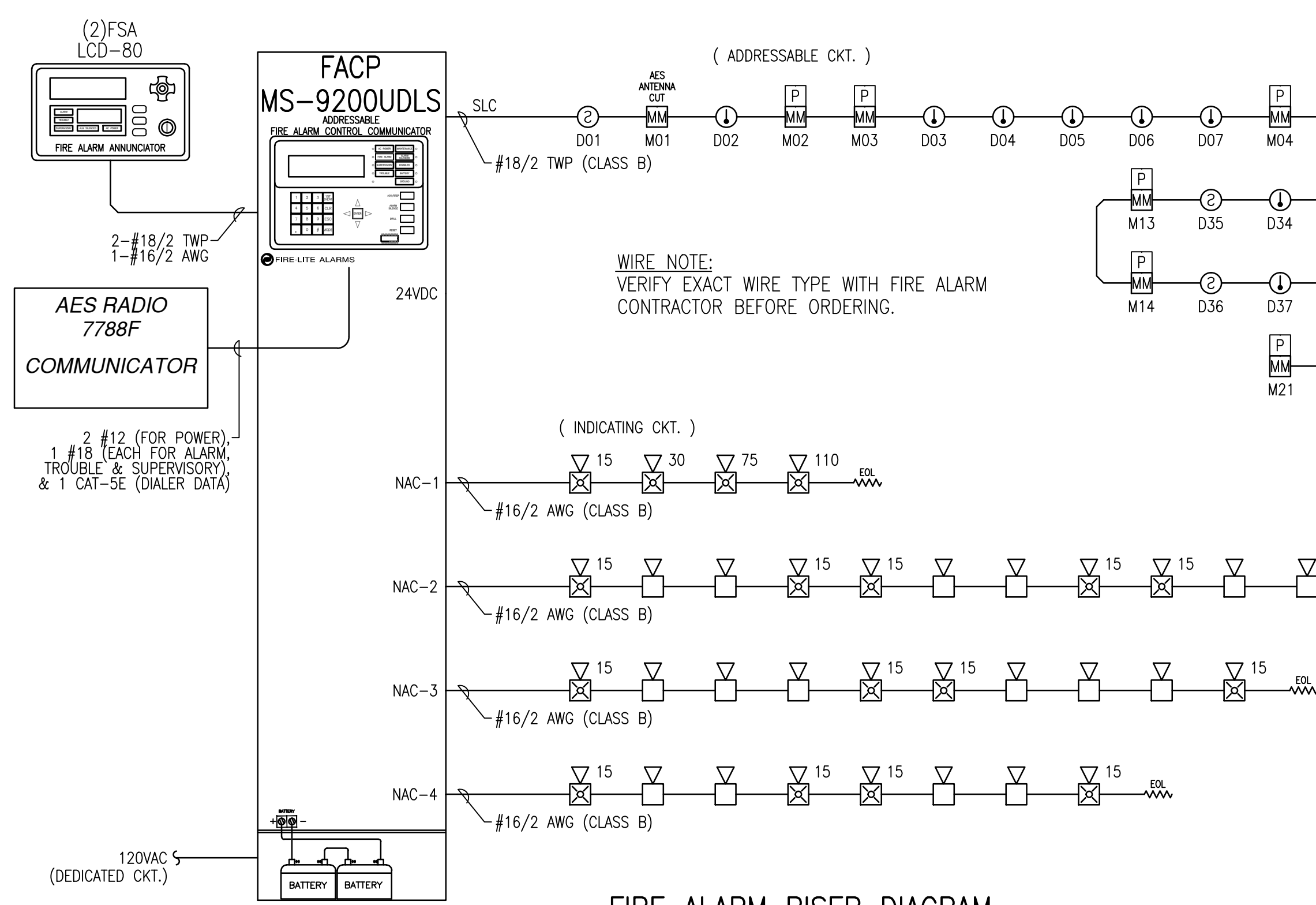
MANUAL PULL STATION WIRING DETAIL  
SCHEMATIC: NO SCALE



ADDRESSABLE DETECTOR WIRING DETAIL  
SCHEMATIC: NO SCALE



MINI MONITOR MODULE WIRING DETAIL  
SCHEMATIC: NO SCALE



FIRE ALARM RISER DIAGRAM  
SCHEMATIC: NO SCALE

GENERAL NOTES:

- SCOPE OF WORK: THIS PROJECT SHALL INCLUDE INSTALLATION OF ADDRESSABLE PANEL WITH AES RADIO, REMOTE ANNUNCIATORS AS INDICATED, SMOKE AND HEAT DETECTORS AS INDICATED, MINI MONITOR MODULES TO MONITOR DEVICES AS INDICATED, NOTIFICATION DEVICES AS INDICATED.
- THESE DRAWINGS ARE DIAGRAMMATIC. REFER TO THE ARCHITECTURAL DRAWINGS FOR EXACT DIMENSIONS.
- INSTALLATION SHALL COMPLY WITH NEC, NFPA 72 AND ALL OTHER APPLICABLE CODES AS REQUIRED BY THE LOCAL AUTHORITY HAVING JURISDICTION.
- WIRING DEPICTED ON THESE PLANS IS SCHEMATIC - ACTUAL WIRE LOCATIONS MAY DIFFER FROM THESE PLANS. WIRING SHALL BE PERFORMED AS ACTUAL BUILDING CONSTRUCTION CONDITIONS ALLOW AND TO MINIMIZE PENETRATIONS THROUGH AREA SEPARATION WALLS AND FIRE WALLS. THE USE OF A RACEWAY IS PERMITTED AS LONG AS NO 110V OR HIGHER VOLTAGE CABLES ARE IN THE SAME RACEWAY.
- FIRE RATINGS SHALL BE MAINTAINED FOR ALL PENETRATIONS THROUGH FIRE-RATED CONSTRUCTION.
- POWER FOR ALL FIRE ALARM PANELS AND FIRE ALARM POWER SUPPLIES MUST BE PROVIDED BY A DEDICATED AC BRANCH CIRCUIT. THE LOCATION OF THE BRANCH CIRCUIT BREAKER SHALL BE PERMANENTLY IDENTIFIED AT THE CONTROL UNIT AND SHALL HAVE A RED MARKING IN ACCORDANCE WITH NFPA 72.
- POWER-LIMITED AND NONPOWER-LIMITED CIRCUIT WIRING MUST REMAIN SEPARATED IN CABINET. ALL POWER-LIMITED CIRCUIT WIRING MUST REMAIN AT LEAST 0.25" AWAY FROM ANY NONPOWER-LIMITED CIRCUIT WIRING. FURTHERMORE, ALL POWER-LIMITED AND NONPOWER-LIMITED CIRCUIT WIRING MUST ENTER AND EXIT THE CABINET THROUGH DIFFERENT KNOCK OUTS AND/OR SEPARATE CONDUITS.
- WHEN UTILIZING CLASS "A" CIRCUITS, SEPARATE OUTGOING AND RETURN CONDUCTORS OF CLASS "A" CIRCUITS BY A MINIMUM OF 12" WHERE RUN VERTICALLY AND 48" WHERE RUN HORIZONTALLY.
- WHEN UTILIZING SHIELDED CABLE TIE SHIELDS THROUGH AND INSULATE AT EACH JUNCTION BOX. INSULATE AND TAPE BACK AT END.
- ALL FIRE ALARM CABLING SHALL BE ACCEPTABLE TO THE FIRE ALARM EQUIPMENT MANUFACTURER FOR THE INTENDED PURPOSE.
- SMOKE DETECTORS SHALL NOT BE INSTALLED UNTIL AFTER CONSTRUCTION CLEAN-UP IS COMPLETED AND FINAL.
- LOCATE SMOKE DETECTORS A MINIMUM OF THREE (3) FEET FROM MECHANICAL DIFFUSERS. WALL-MOUNTED SMOKE DETECTORS SHALL BE LOCATED A MINIMUM OF 4" AND A MAXIMUM OF 12" FROM CEILING.
- PROVIDE SYNCHRONIZATION OF ALL VISUAL NOTIFICATION APPLIANCE CIRCUITS. PROVIDE ALL REQUIRED SYNC MODULES. PROVIDE A MULTI-SYNC MODE SLAVE CONNECTION BETWEEN ALL SYNC MODULES.
- VERIFY ALL FIELD SELECTABLE AUDIBILITY SETTINGS OF NOTIFICATION APPLIANCES WITH FIRE ALARM CONTRACTOR.
- UPON COMPLETION OF THE FIRE ALARM SYSTEM INSTALLATION AND PROGRAMMING, THE INSTALLING CONTRACTOR SHALL PERFORM FINAL TESTING OF THE ENTIRE SYSTEM, PER ALL APPLICABLE CODES, AND SHALL COORDINATE AND PERFORM A FINAL FIRE ALARM SYSTEM INSPECTION.
- PROVIDE OFF-SITE MONITORING AS REQUIRED BY THE INTERNATIONAL FIRE CODE, SECTION 907.6.5 AND THE LOCAL AUTHORITY HAVING JURISDICTION.
- INSTALLING CONTRACTOR SHALL, PHYSICALLY, LABEL ALL INITIATING DEVICES AND NOTIFICATION APPLIANCE CIRCUIT END OF LINE (WHEN WIRING CLASS "B"). THESE LABELS SHALL BE IN PLACE PRIOR TO START-UP AND TESTING.

FIRE ALARM SYMBOL LEGEND		
NOTE: ALL SYMBOLS MAY NOT BE USED ON THIS PROJECT		
SYMBOL	DESCRIPTION	MOUNTING
[FCP]	FIRE ALARM CONTROL PANEL	WALL-TOP @ 66"
[FPS]	FIRE ALARM POWER SUPPLY	FIELD VERIFY
[FSA]	FIRE SYSTEM ANNUNCIATOR	WALL-TOP @ 66"
[FSD]	FIRE/SMOKE DAMPER	BY OTHERS
⊙	SMOKE DETECTOR	CEILING
⊙	DUCT SMOKE DETECTOR	BY OTHERS
⊙	HEAT DETECTOR	CEILING
[CM]	ADDRESSABLE CONTROL MODULE	FIELD VERIFY
[MM]	ADDRESSABLE MONITOR MODULE	FIELD VERIFY
[P]	MANUAL PULL STATION	WALL @ 48"
[R]	CONTROL RELAY (MULTI-VOLTAGE)	FIELD VERIFY
[RM]	ADDRESSABLE RELAY MODULE	FIELD VERIFY
[M]	MAGNETIC DOOR HOLDER	FIELD VERIFY
[WFS]	WATER FLOW SWITCH	BY OTHERS
[VSS]	VALVE SUPERVISORY SWITCH	BY OTHERS
[B]	BELL	BY OTHERS
⊙	CEILING MOUNT STROBE	FIELD VERIFY
⊙	CEILING MOUNT HORN / STROBE	FIELD VERIFY
⊙	CEILING MOUNT SPEAKER / STROBE	FIELD VERIFY
⊙	CEILING MOUNT SPEAKER	FIELD VERIFY
⊙	HORN	WALL @ 10'-0"
⊙	HORN / STROBE	WALL 80"-96"
⊙	SPEAKER / STROBE	WALL 80"-96"
⊙	SPEAKER	WALL @ 90"
⊙	STROBE	WALL 80"-96"

ABBREVIATION	DESCRIPTION
E	EXISTING
G	WITH GUARD
P	PENDENT MOUNT
R	RESIDENTIAL (110V)
S	SOUNDER BASE
WP	WEATHER PROOF
EOL	END OF LINE RESISTOR
EOLR	END OF LINE RELAY
AWG	AMERICAN WIRE GAUGE
TWP	TWISTED PAIR
TWSP	TWISTED SHIELDED PAIR
FPLP	FIRE POWER LIMITED PLENUM
FPLR	FIRE POWER LIMITED RISER
NAC	NOTIFICATION APPLIANCE CIRCUIT
SLC	SIGNALLING LINE CIRCUIT

SYMBOL	DESCRIPTION
⊙	DEVICE ADDRESS
⊙	L10001 OR D01
(L - DENOTES LOOP #)	
(D or M - DENOTES DETECTOR OR MODULE #)	

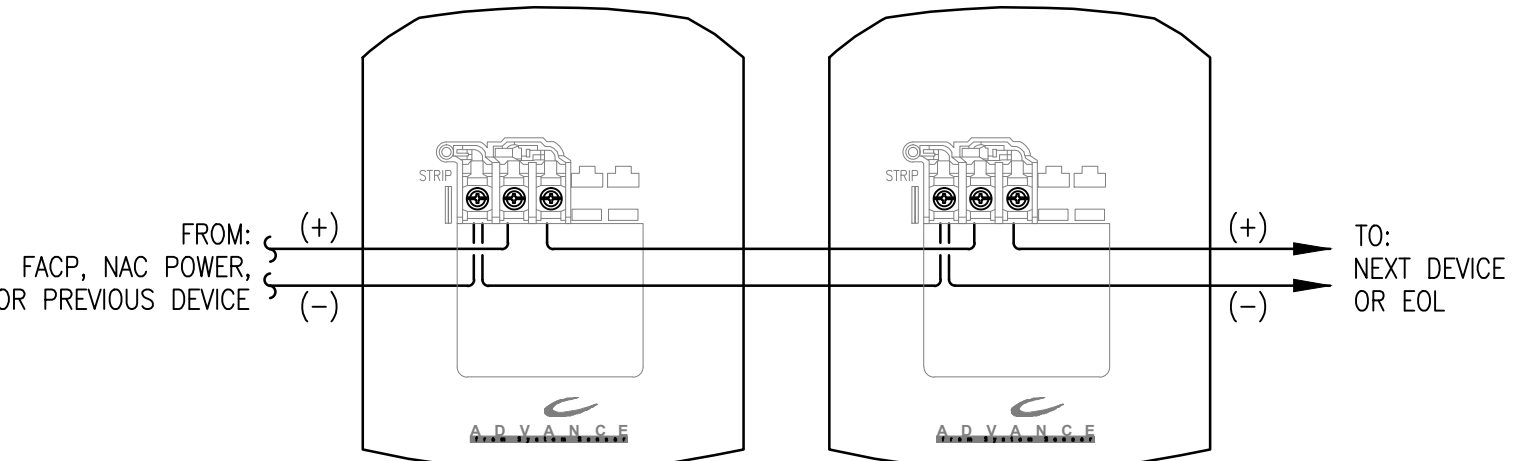
  

SYMBOL	DESCRIPTION
1-#16/2 TWP	WIRE TYPE ABBREVIATED
CONDUCTOR COUNT	CONDUCTOR COUNT
WIRE SIZE	WIRE SIZE
# OF CABLES (IF OMITTED ONLY 1 CABLE NEEDED)	# OF CABLES (IF OMITTED ONLY 1 CABLE NEEDED)

APPLICABLE CODES:

MAINE UNIFORM ENERGY & BUILDING CODE  
PORTLAND CITY CODE, CHAPTER 10, FIRE PREVENTION & PROTECTION  
NFPA 1, FIRE CODE, & NFPA 101, LIFE SAFETY CODE

OPERATIONS MATRIX		FIRE ALARM OUTPUT					
		ACTIVE ALARM INDICATOR	ACTIVE AUDIBLE ALARM	ACTIVE TROUBLE INDICATOR	TRANSMIT ALARM SIGNAL	TRANSMIT TROUBLE SIGNAL	ACTIVE NOTIFICATION APPLIANCES
FIRE ALARM INPUT							
SMOKE DETECTORS		●	●				●
HEAT DETECTORS		●	●				●
PULL STATIONS		●					●
FIRE ALARM AC POWER FAIL				●			●
FIRE ALARM LOW BATTERY				●			●
OPEN CIRCUIT				●			●
GROUND FAULT				●			●
NAC SHORT CIRCUIT				●			●
LOSS OF AC TO BUILDING				●			●



TYPICAL 2 WIRE STROBE WIRING DETAIL  
SCHEMATIC: NO SCALE

REVISION	DESCRIPTION	DATE
0	ISSUED FOR REVIEW & APPROVAL	9/14/2017

**SEACOAST SECURITY**

4 Summer Street • Freeport, Maine 04032  
Office: (207) 706-3369 • Fax: (207) 865-0852

30-32 STATE STREET  
PORTLAND, MAINE  
CALCS, DETAILS, LEGEND, MATRIX, NOTES

DRAWN	JPB UNICAD JOB #17617
CHECKED	BRADY B. HAWES NICET III 138751
DATE	9/14/2017
REVISION	0
SCALE	1/4"=1'-0"

shop drawings created by  
5794 W. 4900 St.  
Hesper, UT 84313  
Office: 801.985.0410

**UNICAD** Inc.  
Fire Alarm Design & Drafting Services