

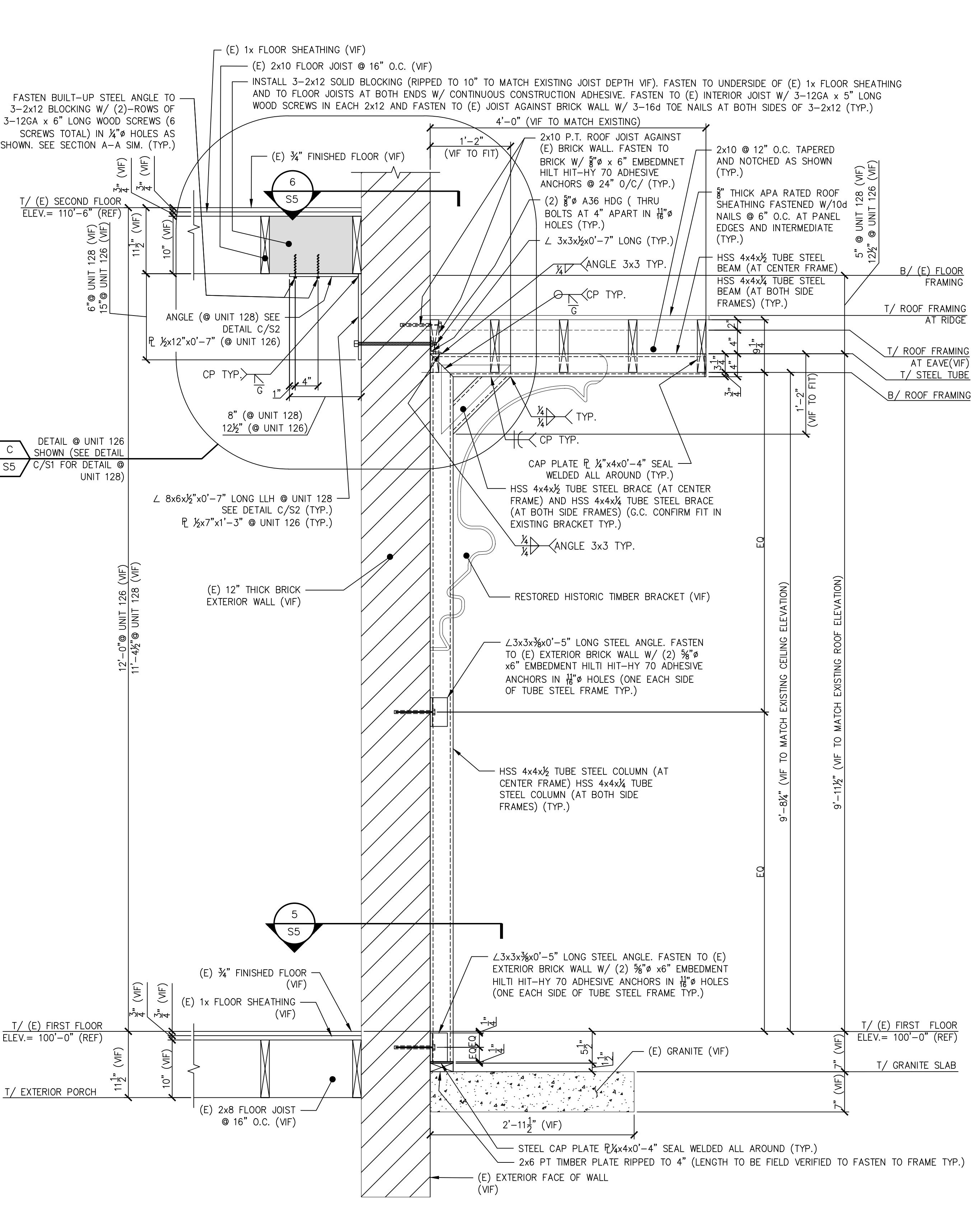
rev.	date	description

designed by: JHL	drawn by: JHL
checked by: JHL	scale: AS NOTED
date: 11/30/2016	plot date: 02/24/2017
project # 27113B	

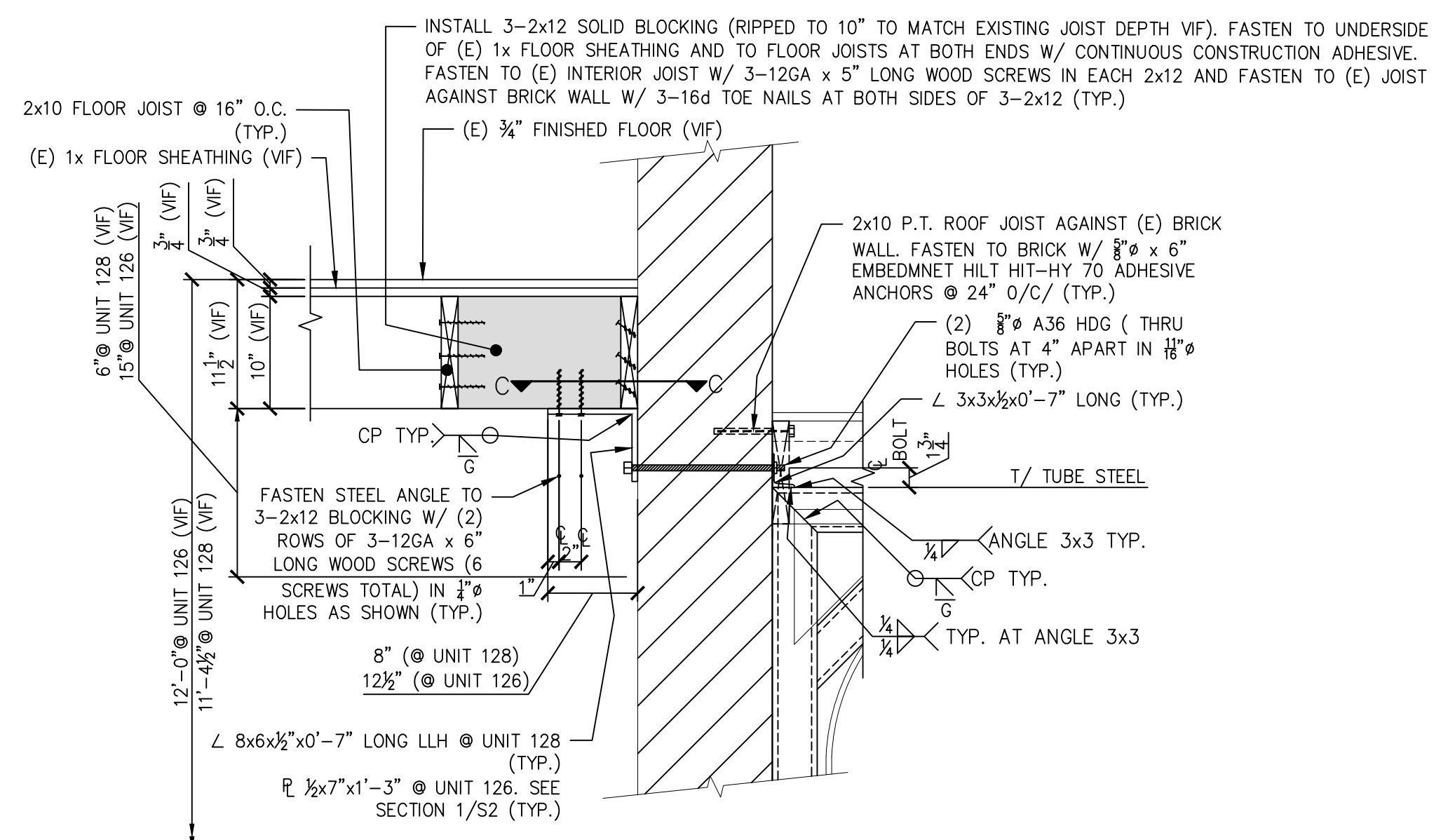
BUILDING LOCATED AT
 126/128 DANFORTH STREET
 PORTLAND, MAINE
 FRONT ENTRY ROOF/DECK REPAIR
 SECTIONS AND DETAILS

S5

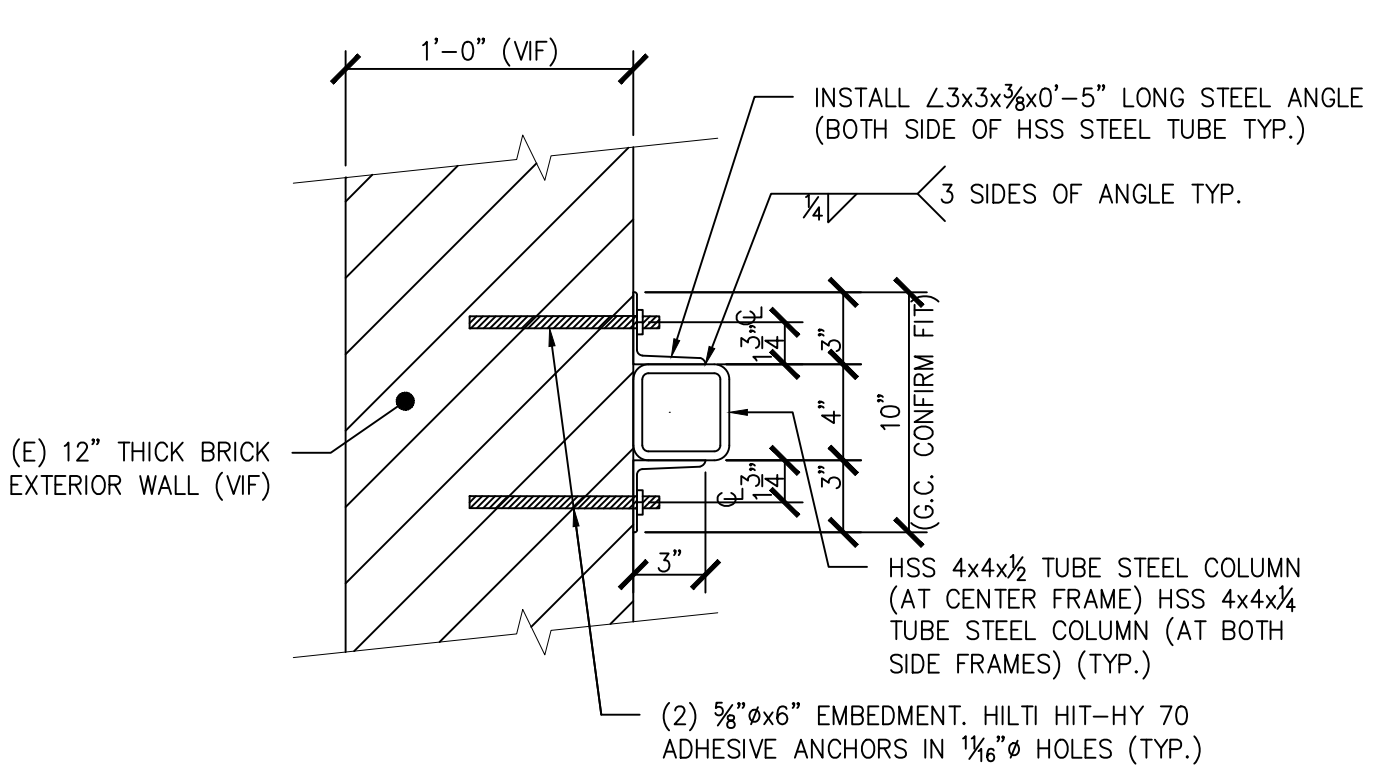
THESE DRAWINGS HAVE BEEN DEVELOPED BY L&L STRUCTURAL ENGINEERING SERVICES, INC. FOR THE TITLED SET ONLY. THE DRAWINGS ARE THE SOLE PROPERTY OF L&L ENGINEERING SERVICES, INC. AND THEY SHALL NOT BE USED, LENT, COPIED OR ALTERED WITHOUT THE WRITTEN CONSENT OF L&L STRUCTURAL ENGINEERING SERVICES, INC.



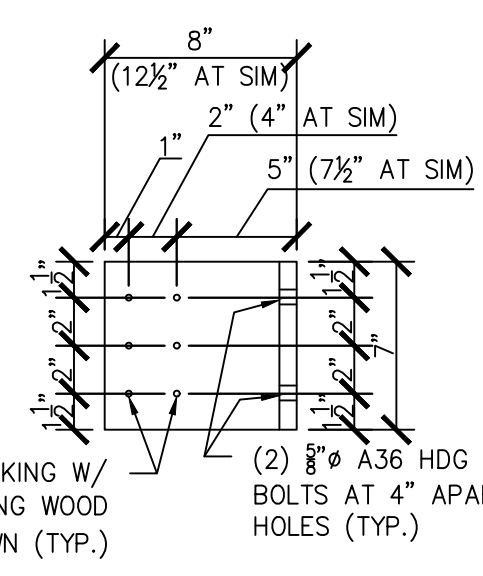
SECTION 4
 1" = 1'-0"



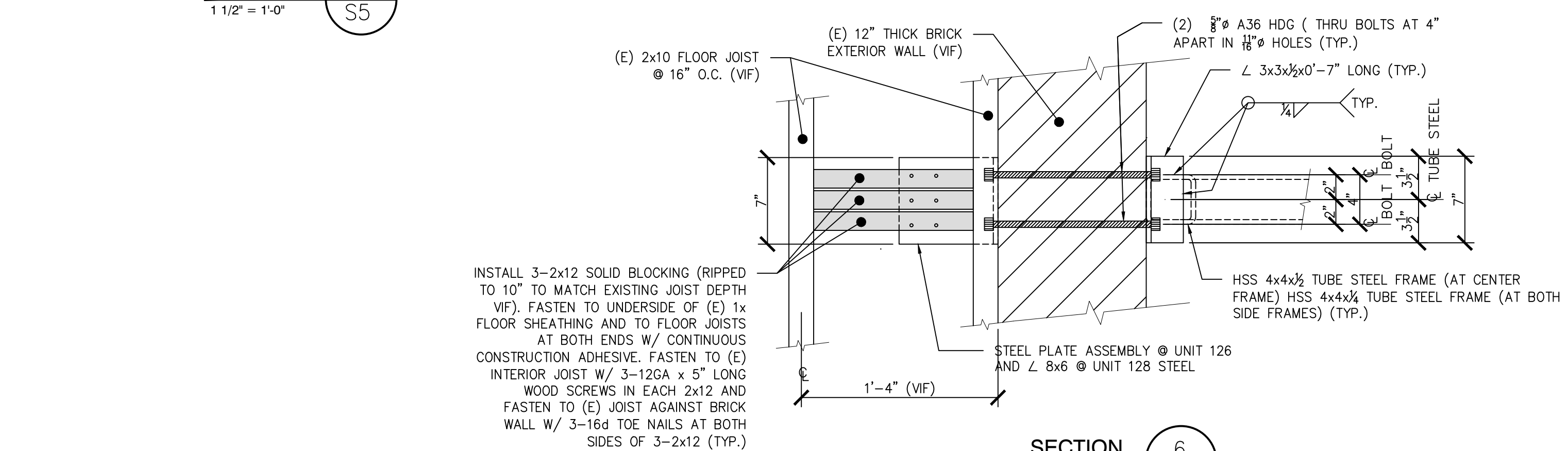
DETAIL C TYP. AT UNIT 128
 1" = 1'-0"



SECTION 5
 1 1/2" = 1'-0"



SECTION C-C
 1 1/2" = 1'-0"



SECTION 6
 1 1/2" = 1'-0"