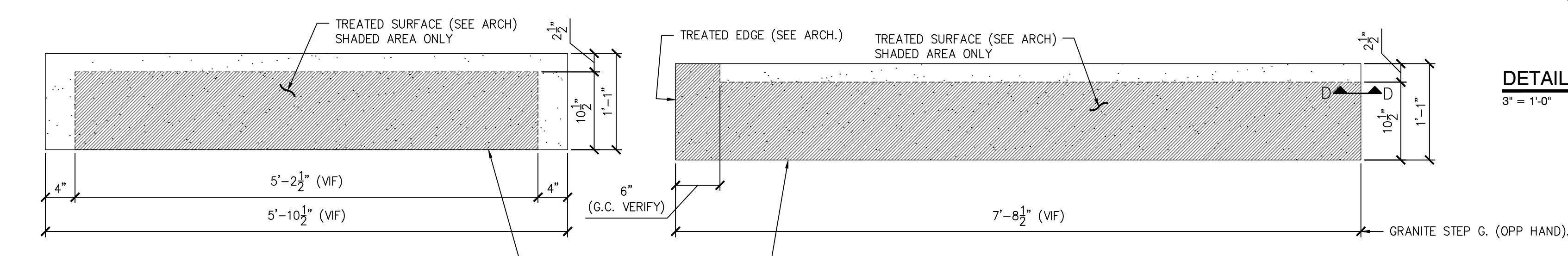
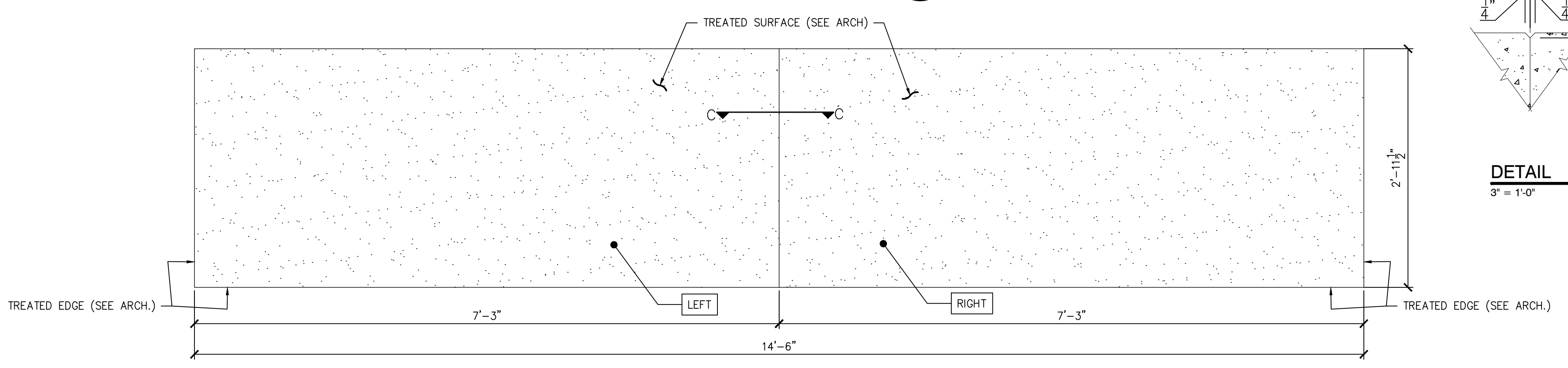
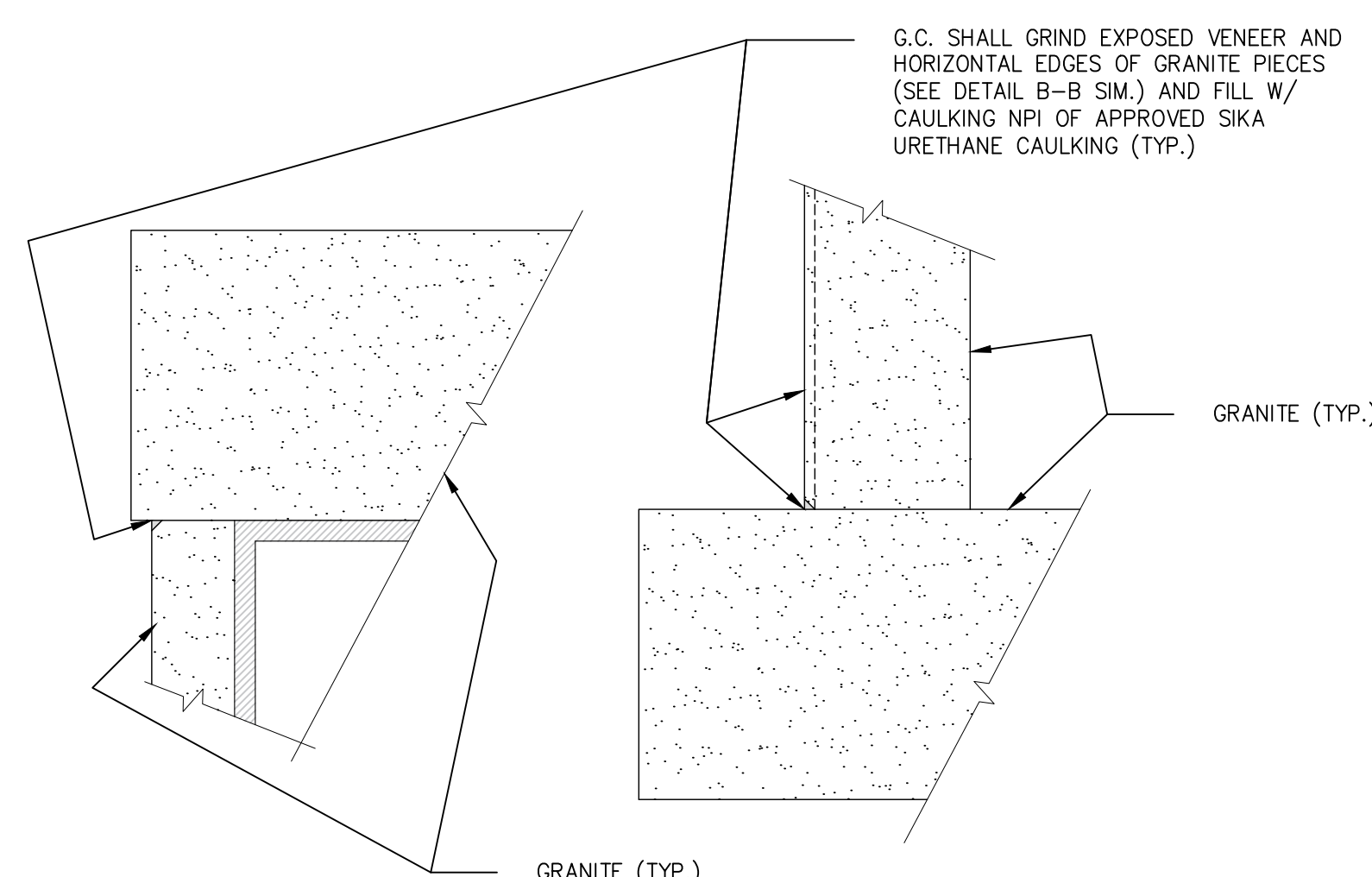
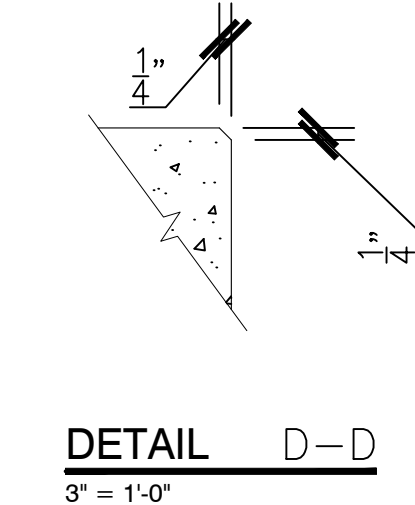
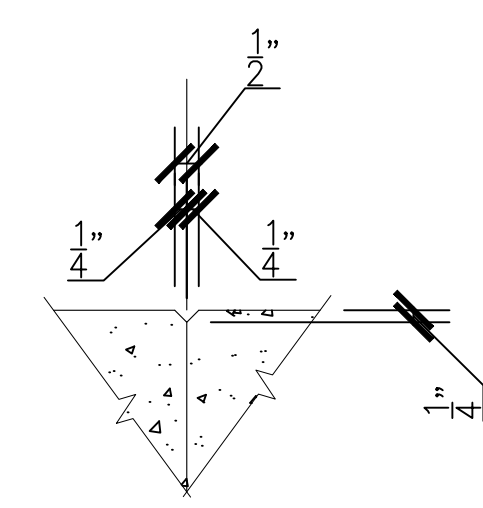
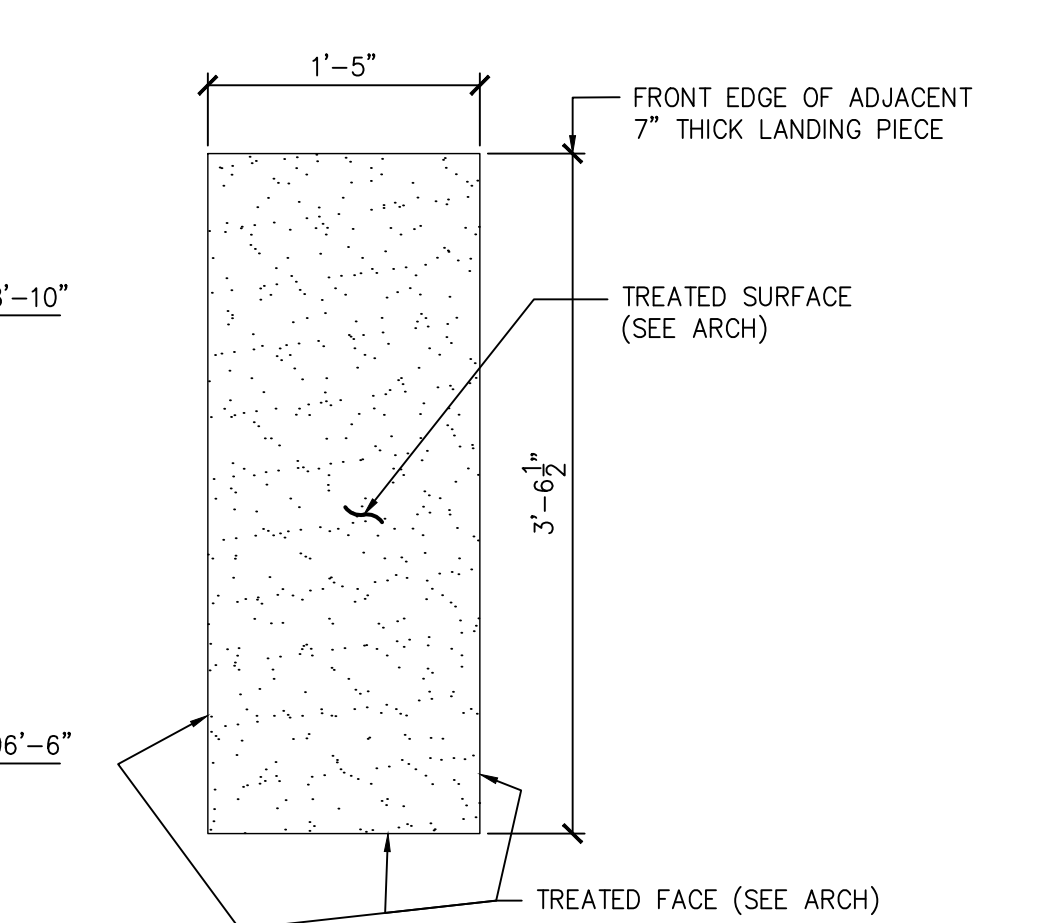
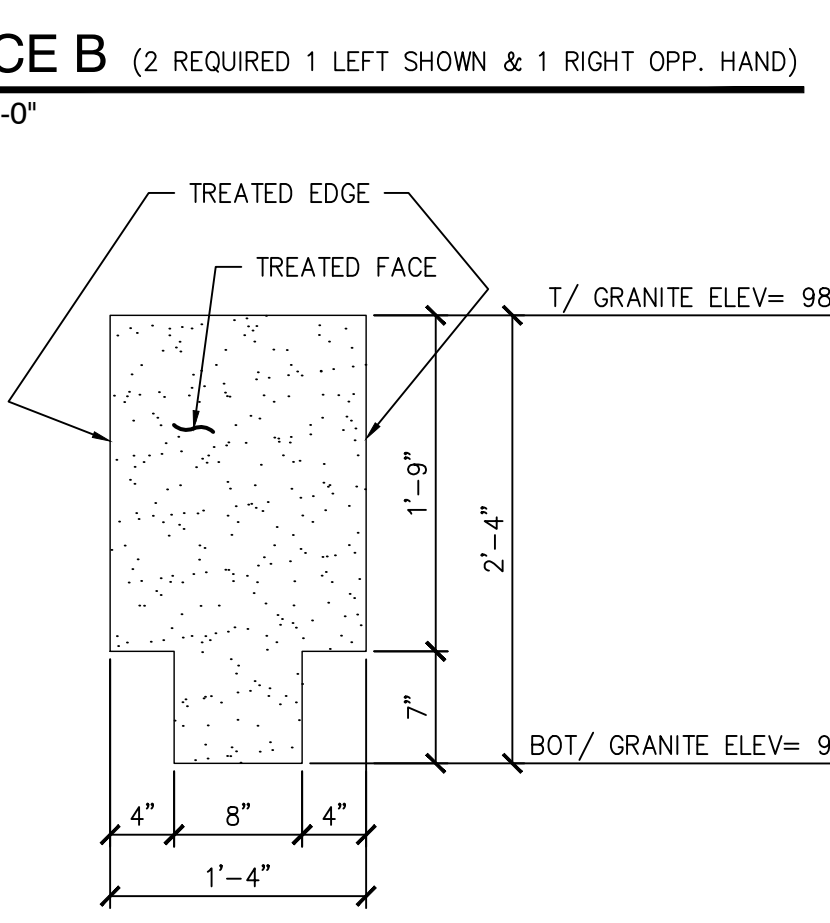
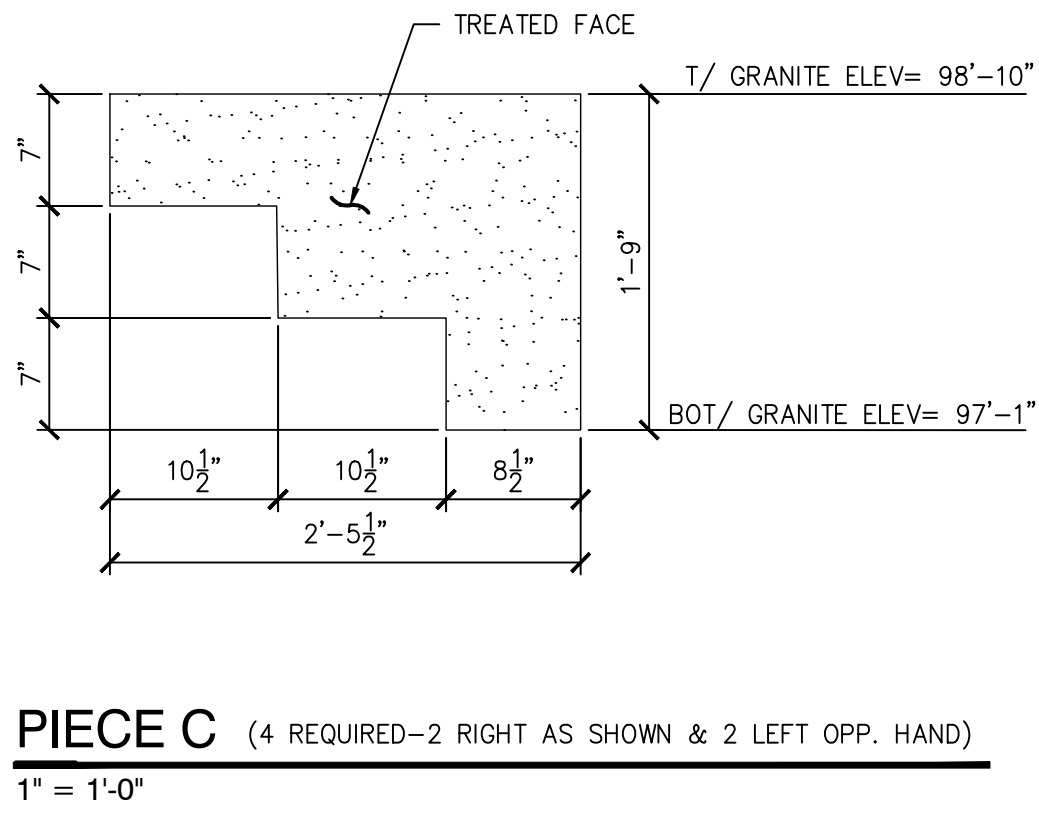
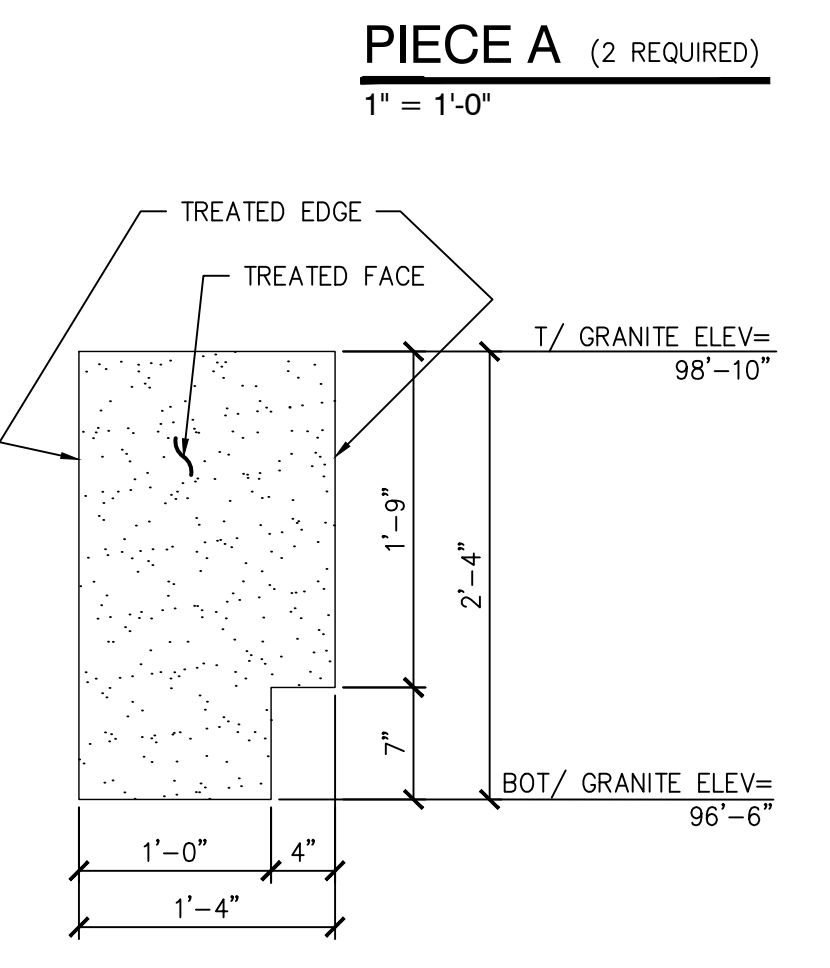
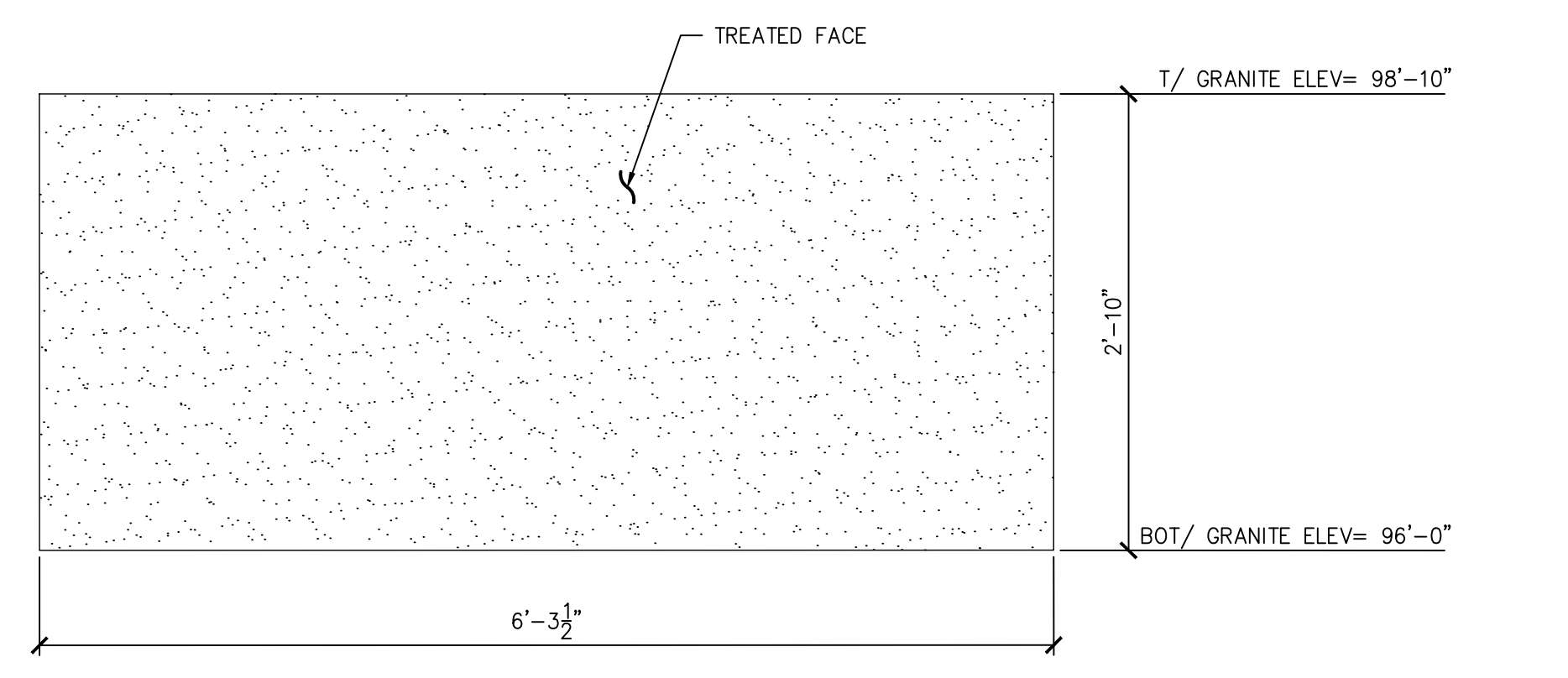
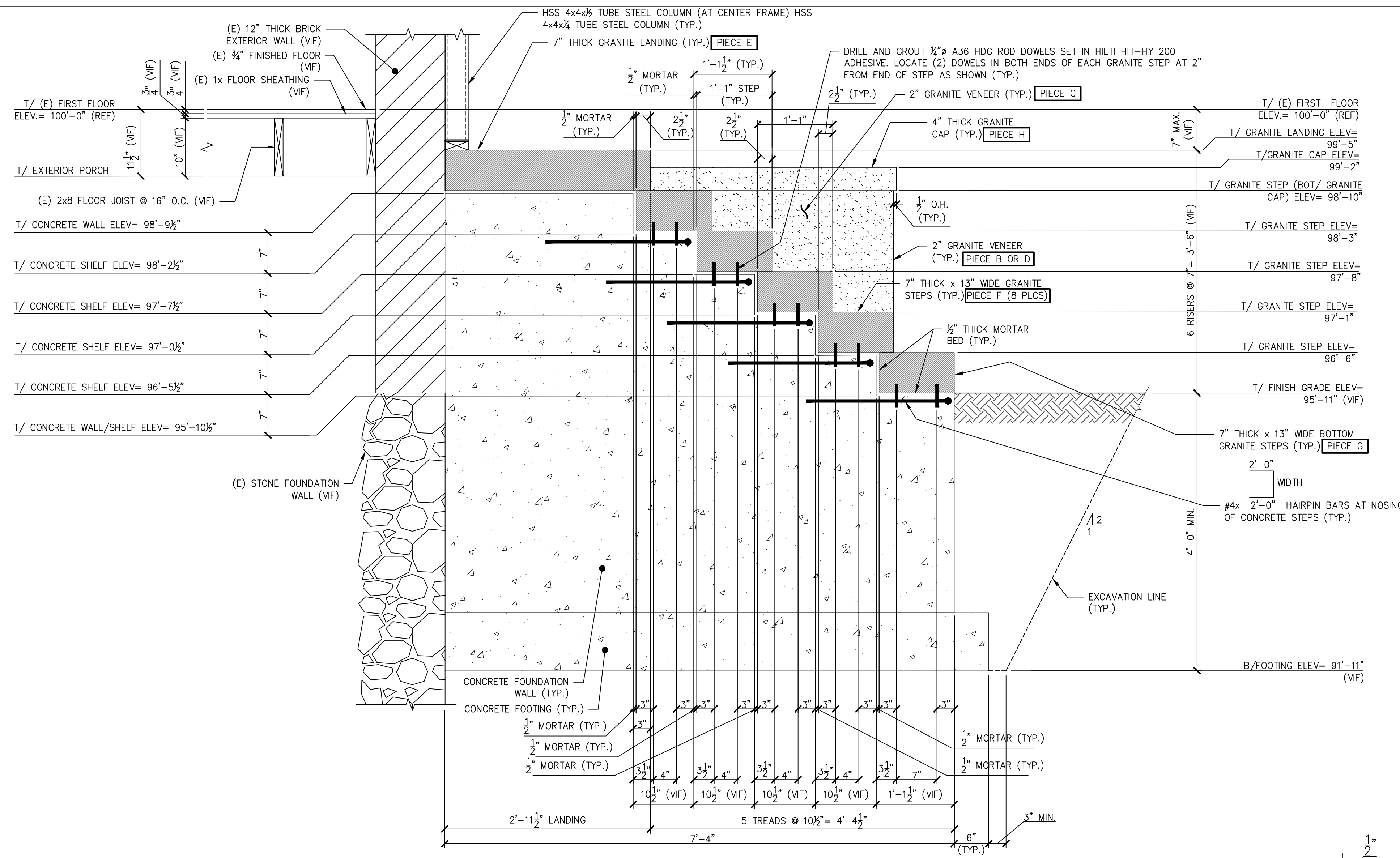


rev.	date	description

designed by: JHL  
 drawn by: JHL  
 checked by: JHL  
 scale: AS NOTED  
 date: 11/20/2016  
 plot date: 02/28/2017  
 project #: 271158



THESE DRAWINGS HAVE BEEN DEVELOPED BY L&L STRUCTURAL ENGINEERING SERVICES, INC. FOR THE TITLED SET ONLY. THE DRAWINGS ARE THE SOLE PROPERTY OF L&L ENGINEERING SERVICES, INC. AND THEY SHALL NOT BE USED, LENT, COPIED OR ALTERED WITHOUT THE WRITTEN CONSENT OF L&L STRUCTURAL ENGINEERING SERVICES, INC.