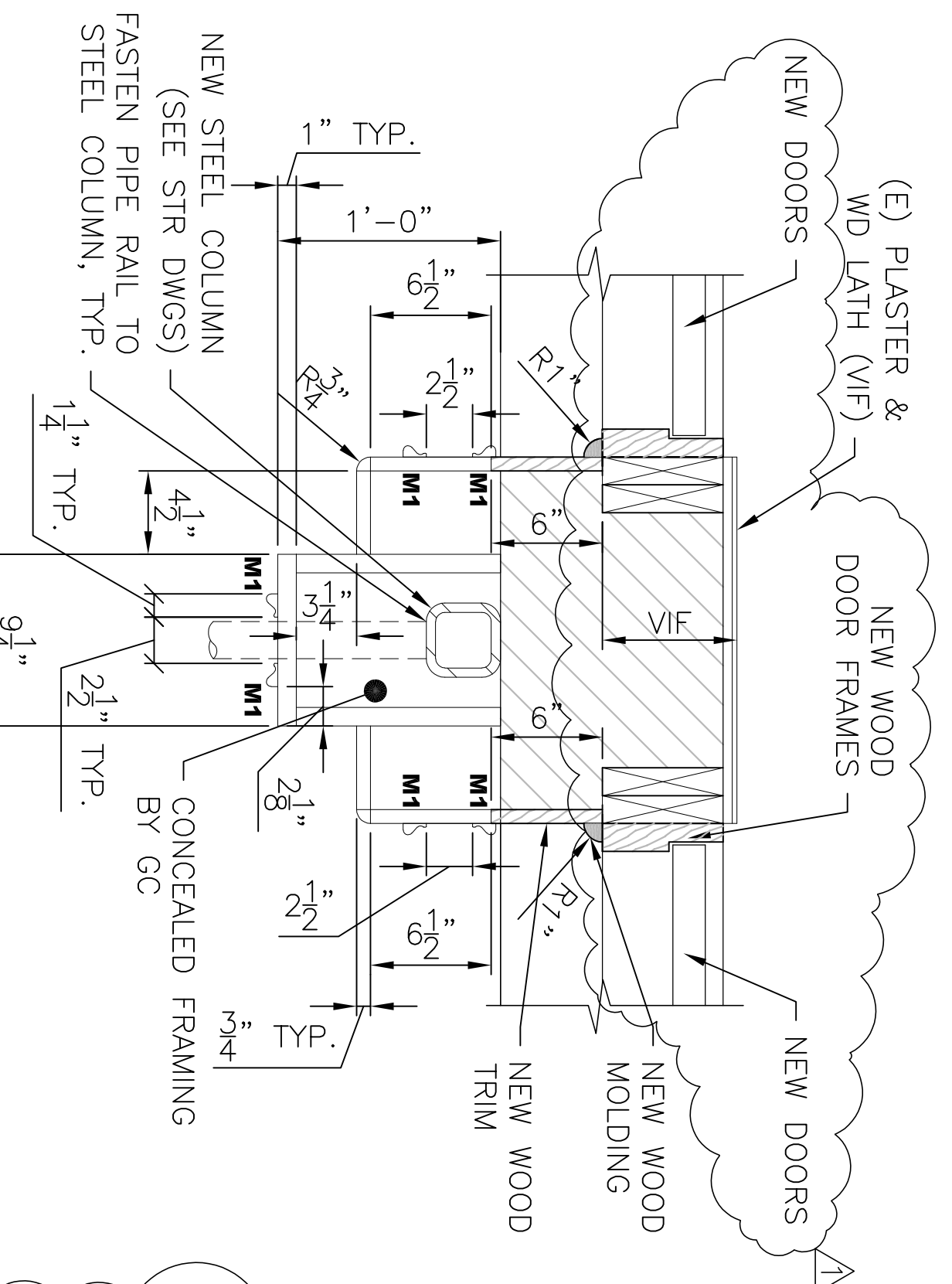
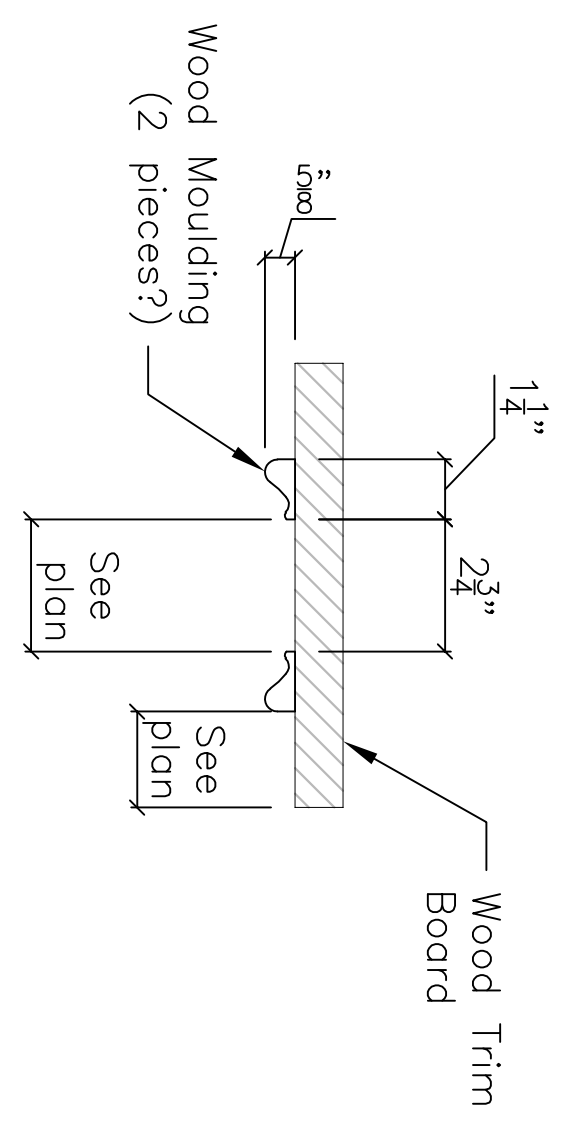


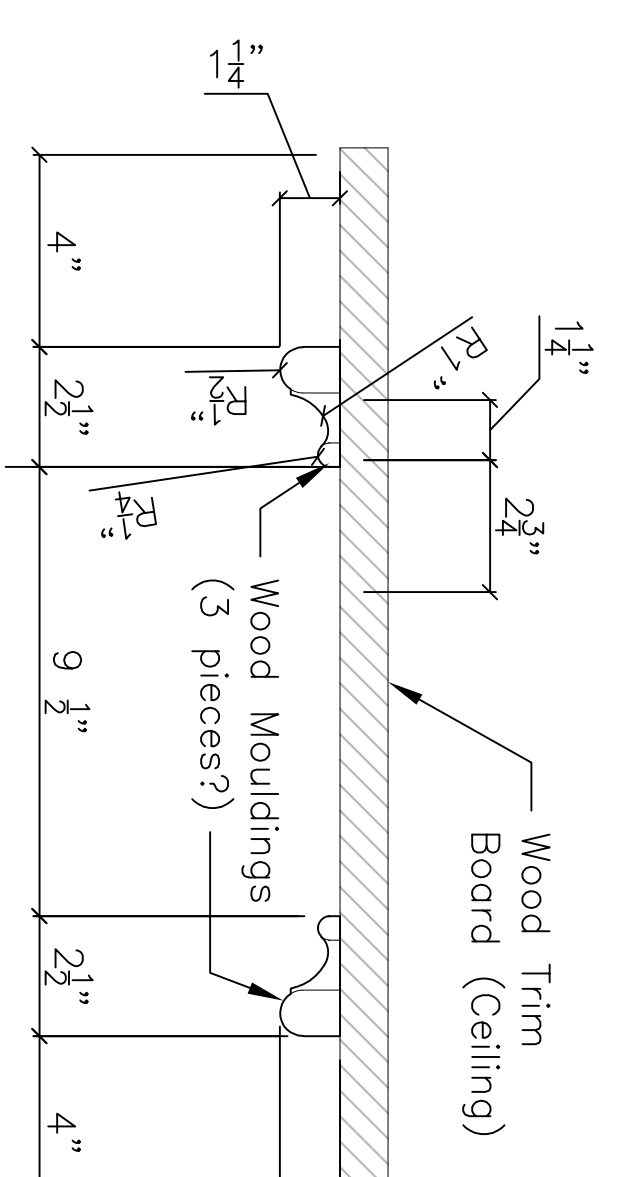
SURROUND TRIM PLAN FRONT LEFT SHOWING FRONT RIGHT (S/M) (L)



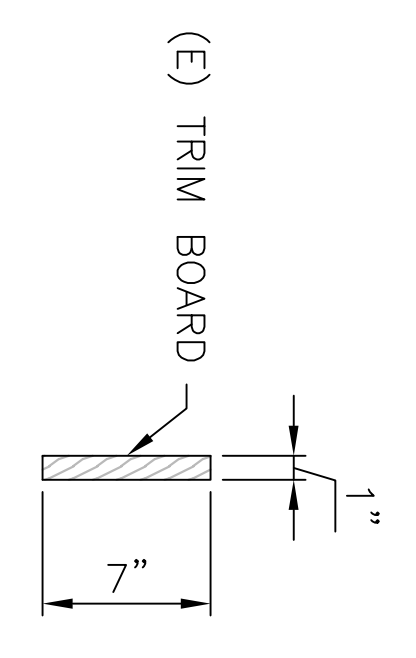
SURROUND TRIM PLAN CENTER (S)



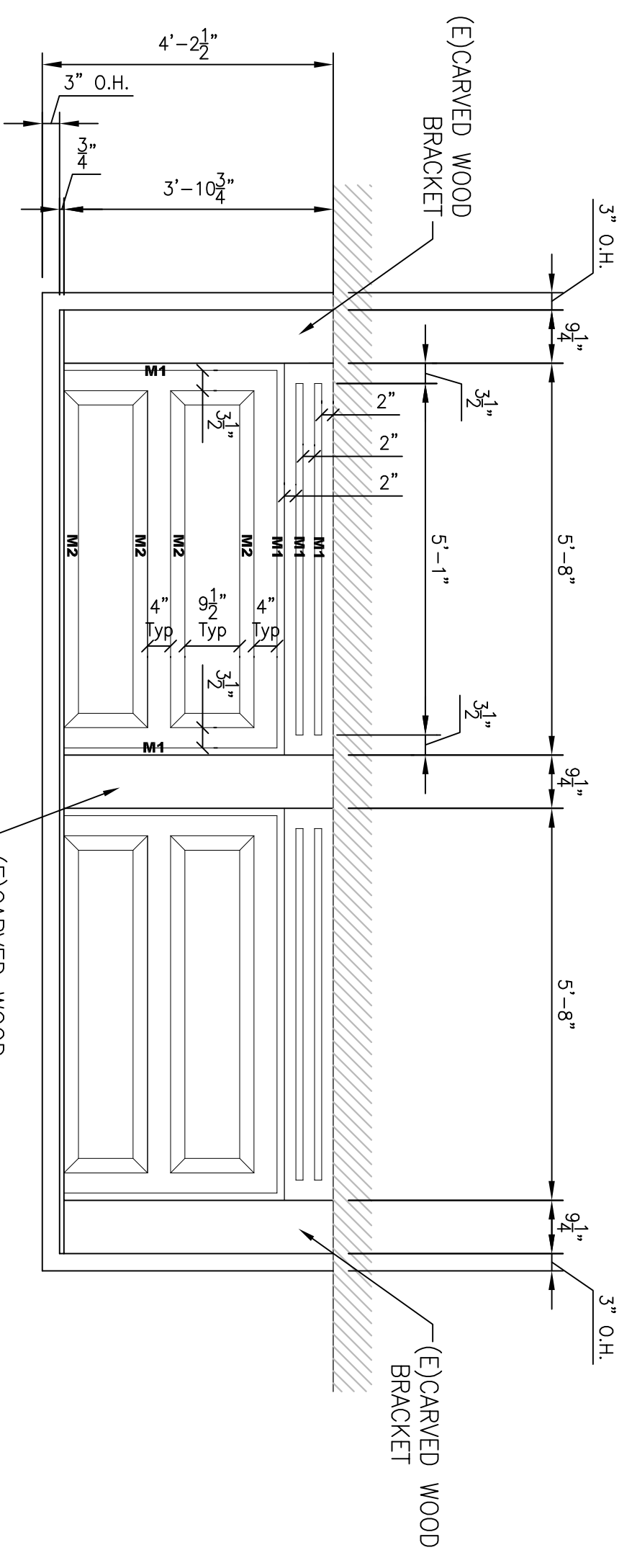
MOULDING TYPE M1 (M1)



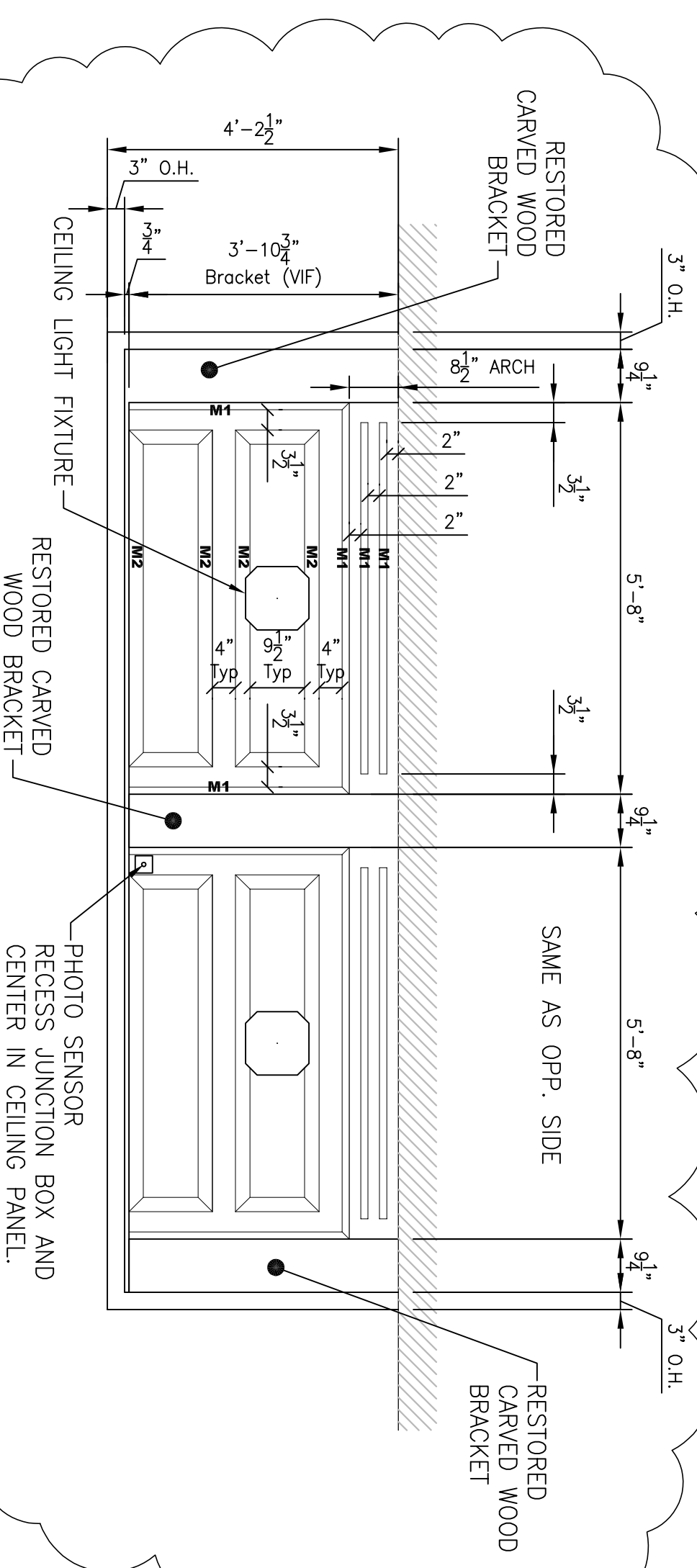
MOULDING TYPE M2 (M2)



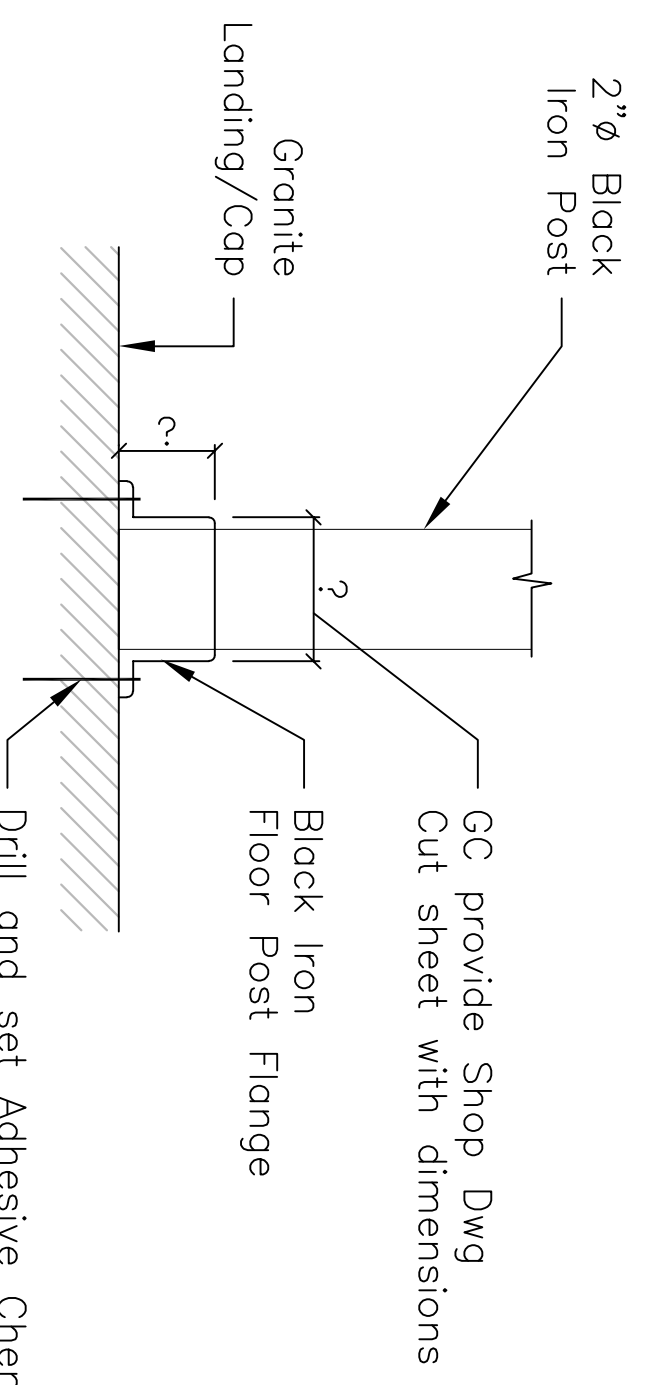
BASEBOARD



REFLECTED CEILING PLAN EXISTING PORCH SCALE: 1/2" = 1'-0" (R)



REFLECTED CEILING PLAN PROPOSED PORCH SCALE: 1/2" = 1'-0" (R1)



HANDRAIL FLOOR POST FLANGE (F)
GC consult with Structural Engineer for structural strength, typ.

Drill and set Adhesive Chemical Anchors as required to comply with structural capacity indicated in Note 9 on Dwg A1.
Engineer specify anchor type, size and embed depth.

OCR Series
Decorative Outdoor Remote Lighting Heads

FEATURES
Outdoor UL Wet Location Listed die cast aluminum lamp head and mounting plate assembly complete with 1/8\"/>

ORDERING GUIDE

Model	Head	Finish	Lamp
OCR	Single	W/ White	0008 8 Watt 3 Watt Halogen
	5 Stripes	Z Dark Bronze	1200L 12 Volt 3 Watt LED

OUTDOOR EMERGENCY LIGHT FIXTURE
MODEL ORCS B0605 - SINGLE HEAD BLACK REMOTE HEAD: 6V-5W HALOGEN BULB



ALUMINUM "OLDE BRONZE" HOUSING FINISH, ETCHED SEEDED GLASS. 2 BULB: 5-7W LED, 2700K "SOFT WHITE" LAMPS.

KICHLER

Product Information	
Model	ORCS B0605
Finish	OLDE BRONZE
Material	ALUMINUM
Weight	0.5 LB
Dimensions	5.0" W x 7.0" H x 3.0" D
Primary Lighting	LED
Light Output (lm)	270
Beam Spread	120°
Color Temperature	2700K
Dimmable	NO
Warranty	3 Year

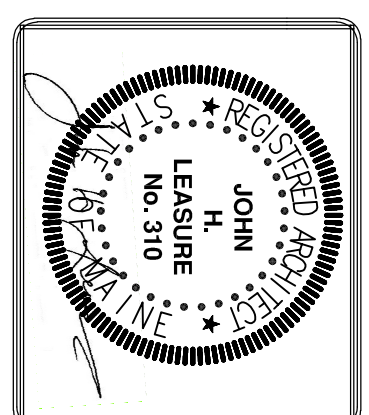
CEILING LIGHT FIXTURE FRONT ENTRY (2 PLACES)



PROPOSED "WOODBURY GRAY" GRANITE TYPE
NOTE 13 / A1

REHABILITATION OF FRONT ENTRY
126 & 128 DANFORTH STREET
PORTLAND, MAINE

REV.	DATE	STATUS
0	4-15-17	Permit Submission
1	9-01-17	Revised per HP Board Comments



JOHN H. LEASURE ARCHITECT, INC.
6 Q STREET
SOUTH PORTLAND, MAINE 04106

