

DISPLAY THIS CARD ON PRINCIPAL FRONTAGE OF WORK



CITY OF PORTLAND

BUILDING PERMIT

This is to certify that PROTECTION PROFESSIONALS
of 325 US Route 1, Falmouth, ME 04105

For installation at 51 STATE ST

Job ID: 2011-09-2324-FAFS

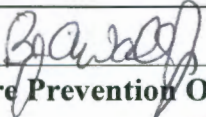
CBL: 044-B-041-001

has permission to install a new supervised fire alarm system

provided that the person or persons, firm or corporation accepting this permit shall comply with all of the provisions of the Statutes of Maine and of the Ordinances of the City of Portland regulating the construction, maintenance and use of the buildings and structures, and of the application on file in the department.

Notification of inspection and written permission procured before this building or part thereof is lathed or otherwise closed-in. 48 HOUR NOTICE IS REQUIRED.

A final inspection must be completed by owner before this building or part thereof is occupied. If a certificate of occupancy is required, it must be


Fire Prevention Officer

58

Code Enforcement Officer / Plan Reviewer

**THIS CARD MUST BE POSTED ON THE STREET SIDE OF THE PROPERTY
PENALTY FOR REMOVING THIS CARD**

BUILDING PERMIT INSPECTION PROCEDURES

Please call 874-8703 or 874-8693 (ONLY)

or email: buildinginspections@portlandmaine.gov

With the issuance of this permit, the owner, builder or their designee is required to provide adequate notice to the city of Portland Inspections Services for the following inspections. Appointments must be requested 48 to 72 hours in advance of the required inspection. The inspection date will need to be confirmed by this office.

- **Please read the conditions of approval that is attached to this permit!! Contact this office if you have any questions.**
- **Permits expire in 6 months. If the project is not started or ceases for 6 months.**
- **If the inspection requirements are not followed as stated below additional fees may be incurred due to the issuance of a "Stop Work Order" and subsequent release to continue.**

Final Fire

The project cannot move to the next phase prior to the required inspection and approval to continue, REGARDLESS OF THE NOTICE OF CIRCUMSTANCES.

IF THE PERMIT REQUIRES A CERTIFICATE OF OCCUPANCY, IT MUST BE PAID FOR AND ISSUED TO THE OWNER OR DESIGNEE BEFORE THE SPACE MAY BE OCCUPIED.



PORTLAND MAINE

Strengthening a Remarkable City, Building a Community for Life • www.portlandmaine.gov

Director of Planning and Urban Development
Penny St. Louis

Job ID: 2011-09-2324-FAFS

Install a new supervised fire alarm system

For installation at:

51 STATE ST

CBL: 044- B-041-001

Conditions of Approval:

Zoning

1. This permit is being approved on the basis of plans submitted. Any deviations shall require a separate approval before starting that work.
2. This property shall remain a fourteen (14) family dwelling. Any change of use shall require a separate permit application for review and approval.

Fire

The fire alarm system shall comply with the City of Portland Standard for Signaling Systems for the Protection of Life and Property. All fire alarm installation and servicing companies shall have a Certificate of Fitness from the Fire Department.

In field installation shall be installed per code as conditions dictate. Audibility shall be verified in the sleeping rooms at acceptance.

Records cabinet, FACP, annunciator(s), and pull stations shall be keyed alike.

Central Station monitoring for addressable fire alarm systems shall be by point.

All fire alarm records required by NFPA 72 should be stored in an approved cabinet located at the FACP labeled "FIRE ALARM RECORDS".

Installation of a Fire Alarm system requires a Knox Box to be installed per city ordinance.

The fire alarm system shall be certified by a master fire alarm company and have a new fire alarm inspection sticker.

System acceptance and commissioning must be coordinated with alarm and suppression system contractors and the Fire Department. Call 874-8703 to schedule.

Fire Alarm system shall be maintained. If system is to be off line over 4 hours a fire watch shall be in place. Dispatch notification required 874-8576.

This building shall not have a master box.

City of Portland, Maine - Building or Use Permit Application

389 Congress Street, 04101 Tel: (207) 874-8703, FAX: (207) 8716

Job No: 2011-09-2324-FAFS	Date Applied: 9/23/2011	CBL: 044- B-041-001	
Location of Construction: 51 STATE ST	Owner Name: GEOFFREY I RICE	Owner Address: 658 CONGRESS ST 1 ST FLOOR PORTLAND, ME 04101	Phone:
Business Name:	Contractor Name: PROTECTION PROFESSIONALS	Contractor Address: 325 US Route 1 FALMOUTH ME 04105	Phone: (207) 775-5755
Lessee/Buyer's Name:	Phone:	Permit Type: FIRE ALARM - Fire Alarm	Zone: R-6
Past Use: Multi-family – 14 dwelling units	Proposed Use: Same – Multi-family – 14 dwelling units – install fire alarm	Cost of Work: 15000.00	CEO District:
		Fire Dept: <input checked="" type="checkbox"/> Approved w/ conditions <input type="checkbox"/> Denied <input type="checkbox"/> N/A	Inspection: Use Group: Type:
		Signature: <i>[Signature]</i>	Signature:
Proposed Project Description: Install a Fire Alarm Cert -w1035		Pedestrian Activities District (P.A.D.)	
Permit Taken By:		Zoning Approval	

	Special Zone or Reviews	Zoning Appeal	Historic Preservation
1. This permit application does not preclude the Applicant(s) from meeting applicable State and Federal Rules. 2. Building Permits do not include plumbing, septic or electrical work. 3. Building permits are void if work is not started within six (6) months of the date of issuance. False informatin may invalidate a building permit and stop all work.	<input type="checkbox"/> Shoreland <input type="checkbox"/> Wetlands <input type="checkbox"/> Flood Zone <input type="checkbox"/> Subdivision <input type="checkbox"/> Site Plan <input type="checkbox"/> Maj <input type="checkbox"/> Min <input type="checkbox"/> MM Date: <i>OK w/ conditions</i> <i>9/25/11</i> <i>ASB</i>	<input type="checkbox"/> Variance <input type="checkbox"/> Miscellaneous <input type="checkbox"/> Conditional Use <input type="checkbox"/> Interpretation <input type="checkbox"/> Approved <input type="checkbox"/> Denied Date:	<input checked="" type="checkbox"/> Not in Dist or Landmark <input type="checkbox"/> Does not Require Review <input type="checkbox"/> Requires Review <input type="checkbox"/> Approved <input type="checkbox"/> Approved w/Conditions <input type="checkbox"/> Denied Date: <i>ASB</i>

CERTIFICATION

I hereby certify that I am the owner of record of the named property, or that the proposed work is authorized by the owner of record and that I have been authorized by the owner to make this application as his authorized agent and I agree to conform to all applicable laws of this jurisdiction. In addition, if a permit for work described in the appication is issued, I certify that the code official's authorized representative shall have the authority to enter all areas covered by such permit at any reasonable hour to enforce the provision of the code(s) applicable to such permit.

SIGNATURE OF APPLICANT	ADDRESS	DATE	PHONE
RESPONSIBLE PERSON IN CHARGE OF WORK, TITLE		DATE	PHONE



Fire Alarm Permit

If you or the property owner owes real estate or property taxes or user charges on any property within the city, payment arrangements must be made before permits of any kind are accepted.

Installation address: 51 State St. CBL: 44B 41

Exact location: (within structure) 51 State St. ENTIRE BLDG.

Type of occupancy(s) (NFPA & ICC): MULTI-FAMILY

Building owner: Geoffrey Rice

System Designer (point of contact): PROTECTION PROFESSIONALS (Rich Brobst)

Designer phone: 207-699-2516 E-mail: rich@PROTECTIONPROFFESIONALS.COM

Installing contractor: R.M. PEARSON, INC Certificate of Fitness No: _____

Contractor phone: 207-329-8432 E-mail: rpearso1@MAINE.CI.COM

This is a new application: YES NO

This is an amendment to an existing permit: YES NO Permit no: _____

The following documents shall be provided with this application:

- Floor plans
- Wiring diagram
- Annunciator details
- Equipment data sheets
- Battery & voltage drop calculations
- Input/ Output Matrix
- Designer qualifications
- Electrical Permit Pulled (check alarm/com)

COST OF WORK: 415000

PERMIT FEE: 170
(\$10 PER \$1,000 + \$30 FOR THE FIRST \$1,000)

RECEIVED

SEP 23 2011

**Dept. of Building Inspections
City of Portland Maine**

The **designer** shall be the responsible party for this application. Download a new copy of this application at www.portlandmaine.gov/fire for every submittal. Submit all plans in electronic PDF in addition to full sized plans to the Building Inspections Department, 389 Congress Street, Room 315, Portland, Maine 04101.

Prior to acceptance of any fire alarm system, a complete commissioning and acceptance test must be coordinated with all fire system contractors and the Fire Department, and proper documentation of such test(s) provided.

All installation(s) must comply with the *City of Portland Technical Standard for Signaling Systems for the Protection of Life and Property*, available at www.portlandmaine.gov/fire.

Applicant signature: Robert M. Larson Date: 9/23/11

Protection Professionals

325 US Route 1
 Falmouth, ME 04105
 Ph 207-775-5755
 Fax 207-781-2064

Device List

No. 3087

List Date
9/8/2011

Bill To Name / Address
Geoffrey I Rice 658 Congress Street Portland, Maine 04102

Job Site
51 State Street Portland, Maine

CHANGING THIS DEVICE LIST DOES NOT ALTER THE ORIGINAL ESTIMATE
Attach copy to Purchase Order for accounting

Estimate No.

Item	Description	Qty To Order	Qty Ordered
V128FBP-PAK1	Vista- 128 FBP kit, includes V128FBP, 6160CR, 5140DLM, Red transformer enclosure requires 120VAC direct	1	
Bat 12-12	Battery	2	
5881ENHC	Wireless receiver for commercial burglary and 5800 devices	1	
DK-DTK120HW	DITEK AC SURGE PROTECTION	1	
06-SSU00672	Fire Document box 12 inches wide X 13.1 inches high X 2.25 inches deep, CAT 30 keyed	1	
6160CR	Keypad Red	1	
SF-STI7510E	Keypad cover with lock set	1	
8085	ADEMCO cam lock assembly	2	
BK-2WB	Hardwired Smoke Detector w/ Base over fire alarm panel	1	
5808W3	Wireless smoke detector/heat detector with sounder (hallways)	12	
5140MPS-1	Manual Pull Station by each exit on each level	7	
5817CB	Wireless Contact Module (use for fire contacts) for each pull station; without this module the pull station will be hardwired	6	
BK-5603	SYSTEM SENSOR 135 Fixed Temperature heat detector, one circuit (over laundry area, hardwired to one zone; basement hardwired to one zone)	4	
AX-AL602ULADA	NAC power supply, 24 or 12 VDC, 6.5 amps, two Class A or four Class B at 2.5 amps/circuit, 1 amp Aux power	1	
Bat 12-7	12V 7AH Batteries	2	
500-636161	ZH-MC-R Horn/strobe, red, wall mount, Hi or Lo volume, 15cd, 30cd, 75cd, or 110cd (in hallways outside the rooms set to high decibels)	11	

Ordered By: _____

Date: _____

Received By: _____

Date: _____

Protection Professionals

325 US Route 1
 Falmouth, ME 04105
 Ph 207-775-5755
 Fax 207-781-2064

Device List

No. 3087

List Date
9/8/2011

Bill To Name / Address
Geoffrey I Rice 658 Congress Street Portland, Maine 04102

Job Site
51 State Street Portland, Maine

CHANGING THIS DEVICE LIST DOES NOT ALTER THE ORIGINAL ESTIMATE
Attach copy to Purchase Order for accounting

Estimate No.

Item	Description	Qty To Order	Qty Ordered
BK-5601P 5817CB	I reviewed the plans for the apartments and they seem to vary in number of rooms. Some units appeared to be one room apartments. This part of the quote is based upon the following: Apt #1: 2 heats; Apt#2: 4 heats; Apt #3: 1 heat; Apt #4: 3 heats; Apt #5: 3 heats; Apt #6: 3 heats; Apt #7: 2 heats; Apt #8: 1 heat; Apt #9: 1 heat; Apt #10: 2 heats; Apt #11: 3 heats; Apt #12: 3 heats; Apt #14: 2 heats; and Apt #15: 1 heat for a total of 31 heats. Add: wireless heat detectors for each apartment. One assembly is required in each room of the apartments except the bathroom. 135°F Fixed Temp/Rate-of-Rise, Single-Circuit Mechanical Heat Detector Wireless Contact Module (use for fire contacts)	31 31	
AD-TG7FS Bat 12-7 D8004	Cell phone monitoring. This option will allow cell phone monitoring of the fire alarm system. No phone lines will be required for this option. Monthly cell phone monitoring which includes the fire alarm monitoring is \$65.00 per month. Monitoring without a cell phone connection is \$30.00/month. However two phone lines would be required. Fire Alarm Communicator, cell based 12V 7AH Batteries UL TRANSFORMER KIT State of Maine Sales Tax		1 1 1

Ordered By: _____

Date: _____

Received By: _____

Date: _____

VISTA-128FBP/V128FBP-24

COMMERCIAL PARTITIONED FIRE AND
BURGLARY ALARM CONTROL PANEL



Now UL864 9th Edition Approved

Designed to integrate seamlessly with CCTV, access control and Honeywell's full range of fire and burglary components, the new VISTA-128FBP provides the ultimate protection of life and property. The UL Listed commercial fire and burglary control panel supports up to eight partitions and up to 128 zones/points using hardwired, wireless and V-Plex®

addressable technologies. A diverse line of Honeywell initiating devices, notification circuits, communication devices, keypads, RF receivers and relays are also supported. The VISTA-128FBP has been designed to mount quickly and easily in an attack resistant cabinet, and is available in 12V and 24V models.

FEATURES

- Eight hardwired zones standard, expandable to 120 V-Plex addressable points/zones or 128 wireless points/zones
- Can control eight separate areas independently (8 partitions)
- Supports commercial wireless fire and burglary devices
- Stores up to 512 events
- Accommodates 150 user codes and up to 250 access card holders using VistaKey

- Supports V-Plex addressable VistaKey access control (1 to 8 doors)
- Two on-board notification (bell) circuits delivering 2.3A @ 12V or 3.4A @ 24V
- Automatic smoke detector sensitivity maintenance testing
- Four-wire smoke reset using onboard J2 output trigger
- Supports Dynamic Signaling for AlarmNet Communicators

- Supports Remote Control via the Internet*
- Supports Internet Alarm Reporting*
- Supports Graphical User Interface Consoles
- Listed to UL864 9th Edition
- Upload/download via Ethernet*
- Carbon monoxide (CO) zone support

* When used with AlarmNet devices.

VISTA-128FBP/V128FBP-24

COMMERCIAL PARTITIONED FIRE AND
BURGLARY ALARM CONTROL PANEL

Honeywell

ADDITIONAL FEATURES

- Notification Appliance Circuits (two):
 - Programmable
 - Temporal code compliant
 - Individually silenceable
- Programmable on-board auxiliary relay
- False alarm reduction features:
 - Exit error logic
 - Exit delay reset
 - Cross zoning
 - Call waiting defeat
 - Recent close report
- Supports commercial hardwired, addressable V-Plex polling loop and wireless zones
- Hardwired zones
 - Provides eight style B hardwired zones
 - EOLR supervised for Fire and UL burglary installations
 - Supports N.O. or N.C. sensors
 - Individually assignable to any eight partitions
 - Up to 32 two-wire smoke detectors each on zone one and two (64 total)
- Up to 50 two-wire glassbreak detectors on zone eight
- Patented addressable V-Plex polling loop technology
 - Supports 120 two-wire zones points
 - Global polling technology for faster processing
 - Supervised by panel
 - Zones individually assignable to partitions, notification circuit (bell) output or auxiliary relay
 - 4,000 ft. capability without the use of shielded cable
 - Extender/Isolation bus modules
 - Eight zone – Class A and B expander module
 - Eight zone – Class B expander module
 - One zone supervised contact monitor module
- UL Listed wireless expansion
 - Supports up to 128 wireless zones/points
- Supervised by control for check-in signals
- Tamper protection for transmitters
- Individually assignable up to eight partitions
- Supports commercial wireless smoke detectors
- Access Control integration
 - Full integration with PassPoint Access Control System Complete Gateway interface of VISTA and access functions
- Up to eight doors using VistaKey V-Plex Access Control
- Event reporting
- Local printer of access or VISTA related events
- Communication
 - Phone mapping by zone response type
 - Panel operation during download

SPECIFICATIONS

Applications

The VISTA-128FBP control is well suited for a variety of applications as an integrated fire and burglary control. A diverse line of Honeywell initiating devices supports this extremely powerful control. Some of the applications supported are: medical and professional buildings, churches or synagogues, office buildings, schools, strip malls, larger residences and factory or warehouse environments.

Electrical

- Primary power: 18VAC @ 72VA
Honeywell No. 1451
- Control panel quiescent current draw: 300mA
- Backup battery:
 - 12VDC, 12AH min to 34.4AH max
 - Lead acid battery (gel type)
- Alarm power: 12VDC, 1.7A max for each notification (bell) circuit output
Total 2.3A @ 12V
- Aux. standby pwr: 12VDC, 1A max
- Total power: 2.3A at 12VDC, 3.4A at 24VDC from all sources
- Standby time: 24 hours with 1A standby load using 34.4AH battery

- Fusing: Battery input, aux. and notification (bell) circuit outputs are protected using PTC circuit protectors. All outputs are power limited.
- Optional 24-volt power supply, PS 24 supplies two 24 VFW, 1.7A full wave rectified, unfiltered outputs

Main Dialer

- Line seize: Double Pole
- Ringer equiv.: 0.7B
- Formats: ADEMCO Low Speed, ADEMCO 4+2 Express, ADEMCO High Speed, ADEMCO Contact ID, Sescoa and Radionics
- Dual phone line capability (using 5140DLM module)

Cabinet dimensions

- 18" H x 14.5" W x 4.3" D

Environmental

- Storage temp: 14° F to 158° F
(-10° C to 70° C)
- Operating temp: 32° F to 122° F
(0° C to 50° C)
- Humidity: 85% RH

- EMI: Meets or exceeds the following requirements:
 - FCC Part 15, Class B Device
 - FCC Part 68
 - IEC EMC Directive

Agency Listings

- UL609 Grade A Local Mercantile Premises and Mercantile Safe and Vault
- UL611/1610 Grades A, AA, Central Station
- UL365 Grades A, AA Police Connect
- UL864/NFPA72 Local, Central Station and Remote Station
- UL985
- Factory Mutual
- California State Fire Marshal
- MEA
- CAN/ULC S304 – Central and Monitoring Station Burglar Alarm Unit
- CAN/ULC S527 – Central Unit for Fire Alarm Systems
- CAN/ULC S303 – Local Burglar Alarm Unit
- CAN/ULC S525 – Audible Signal Appliances

VISTA-128FBP/V128FBP-24

COMMERCIAL PARTITIONED FIRE AND BURGLARY ALARM CONTROL PANEL

COMPATIBLE DEVICES

Auxiliary Devices

- 6160CR-2 – Red Alpha Keypad
- 4204 – Relay Module, four form C contacts
- 4204CF – Two supervised output circuits
- 5881 Series RF receiver
- 5883H RF receiver
- 6220S – System printer used with 4100SM serial module
- 6160CR-2 – Red Fire Keypad
- 6160 – Burglary Keypad

Two-Wire Smoke Detectors

Conventional

- System Sensor
- ESL
- DSC

Horn/Strobes

- System Sensor
- Wheelock
- Gentex

Manual Pull Stations

- 5140MPS-1
- 5140MPS-2

V-Plex (Addressable) Devices

- 4208U Loop Expansion Module – eight zones
- 4101SN Single Relay/Zone Module

- 4208SNF Class A/B Expander Module
- 4190SN Remote Point Module – two zones
- 4193SN Two-Zone Serial Interface Module
- VSI Module
- 4293SN One-Zone Serial Interface Module

V-Plex Extender/Isolation Modules

- 4297 Extender/Isolator Module
- VSI Isolator Module

V-Plex Smoke Detectors:

- 5193SD
- 5193SDT

V-Plex Passive Infrared Detectors

- 998MX
- IS2500SN
- DT7500SN

V-Plex (Addressable) Contacts

- 4939SN-WH
- 4944SN-WH
- 4959SN

V-Plex Glassbreak Detectors

- FG1625SN

Optional 24V Power Supply

- PS24 – 24V power supply – 3.4A

Commercial Wireless Devices

- 5808W3 – Photoelectric Smoke/Heat Detector
- 5806W3 – Photoelectric Smoke Detector
- 5809 – Wireless Heat Detector
- 5817CB – Wireless Commercial Transmitter
- 5869 – Hold-Up Transmitter
- 5881ENHC – RF Receiver
- 5883H – RF Receiver

Access Control

- VistaKey V-Plex (addressable) Access Control
- VistaKey-SK Starter Kit
- VistaKey-EX Expansion Kit

Alarm Communications

- 7845i-ENT – Internet/Intranet Communicator
- 7845GSM – Digital Cellular Communicator
- 7845i-GSM – Internet and Digital Cellular Communicator
- GSMCF/iGSMCF – Commercial Fire Communication Kits (when available)

Product specifications subject to change.

ORDERING

V128FBP-9

Commercial Fire and Partitioned Burglary Alarm Control Panel 12V Model

V128FBP9-24

Commercial Fire and Partitioned Burglary Alarm Control Panel 24V Model

For more information: www.honeywell.com/security/hsc

Automation and Control Solutions

Honeywell Security & Communications
2 Corporate Center Dr. Suite 100
Melville, NY 11747
1.800.467.5875
www.honeywell.com

L/VSTA128FBPD/D
September 2009
© 2009 Honeywell International Inc.

Honeywell

STI Polycarbonate Enclosure

Dimensions and Technical Information

MODELS AVAILABLE

- STI-7500 Cover with key lock and backbox
 - STI-7501 Cover with thumb lock and backbox
 - STI-7510 Cover with exterior key lock and backbox
 - STI-7511 Cover with exterior thumb lock and backbox
- NOTE:** Select backbox from below

Accessories

- 18021 NEMA 4X 3/4" rigid conduit hub for "A" backbox
- 18054 Replacement key #CH751
- SUB-318 Adapter plate used for mounting "A", "B" or "F" backbox to pedestal
- SUB-6297B20 3/4" conduit hub for "B", "C" and "F" backboxes
- STI-1283 Backplate

BACKBOX DESCRIPTION

- A Enclosed deep backbox
- B Enclosed backbox with double-gang electrical box
- C Open backbox for flush mount applications
- D Open conduit backbox, surface mount applications
- E Open backbox for flush mount applications
- F Enclosed backbox

APPROVALS & WARRANTY

TESTING

The STI-7500 series only has been tested and approved or listed by:
 · UL/cUL Listed No. S7255

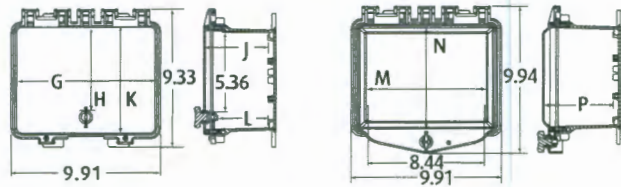
WARRANTY

Lifetime guarantee against breakage of polycarbonate in normal use.

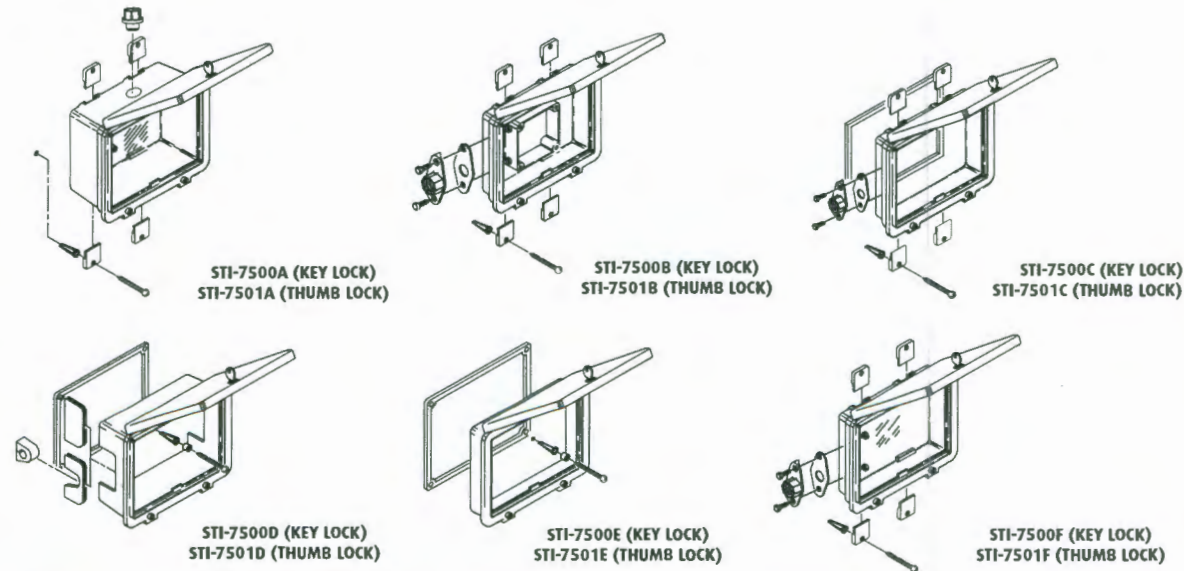
NOTICE

STI recommends replacement of gaskets every five years for outdoor applications.

	STI-7500/7501					STI-7510/7511		
B	G	H	J	K	L	M	N	P
A	8.48	5.40	4.15	6.48	3.40	8.48	6.48	4.59
C	8.50	5.40	1.30	5.50	0.55	8.50	5.50	1.74
K	7.81	4.80	2.51	5.25	1.76	7.81	5.25	2.95
B	7.73	5.40	3.54	5.70	2.79	7.73	5.70	3.98
O	7.70	5.40	1.76	5.71	1.01	7.70	5.71	2.20
X	8.30	4.80	2.35	5.63	1.60	8.30	5.63	2.79



NOTE: Below pictures illustrate backbox differences.



Safety Technology International, Inc.

2306 Airport Road
 Waterford, Michigan
 48327, USA

Tel: 248-673-9898
 Fax: 248-673-1246
 Tollfree: 800-888-4784
 info@sti-usa.com
 www.sti-usa.com

Unit 49G Pipers Road
 Park Farm Industrial Estate
 Redditch, Worcestershire
 B98 0HU England

Tel: 44 (0) 1527 520 999
 Fax: 44 (0) 1527 501 999
 Free: 0800 085 1678 (UK)
 www.sti-europe.com

Z Strobes, Horns, Horn/Strobes

Features

- UL listed. ULC, CSFM, and FM pending.
- ADA/NFPA compliant
- EZ Mount design, with separate base plate, provides ability to pre-wire the base and test the circuit wiring before the walls are covered
- The base plate is protected by a disposable cover and the appliances can quickly snap onto the base after the walls are painted.
- EZ Mount Universal Mounting Plate (ZBB) – uses single plate for ceiling and wall mount installations
- Wall Mount models feature field selectable candela settings of 15/30/75/110cd and 135/185cd
- Ceiling Mount models feature field selectable candela settings of 15/30/75/95cd and 115/177cd
- Strobes can be synchronized using the Siemens 5406B sync modules, MPC-6000 panel, MPC-7000 panel, or RSE-300 power supply with built-in sync protocol
- “Special Applications” listed with Siemens panels
- Strobes produce 1 flash per second
- Selectable Continuous Horn or Temporal (Code-3) Tones with selectable 90 or 95 dBA setting (ZH model)

Description

The Siemens Series Z notification appliances feature an easy snap on base that is designed to simplify the installation and testing of horns, strobes, and horn/strobes. The separate Series Z snap on base can be pre-wired so circuit wiring can be fully tested before the appliance is installed and before the walls are covered. Once all surrounding work is complete, the appliance can be simply installed by snapping it on the base. Shorting contacts in the base, which provide continuity for circuit testing, are permanently opened when the appliance is installed so any subsequent removal of the appliance will indicate a trouble condition on that circuit at the control panel when circuit supervision is enabled. The same base is used for all Series Z horns, strobes and horn/strobes to provide consistent installation and easy replacement of appliances if required. A locking screw is also included for the appliance to provide extra secure installation.

The Siemens Series Z appliances incorporate the same dependable circuitry and high efficiency optics that are used in Siemens ST strobes, NS horn/strobes and NH horns and have the same high performance ratings. The Series Z appliances are “Special Applications” listed with Siemens panels.



Engineering Specifications

General

Audible/visual notification appliances shall be listed for indoor use and shall meet the requirements of FCC Part 15 Class B. These appliances shall be listed under UL Standard 1971, (Standard for Safety Signaling Devices for Hearing Impaired) and UL Standard 464 (Fire Protective Signaling). The appliances shall use a universal backplate that shall allow mounting to a single-gang, double-gang, 4-inch square, 4" octal, or a 3-1/2" octal backbox. Two wire appliance wiring shall be capable of directly connecting to the mounting back plate. Continuity checking of the entire NAC circuit prior to attaching any audible/visual notification appliances shall be allowed. A dust cover shall fit and protect the mounting plate. The dust cover shall be easily removed when the appliance is installed over the backplate. Removal of an appliance shall result in a trouble condition by the Fire Alarm Control Panel (FACP).

Strobes

Strobe appliances shall produce a minimum flash rate of 60 flashes per minute (1 flash per second) over the Regulated Input Voltage Range and shall incorporate a

Xenon flashtube enclosed in a rugged Lexan® lens. The strobes shall be available with two or four field selectable settings in one unit and shall be rated, per UL 1971, for up to 185 cd for wall mounting and 177 cd for ceiling mounting. The strobes shall operate over an extended temperature range of 32°F to 120°F (0°C to 49°C) and be listed for maximum humidity of 95% RH. Strobe inputs shall be polarized for compatibility with standard reverse polarity supervision of circuit wiring by a Fire Alarm Control Panel (FACP).

Audibles and Audible/Strobe Combinations

Horns and horn/strobes shall be listed for Indoor use under UL Standard 464. The horns shall be able to produce a continuous output or a temporal code-3 output that can be synchronized. The horns shall have at least 2 sound level settings of 90 and 95 dBA.

Synchronization Modules

When synchronization of strobes or temporal Code-3 audibles is required, the appliances shall be synchronized using the Siemens 5406B sync modules, MPC-6000 panels, MPC-7000 panels, or RSE-300 power supplies with built-in sync protocol. The strobes shall not drift out of synchronization at any time during operation. Au-

dibles and strobes shall be able to be synchronized on a 2-wire circuit with the capability to silence the audible if required. If the sync module or power supply fails to operate (i.e., contacts remain closed), the strobes shall revert to a non-synchronized flash rate. All notification appliances shall be listed for "Special Applications".

- Strobes are designed to flash at 1 flash per second minimum over their "Regulated Input Voltage Range".
- All candela ratings represent minimum effective strobe intensity based on UL Standard 1971.
- Series ZH Strobe products are listed under UL Standards 1971 and 464 for indoor use with a temperature range of 32°F to 120°F (0°C to 49°C) and maximum humidity of 93% (± 2%).
- Series ZH horns are listed under UL Standard 464 for audible signal appliances (Indoor use only).

Technical Information

For complete technical information, please consult the relevant installation sheets as well as the Siemens Compatibility Guide.

Ordering Information / Mounting Requirements / Approvals

Model Number	Order Code	Mounting Options#	Agency Approvals			
			UL	ULC	CSFM	FM
ZH-MC-R	500-636161	B, D, E, F	X	#	#	#
ZH-MC-W	500-636162	B, D, E, F	X	#	#	#
ZH-HMC-R	500-636163	B, D, E, F	X	#	#	#
ZH-HMC-W	500-636164	B, D, E, F	X	#	#	#
ZH-R	500-636159	B, D, E, F	X	#	#	#
ZH-W	500-636160	B, D, E, F	X	#	#	#
ZH-MC-CR	500-636165	B, D, E, F	X	#	#	#
ZH-MC-CW	500-636166	B, D, E, F	X	#	#	#
ZH-HMC-CR	500-636167	B, D, E, F	X	#	#	#
ZH-HMC-CW	500-636168	B, D, E, F	X	#	#	#
ZR-MC-R	500-636169	B, D, E, F	X	#	#	#
ZR-MC-W	500-636170	B, D, E, F	X	#	#	#
ZR-HMC-R	500-636171	B, D, E, F	X	#	#	#
ZR-HMC-W	500-636172	B, D, E, F	X	#	#	#
ZR-MC-CW	500-636174	B, D, E, F	X	#	#	#
ZR-MC-CR	500-636173	B, D, E, F	X	#	#	#
ZR-HMC-CR	500-636175	B, D, E, F	X	#	#	#
ZRS-HMC-CW	500-636176	B, D, E, F	X	#	#	#
ZBB-R	500-636193	Accessory - Includes base, dust cover, mounting screws and installation sheet				
ZBB-W	500-636194	Accessory - Includes base, dust cover, mounting screws and installation sheet				

X = listed/approved # = pending * = Refer to Data Sheet #9675 for mounting options.

WARNING: PLEASE READ THESE SPECIFICATIONS AND INSTALLATION INSTRUCTIONS CAREFULLY BEFORE USING, SPECIFYING OR APPLYING THIS PRODUCT. FAILURE TO COMPLY WITH ANY OF THESE INSTRUCTIONS, CAUTIONS AND WARNINGS COULD RESULT IN IMPROPER APPLICATION, INSTALLATION AND/OR OPERATION OF THESE PRODUCTS IN AN EMERGENCY SITUATION, WHICH COULD RESULT IN PROPERTY DAMAGE, AND SERIOUS INJURY OR DEATH TO YOU AND/OR OTHERS.



Siemens Building Technologies, Inc.
 8 Fernwood Road • Florham Park, NJ 07932
 Tel: (973) 593-2600 • Fax: (973) 593-6670
 Web: www.faradayfirealarms.com

STI Polycarbonate Enclosure



STI-7500A



STI-7511D

PRODUCT OVERVIEW

Multipurpose lockable enclosure for a wide range of larger size devices, components and instruments, such as keypads, annunciators and automated external defibrillators (AEDs) which require protection from vandalism, accidental damage, as well as the elements, such as dirt and grime. Spacers, integrated hinge and covers are formed from super tough polycarbonate material. The polycarbonate enclosures are backed by a lifetime guarantee against breakage and damage in normal use. STI enclosure is lockable with either a key or thumb lock.

FEATURES

- Protection for large units against physical damage, grime and severe environments.
- Key or thumb lock available.
- Mounting hardware and gaskets are included.
- Fast and easy installation.
- Can be used over volume or lighting controls.
- 94V-2 flammability rating.
- Cover, integrated hinge and spacers are formed from super tough polycarbonate material.
- Each protected unit can be clearly seen and quickly identified.
- Typical working properties of polycarbonate are -40° to 250°F (-40° to 121°C).
- Lifetime guarantee against breakage of polycarbonate in normal use.



5140MPS-1 / 5140MPS-2 Manual Pull Stations

PRIMARY FEATURES

- ADA COMPLIANT
- KEY TEST OR ALLEN RESET
- KEYED TO ADEMCO CONTROLS
- STYLIZED HIGH TECH DESIGN
- ALUMINUM DIE CAST HOUSING
- TERMINAL BLOCK OR WIRE LEADS
- GOLD CONTACTS
- UL LISTED

■ GENERAL DESCRIPTION

Ademco's manual fire alarm stations are designed to be non-code single action devices for use in UL listed fire alarm applications. The attractive die-cast aluminum-alloy housing meets ADA pull requirements and has been tested at Underwriter's Laboratory.

For ADA compliance, manual stations must be mounted less than 48" above the floor for front wheelchair access and less than 54" above the floor for side wheelchair access.

A key reset feature on the 5140MPS-1 is designed for positive authorized resetting action. The key is designed to operate and match Ademco controls. The 5140MPS-1 utilizes a terminal block for secure terminations. The 5140MPS-2 is furnished with an Allen hex fitting and is equipped with wire leads.

Two alarm deterrent break tubes are supplied with each manual station; one tube is visible from the front, and the spare is stored in a compartment within the unit.

■ OPERATION

Pulling the handle down causes the manual stations to latch in the down position and to close the normally open switch. The handle is restored manually by using the key to unlock the station and pivot the station forward for resetting the pull handle to its normal position. The crush tube is then inserted in the cavity and the station assembly is then locked in the normal upright position.

■ CONSTRUCTION

The 5140MPS-1 and 5140MPS-2 manual stations are constructed of a durable die-cast aluminum-alloy and



provide a neat and distinctive appearance. The housing is finished in red with white raised lettering and the "T-bar" handle is white with raised red lettering for enhanced visibility. The units are adaptable to both surface and semi-flush mounting configurations.

■ MOUNTING

SEMI-FLUSH MOUNT

Most semi-flush mount installations can be attached to a standard single-gang switch box using two 6-32 screws inserted through the slots that are centered on the unit's metal mounting plate.

SURFACE MOUNT

Use Ademco Backbox model number 5140MPS-BB for surface mount installations. The Backbox has four pre-drilled mounting holes of 0.187 inch diameter and conduit knockouts. Secure the Backbox to a wall with screws of size 8 or smaller. After the Backbox is in place, attach the conduit.

The housing is locked by using a key or Allen wrench lock. Unlock the housing by turning the key clockwise and swinging down the front of the housing to make the sheet metal mounting plate accessible. Mount the metal plate to the Backbox using the four 1/4" long, 8-32 screws (supplied).

■ DIMENSIONS

4.75" H x 3.12" W x 2" D

ADEMCO

The Technology Leader

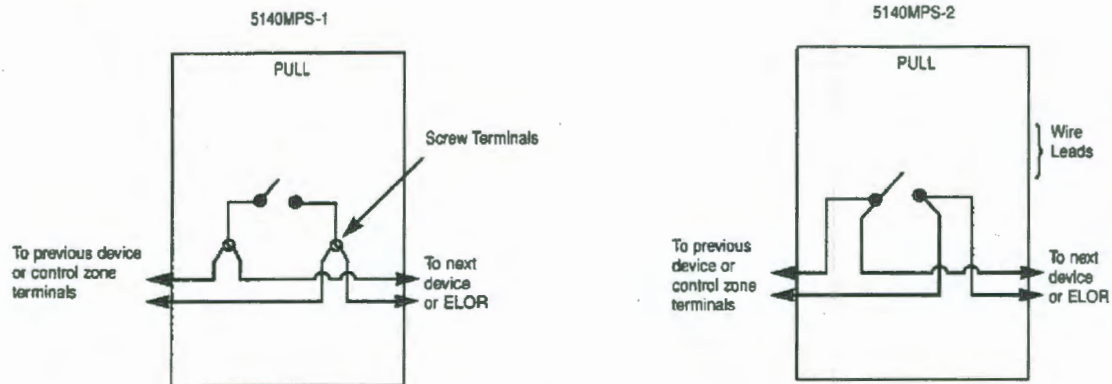
■ ORDERING INFORMATION

5140MPS-1: Manual Station
Key Reset Test
and Terminal Block

5140MPS-2: Manual Station
Hex Allen Reset
Test and Wire Leads

5140MPS-BB: Surface Backbox

■ WIRING DIAGRAM



ARCHITECTURAL/ENGINEERING SPECIFICATIONS

Manual Fire Alarm Station Model 5140MPS-1 (5140MPS-2) shall be non-coded and include a break-type tube operated test-reset lock allowing testing with a key (Allen wrench). They shall be designed so that normal operation cannot be restored after an actual Fire Emergency Operation except by use of a key (Allen wrench). The key shall fit all standard Ademco controls.

An operated station shall automatically condition itself so as to be visually detected, as operated, at a mini-

imum distance of one hundred feet, front or side. Manual Stations shall be constructed of die cast aluminum alloy with clearly visible operating instructions provided on the cover. The word FIRE shall appear on the front of the stations in raised letters. Stations shall be suitable for surface mounting on matching Backbox, or semi-flush mounting on a standard single-gang box. Manual Stations shall be Underwriter's Laboratories Listed.

ADEMCO

The Technology Leader

Vista 128

Quantity	Part #	Description	Standby	Alarm	Total standby	Total alarm
1	V128	Fire Panel (maximum)	0.250	0.485	0.250	0.485
1	6160CR	Annunicator	0.150	0.150	0.150	0.150
0	4208SN	Expander	0.001	0.033	0.000	0.000
0			1.000	0.000	0.000	0.000
6		Pull Station	0.000	0.000	0.000	0.000
1	2W	Smoke	0.000	0.130	0.000	0.130
0	4W	Smoke	0.020	0.023	0.000	0.000
0		heat	0.000	0.000	0.000	0.000
			0.001	0.001	0.000	0.000
0		Motion	0.015	0.022	0.000	0.000
		Duct Detector	0.001	0.001	0.000	0.000
		Duct smoke	0.001	0.001	0.000	0.000
		Duct relay	0.001	0.001	0.000	0.000
		Duct Remote	0.001	0.001	0.000	0.000
		Remote light	0.001	0.001	0.000	0.000
			0.000	0.000	0.000	0.000
		NAC Power	0.000	1.000	0.000	0.000
		NAC power maximum (24V)	0.000	3.400	0.000	0.000
1		NAC power maximum (12V)		2.300	0.000	2.300
					0.000	0.000
					0.000	0.000
		Miscellaneous			0.000	0.000
TOTAL			1.442	7.549	0.400	3.065

	Hours	Standby current		Total
	24	0.4001		9.601
Minutes		Alarm current		
5	0.08333333	3.0650		0.255
		Battery Capacity		
	20%	9.8566		11.828

Sequence of Operations

	Audio/visual activation	Activate audible/visual signal at FACP & Annunciator	Device Description at FACP & Annunciator	Shutdown of HVAC equipment	Log event in system history	Activate Elevator Fire Hat	Activate Elevator primary or secondary control	Activate Elevator shunt trip	Silence of audible devices Including FACP & annunciator	Release door holders	Release locked doors	Event acknowledgement	Reset of all system functions and all visual devices	Remote transmission to Central Station A=alarm; T=trouble; S=Supervisory; L = log only	Remote indicator
Manual Pull Stations	X	X	X		X					X	X			A	
Smoke detectors common area	X	X	X		X					X	X			A	
Smoke detectors elevator lobbies	X	X	X		X		X			X	X			A	
Smoke Detectors elevator shaft/machine room	X	X	X		X	X	X			X	X			A	
Duct mounted Smoke Detectors		X	X	X	X									S	X
Heat Detectors common area	X	X	X		X					X	X			A	
Heat Detectors Elevator shaft/machine room	X	X	X		X	X		X		X	X			A	
Sprinkler flow or pressure switches	X	X	X		X					X	X			A	
Sprinkler Tamper, low temp, or low air		X	X		X									S	
Secondary fire panel such as kitchen hood	X	X	X		X					X	X			A	
FACP/annunciator silence button		X	X		X			X						L	
FACP/annunciator acknowledge button		X	X		X							X			
FACP/annunciator reset button		X	X		X								X	L	
Removal of any device		X	X		X									T	
Ground fault		X	X		X									T	
System wiring "open"		X	X		X									T	
AC Power loss		X	X		X									T	
Secondary power loss		X	X		X									T	
Telephone line loss		X	X		X									T	



TELGUARD

TG-7FS

CELLULAR ALARM COMMUNICATOR

COMMERCIAL FIRE

PRODUCT FEATURES

- ▶ Meets UL 864 requirements for sole, primary or backup path communications.
- ▶ Supports virtually all alarm formats for universal panel compatibility.
- ▶ Connects to your central station's PSTN or IP receivers.
- ▶ Saves your customers money by replacing landline costs.

The Telguard TG-7FS is the ideal cellular alarm communications solution for commercial fire systems. The TG-7FS transmits alarm signals from the fire panel over the digital cellular network to the designated monitoring station.

Compliant with the 2010 Edition of NFPA 72, the TG-7FS can serve as the sole communications path for the fire alarm system, replacing all of the landlines currently dedicated to the master control unit. On average, cellular monitoring costs the end user significantly less than a dedicated landline. For each landline replaced with a TG-7FS, the monthly communications bill decreases.

By being able to signal failures to the central station within five minutes of an outage, the TG-7FS can be installed as the sole path for commercial fire installations. For existing installations, all landlines can be swapped for a single TG-7FS because of the new five minute supervision mode.

The TG-7FS can also be installed as a backup path, and upgraded to sole path at a later date.



Telguard Online

Telguard makes adopting cellular easy with a secure Internet portal. The straightforward web interface allows security dealers and central stations to quickly and efficiently access Telguard based services 24/7. This advanced tool has multi-level user authorization and provides total account management of UL Listed Telguard cellular alarm communicators.

Telguard Cellular Service

Telguard Cellular Service provides nationwide digital cellular network coverage for all Telguard units. Telguard's Communication Center is UL listed and provides seamless connectivity between the alarm panel, the Telguard family of products and the central station. Telguard Technical Support provides a single point of contact for both cellular service and Telguard product questions.

Advanced Reliability

- Available relay output for tripping the alarm control panel when a trouble condition occurs.
- Automatic self-tests with central station notification ensure the cellular system is operating.
- 128 bit AES (Advanced Encryption Standard) alarm signals ensure authentication and security.
- Features SMS backup to reduce false alarms, providing supervision using SMS if GPRS fails.



TELGUARD

TG-7FS

CELLULAR ALARM COMMUNICATOR

Power

- Transmit power: 1.0W-2.0W (maximum allowable).
- Power Consumption: 60mA (Standby) 250mA (Transmission).
- Transformer: 12VAC, 800mA UL listed plug-in.

Radio Transceiver

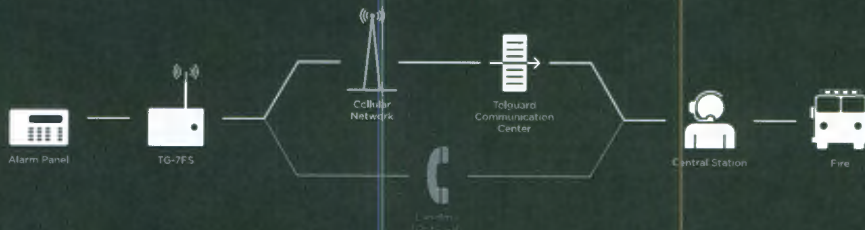
- Dual band cellular and PCS.
- GSM 850MHz: Class 4 (2 watts).
- GSM 1900MHz: Class 1 (1 watt).
- Antenna: 9" dipole with 2dBi gain, 12 ft of cable and universal mounting bracket.
- FCC part 15, 22, 24 and 68 compliant.

Physical Details

- TG-7FS: 7.5" H x 11.5" W x 3.5" D
- Shipping Weight: 8lbs
- Operating Environment: 0°C to +50°C; up to 95% humidity (non-condensing).

Standard Features

- Full data reporting.
- Automatic self-test (5 min. & daily).
- Power supply with battery harness.
- Locking, red metal enclosure.
- Two programmable supervisory trip outputs.
- Alarm format support for SIA2, Contact ID, pulse (3x1, 4x2), modem IIe, & IIIa2, DMP.
- Telephone line monitor built-in, with Standard Line Security.



Telguard technology allows full data reporting for unlimited point-to-point signal details and maximum transmitting power for superior in-building penetration.

Telguard products are easy to install, economical, and UL Listed.

Accessories

- ACD 12, ACD 35, ACD 50, ACD 100: 12/35/50/100 feet of low loss, high performance cable.
- HGD-0: High gain directional antenna.
- EXD-0: External antenna.

UL Listings

Commercial Fire
864 • Control units & accessories for fire alarm systems

Commercial Burglary
365 • Police Station connected burglar alarm units and systems
1610 • Central station burglar alarm units

Residential
985 • Household fire warning systems
1023 • Household burglar alarm systems



Telguard, a Division of Telular Corporation, 2727 Paces Ferry Road, SE, Suite 1-800, Atlanta, GA, 30339, USA, 877-428-4238. www.Telguard.com. Copyright ©2010 Telular Corporation. All rights reserved.



Altronix®

AL602ULADA, AL802ULADA, AL1002ULADA NAC Power Extenders

Rev. AL602/802/1002ULADA- A051

Overview



The AL602ULADA, AL802ULADA and AL1002ULADA are extremely cost effective voltage regulated remote NAC Power Extenders. They may be connected to any 12 or 24 volt Fire Alarm Control Panel (FACP). Primary applications include Notification Appliance Circuit (NAC) expansion (supports ADA requirements) and will provide auxiliary power to support system accessories.

AL602ULADA

- 24VDC or 12VDC rated @ 6.5 amp max.
- Two (2) Class A or four (4) Class B outputs.

AL602ULADAJ

- Larger enclosure.

AL802ULADA

- 24VDC or 12VDC rated @ 8 amp max.
- Two (2) Class A or four (4) Class B outputs.

AL802ULADAJ

- Larger enclosure.

AL1002ULADA

- 24VDC rated @ 10 amp max.
- Two (2) Class A or four (4) Class B outputs.

AL1002ULADAJ

- Larger enclosure.

Specifications

- Two (2) Class A or two (2) Class B FACP inputs.
- Two (2) NC dry contact trigger inputs (AL802ULADA and AL1002ULADA only)
- Two (2) Class A or four (4) Class B indicating circuits.
- Two (2) Class B outputs may be paralleled for more power on an indicating circuit.
- One (1) Aux. Power Output @ 1 amp supply current (w/battery back up).
- Signal Circuit Trouble Memory - facilitates quickly locating intermittent system trouble and eliminates costly and unnecessary service calls. LED's indicate a prior fault (short, open, ground) has occurred on one or more signaling circuit outputs.
- 2-wire Horn/Strobe Sync mode allows audible notification appliances (Horns) to be silenced while visual notification appliances (Strobes) continue to operate.
- Horn/Strobe sync protocols include: Gentex®, System Sensor®, Faraday, Amseco.
- Temporal Code 3 Mode.
- Steady Mode.
- Input to Output Follower Mode (maintains synchronization of notification appliance circuits).
- March Time.
- Compatible with 24VDC or 12VDC fire panels.
- Common trouble inputs and outputs.
- Ground fault detection.
- Input 115VAC.
- AC fail supervision (form "C" contacts).
- Low battery supervision (form "C" contacts).
- Battery presence supervision (form "C" contacts).
- Power supply, logic board, red enclosure, cam lock, transformer & battery leads.
- Enclosure:
 - Combination knockouts re 1/2" and 3/4"
 - Accommodates up to two (2) 12VDC/12AH batteries.

Agency Approvals



UL Listed Control Units and Accessories for Fire Alarm Systems (UL 864), UL Listed Standard for Safety for Fire Protective Signaling Systems (UL 1481).



California State Fire Marshal Approved.



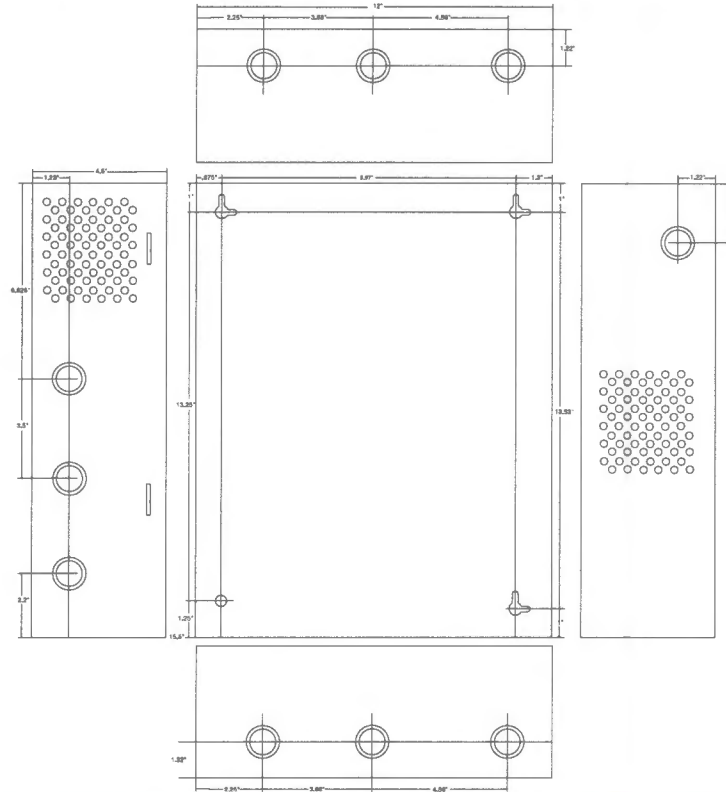
MEAs NYC Department of Buildings Approved.



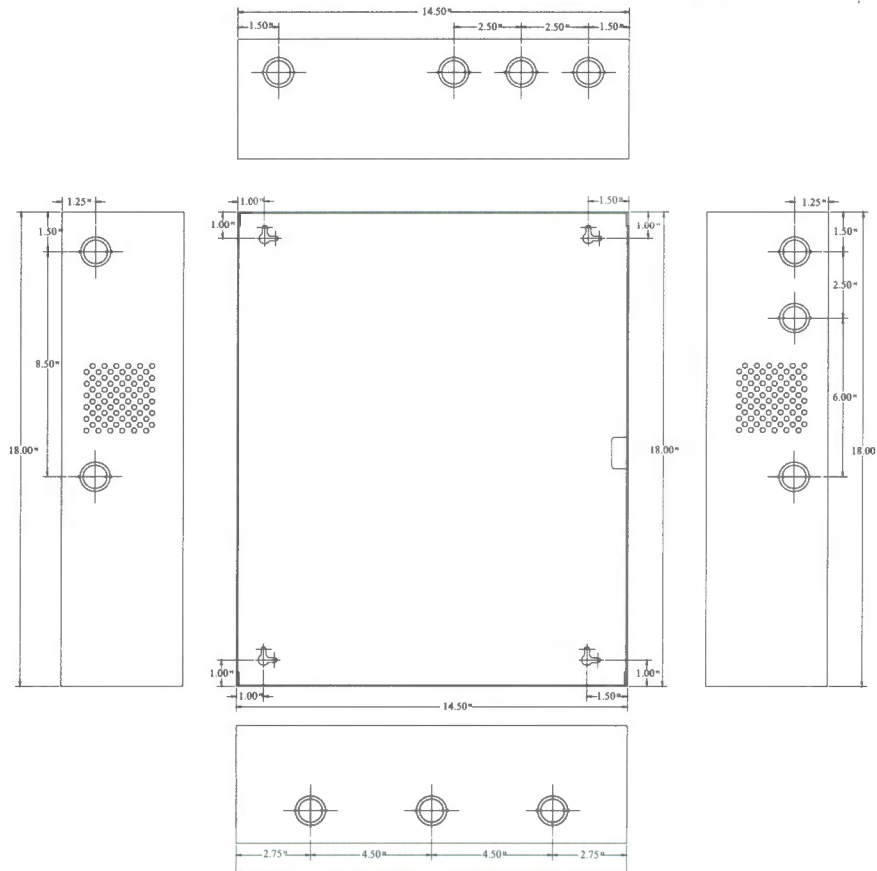
Factory Mutual Approved.

Enclosure Dimensions

AL602ULADA, AL802ULADA and AL1002ULADA: 15.5"H x 12"W x 4.5"D

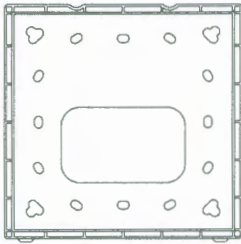


AL602ULADAJ, AL802ULADAJ and AL1002ULADAJ: 18"H x 14.5"W x 4.625"D



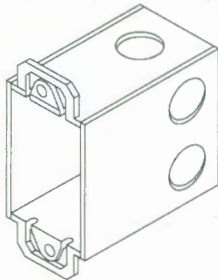
Mounting Matrix and Details

(A) UNIVERSAL MOUNTING PLATE



"AS" Mounting (item included with AS series devices)

(B) SINGLE-GANG, FLUSH (BO)

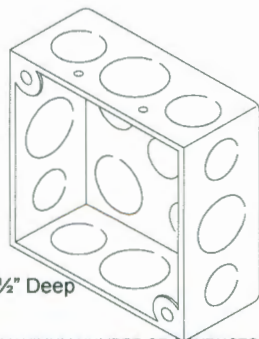


MAXIMUM NUMBER OF CONDUCTORS

AWG. #18	AWG. #16	AWG. #14	AWG. #12
4	4	4	4

Used with Series AH, AS, MH, NH, NS, ST

(D) 4" SQUARE, FLUSH (BO)



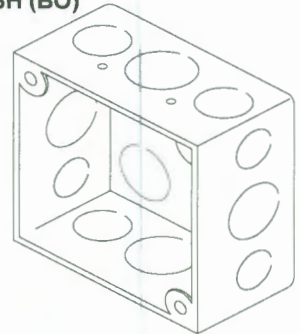
1-1/2" Deep

MAXIMUM NUMBER OF CONDUCTORS

AWG. #18	AWG. #16	AWG. #14	AWG. #12
4	4	4	4

Used with Series MH115, B6, B10, AH, AS, HS, MBDC, MTH, NH, NS, ST

(E) 4" SQUARE, DEEP, FLUSH (BO)



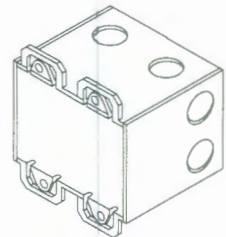
2-1/8" Deep

MAXIMUM NUMBER OF CONDUCTORS

AWG. #18	AWG. #16	AWG. #14	AWG. #12
8	8	8	8

Used with Series MH115, B6, B10, AH, AS, SETSF, SET-ULC, HS, MBDC, MTH, NH, NS, ST

(F) DOUBLE-GANG, FLUSH (BO)



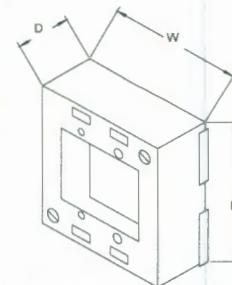
MAXIMUM NUMBER OF CONDUCTORS

AWG. #18	AWG. #16	AWG. #14	AWG. #12
4	4	4	4

Used with Series AH, AS, HS, MT, NH, NS, ST

(G) DOUBLE-GANG, SURFACE (BO)

L	W
4-3/4"	4-3/4"
D.	GANG #
1-3/4"	2



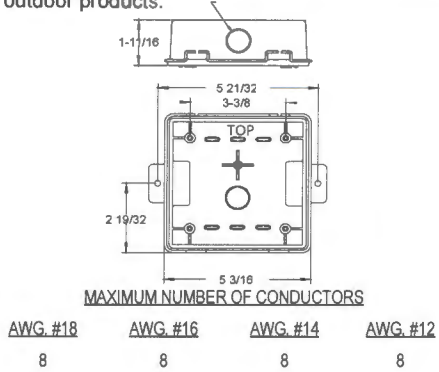
MAXIMUM NUMBER OF CONDUCTORS

AWG. #18	AWG. #16	AWG. #14	AWG. #12
4	4	4	4

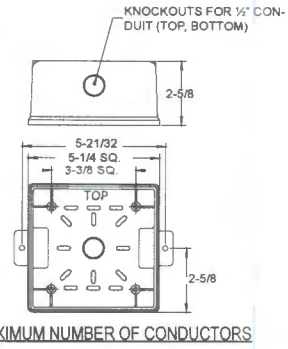
Used with Series AH, AS, NH, NS, ST

(I) WPBBS (ORDER CODE: RED 500-636137)

Plastic backbox for surface mounting series AS weather-proof outdoor products.



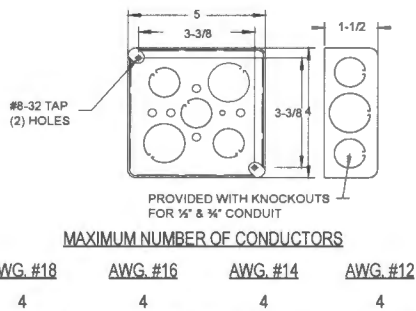
(M) MT-SUR-BOX BACKBOX (ORDER CODES: RED 500-693168, WHITE 500-636118)



Used with Series SET, HS, MTH, MTWP. For surface mounting MT products.

(J) BBS BACKBOX (ORDER CODES: RED 500-636110)

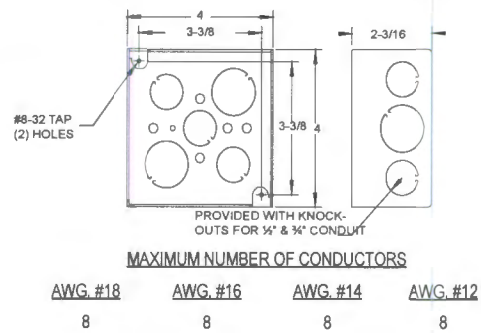
Standard steel backbox with knockouts for interior surface mounting, concealed conduit mounting or semi-flush applications.



Used with Series MH115, B6, B10, AH, AS, MBDC, MTH-15-115, NH, NS, ST

(N) DBBS BACKBOX (ORDER CODE: RED 500-636111)

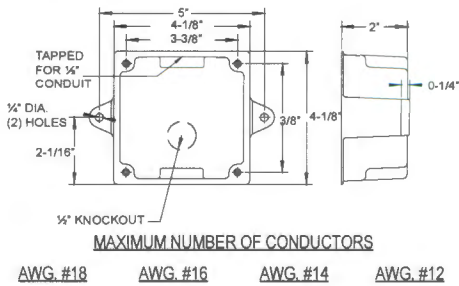
Standard steel backbox provided with knockouts for interior surface mounting, concealed conduit mounting or semi-flush applications.



Used with Series MH115, B6, B10, AH, AS, SETSF, HS, MBDC, MTH, NH, NS, ST

(K) WBBS WEATHER RESISTANT BACKBOX (ORDER CODES: RED 500-636129, WHITE 500-636131)

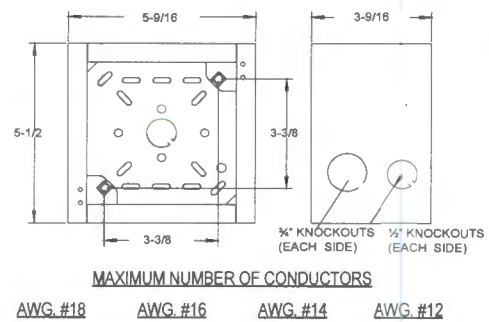
Sturdy die cast housing, threaded conduit hole and knockout for outdoor applications.



Used with Series MH115, B6, B10, SETSF, MBDC, MTH-15-115

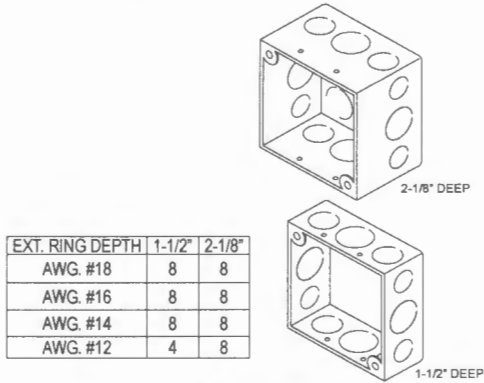
(P) SBBS BACKBOX (ORDER CODES: RED 500-636119, WHITE 500-636120)

For surface mounting speakers, chimes, and electronic applications.



Used with Series B6, B10, CH, SEF, SET, SETFL, HS, MBDC, MTH, NH, NS, ST

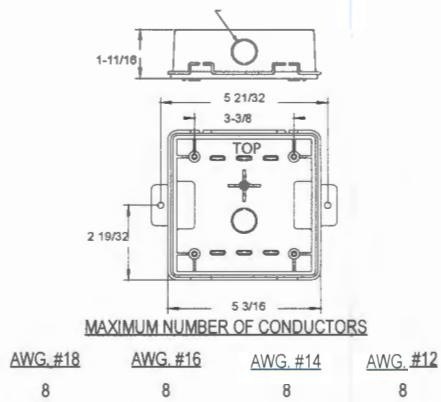
(Q) 4" SQUARE DEEP W/ EXTENSION RING, FLUSH (BO)



EXT. RING DEPTH	1-1/2"	2-1/8"
AWG. #18	8	8
AWG. #16	8	8
AWG. #14	8	8
AWG. #12	4	8

Used with Series CH, SEF, SET, SETFL

(T) WPSEBS (ORDER CODES: RED 500-636139, WHITE 500-636140)



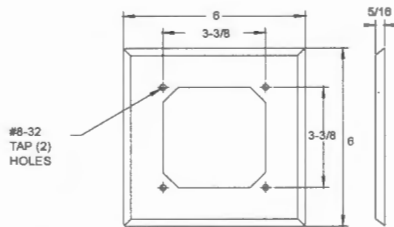
MAXIMUM NUMBER OF CONDUCTORS

AWG. #18	AWG. #16	AWG. #14	AWG. #12
8	8	8	8

Used with Series ST-WP

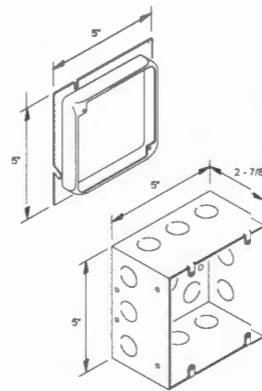
(R) SFPS SEMI-FLUSH PLATE (ORDER CODES: RED 500-636124, WHITE 500-636125)

Stamped aluminum surface wall plate which mounts behind the basic unit and serves to cover recessed backboxes in semi-flush mounting applications.



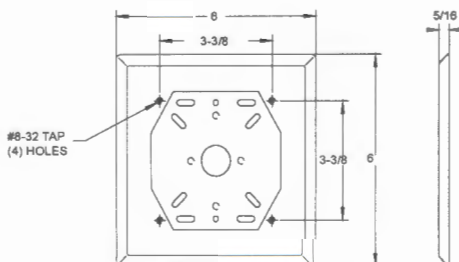
Used with Series MT, SET, SE, NH, NS, ST

(U) 5" SQUARE BACKBOX W/ EXTENSION RING, FLUSH (BO)



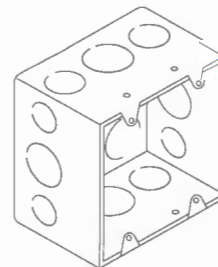
(S) APS ADAPTER PLATE (ORDER CODE: RED 500-630109)

Stamped aluminum adapter plate designed for applications where semi-flush installations cannot be used. The plate can be mounted to standard octagon or round backboxes single or double gang boxes or plaster rings. The backbox and basic unit are then fastened to the plate. This type mounting is referred to as a concealed conduit installation.



Used with Series MBDC

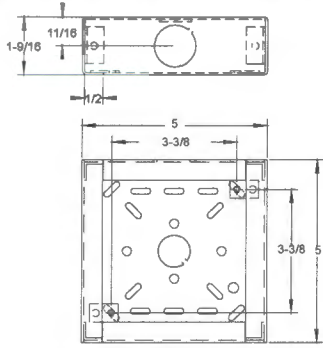
(W) 4 1/16" SQUARE, DEEP SURFACE (BO)



MAXIMUM NUMBER OF CONDUCTORS

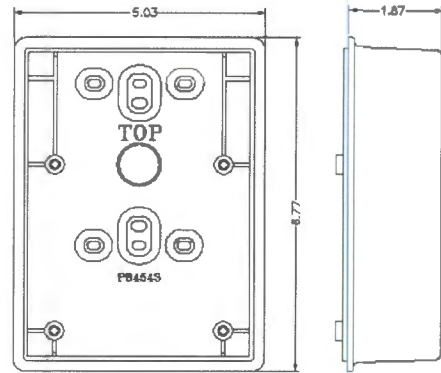
AWG. #18	AWG. #16	AWG. #14	AWG. #12
10	10	10	10

(X) SHBBS SQUARE, SURFACE BACKBOX
 (Order Codes: Red 500-636126, White 500-636127)



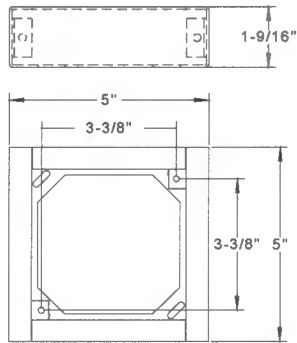
Used with Series AS, AH, NS, Z

(BB) SPSSB (ORDER CODES: RED 500-636114, WHITE 500-636115)



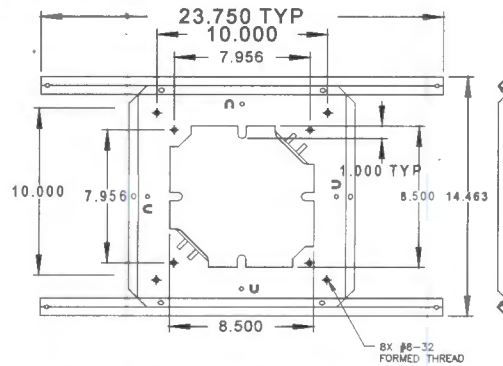
Used with Series SE-MC/HMC
 (wall mount speaker/ strobe)

(Y) SERS SQUARE SEMI-FLUSH EXTENSION RING (Order Codes: Red 500-636122, White 500-636123)



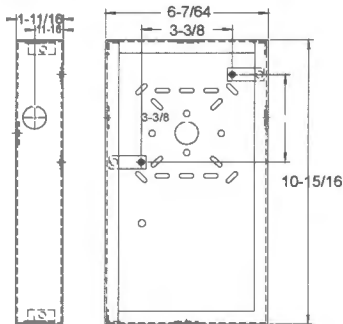
Used with Series CH, SEF, SET

(CC) SB-W 8" CEILING SUPPORT BRIDGE (ORDER CODE: WHITE 500-634882)

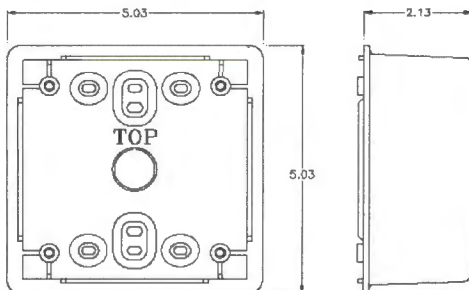


Used with Series S 8" Ceiling Speakers

(Z) SBL2S BACKBOX (Order Codes: RED 500-636121)

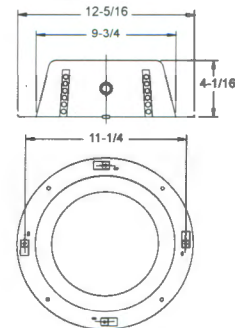


(AA) SPSB (Order Codes: Red 500-636112, White 500-363113)



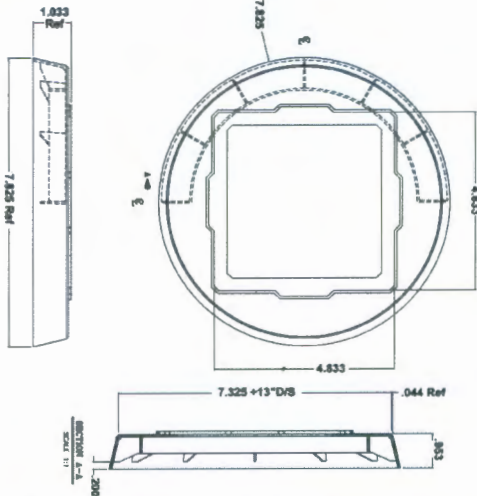
Used with Series SE Speakers

(DD) SE-1 8" CEILING SPEAKER BACKBOX (ORDER CODE: WHITE: 500-634881)



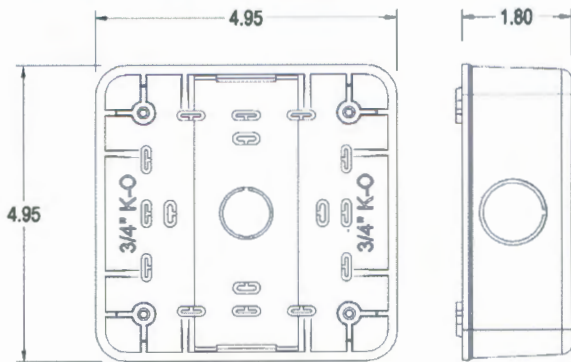
Used with 8" Ceiling Speakers

(EE) SPECT EXTENSION RING (ORDER CODE: RED 500-636116, WHITE 500-636117)



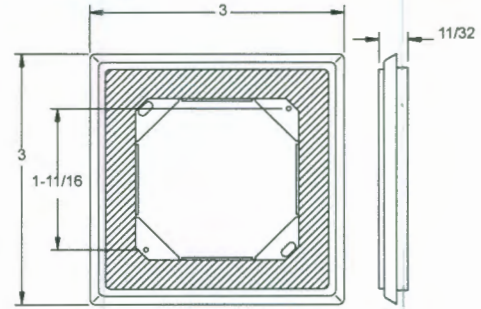
Used with Series SE-MC-C (ceiling mount strobe)

(FF) ZBB (ORDER CODES: RED 500-636193, WHITE 500-636194)



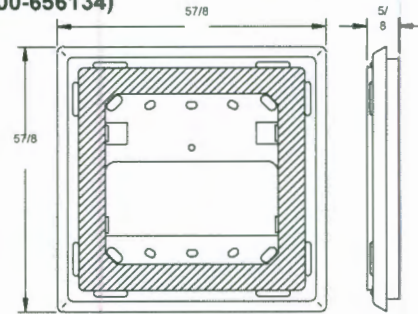
Used with Series Z

(GG) WFPS PLATE (ORDER CODES: RED 500-636135, WHITE 500-636136)



Used with MTH-WP, ST-WP

(HH) WFPAS PLATE (Order Codes: Red 500-363133, White 500-656134)



Used with AS-WP

MOUNTING MATRIX

	Series SET-C	Series ST	Series ST-MC-RETRO	Series MH115	Series SE	Series B10-115	Series CH	Series SETSF-B	Series SETSF	Series MBDC	Series SET/SET Wall Mount	Series SE-C	Series MH	Series MTH	Series NH/NS	Series HS	Series AS/AH	Series AH-WB(3), MT-WP(4), MTH	Series Z
(A) Universal Mounting Plate (included with AS series devices)																	X		
(B) 1-GANG x 2" Deep - Flush (BO)		X											X		X		X		X
(D) 4" x 4" x 1.5" Deep - Flush (BO)		X	X	X		X				X				X	X	X	X	X	X
(E) 4" x 4" x 2.125 Deep - Flush (BO)		X	X	X	X	X		X		X				X	X	X	X	X	X
(F) 2-Gang x 3.5" Deep - Flush (BO)		X						X		X				X	X	X	X		X
(G) 2-Gang x 1.75" Deep - Surface (BO)		X													X		X		
(I) WPBBS-R Weatherproof Backbox for AS-WP																			2
(J) BBS Surface (SP) Note 9		X		X		X				X					X				
(K) WBBS Weatherproof (SP)				X		X			X	X							X		3
(M) MT-SUR-BOX Surface & Weatherproof (SP)											X			X		X			4
(N) DBBS Surface (SP)			X	X		X			X	X				X	X	X			
(P) SBBS Surface (SP)		X	X			X	X	X	X	X				X	X	X	X		
(Q) 4" x 4" x 2.125" Box w/ 1.5" Extension Ring- Flush (BO)		X		X		X	X	X		X	X			X	X	X	X		
(R) SPT Semi-Flush Plate (SP)			X		X	X	X	X		X	X			X	X	X	X		
(S) APS Adapter Plate (SP)						X			X	X	X								
(T) WPSBBS-R Weatherproof Backbox for ST-WP																			1
(U) 5" Square Backbox w/ Extension Ring, Flush (BO)		X					X	X				X							
(V) 4.6875" x 4.6785" x 2.125" Deep Surface (BO)																			
(X) SHBBS (SP) Shallow Surface			X			X				X					X		X		
(Y) SERSSemi-Flush Extension Ring (Retrofit Appl.)		X					X				X								
(Z) SBLS-2 Surface (SP)		X	X	X		X	X	X		X									
(AA) SPSB Backbox for SE Speaker						X													
(BB) SPSSB Backbox for SE Speaker Strobe						X													
(EE) SPECT Extension Ring												X							
(FF) ZBB																			X

MOUNTING NOTES

Caution: The mounting options figures show the maximum number of field wires (conductors) that can enter the backbox used with each mounting option. If these limits are exceeded, there may be insufficient space in the backbox to accommodate the field wires and stresses from the wires could damage the product.

Although the limits shown for each mounting option comply with the National Electrical code (NEC), Siemens recommends use of the largest backbox option and the use of approved field wires whenever possible, to provide additional wiring room for easy installation and minimum stress on the product from wiring.

Caution: Check that the installed product will have sufficient clearance and wiring room prior to installing backboxes and conduit, especially if sheathed multiconductor cable or 3/4" conduit fittings are used.

1. Mounting hardware for each mounting option is supplied.
2. Conduit entrances to the backbox should be selected to provide sufficient wiring clearance for the installed product. When extension rings are required, conduit should enter through the backbox, not the extension ring. Use Steel City #53151 (1-1/2" deep) or #53171 (2-1/8" deep) extension rings (as noted in the mounting options) or equal with the same cut-out area.

3. When terminating field wires, do not use more lead length than required. Excess lead length could result in insufficient wiring space for the appliance.
4. Use care and proper techniques to position the field wires in the backbox so that they use minimum space and produce minimum stress on the product. This is especially important for stiff, heavy gauge wires and wires with thick insulation or sheathing.
5. Do not pass additional wires (used for other than the appliance) through the backbox "unless the backbox is of a sufficient size to permit additional wiring as described in NEC 314.16 (B)". Such additional wires could result in insufficient wiring space for the appliance.

NOTE: Due to continuous development of our products, specifications and offerings are subject to change without notice in accordance with Siemens Inc. standard terms and conditions.

BACKBOX MOUNTING HEIGHTS for SIEMENS WALL MOUNTED HORIZONTAL STROBE APPLIANCES NFPA-72 (2007)

7.5.4.1* Wall-mounted appliances shall be mounted such that the entire lens is not less than 2030 mm (80 in.) and not greater than 2440 mm (96 inc.) above the finished floor or at the mounting height specified using the performance-based alternative 7.5.4.5

7.5.4.2 Where low ceiling heights do not permit mounting at a minimum of 2030 mm (80 in.), visible appliances shall be mounted within 150 mm (6 in.) of the ceiling. The room size covered by a strobe of a given value shall be reduced by twice the difference between the minimum mounting height of 2030 mm (80 inc.) and the actual, lower mounting height.

Backbox Mounting Options*	Series AS/AH Audible Strobe		Series ST-MC-RETRO Flush and Surface Retrofit Plate		Series NS Horn Strobe		Series Z and ST Strobe		Series MTH Multitone	
	80 IN	6 IN	80 IN	6 IN	80 IN	6 IN	80 IN	6 IN	80 IN	6 IN
(B) 1-Gang x 2" Deep - Flush (BO)	77 1/2"	8 1/2"			78 3/8"	7 5/8"	79 1/8"	6 7/8"		
(D) 4" x 4" x 1.5" Deep - Flush (BO)	77"	9"	83 15/16"		77 7/8"	8 1/8"	78 5/8"	7 3/8"	79 15/16"	6 1/16"
(E) 4" x 4" x 2.125" Deep - Flush (BO)	77"	9"	83 15/16"		77 7/8"	8 1/8"	78 5/8"	7 3/8"	79 15/16"	6 1/16"
(F) 2-Gang x 3.5" Deep - Flush (BO)	77 1/2"	8 1/2"			78 3/8"	7 5/8"	79 1/8"	6 7/8"	80 9/16"	5 7/16"
(G) 2-Gang x 1.75" Deep - Surface (BO)	77 1/2"	8 1/2"			78 3/8"	7 5/8"	79 1/8"	6 7/8"	80 9/16"	5 7/16"
(M) MT-SUR-BOX Surface & Weatherproof (SP)									79 3/8"	6 5/8"
(P) SBBS Surface (SP)									79 1/4"	6 3/4"
(Q) 4" x 4" x 2.125" Box w/ 1.5" Extension Ring - Flush (BO)										
(U) 5" Square Backbox w/ Extension Ring, Flush (BO)	69 1/2"	8 1/2"	83 7/16"		77 3/8"	7 5/8"	78 1/8"	6 7/8"	79 7/16"	5 9/16"
(X) SHBBS (SP) Shallow Surface	76 1/2"	9 1/2"			77 3/8"	8 5/8"	78 1/8"	7 7/8"		
(Y) 4" x 4" x 1.5" Box w/ 1.5" Extension Ring Plate (BO)										
(Z) SBL2S Surface (SP)			78"							
(FF) ZBB	*						78 1/8"	7 7/8"		

Backbox Mounting Options*	Series CH Chime Strobe		Series SET-V Speaker Strobe		Series SEF-C Speaker Strobe		Series SET-C Speaker Strobe	
	80 IN	6 IN	80 IN	6 IN	80 IN	6 IN	80 IN	6 IN
(P) SBB Surface (SP)	77 3/4"	8 1/4"	79 3/16"	6 13/16"	77 3/4"	8 1/4"	77 3/4"	8 1/4"
(Q) 4" x 4" x 2.125" Box w/ 1.5" Extension Ring - Flush (BO)	77 1/2"	7 1/2"	80"	6"	78 1/2"	7 1/2"	78 1/2"	7 1/2"
(U) 5" Square Backbox w/ Extension Ring - Flush (BO)	78"	7"	79 1/2"	5 1/2"	78"	7"	78"	7"
(X) SHBB (SP) Shallow Surface								
(Y) 4" x 4" x 1.5" Box w/ 1.5" Extension Ring Plate - Flush (BO)	78 1/2"	7 1/2"	80"	6"				

* Measured from Bottom of Backbox

NOTES: (BO) = By Others (SP) = Siemens Product

WARNING: PLEASE READ THESE SPECIFICATIONS AND INSTALLATION INSTRUCTIONS CAREFULLY BEFORE USING, SPECIFYING OR APPLYING THIS PRODUCT. FAILURE TO COMPLY WITH ANY OF THESE INSTRUCTIONS, CAUTIONS AND WARNINGS COULD RESULT IN IMPROPER APPLICATION, INSTALLATION AND/OR OPERATION OF THESE PRODUCTS IN AN EMERGENCY SITUATION, WHICH COULD RESULT IN PROPERTY DAMAGE, AND SERIOUS INJURY OR DEATH TO YOU AND/OR OTHERS.



Siemens Building Technologies, Inc.
8 Fernwood Road • Florham Park, NJ 07932
Tel.: (973) 593-2600 • Fax: (973) 593-6670
Web: www.faradayfirearms.com

8/07 2M SBT/G

August 2007 - New Issue



D8004 Transformer Enclosure



The D8004 Transformer Enclosure protects the AC plug-in transformer and ensures that it remains securely fixed to the AC wall outlet. The D8004 Transformer Enclosure may be required for certain applications; the most common being fire alarm.

Certifications and Approvals

Region	Certification
USA	<p>UL AMCX: Central Station Alarm Units (UL1610, UL1635), AOTX: Local Alarm Units (UL464, UL609), APAX: Police Station Alarm Units (UL365, UL464), NBSX: Household Burglar Alarm System Units (UL1023), UOXX: Control Unit Accessories, System (UL864, 9th edition), UTOU: Control Units and Accessories - Household System Type (UL985)</p> <p>FM</p> <p>CSFM 7167-1615: 100, 7165-1615: 112, 7165-1615: 119</p> <p>NYC-MEA 12-92-E, Vol. 12 12-92-E, Vol. 15</p>

Technical Specifications

Environmental Considerations

Environment: Indoor, dry

Mechanical Properties

Cover

Color:	Light gray
Dimensions:	8.8 in. x 4.7 in. x 3.0 in. (22.4 cm x 11.9 cm x 7.6 cm)
Material:	Cold-rolled steel, 18 gauge (1.2 mm)

Outlet Box

Dimensions:	8.7 in. x 4.6 in. x 1.7 in. (22.1 cm x 11.7 cm x 4.3 cm)
Material:	Galvanized steel, 18 gauge (1.2 mm)

Power Requirements

Voltage (supply): 120 VAC

Ordering Information

D8004 Transformer Enclosure **D8004**
For applications such as fire alarm that might require a transformer enclosure.

Americas:
Bosch Security Systems, Inc.
130 Perinton Parkway
Fairport, New York, 14450, USA
Phone: +1 800 289 0096
Fax: +1 585 223 9180
security.sales@us.bosch.com
www.boschsecurity.us

Europe, Middle East, Africa:
Bosch Security Systems B.V.
P.O. Box 80002
5600 JB Eindhoven, The Netherlands
Phone: + 31 40 2577 284
Fax: +31 40 2577 330
emea.securitysystems@bosch.com
www.boschsecurity.com

Asia-Pacific:
Robert Bosch (SEA) Pte Ltd, Security Systems
11 Bishan Street 21
Singapore 573943
Phone: +65 6571 2600
Fax: +65 6571 2698
apr.securitysystems@bosch.com
www.boschsecurity.com

Represented by

**NO
EXCUSES!**



NFPA 72 section 6.2.2.1 states, "A record of installed software and firmware version numbers shall be maintained at the location of the fire alarm control unit." The FDB is large enough to hold Operating Manuals, Permits, Shut-Down Instructions and more.

Standard Features:

- Overall Dimensions are:
12" Wide x 13.1" High x 2.25" Deep
- CAT 30 Secured Locking Door
- Piano Hinged Door w/Notes Sticker
- Removable document holder can hold 1" of 8.5" x 11" paperwork
- Powder Coat Red Finish
- 16 Gauge CRS construction
- Embossed:
 - Key Ring Hooks
 - Business Card Holder
 - CD Case Slot
- 1.4 Oz. can of detector test gas
- Private labeling available



ISO 9001
REGISTERED
COMPANY



FDB

Fire Alarm Control Unit (FACU) Records & Document Box

The Space Age FDB has been developed to be a code compliant solution to a mandated item specified by the National Fire Code (NFPA 72).

An internal galvanized sleeve holds the documents safely and securely. Access to the documents is via a high security CAT 30 Lock Set.

The galvanized sleeve also contains 2 hooks for key rings or thumb drives, a place for several business cards, a cutout for a 1.4 Oz. can of test gas and a slot where a standard CD "jewel" case can be stored.

Held in by two "wing nuts" the sleeve is easily removable to allow storage of a 1.5" 3 ring binder.

The door reads "FACU MAINTENANCE RECORDS" in 1" tall white lettering. Custom Logo and Lock Sets are available upon request.



ACEBOX

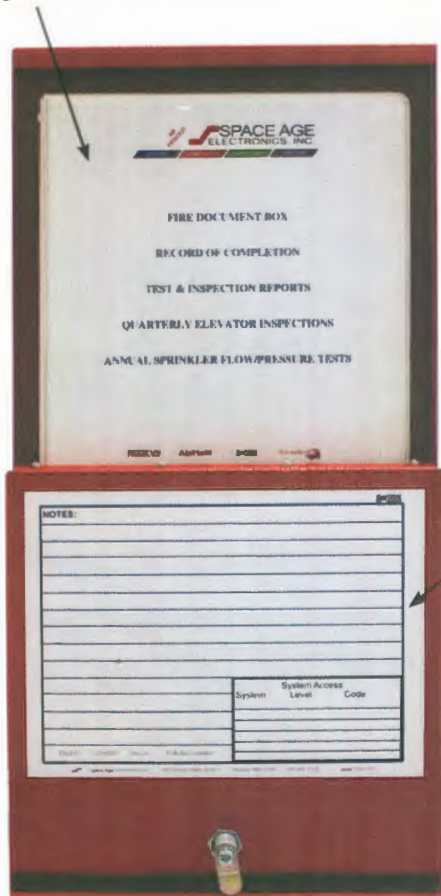
Space Age Electronics, Inc.
www.1sae.com
800.486.1723 Toll Free
508.485.0966 Local
508.485.4740 Fax

Specifications:

The Fire Document Box (FDB) shall be constructed of 16 gauge cold rolled steel (CRS), it shall be painted with a durable red powder coat paint. The front door shall be lettered with the words "FACU MAINTENANCE RECORDS" in White indelible letters 1" in height. The door of the FDB shall be locked with a keyed lock (standard shall be CAT 30, but others shall be available along with Private Labeling).

Inside the cabinet shall contain a 16 gauge galvanized CRS sleeve. This sleeve shall allow for the storage of 1" of paper, test and inspection records, manuals and other important documents. The sleeve shall also facilitate the hanging of key rings and thumb drives (for data storage) along with business cards and space for a CD 'jewel' case. The unit shall also contain a 1.4oz can of smoke detector test gas. Inside the door shall have a "Notes" label for the recording of valuable information such as AHJ approvals, various system codes and the location of hard to find devices.

If so desired, the internal sleeve (held in by 2 wing nuts) may be removed and the space used to insert a 1.5" 3 ring binder.



NOTES:		
EA2813	LT10507	Rev. A
FDB Door Sticker		
System Access:		
System	Level	Code

Notes Sticker inside FDB Door

Ordering Information:

Part #	Description
SSU00672	FDB Fire Document Box
SSU00673	FDB Custom Logo/lock
(ask for Form FD10498 to order custom box)	
CK1	Replacement 1.4 Oz Test Gas

AG30X
Space Age Electronics, Inc.
www.isae.com
800.486.1723 Toll Free
508.485.0966 Local
508.485.4740 Fax

No Excuses, Just Solutions!

This document is subject to change without notice, see doc # ED0479 for legal disclaimer



Photoelectric Smoke Detectors

System Sensor's i³™ series smoke detectors represent significant advancement in conventional detection. The i³ family is founded on three principles: installation ease, intelligence, and instant inspection.



Features

- Plug-in detector line, mounting base included
- Large wire entry port
- In-line terminals with SEMS screws
- Mounts to octagonal and single-gang backboxes, 4-square backboxes, or direct to ceiling
- Stop-Drop 'N Lock attachment to base
- Removable detector cover and chamber
- Built-in remote maintenance signaling
- Drift compensation and smoothing algorithms
- Simplified sensitivity measurement
- Wide angle, dual color LED indication
- Loop testing via EZ Walk feature
- Built-in test switch

Installation ease. The i³ line redefines installation ease with its plug-in design. This allows an installer to pre-wire the bases included with the heads. The large wire entry port and in-line terminals provide ample room for neatly routing the wiring inside the base. The base accommodates a variety of back box mounting methods, as well as direct mounting with drywall anchors. To complete the installation, i³ heads plug in to the base with a simple Stop-Drop 'N Lock™ action.

Intelligence. i³ detectors offer a number of intelligent features to simplify testing and maintenance. Drift compensation and smoothing algorithms are standard with the i³ line to minimize nuisance alarms. Two-wire i³ detectors needing clearing can generate a remote maintenance signal, when connected to the 2W-MOD2 loop test/maintenance module, or to a panel equipped with the i³ protocol. This signal is indicated by LEDs located at the module and the panel. The SENS-RDR, a wireless device, displays the sensitivity of i³ detectors in terms of percent per-foot-obscuration.

Instant inspection. The i³ series provides wide-angle red and green LED indicators for instant inspection of the detector's condition: normal standby, out-of-sensitivity, alarm, or freeze trouble. When connected to the 2W-MOD2 loop test/maintenance module or a panel with the i³ protocol, the EZ Walk loop test feature is available on two-wire i³ detectors. This feature verifies the initiating loop wiring by providing LED status indication at each detector.

Agency Listings



Smoke Detector Specifications

Architectural/Engineering Specifications

Smoke detector shall be a System Sensor P Series model number _____, listed to Underwriters Laboratories UL 268 for Fire Protection Signaling Systems. The detector shall be a photoelectric type (Model 2W-B, 4W-B) or a combination photoelectric/thermal (Model 2WT-B, 4WT-B) with thermal sensor rated at 135°F (57.2°C). The detector shall include a mounting base for mounting to 3½-inch and 4-inch octagonal, single gang, and 4-inch square back boxes with a plaster ring, or direct mount to the ceiling using drywall anchors. Wiring connections shall be made by means of SEMS screws. The detector shall allow pre-wiring of the base and the head shall be a plug-in type. The detector shall have a nominal sensitivity of 2.5 percent-per-foot nominal as measured in the UL smoke box. The detector shall be capable of automatically adjusting its sensitivity by means of drift compensation and smoothing algorithms. The detector shall provide dual color LED indication which blinks to indicate power up, normal standby, out of sensitivity, alarm, and freeze trouble (Model 2WT-B, 4WT-B) conditions. When used in conjunction with the 2W-MOD2 module, 2-wire models shall include a maintenance signal to indicate the need for maintenance at the alarm control panel, and shall provide a loop testing capability to verify the circuit without testing each detector individually.

Electrical Specifications

Operating Voltage	Nominal: 12/24V non-polarized Minimum: 8.5V Maximum: 35V
Maximum Ripple Voltage	30% peak to peak of applied voltage
Standby Current	2-wire: 50 µA maximum average; 4-wire: 50 µA maximum average
Maximum Alarm Current	2-wire: 130 mA limited by control panel; 4-wire: 20 mA @12V, 23mA @ 24V
Peak Standby Current	2-wire: 100 µA; 4-wire: n/a
Alarm Contact Ratings	2-wire: n/a; 4-wire: 0.5 A @ 30V AC/DC

Physical Specifications

Dimensions (including base)	5.3 inches (127 mm) diameter; 2.0 inches (51 mm) height
Weight	6.3 oz. (178 grams)
Operating Temperature Range	2W-B and 4W-B: 32°F–120°F (0°C–49°C); 2WT-B and 4WT-B: 32°F–100°F (0°C–37.8°C)
Operating Humidity Range	0 to 95% RH non-condensing
Thermal Sensor	135°F (57.2°C) fixed
Freeze Trouble	2WT-B and 4WT-B only: 41°F (5°C)
Sensitivity	2.5%/ft. nominal
Input Terminals	14–22 AWG
Mounting	3½-inch octagonal back box 4-inch octagonal back box Single gang back box 4-inch square back box with a plaster ring Direct mount to ceiling

LED Modes		Power Up Sequence for LED Indication		
LED Mode	Green LED	Red LED	Condition	Duration
Power up	Blink every 10 seconds	Blink every 10 seconds	Initial LED status indication	80 seconds
Normal (standby)	Blink every 5 seconds	off		
Out of sensitivity	off	Blink every 5 seconds		
Freeze trouble	off	Blink every 10 seconds		
Alarm	off	Solid		

Ordering Information

Model	Thermal	Wiring	Alarm Current
2W-B	No	2-wire	130 mA max. limited by control panel
2WT-B	Yes	2-wire	130 mA max. limited by control panel
4W-B	No	4-wire	20 mA @ 12V, 23mA @ 24V
4WT-B	Yes	4-wire	20 mA @ 12V, 23mA @ 24V

Accessories

2W-MOD2	2-wire loop test / maintenance module	RT	Removal / replacement tool
SENS-RDR	Sensitivity reader	A77-AB2	Retrofit adapter bracket, 6.6 in. (16.76cm) diameter



3825 Ohio Avenue • St. Charles, IL 60174
Phone: 800-SENSOR2 • Fax: 630-377-6495

©2006 System Sensor
Product specifications subject to change without notice. Visit systemsensor.com for current product information, including the latest version of this data sheet.
A05-0318-006 - 7/06 - #1676

5817CB

WIRELESS COMMERCIAL TRANSMITTER



The 5817CB is a universal contact-monitoring transmitter that can be used with household and commercial fire and burglary-initiating devices such as door/window contacts, motion and glassbreak detectors, sprinkler water flow

switches, tamper switches, post indicator valves, manual pull stations and remote duct detectors. Upon activation, it emits an RF signal to a control panel, sending a burglary or fire alarm to a central station.

FEATURES

- The 5817CB has three unique input loops (zones).
- The first loop (primary loop) is supervised and typically used for high-priority alarm reporting such as commercial fire or burglary.
- The second loop is the built-in, normally closed reed switch used in conjunction with magnet.
- The third loop is another normally closed household burglary loop. All three loops may be used.
- A fourth (automatically enrolled) loop contains two tamper switches to protect the 5817CB.

MOUNTING

1. Remove the transmitter cover by inserting the flat blade of a small screwdriver into the pry-off slot at the bottom end of the unit (on the right side closest to the cover's decorative ribs and twisting).
2. Disengage the supplied mounting plate from the unit by inserting the blade of a small screwdriver into the mounting plate release hole (see Diagram 2) and pushing the locking tab out (see Diagram 1). Slide the mounting plate downward along the case back.

Note: For this application, the alignment guide strip along one edge of the mounting plate serves no function and may be broken away, if desired.

3. If concealed wiring is to be used, feed the wires through the concealed wiring entry hole on one corner of the plate (surface wiring is mentioned in step 5 below).
4. Install the mounting plate, with its caseholding posts pointing up, in the location selected as described in the

installation instructions. Use the two flat-head screws supplied. Note: To ensure proper operation of the unit's back tamper (when it is separated from the mounting plate), the screws must be anchored to a wall stud or other solid wood material.

5. Set the DIP switch (after the control panel has enrolled the transmitter's input ID's) for the desired primary loop characteristics, as described in the table on the following page.

5817CB

WIRELESS COMMERCIAL TRANSMITTER

Primary Loop Options Table				
Switch Setting	DIP Switch Position			
	1	2	3	4
On	Repeating transmission (every 4 sec.) upon primary loop fault use for high priority alarm, such as fire.	Switch must always be in the on position	Switch must always be in the on position	Switch must always be in the off position
Off	Single transmission per primary loop change-of-state			

Notes: a. In order for the control panel to enroll the transmitter, the DIP switches must be Set to OFF-ON-ON-OFF (see Diagram 2).
b. The auxiliary loops are not affected by the DIP switch settings.

Wiring Connections

Connect the loop wiring to the unit's terminals before installing the battery (see Diagram 2).

Notes: a. Primary loop 1 is a supervised loop and must have an end-of-line (EOL) resistor (470K ohms, supplied) placed across the sensor. Additionally, for primary loop 1, a contact device may not be installed more than 20 feet from the transmitter.

b. If loop 2 is not going to be used, the magnet is not necessary.

c. If loop 3 is not going to be used, no connection is needed across its terminals. For UL household burglary and fire installations, the loop 3 contact device (if used) may not be more than 3 feet from the transmitter.

SPECIFICATIONS:

• Dimensions:

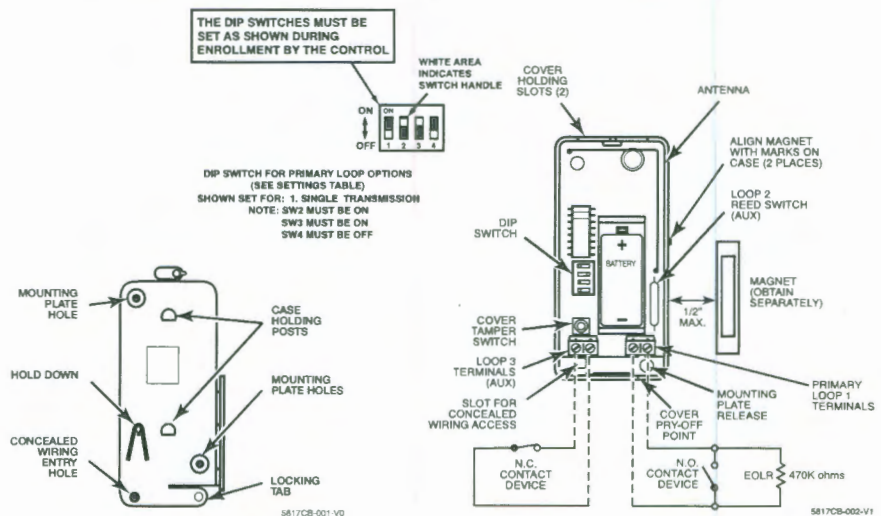
- 1-9/16"W x 3-1/2"H x 1-3/16"D
(40mm x 89mm x 30mm)

- Battery 3v Lithium

(see BATTERY INSTALLATION AND REPLACEMENT).

• UL Listings:

- Commercial Fire UL864
- Household Fire UL985
- Household Burg UL1023
- Commercial Burg UL365, UL609, UL1076, UL1610



Note: For UL commercial and household fire installations, only one initiating device may be connected to this transmitter. For UL commercial burglary installations, multiple initiating devices may be used as long as the devices all service the same function such as door/window contacts, motion or glassbreak detectors. All initiating devices must be located within the same room.

ORDERING

5817CB Wireless Commercial/Household Transmitter

Honeywell Security & Custom Electronics

Honeywell
2 Corporate Center Drive Suite 100
P.O. Box 9040
Melville, NY 11747
www.honeywell.com

Honeywell

L/5817CB/D
August 2007
© 2007 Honeywell International Inc.

UL

A response type 19 (24-Hour Trouble) must be programmed for zones 990 (1st receiver) and 988 (2nd receiver) for UL installations.

- The 5881ENHC receiver contains front and back tampers that permit its use in commercial burglary installations.
- You may only mount the 5881ENHC its own plastic housing. Otherwise, the receiver constantly reports a tamper condition.
- The control checks the receiver connections about every 20 seconds. The receiver supervisory zone is 8 + 2-digit receiver device address (for example, Device address 05 = supervisory zone 805).
NOTE: This zone must be programmed with a response type (e.g., type 19 24-Hour Trouble) before it supervises the connection to the receiver.
- Use two identical receivers to provide either a greater area of coverage or redundant protection. They must be set for different addresses.
- Any zone from 1 to 250 can be used as a 5800 Series wireless zone, with the exception of zone 64 (reserved for a wireless keypad).

RF System Installation Advisories

- Place the receiver in a high, centrally located area. Do not place it on or near metal objects. This will decrease the range and/or block transmissions.
- Install the RF receiver at least 10 feet from the control panel or any keypads, to avoid interference from the microprocessors in these units.
- If dual receivers are used:
 - a. Both must be at least 10 feet from each other, as well as from the control panel and remote keypads.
 - b. Each receiver must be set to a different device address. The receiver set to the lower address is considered the 1st RF receiver for supervisory purposes.
 - c. The House IDs must be the same.
 - d. Using two receivers *does not* increase the number of transmitters the system can support (249 zones using the 5881H or 5883H).

Installation and Setup of the 5881/5883 RF Receivers

Take note of the address you select for the RF receiver, as this address must be enabled in the system's *Device Programming* in the #93 Menu Mode.

To install the 5881/5883 RF receiver, perform the following steps:

Step	Action
1	Mount the receiver, following the advisories stated previously. NOTE: Must be mounted in a 5800Box Enclosure.
2	Set the DIP switches in the receiver for the address (01-07). See <i>Figure 3-19</i> . Make sure the address setting is not being used by another device (keypad, relay module, etc.).
3	If installing a 5881ENHC , install a flat-head screw (supplied) in the case tamper tab as shown in <i>Figure 3-18</i> . When the receiver is pried from the wall, the tamper tab will break off and remain on the wall. This will activate a tamper switch in the receiver and cause generation of a tamper signal. Note that this signal will also be generated when the receiver's front cover is removed.
4	Connect the receiver's wire harness to the keypad terminals (11, 12, 13 and 14). Plug the connector at the other end of the harness into the receiver.
5	Refer to the Installation Instructions provided with the receiver for installations regarding antenna mounting, etc.

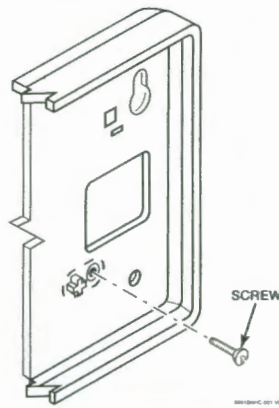


Figure 3-18: Installing the 5881ENHC with Tamper Protection

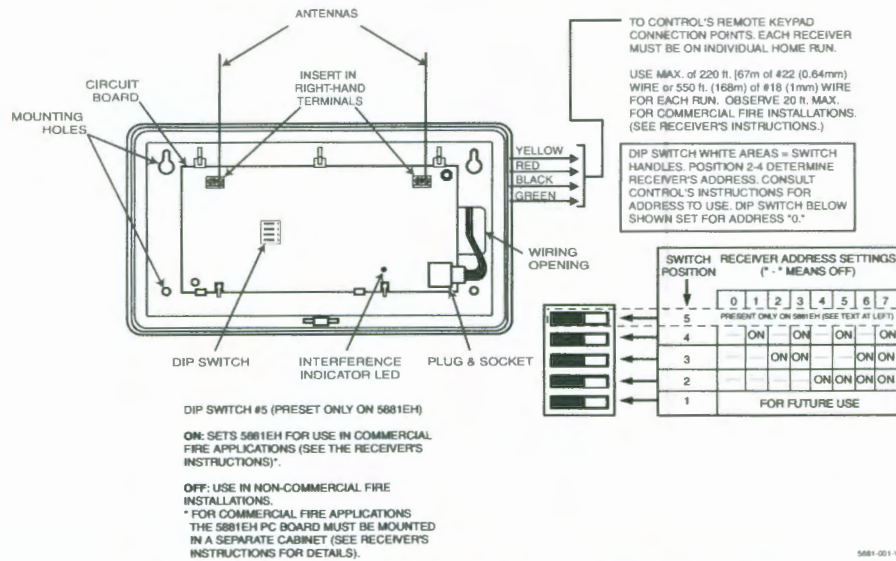


Figure 3-19: 5881/5883 RF Receiver (cover removed)

5800 Series Transmitter Setup

- Transmitters have built-in serial numbers that must be enrolled in the system using the #93 Menu Mode Programming, or via the downloader.
- Some transmitters can support more than one "zone" (loops or inputs) (e.g., 5817CB). Each loop must be assigned a different zone number.

Transmitter Supervision

Supervised RF transmitters send a check-in signal to the receiver at 70–90 minute intervals. If at least one check-in is not received from each supervised transmitter within a programmed period (field 1*31), the "missing" transmitter number(s) and "CHECK" or "TRBL" are displayed.

Some transmitters have built-in tamper protection, and annunciate a "CHECK" or "TRBL" condition if covers are removed.



If a loss of supervision occurs on a transmitter programmed for Fire, it reports in Contact ID as a Fire Trouble (373), not Loss of Supervision (381), to the central station.

Protection Professionals

325 US Route 1
 Falmouth, ME 04105
 Ph 207-775-5755
 Fax 207-781-2064

Packing Slip No. 3087

Packing Date
9/8/2011

Bill To Name / Address
Geoffrey I Rice 658 Congress Street Portland, Maine 04102

Job Site
51 State Street Portland, Maine

SHIPPER AND RECEIVER BOTH MUST CONFIRM QUANTITIES AND SIGN BELOW. RECEIVER ACCEPTS FULL RESPONSIBILITY FOR MATERIALS UPON SIGNATURE. RECEIVER IS CAUTIONED TO CHECK ALL ITEMS CAREFULLY FOR QUANTITY AND CONDITION.

Contract No.

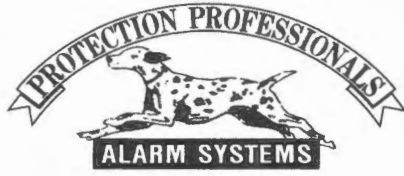
Item	Description	Qty Shipped	Qty Rec'd
V128FBP-PAK1	Vista- 128 FBP kit, includes V128FBP, 6160CR, 5140DLM, Red transformer enclosure requires 120VAC direct	1	
Bat 12-12	Battery	2	
5881ENHC	Wireless receiver for commercial burglary and 5800 devices	1	
DK-DTK120HW	DITEK AC SURGE PROTECTION	1	
06-SSU00672	Fire Document box 12 inches wide X 13.1 inches high X 2.25 inches deep, CAT 30 keyed	1	
6160CR	Keypad Red	1	
SF-STI7510E	Keypad cover with lock set (On backorder)	0	
8085	ADEMCO cam lock assembly	2	
BK-2WB	Hardwired Smoke Detector w/ Base over fire alarm panel	1	
5808W3	Wireless smoke detector/heat detector with sounder (hallways)	12	
5140MPS-1	Manual Pull Station by each exit on each level	7	
5817CB	Wireless Contact Module (use for fire contacts) for each pull station; without this module the pull station will be hardwired	6	
BK-5603	SYSTEM SENSOR 135 Fixed Temperature heat detector, one circuit (over laundry area, hardwired to one zone; basement hardwired to one zone)	4	
AX-AL602ULADA	NAC power supply, 24 or 12 VDC, 6.5 amps, two Class A or four Class B at 2.5 amps/circuit, 1 amp Aux power	1	
Bat 12-7	12V 7AH Batteries	2	
500-636161	ZH-MC-R Horn/strobe, red, wall mount, Hi or Lo volume, 15cd, 30cd, 75cd, or 110cd (in hallways outside the rooms set to high decibels)	11	
BK-5601P	135°F Fixed Temp/Rate-of-Rise, Single-Circuit Mechanical Heat Detector	31	
5817CB	Wireless Contact Module (use for fire contacts)	31	
AD-TG7FS	Fire Alarm Communicator, cell based	1	
Bat 12-7	12V 7AH Batteries	1	
D8004	UL TRANSFORMER KIT	1	
	State of Maine Sales Tax		

Shipped By: _____

Date: _____

Received By: _____

Date: _____



***FIRE ALARM SYSTEMS &
INTEGRATED SECURITY SOLUTIONS***

325 U.S. Rte. 1, Falmouth, ME 04105 - Phone 207-775-5755 / Fax 207-781-2064 – www.protectionprofessionals.net

51 State Street

To Whom It May Concern:

Please note the following when installing this system:

1. Please be sure the wireless receiver antenna is located ten feet from the fire alarm panel. I recommend mounting it in the laundry room if possible.
2. Please be detail oriented with the wireless codes. Please match the codes with the spreadsheet to verify accuracy. Please make any necessary corrections. Please label the floor plans with the respective device location.
3. Please note that metal will block all wireless signals. If back boxes are used for any wireless products, please use plastic back boxes.
4. Heat detectors and smoke detectors can be mounted using the following measurements. Fifteen feet on center or thirty foot radius. Devices can be wall mounted as long as they are between four inches from the top and no further than twelve inches from the top.
5. Please avoid mounting heat detectors near dryers, bathroom doorways, or stoves.
6. Any questions, please call.

Protection Professionals

325 US Route 1
Falmouth, ME 04105
Ph 207-775-5755
Fax 207-781-2064

Packing Slip No. 3154

Packing Date
9/22/2011

Bill To Name / Address
Geoffrey I Rice 658 Congress Street Portland, Maine 04102

Job Site
51 State Street Portland, Maine

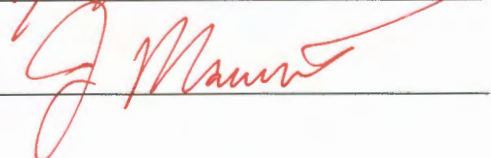
SHIPPER AND RECEIVER BOTH MUST CONFIRM QUANTITIES AND SIGN BELOW. RECEIVER ACCEPTS FULL RESPONSIBILITY FOR MATERIALS UPON SIGNATURE. RECEIVER IS CAUTIONED TO CHECK ALL ITEMS CAREFULLY FOR QUANTITY AND CONDITION.

Contract No.
51 State

Item	Description	Qty Shipped	Qty Rec'd
500-636161	ZH-MC-R Horn/strobe, red, wall mount, Hi or Lo volume, 15cd, 30cd, 75cd, or 110cd (in hallways outside the rooms set to high decibels)	2	
500-636193	ZBB-R Back box for a Z style device, red State of Maine Sales Tax	7	

Shipped By: 

Date: _____

Received By: 

Date: _____

Protection Professionals

325 US Route 1
Falmouth, ME 04105
Ph 207-775-5755
Fax 207-781-2064

Packing Slip No. 3139

Packing Date

9/20/2011

Bill To Name / Address
Geoffrey I Rice 658 Congress Street Portland, Maine 04102

Job Site
51 State Street Portland, Maine

SHIPPER AND RECEIVER BOTH MUST CONFIRM QUANTITIES AND SIGN BELOW. RECEIVER ACCEPTS FULL RESPONSIBILITY FOR MATERIALS UPON SIGNATURE. RECEIVER IS CAUTIONED TO CHECK ALL ITEMS CAREFULLY FOR QUANTITY AND CONDITION.

Contract No.

Item	Description	Qty Shipped	Qty Rec'd
Q9	Thank you for your continued patronage.		
SF-STI7510E	Keypad cover with lock set	1	
Miscellaneous Materials	5140MPS-BB	5	
	State of Maine Sales Tax		

Shipped By: _____

Date: _____

Received By: _____

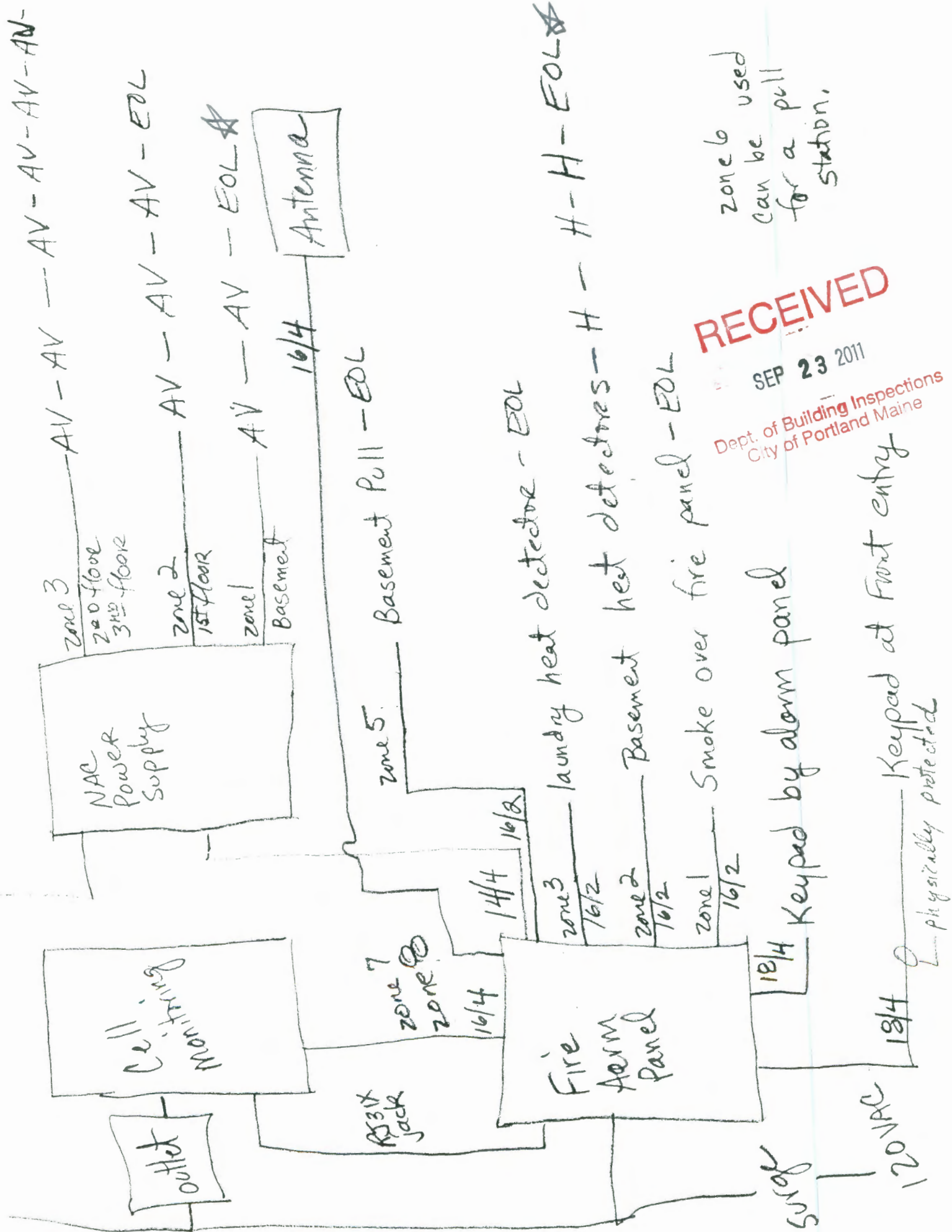
Date: _____

51 State Street

Zone	Type of device	Description	Wireless number	Notes
1	Smoke Detector	Over fire alarm panel		
2	Heat Detector	Basement		
3	Heat Detector	Laundry		
4	Pull Station	Basement		
5	spare			
6	spare			
7	Cell low battery	Cellular		
8	Cell AC loss	Cellular		
9	Smoke Detector		A0325217	
10	Smoke Detector		A0791941	
11	Smoke Detector		A0791805	
12	Smoke Detector		A0791939	
13	Smoke Detector		A0791949	
14	Smoke Detector		A0791942	
15	Smoke Detector		A0325205	
16	Smoke Detector		A0325206	
17	Smoke Detector		A0325220	
18	Smoke Detector		A0325210	
19	Smoke Detector		A0791800	
20	Smoke Detector		A0325219	
21	Pull Station		A0557524	
22	Pull Station		A0461742	
23	Pull Station		A0528524	
24	Pull Station		A0530894	
25	Pull Station		A0529038	
26	Pull Station		A0521246	
27	Heat Detector	Apartment #	A0524490	
28	Heat Detector	Apartment #	A0530364	
29	Heat Detector	Apartment #	A0543870	
30	Heat Detector	Apartment #	A0536980	
31	Heat Detector	Apartment #	A0554564	
32	Heat Detector	Apartment #	A0459500	
33	Heat Detector	Apartment #	A0552206	
34	Heat Detector	Apartment #	A0533696	
35	Heat Detector	Apartment #	A0449378	
36	Heat Detector	Apartment #	A0554348	
37	Heat Detector	Apartment #	A0516676	
38	Heat Detector	Apartment #	A0525798	
39	Heat Detector	Apartment #	A0551236	

51 State Street

Zone	Type of device	Description	Wireless number	Notes
40	Heat Detector	Apartment #	A0306346	
41	Heat Detector	Apartment #	A0554560	
42	Heat Detector	Apartment #	A0560894	
43	Heat Detector	Apartment #	A0527252	
44	Heat Detector	Apartment #	A0552512	
45	Heat Detector	Apartment #	A0539284	
46	Heat Detector	Apartment #	A0522792	
47	Heat Detector	Apartment #	A0531422	
48	Heat Detector	Apartment #	A0543278	
49	Heat Detector	Apartment #	A0523778	
50	Heat Detector	Apartment #	A0545280	
51	Heat Detector	Apartment #	A0524712	
52	Heat Detector	Apartment #	A0524128	
53	Heat Detector	Apartment #	A0551190	
54	Heat Detector	Apartment #	A0516414	
55	Heat Detector	Apartment #	A0553826	
56	Heat Detector	Apartment #	A0529398	
57	Heat Detector	Apartment #	A0547164	
58				
59				



RECEIVED

SEP 23 2011

Dept. of Building Inspections
City of Portland Maine

zone 6 used
can be
for a pull
station.