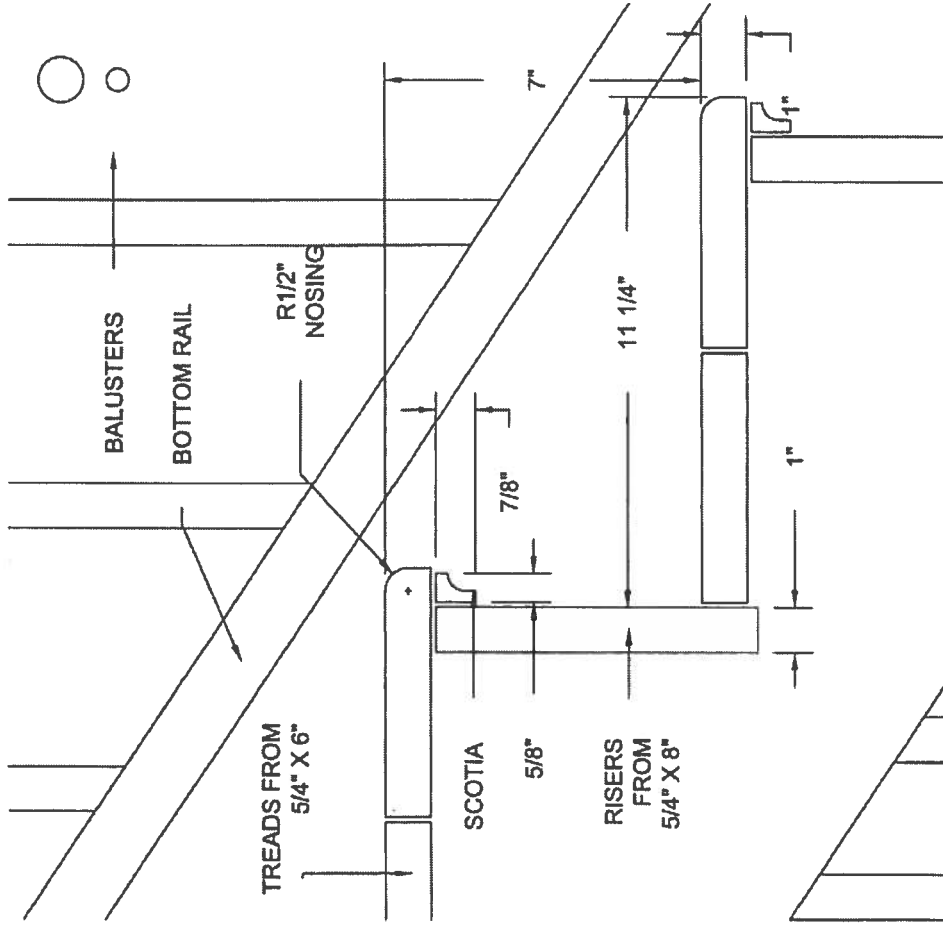


STAIR DETAILS FOR RESIDENTIAL USE

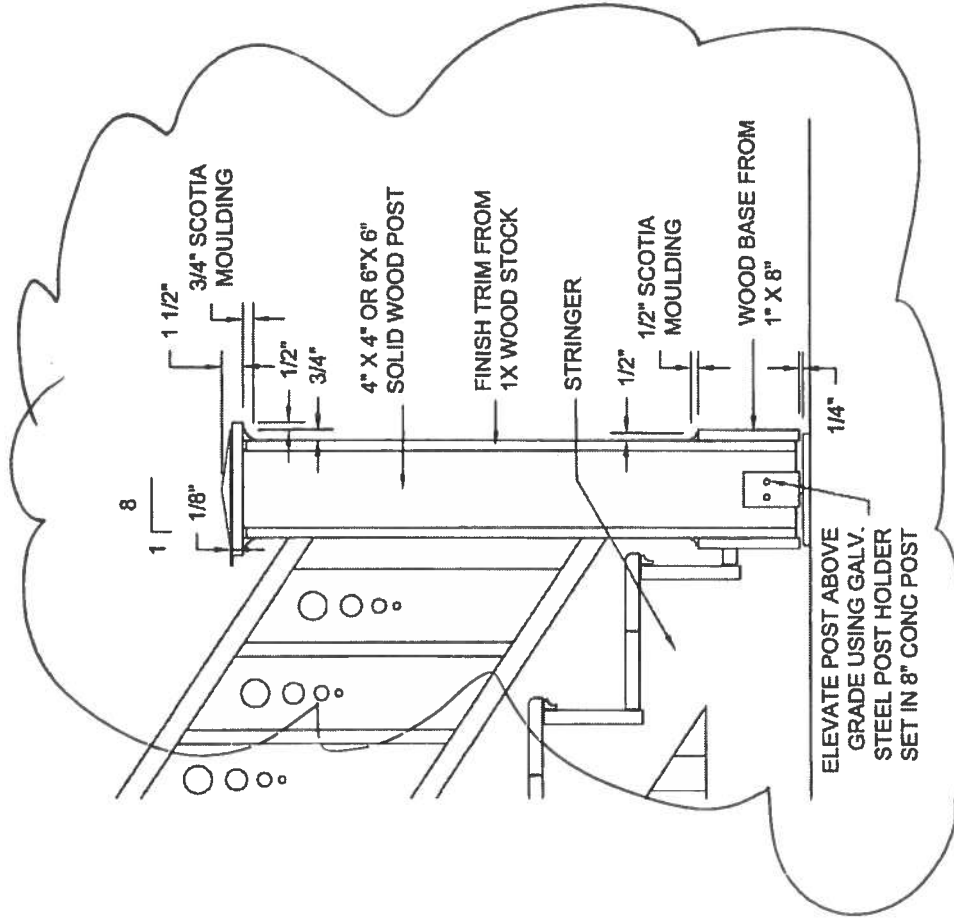
(A)

Typical residential risers and treads



(B)

Typical newel post construction



Alternate: Newel post may be bolted to a stringer.