

37.2 kW_{DC} Photovoltaic System

Annual Production Estimate: 41,735 kWh



142 Presumpscot Street
Portland, ME 04103
(207) 221-6342

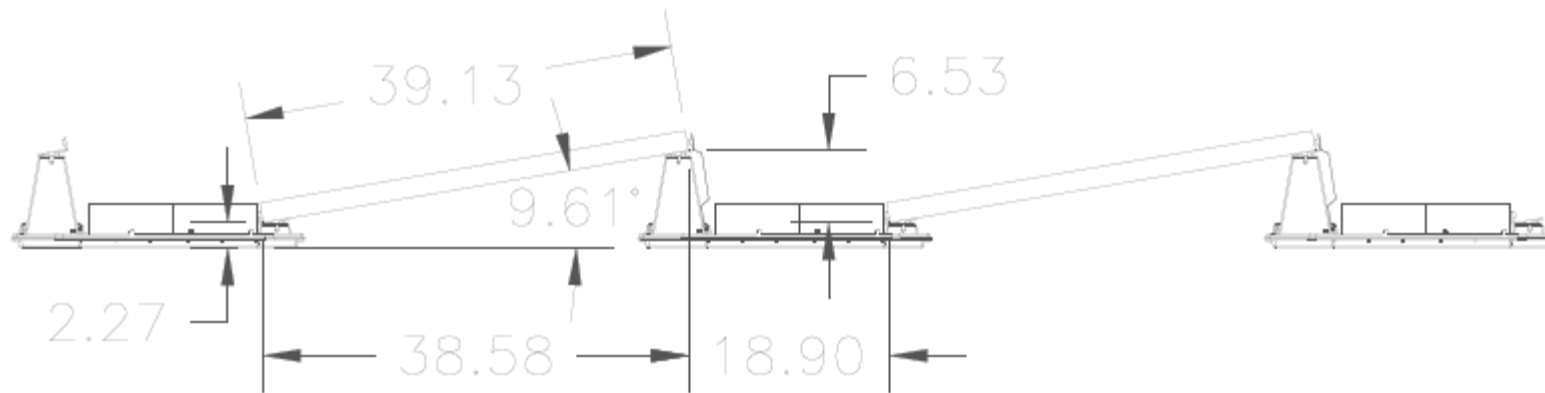
Customer Name:

Casco Terrace
41 State Street
Portland, ME

System Type:

Photovoltaic Array

Elevation View. Total height of system off roof including PV panel width is 11.5"



60 CELL MODULE

Designed by: BA

Date: March 7, 2017

© Copyright ReVision Energy

This diagram is provided as a service and is based on the understanding of the information supplied. It is subject to change based on actual conditions, applicable edition of the National Electric Code, and local governmental authorities.