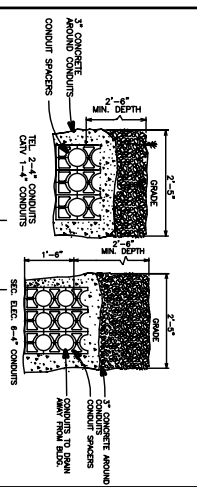
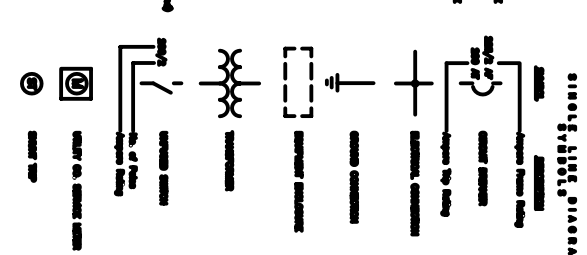
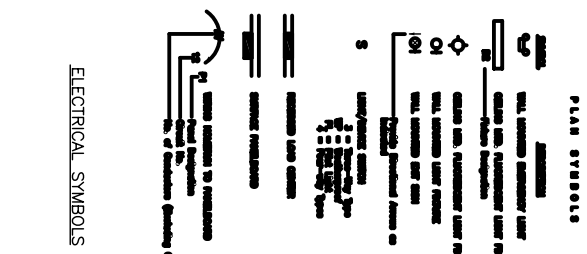
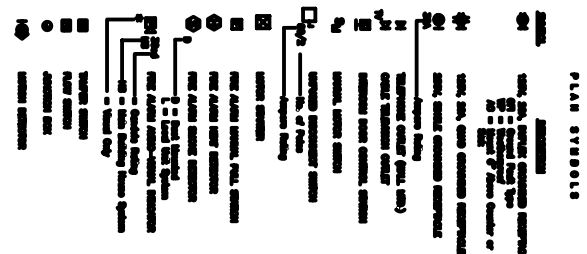


GARAGE LIGHTING CONTROL WIRING DIAGRAM
NOT TO SCALE

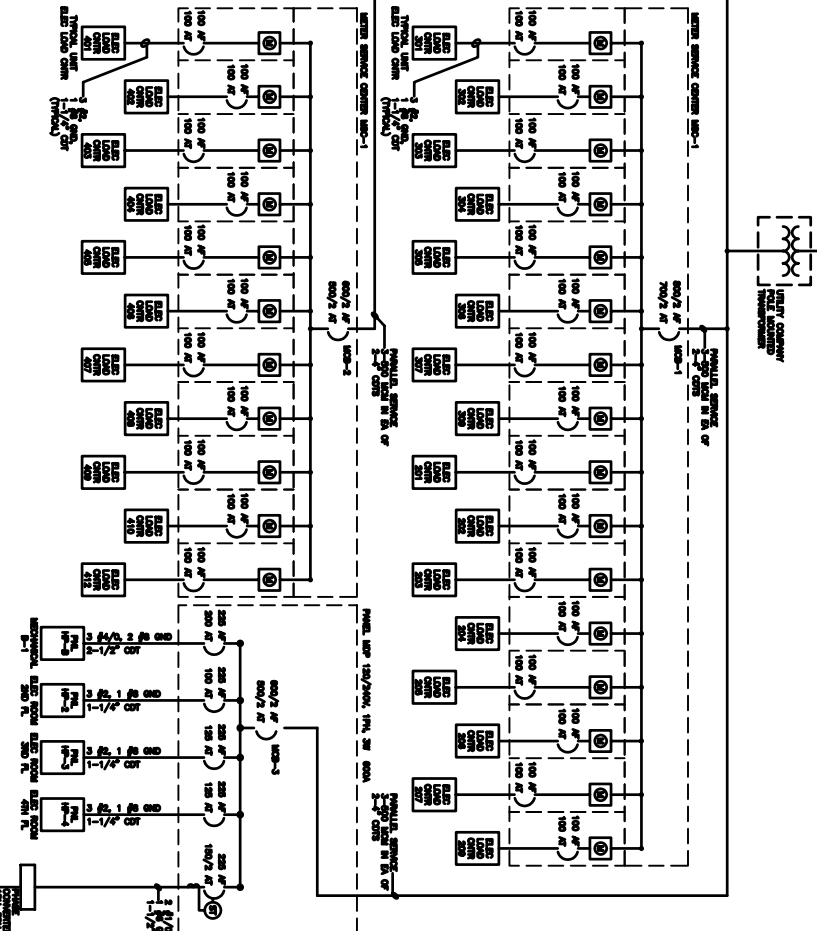


1) EXTERNAL INSULATIONS TO CONDUIT TO CONTROL LINE FORTRESS WINDSOR OR STANDARD REQUIREMENTS. MAINT PROOF BUILDING FINISH. MINIMUM 100 FEET MINIMUM SLOPE. FUSE CONDUIT ENDS TO PREVENT ENTRANCE OF SOIL AND WATER WHERE CONDUITS ARE STUBBED IN. ALL CONDUITS TO BE IDENTIFIED BY NUMBER IN CONDUIT. SEE CONDUIT SECTION DETAILS. ALL VERTICAL CONDUIT INSULATION SHALL CONFORM TO VERTICAL STANDARDS. REQUIRED IF BURIED MIN. 30" BELOW GRADE AND SCHEDULE TO CONDUIT.

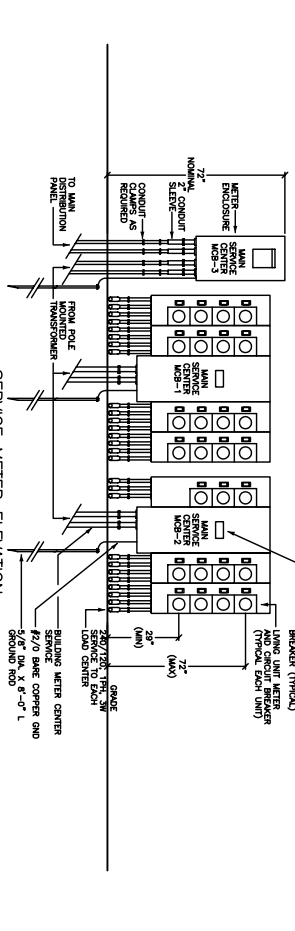
UNDERGROUND DUCTBANK SECTIONS
NOT TO SCALE



SINGLE LINE DIAGRAM
NOT TO SCALE



SINGLE LINE DIAGRAM
NOT TO SCALE



SERVICE METER ELEVATION
NOT TO SCALE