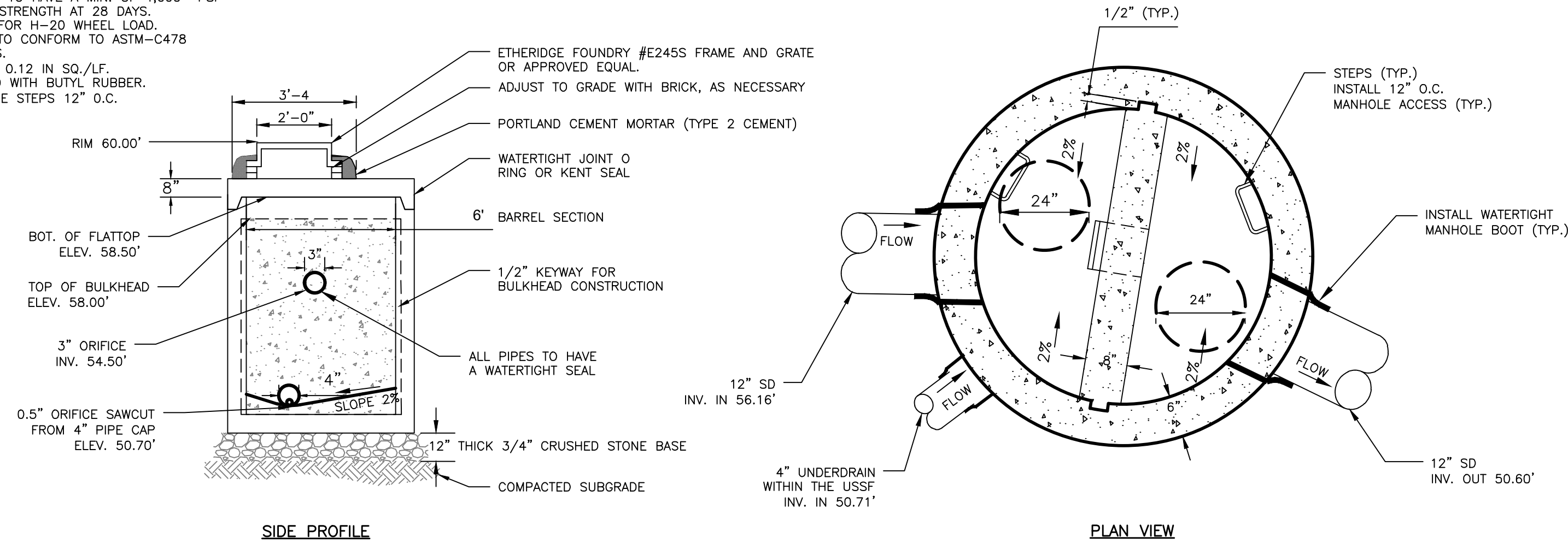
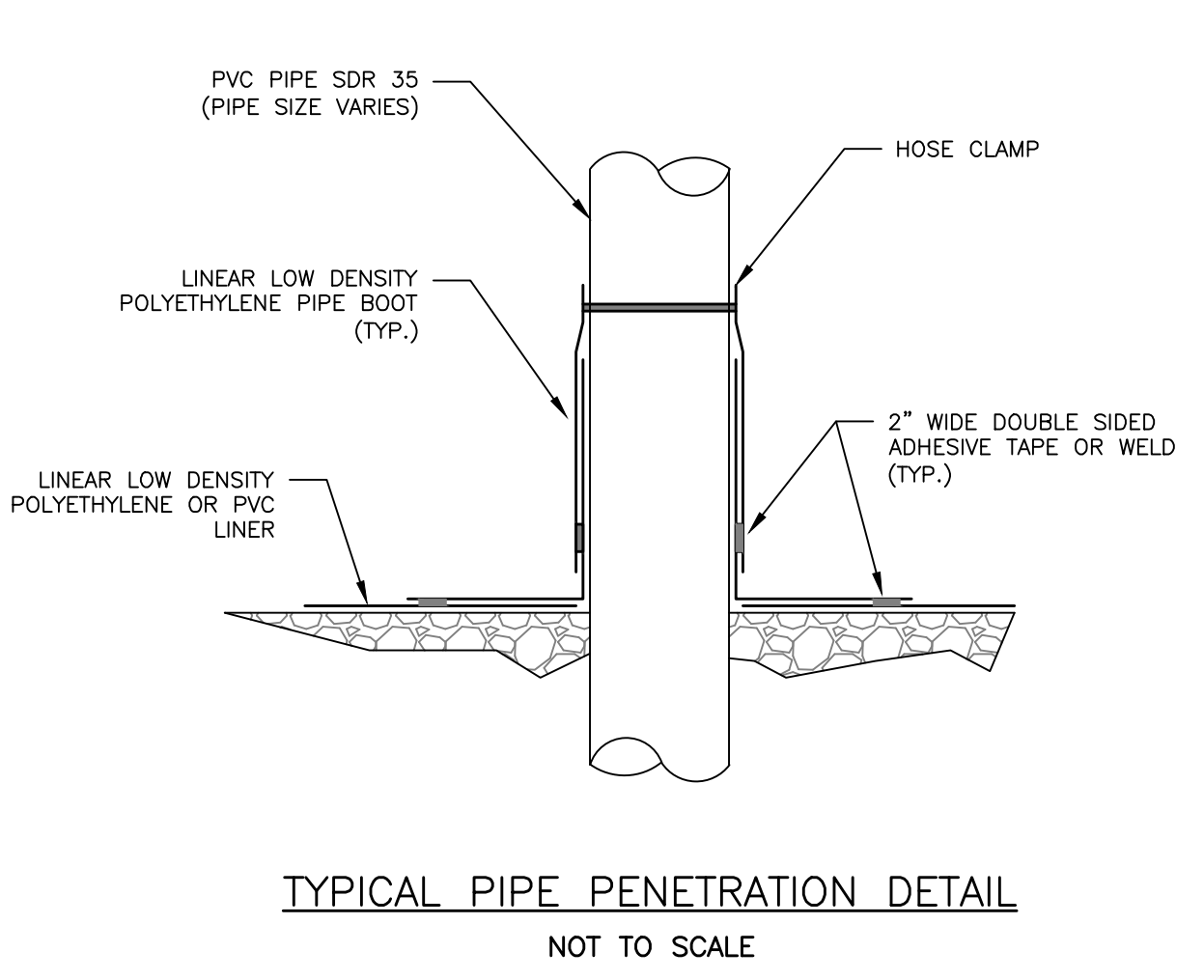


USSF PLAN VIEW
1"=5'

- DESIGN NOTES:
1. ALL CONCRETE TO HAVE A MIN. OF 4,000 PSI COMPRESSIVE STRENGTH AT 28 DAYS.
 2. DESIGN LOAD FOR H-20 WHEEL LOAD.
 3. CATCH BASIN TO CONFORM TO ASTM-C478 SPECIFICATIONS.
 4. REINFORCE TO 0.12 IN SQ./LF.
 5. JOINTS SEALED WITH BUTYL RUBBER.
 6. POLYPROPYLENE STEPS 12" O.C.



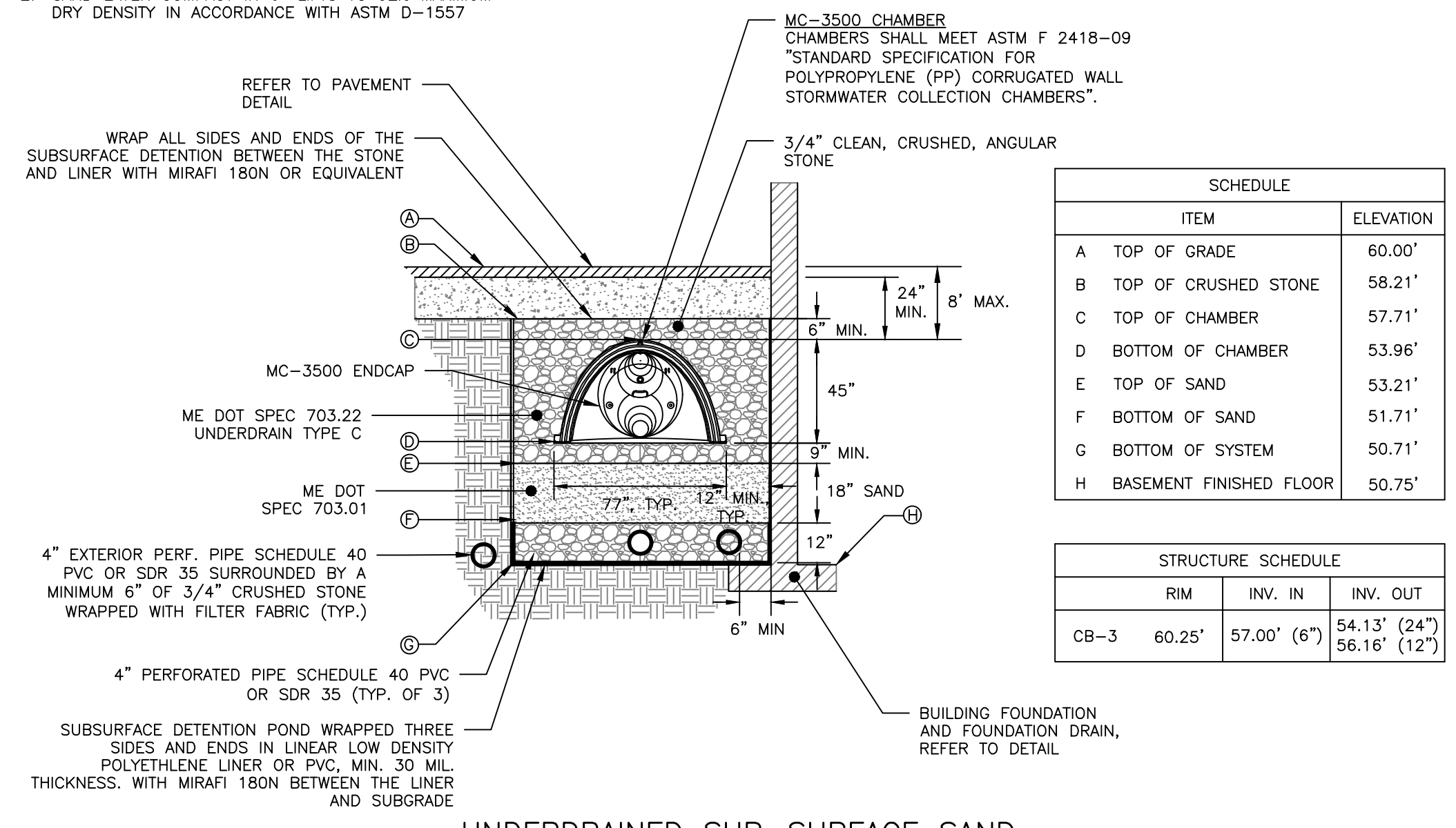
OUTLET CONTROL STRUCTURE
NOT TO SCALE



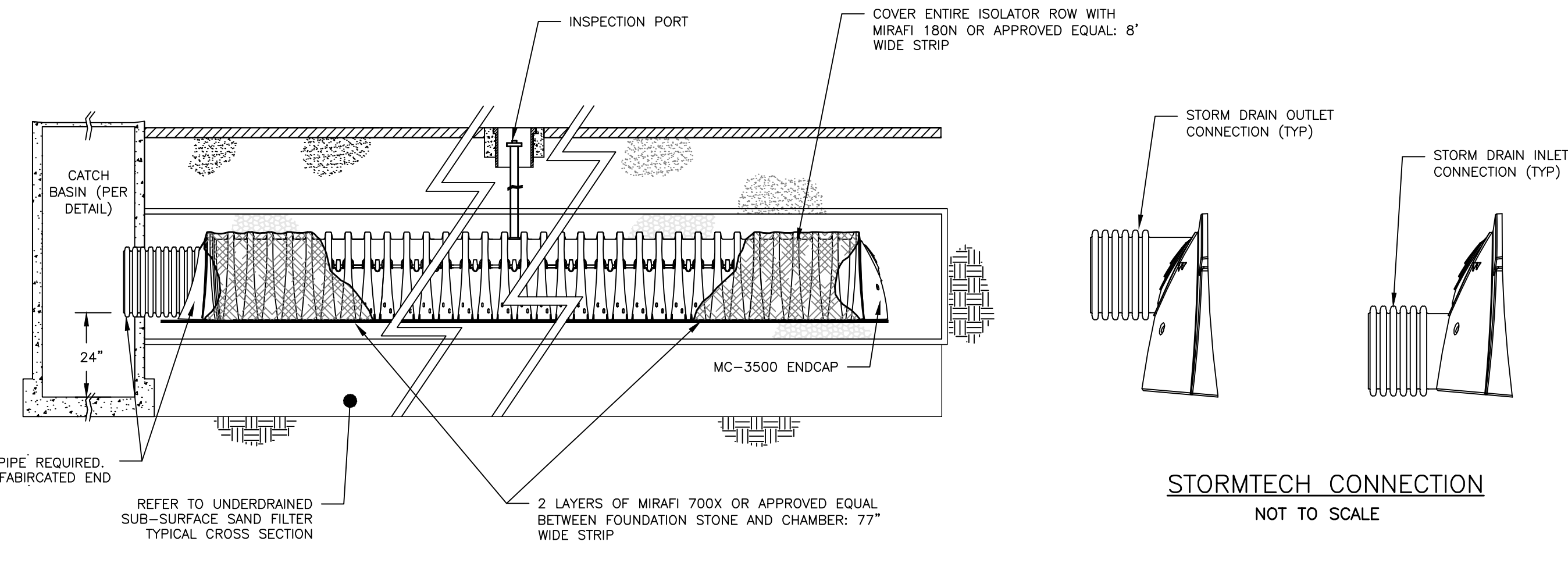
TYPICAL PIPE PENETRATION DETAIL
NOT TO SCALE

- MANUFACTURER'S NOTES:
1. ALL DESIGN SPECIFICATIONS FOR STORMTECH MC-3500 CHAMBERS SHALL BE IN ACCORDANCE WITH THE STORMTECH DESIGN MANUAL
 2. THE INSTALLATION OF STORMTECH MC-3500 CHAMBERS SHALL BE IN ACCORDANCE WITH THE LATEST STORMTECH INSTALLATION INSTRUCTIONS
 3. THE CONTRACTOR IS ADVISED TO REVIEW AND UNDERSTAND THE INSTALLATION INSTRUCTIONS PRIOR TO BEGINNING SYSTEM INSTALLATION. CALL 1-888-892-2694 OR VISIT WWW.STORMTECH.COM TO RECEIVE A COPY OF THE LATEST STORMTECH INSTALLATION INSTRUCTIONS
 4. CHAMBERS SHALL MEET THE DESIGN REQUIREMENTS AND LOAD FACTORS SPECIFIED IN SECTION 12.12 OF THE LATEST EDITION OF THE AASHTO LRFD BRIDGE DESIGN SPECIFICATIONS
- ENGINEER'S NOTES:
1. THE LAYOUT AND DIMENSION OF THE SUBSURFACE DETENTION MAY BE MODIFIED WITH AN ENGINEER APPROVED EQUAL WHICH PROVIDES EQUAL DETENTION STORAGE AND WATER QUALITY TREATMENT.
 2. THE SUBSURFACE DETENTION SHALL BE INSPECTED BY THE DESIGN ENGINEER AT THE FOLLOWING INTERVALS:
 - AFTER PRELIMINARY CONSTRUCTION OF THE SUBSURFACE DETENTION GRADES
 - ONE SITE VISIT DURING THE INSTALLATION OF THE IMPERVIOUS LINER
 - ONE SITE VISIT AFTER THE UNDERDRAINS ARE INSTALLED BUT BEFORE THEY ARE BACKFILLED
 - DURING THE CONSTRUCTION OF THE SAND FILTER LAYER
 - DURING THE INSTALLATION OF THE STORMTECH ISOLATOR ROW
 - BEFORE BACKFILLING THE STORMTECH UNITS

- NOTES:
1. REFER TO THE MAINE DEP TECHNICAL DESIGN MANUAL SECTION 7.3 FOR ADDITIONAL DESIGN DETAILS.
 2. SAND LAYER COMPACT IN 6" LIFTS TO 92% MAXIMUM DRY DENSITY IN ACCORDANCE WITH ASTM D-1557



UNDERDRAINED SUB-SURFACE SAND FILTER TYPICAL CROSS SECTION
NOT TO SCALE



ISOLATOR ROW - PROFILE VIEW
NOT TO SCALE

PRELIMINARY
NOT ISSUED FOR
CONSTRUCTION

ISSUED FOR	BY
PRELIM. APP.	WHS
	DATE
	11/27/16

BRAWING NAME: UNDERDRAINED SUBSURFACE SAND FILTER DETAILS
PROJECT NAME: 161 YORK STREET REDEVELOPMENT
CLIENT: YORK STREET REDEVELOPMENT, LLC
42 MARKET STREET PORTLAND, ME 04101

ACORN ENGINEERING, INC.
158 BANGOR ST. PORTLAND, MAINE 04102
(207) 775-2655

FILE:	1074_CIVIL
JN:	1074
SCALE:	NTS
DESIGNED BY:	WHS
DRAWN BY:	SJL
CHECKED BY:	WHS

DRAWING NO.
C-45