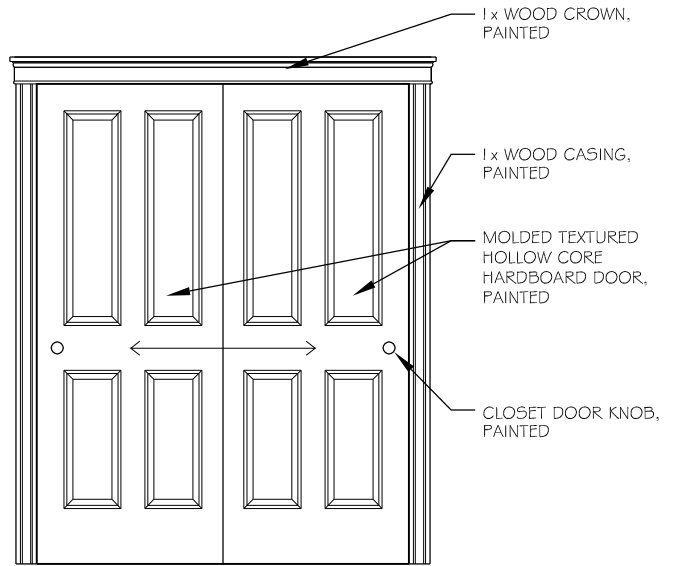
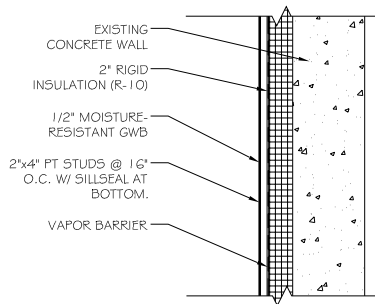
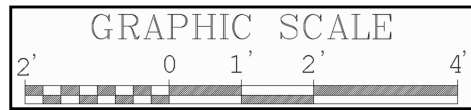


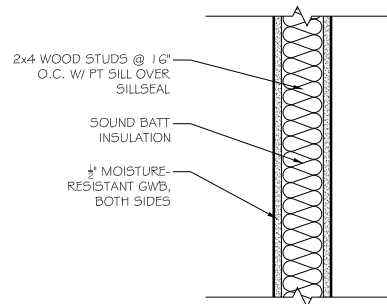
DOOR TYPE A



DOOR TYPE B



WALL TYPE 1



WALL TYPE 2



Jeremy Daros, Owner
Guilford Court Condominiums, Unit 1B
157 York Street, Portland, Maine
phishman@maine.rr.com

DETAILS

SCALE: **AS NOTED**

DATE: **08/29/14**

SKETCH: **A3**