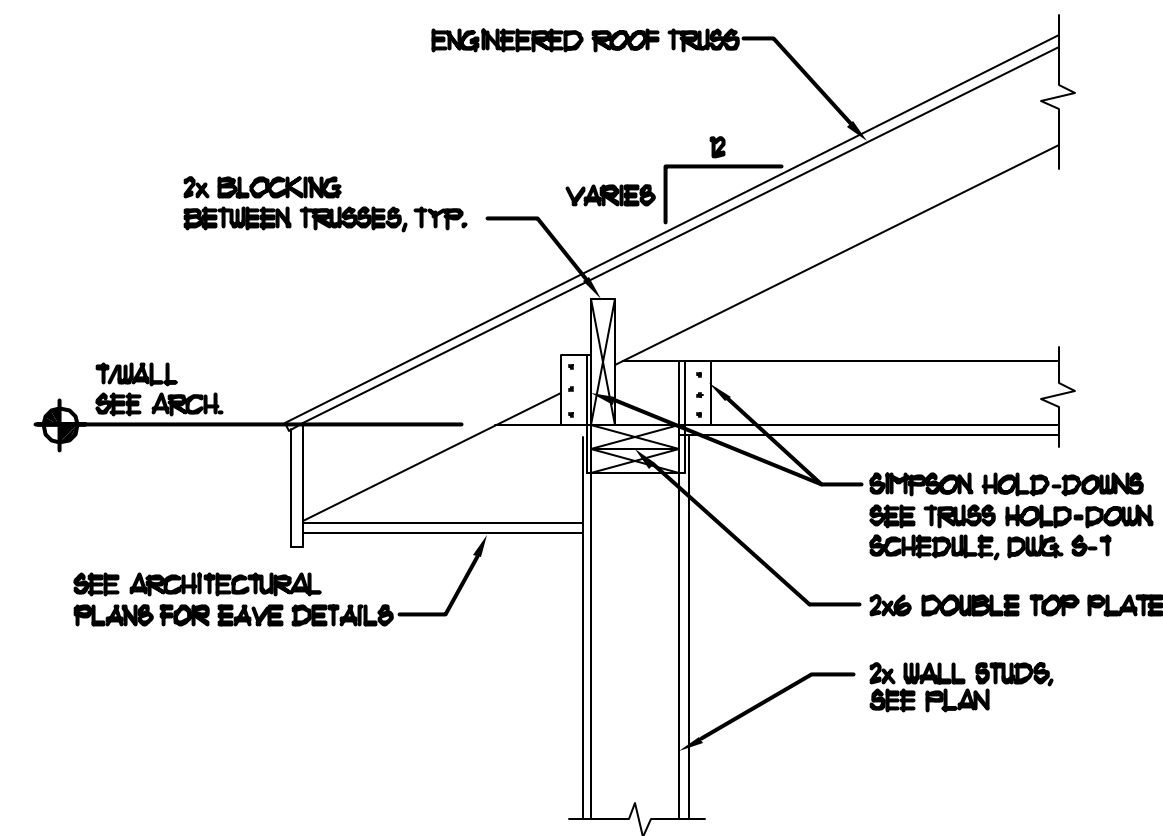
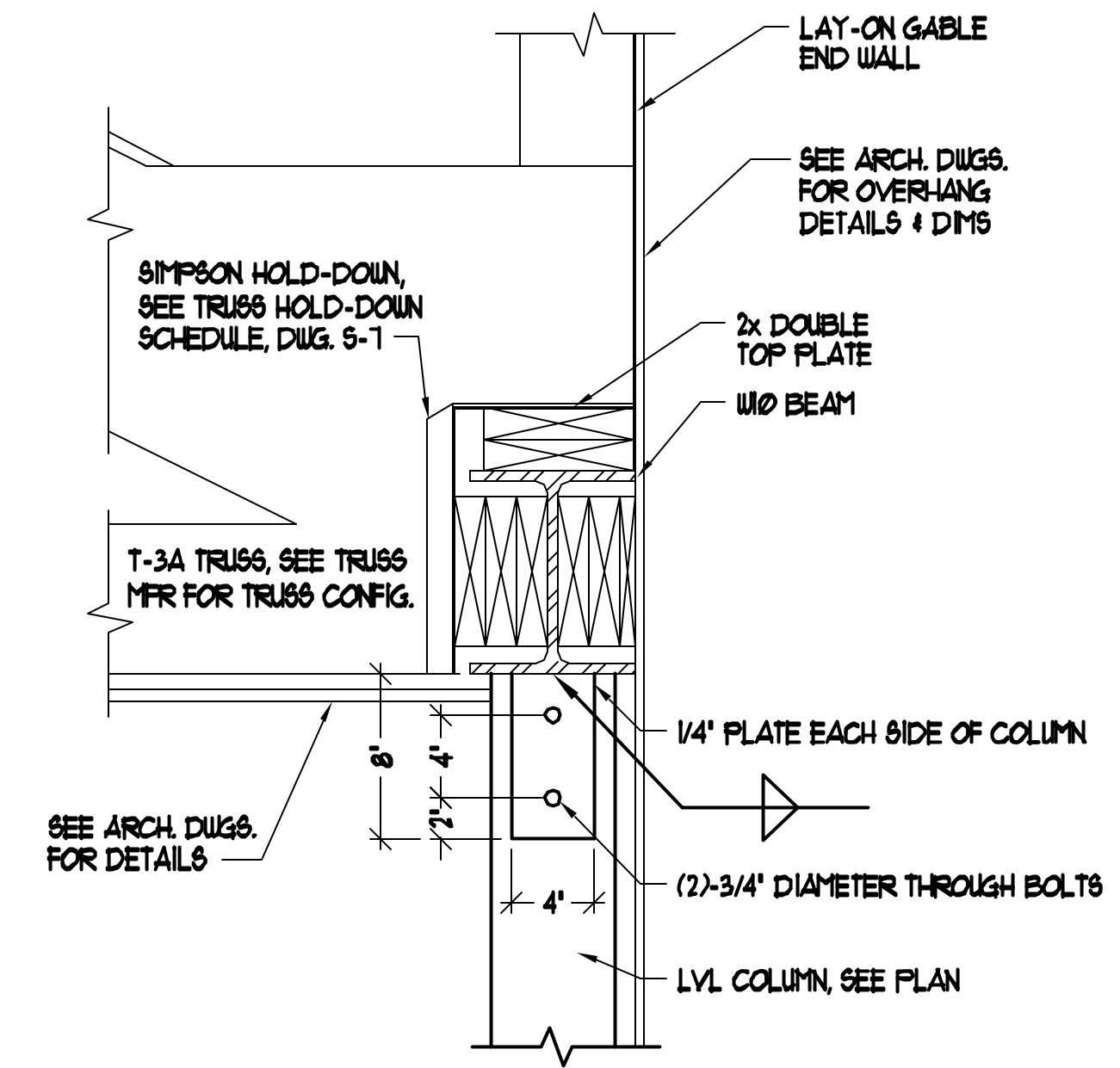


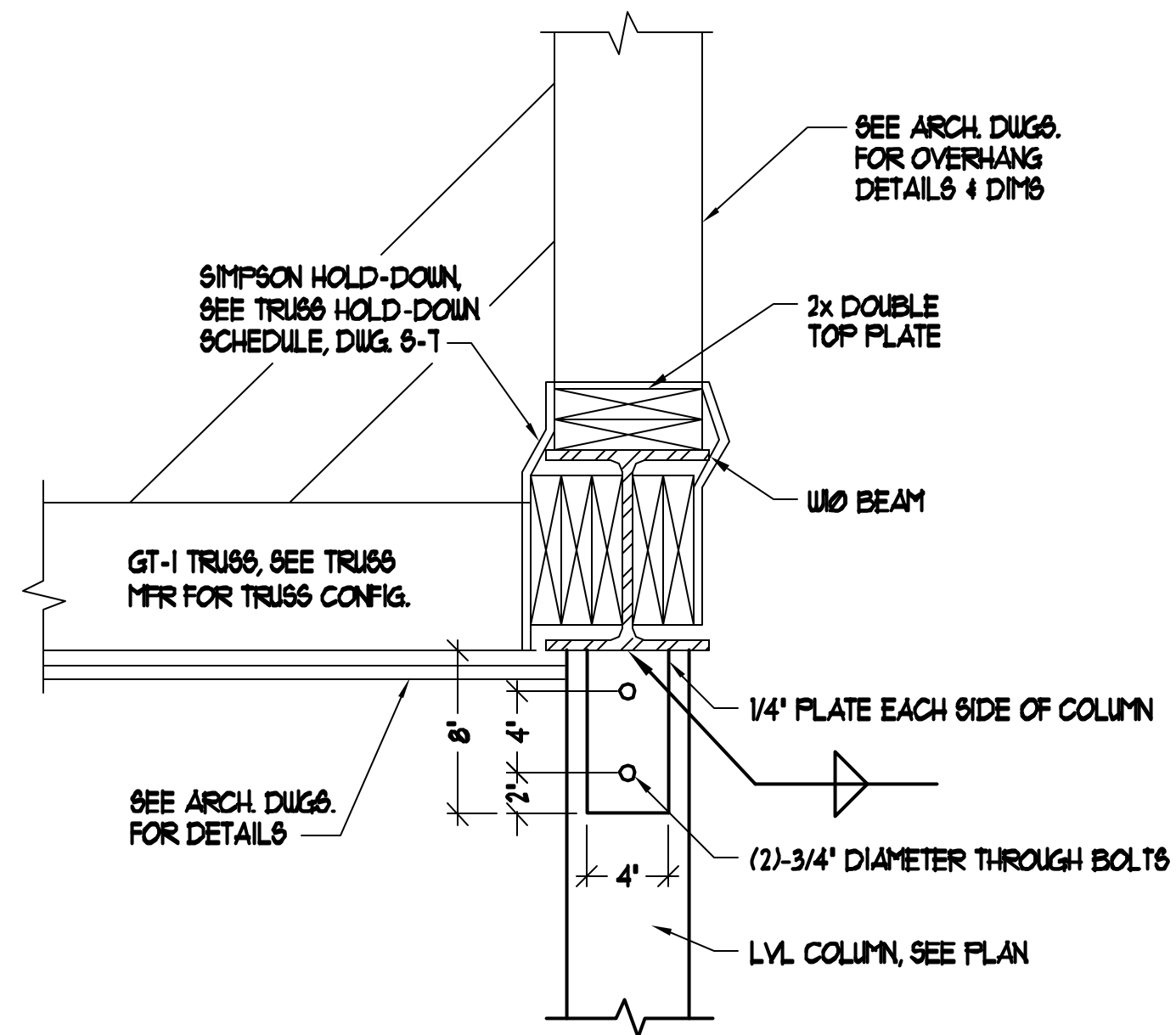
1 SECTION
SCALE: 1 1/2" = 1'-0"



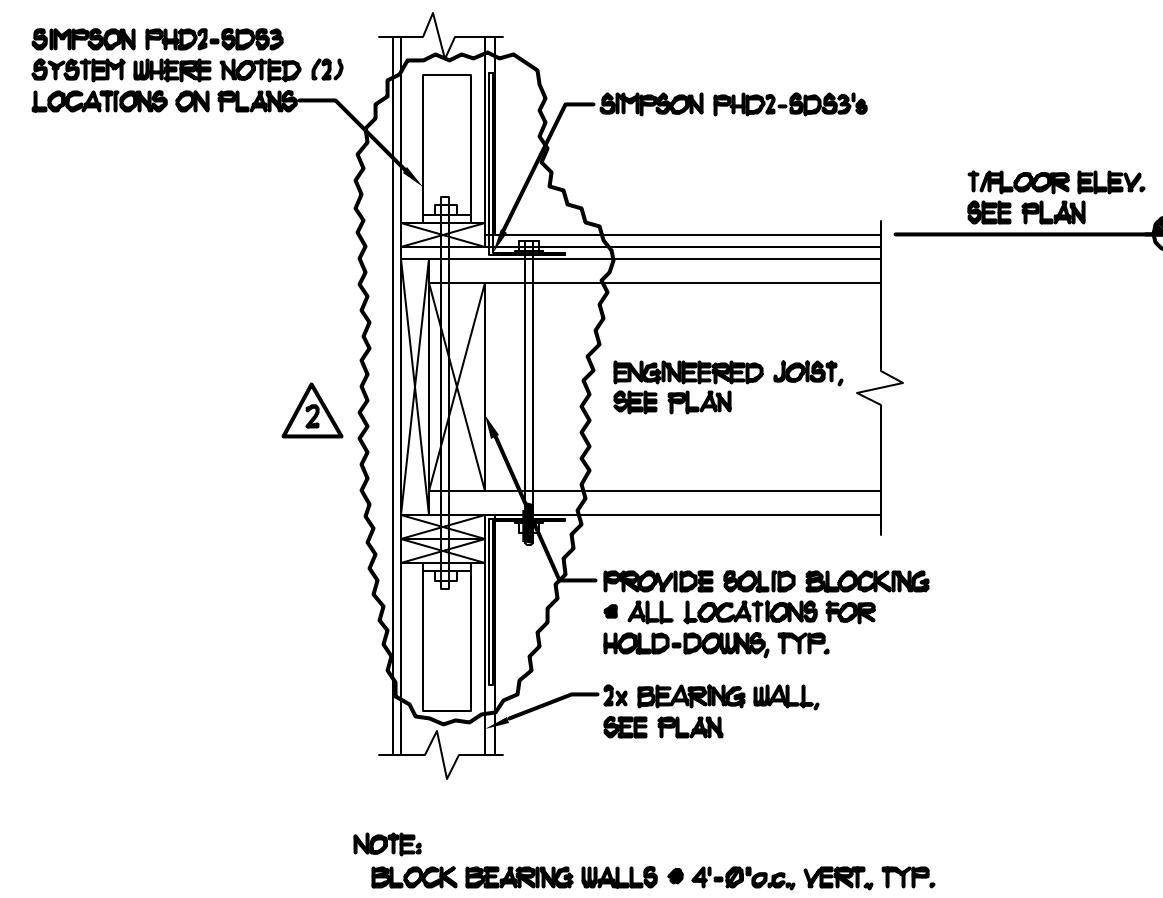
2 SECTION
SCALE: 1" = 1'-0"



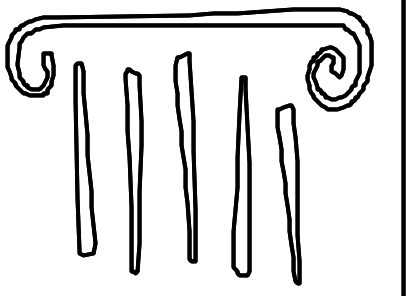
4 SECTION
SCALE: 1 1/2" = 1'-0"



1 SECTION
SCALE: 1 1/2" = 1'-0"



3 TYP HOLD-DOWN DETAIL
SCALE: 1" = 1'-0"



PORT CITY ARCHITECTURE

65 NEWBURY STREET
PORTLAND, ME 04101
207.761.9000
fax: 207.761.2010
info@portcityarch.com

© COPYRIGHT

Reuse or reproduction of the contents of this document is not permitted without written permission of PORT CITY ARCHITECTURE PA

GUILFORD COURT
157 York Street
PORTLAND, ME

JOB: 03126

ISSUE DATE	
FRELIM	-
DD	-
BID	09.17.03
C.D.'s	01.05.04
REVISION	08.25.04
PRINT	06.18.04

DRAWN BY MAC
CHECK BY ACH

FRAMING
DETAILS

S-7.1