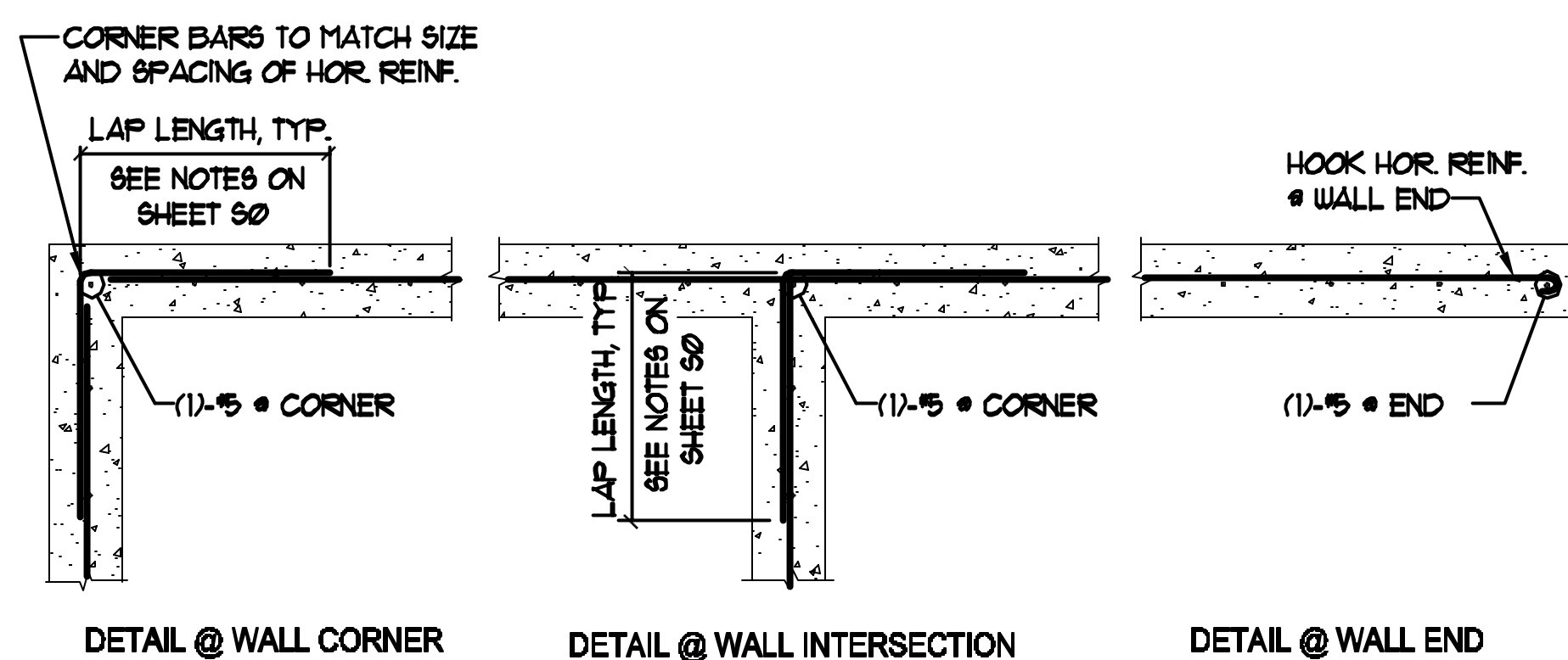
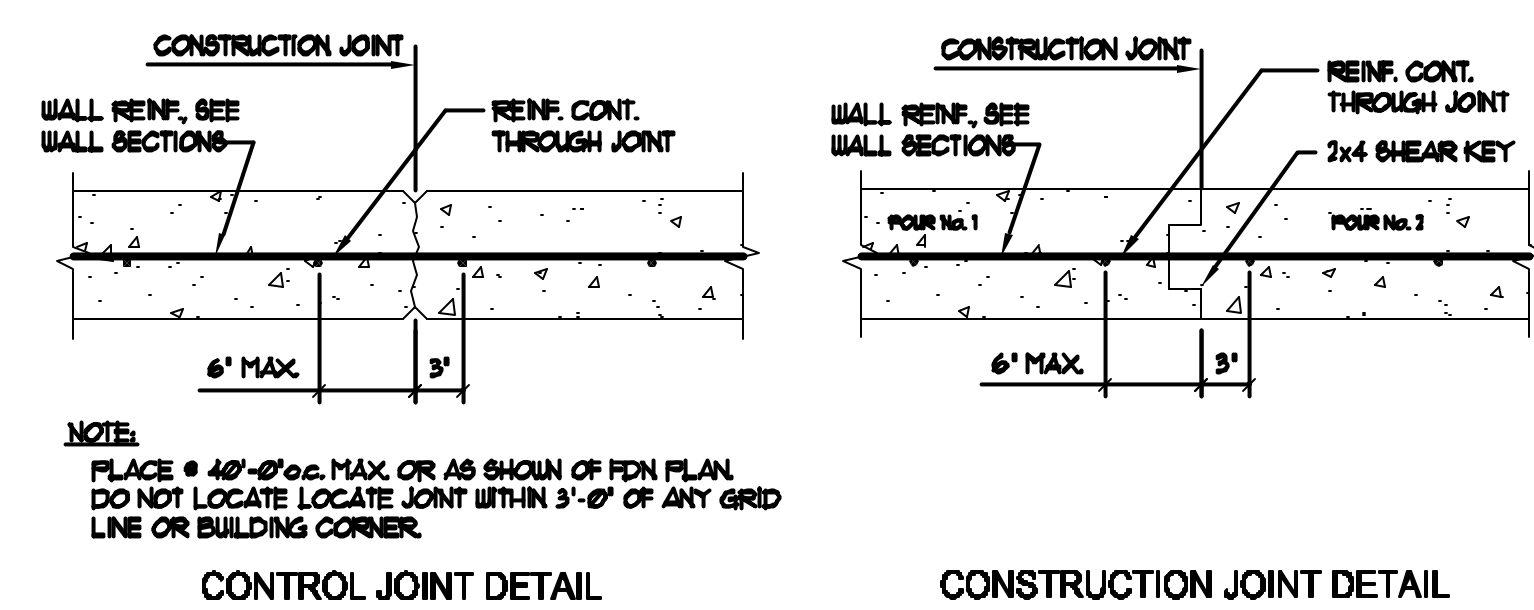
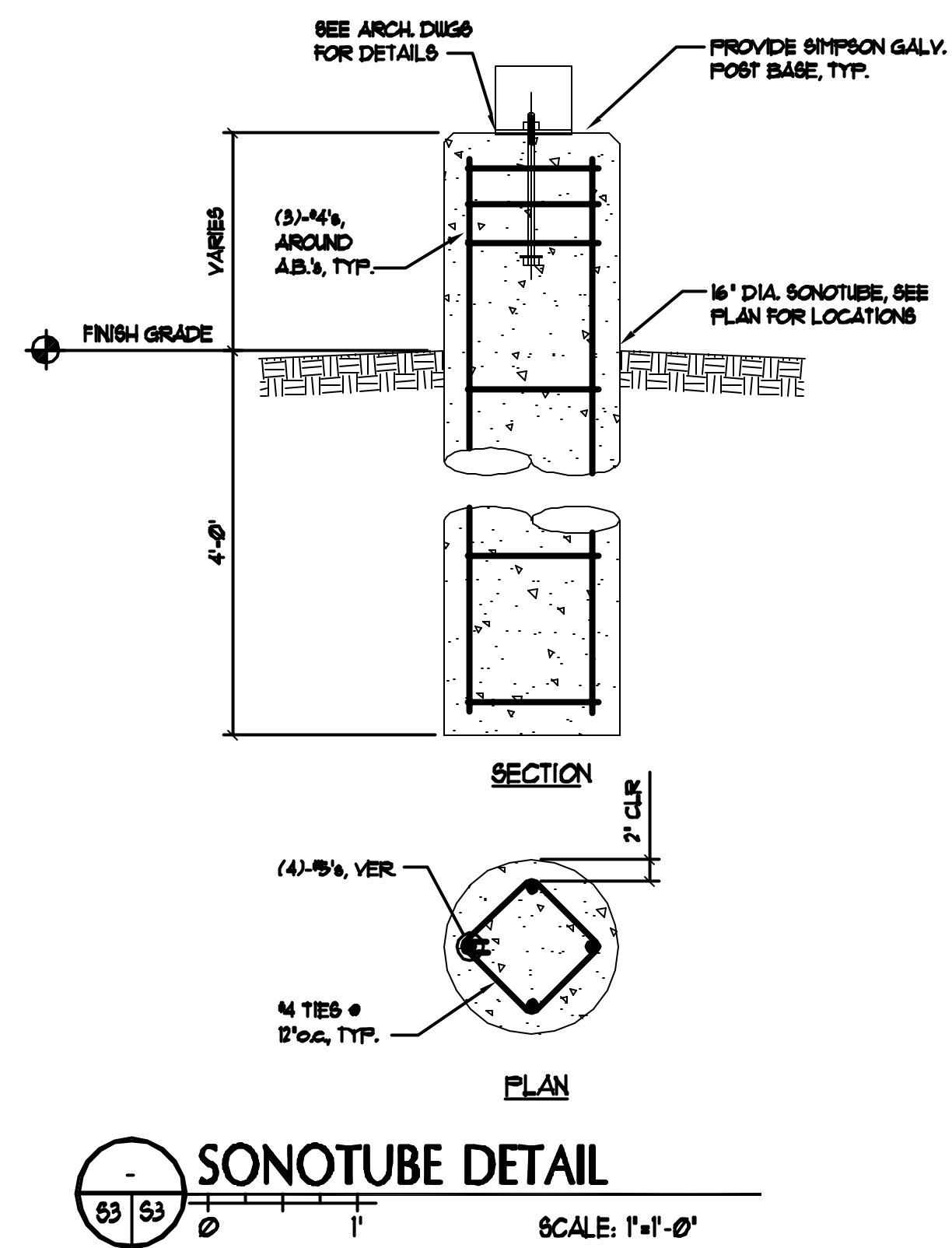


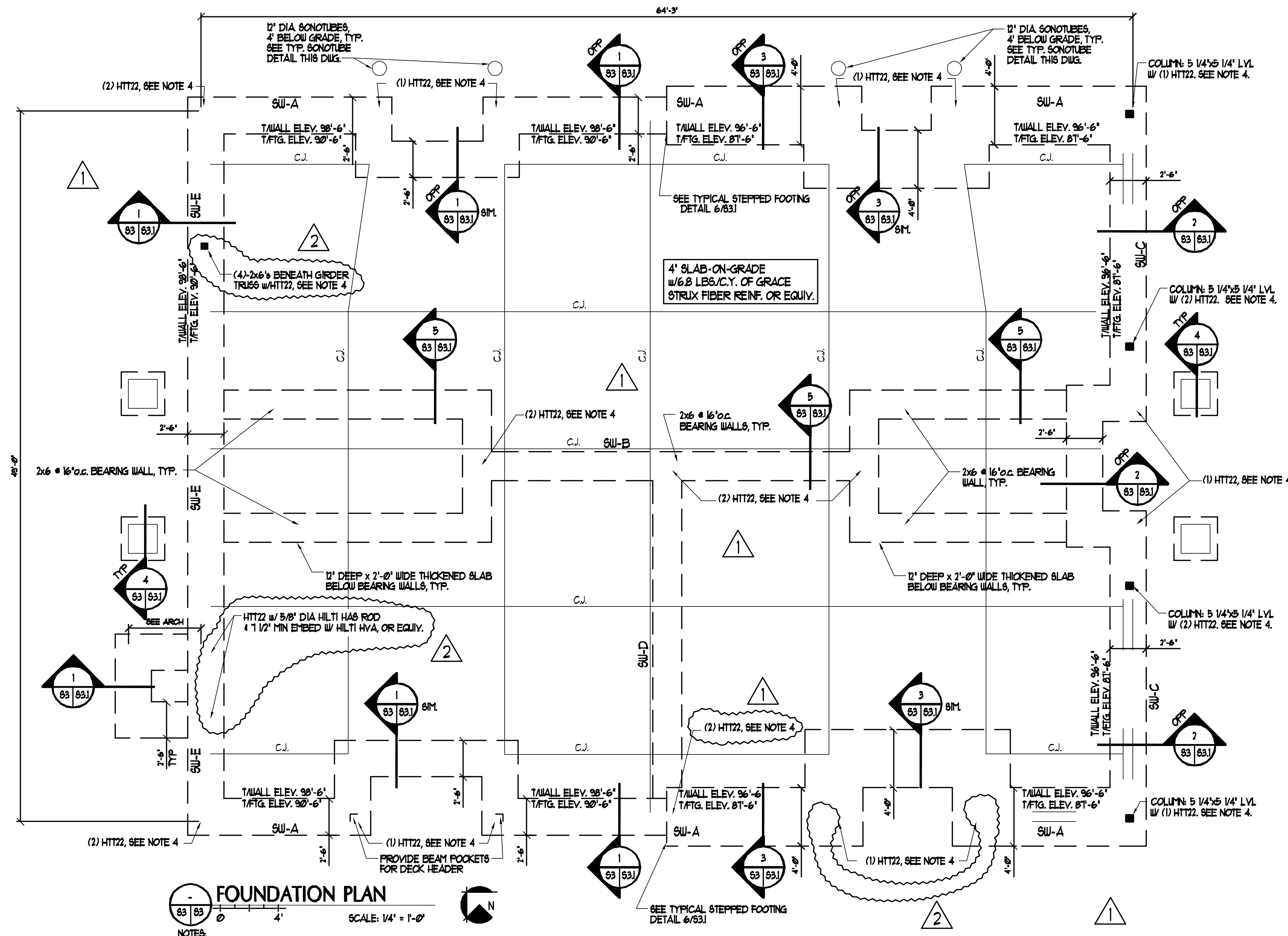
SILL PLATE ATTACHMENT SCHEDULE (TO FDN WALL)

| SHEAR WALL | SPACING OF 5/8" DIA ANCHOR BOLTS (W/ 8" MIN EMBED) | REMARKS |
|------------|--|---------|
| SW-A | 3'-0" O.C. | |
| SW-B | 2'-0" O.C. | |
| SW-C | 3'-0" O.C. | |
| SW-D | 1'-6" O.C. | |
| SW-E | 3'-0" O.C. | |

FOR ALL OTHER WALL ATTACHMENTS, 4'-0" O.C.



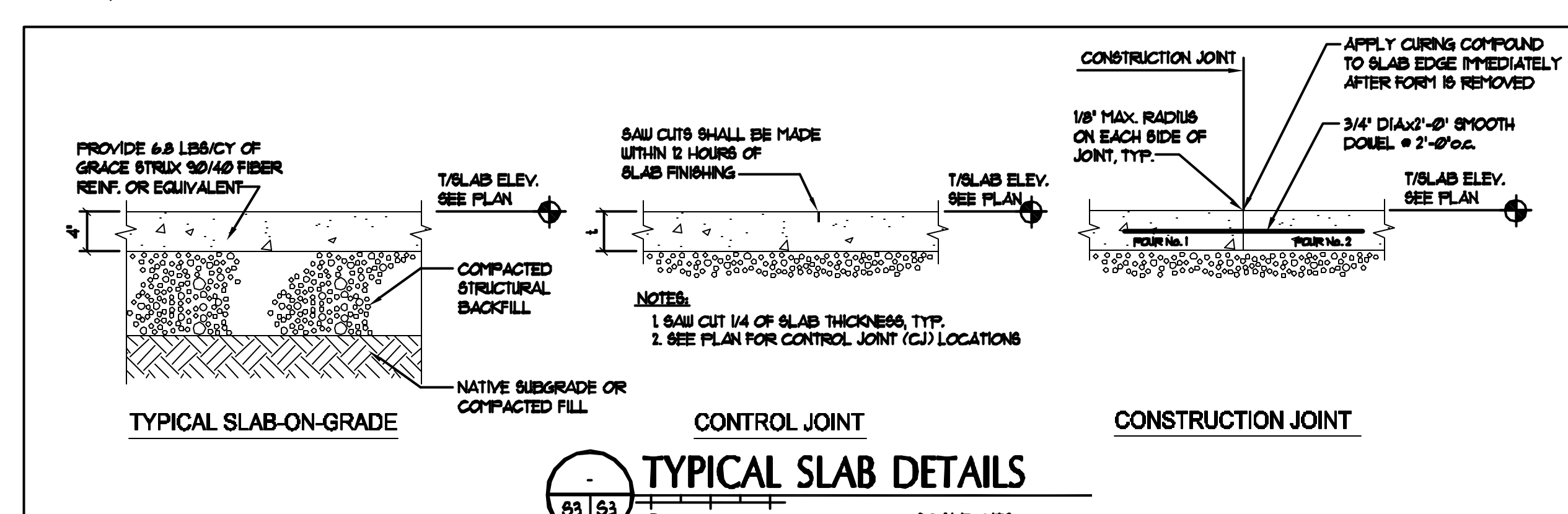
TYPICAL CONCRETE WALL DETAILS
SCALE: NTS



FOUNDATION PLAN

SCALE: 1/4" = 1'-0"

- NOTES:
1. TOP OF FOUNDATION WALL ELEVATION VARIES, SEE PLAN.
 2. TOP OF CONCRETE SLAB ELEVATION 92'-10".
 3. SW-'X' DENOTES SHEAR WALL. SEE SHEAR WALL SCHEDULE, S-4, FOR INFORMATION.
 4. PROVIDE HOLD-DOWN ANCHORS AT LOCATIONS SPECIFIED. USE SIMPSON HTT2 W/ 5/8" DIA HAS ROD AND 1 1/2" MIN EMBED W/ HILTI HVA ADHESIVE ANCHOR SYSTEM, OR EQUIV. UNO.
 5. PROVIDE MIN (2)-2x6 BUILT-UP STUDS IN WALL AT EACH CORNER FOR HOLD-DOWN ANCHORS.
 6. SEE DRAWING A-1, BASEMENT FLOOR PLAN FOR DIMENSIONS.



TYPICAL SLAB DETAILS
SCALE: NTS

PORT CITY ARCHITECTURE
65 NEWBURY STREET
PORTLAND, ME 04101
207.761.9000
fax: 207.761.2010
info@portcityarch.com

© COPYRIGHT
Reuse or reproduction of the contents of this document is not permitted without written permission of PORT CITY ARCHITECTURE PA

GUILFORD COURT
157 York Street
PORTLAND, ME

JOB: 03126

| ISSUE DATE | |
|------------|----------|
| FRELIM | - |
| DD | - |
| BID | 03.17.03 |
| C.D.'s | 01.05.04 |
| REVISION | 02.25.04 |
| PRINT | 06.18.04 |

DRAWN BY: MAC
CHECK BY: ACH

FOUNDATION PLAN

S-3