

PORT CITY ARCHITECTURE

65 NEWBURY STREET
PORTLAND, ME 04101
207.761.9000
fax: 207.761.2010
info@portcityarch.com

© COPYRIGHT
Reuse or reproduction of the contents of this document is not permitted without written permission of PORT CITY ARCHITECTURE PA

GUILFORD COURT
157 York Street
PORTLAND, ME

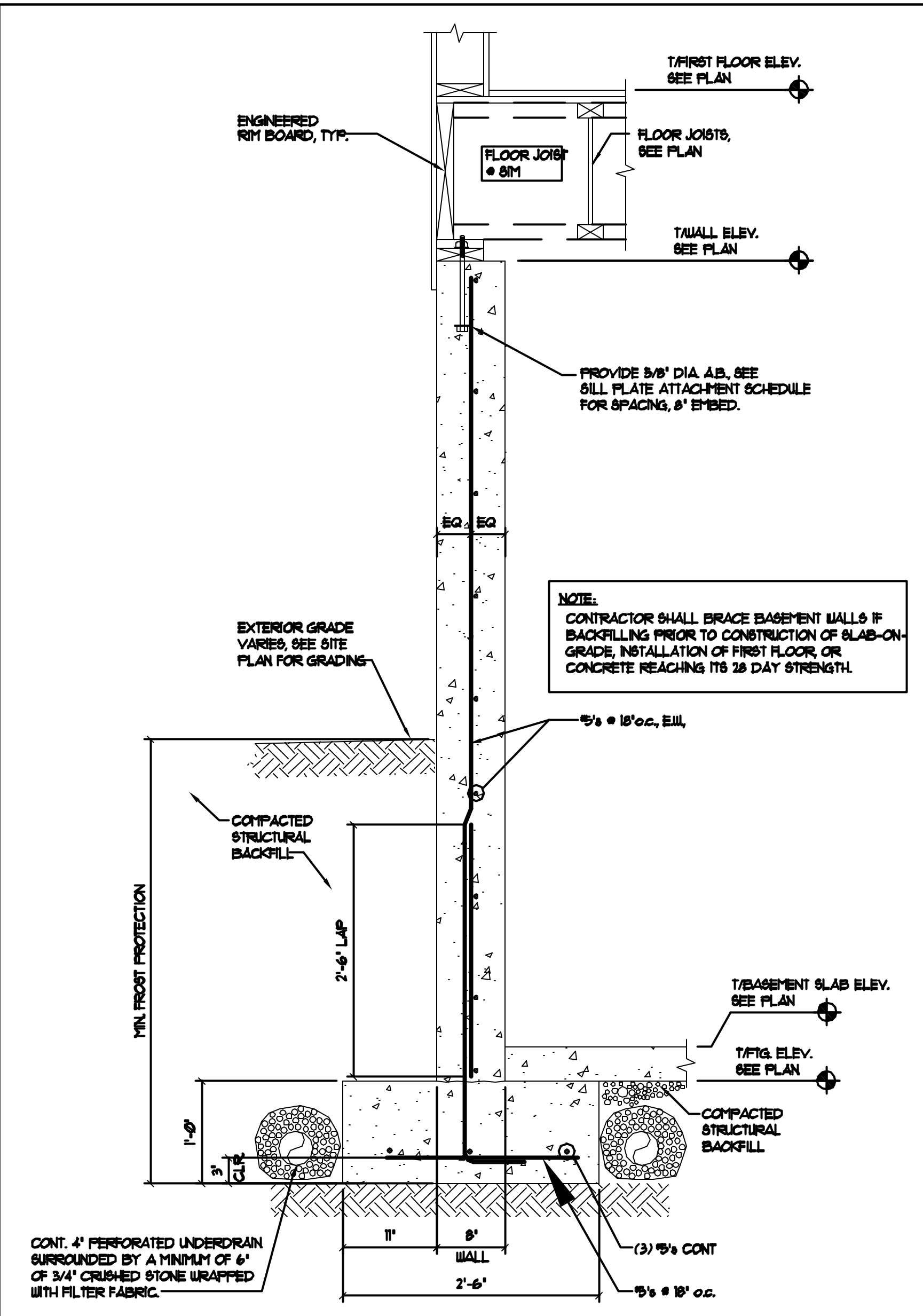
JOB: 03126

ISSUE DATE	
FRELIM	-
DD	-
BID	03.17.03
C.D.'s	01.05.04
REVISION	02.25.04
PRINT	06.18.04

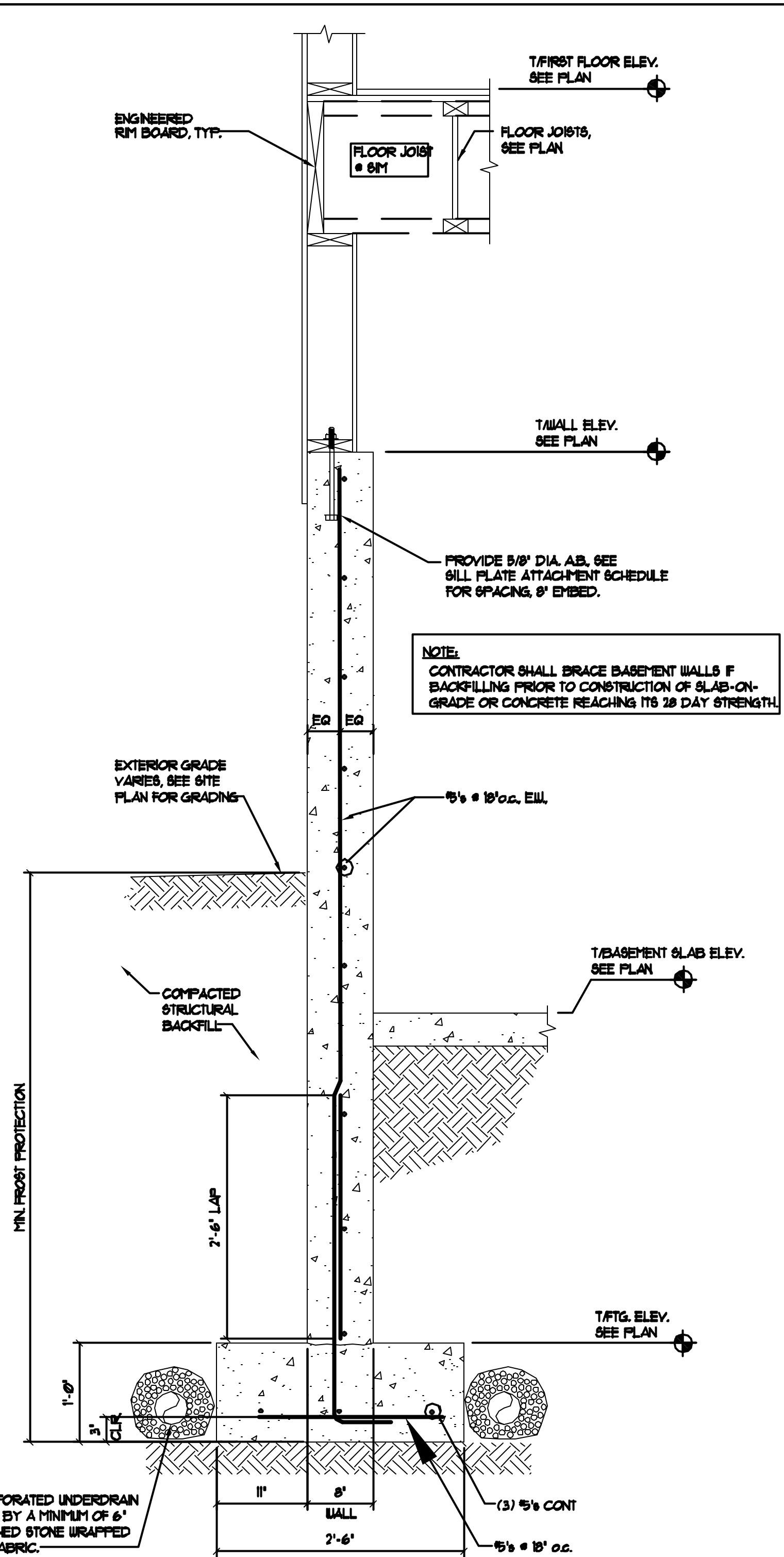
DRAWN BY MAC
CHECK BY ACH

FOUNDATION SECTIONS

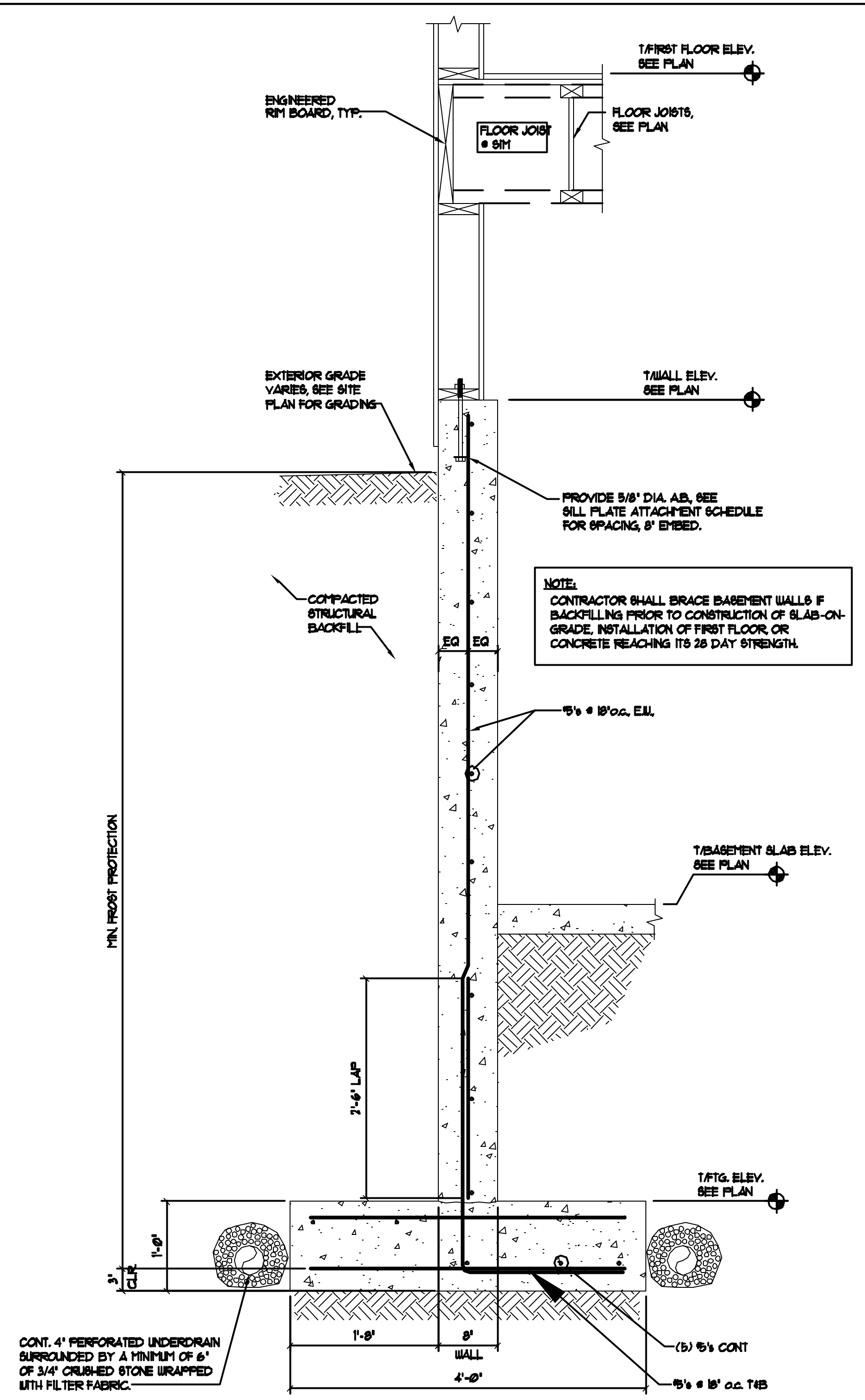
S-3.1



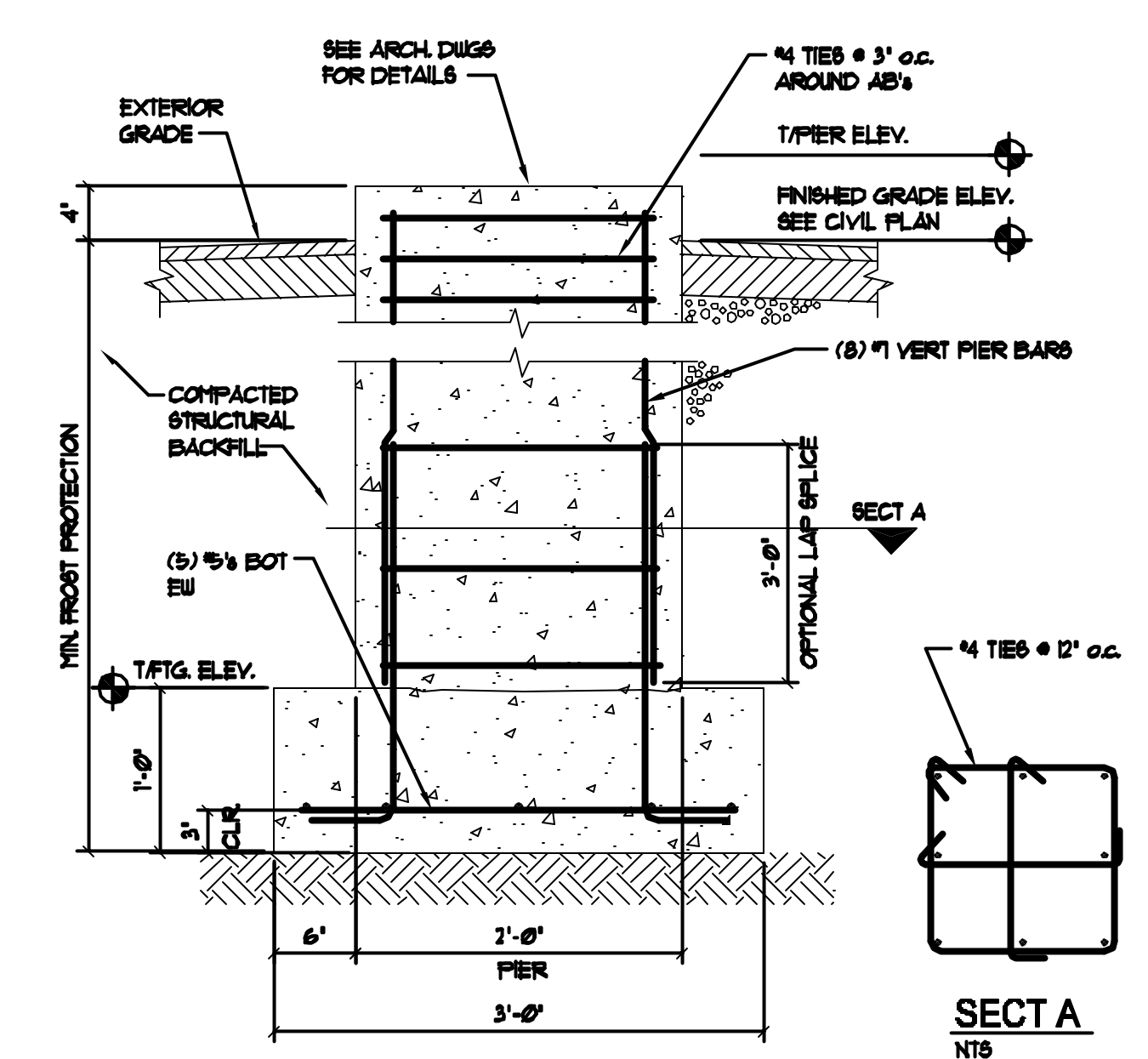
1 SECTION THROUGH WALL
SCALE: 1" = 1'-0"



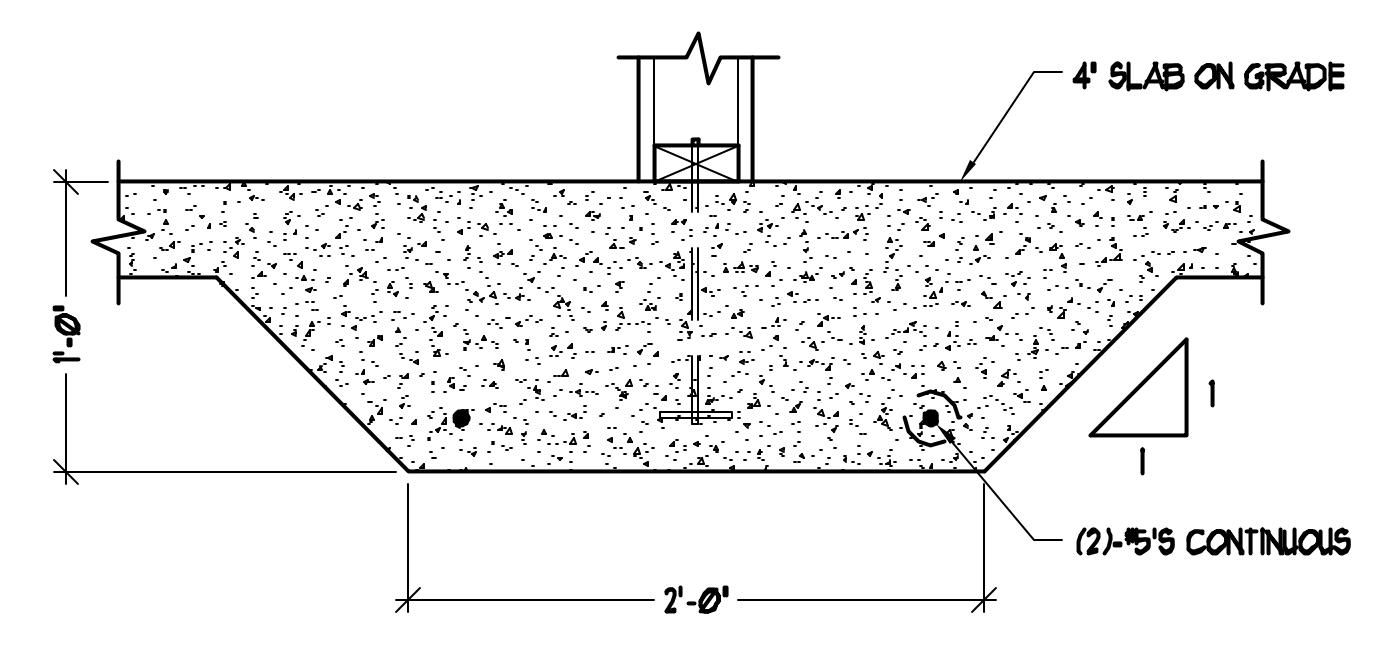
2 SECTION THROUGH WALL
SCALE: 1" = 1'-0"



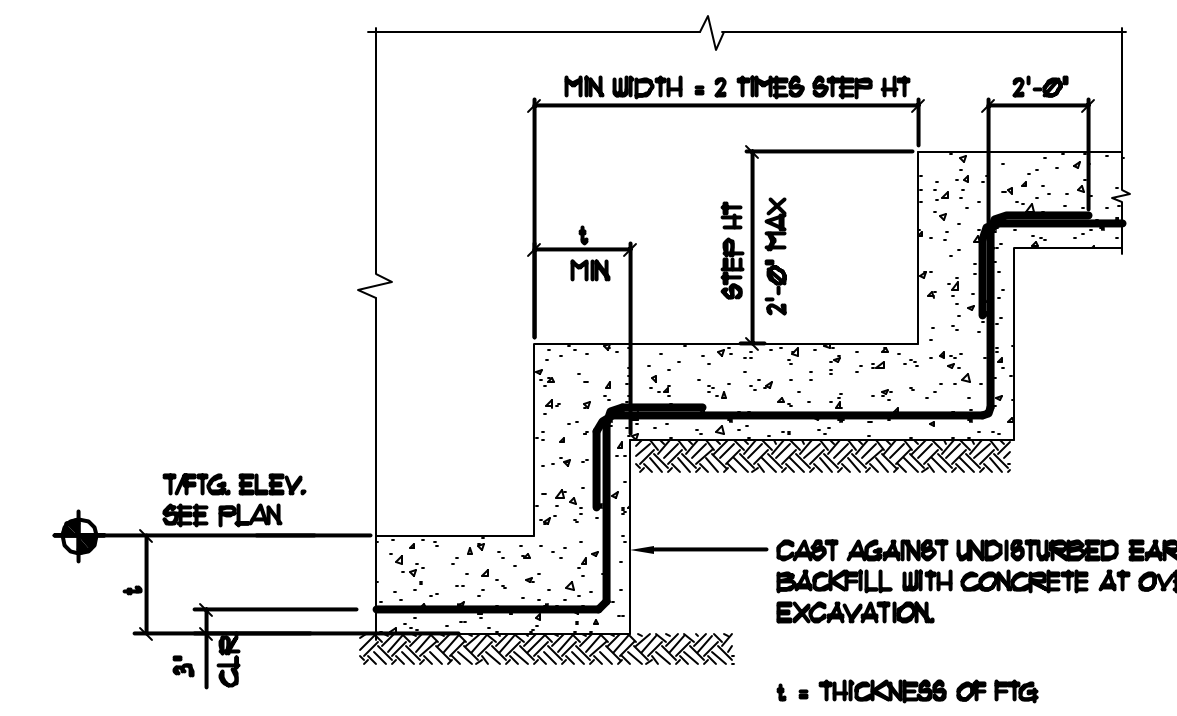
3 SECTION THROUGH WALL
SCALE: 1" = 1'-0"



4 SECTION THROUGH EXTERIOR PIERS
SCALE: 1" = 1'-0"



5 TYP. THICKENED SLAB
SCALE: 1" = 1'-0"



6 TYP. STEPPED FOOTING
SCALE: 1" = 1'-0"