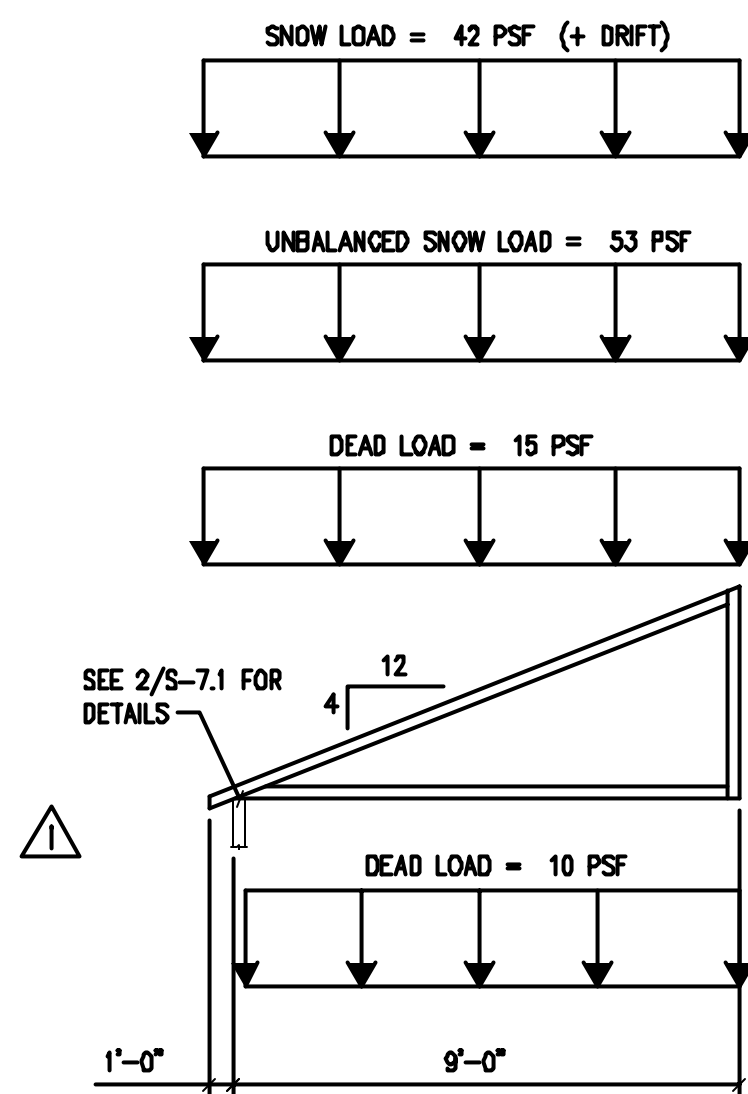
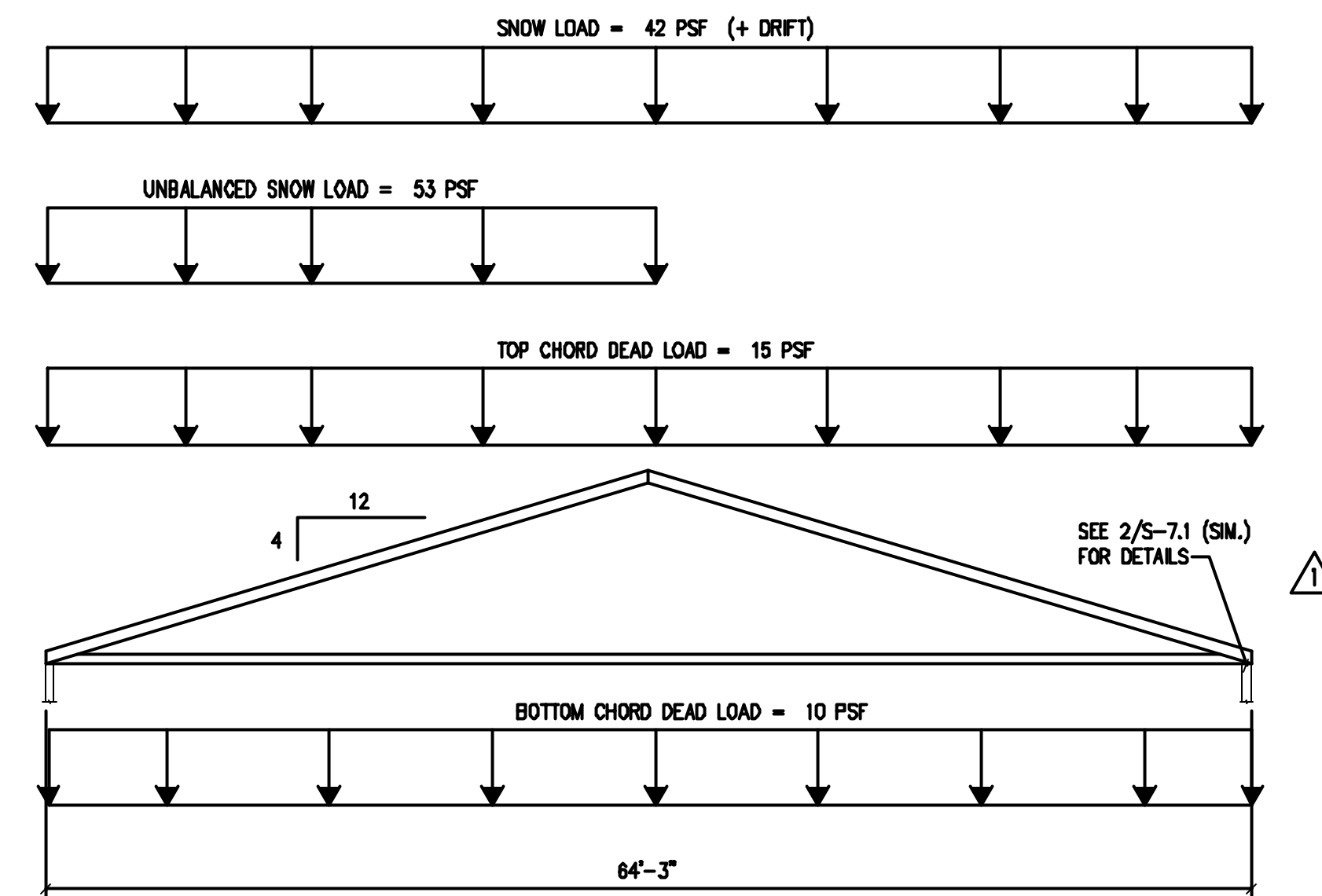


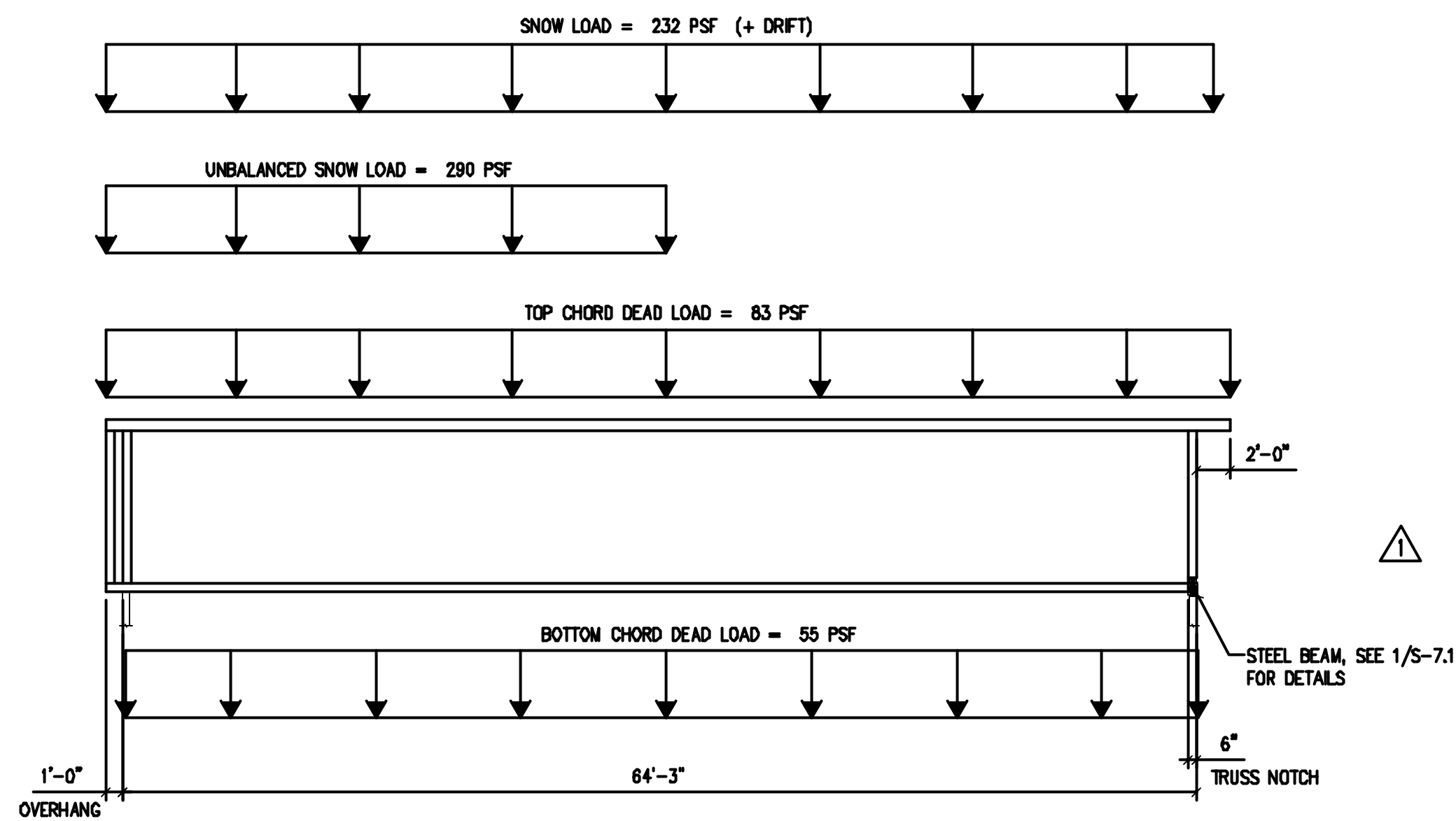
1 TRUSS T-1
SCALE: 1/8" = 1'-0"



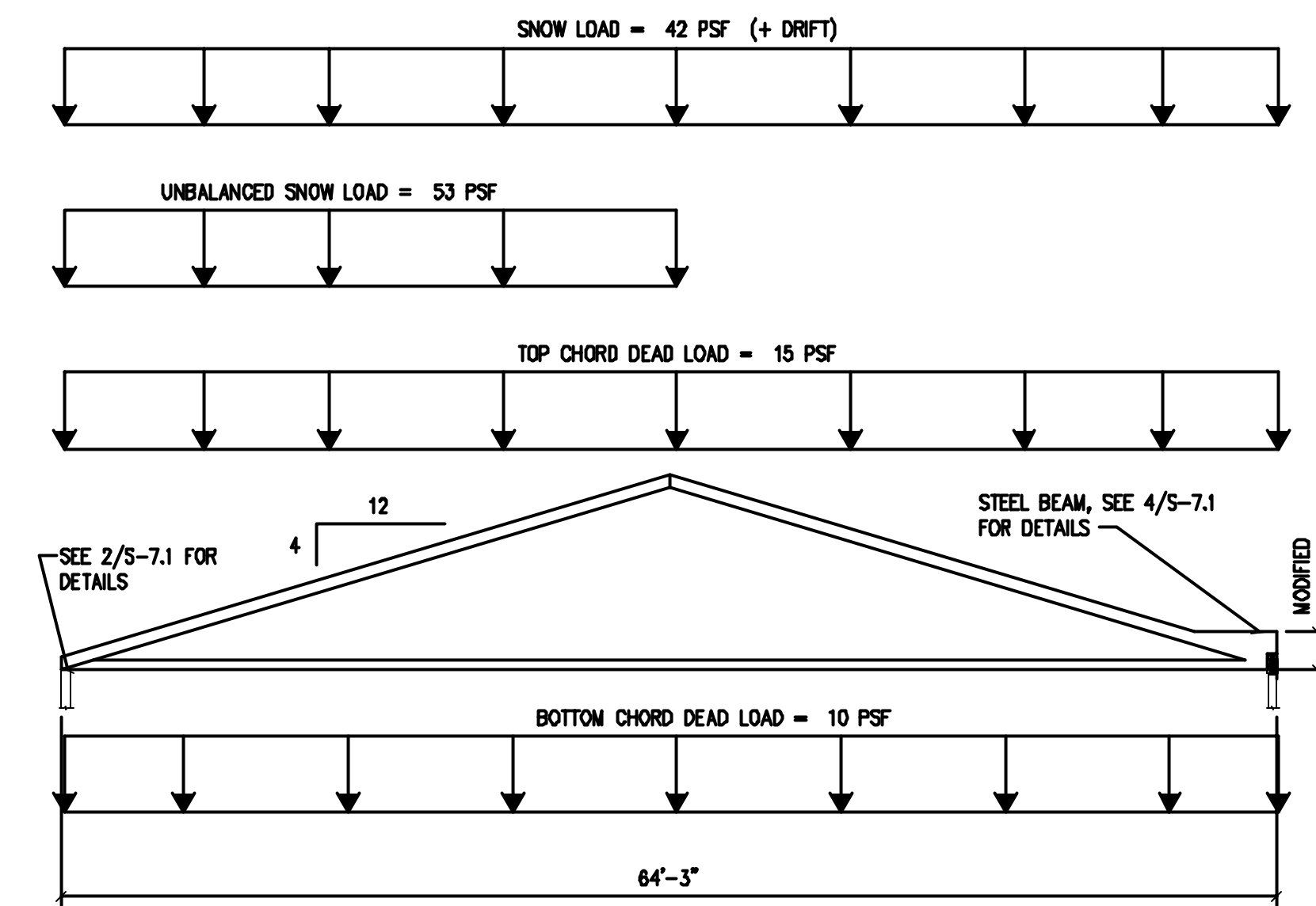
2 TRUSS T-2
SCALE: 1/8" = 1'-0"



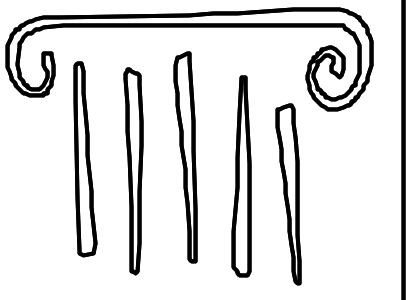
3 TRUSS T-3
SCALE: 1/8" = 1'-0"



4 TRUSS GT-1
SCALE: 1/8" = 1'-0"



5 TRUSS T-3A
SCALE: 1/8" = 1'-0"



PORT CITY ARCHITECTURE

65 NEWBURY STREET
PORTLAND, ME 04101
207.761.9000
fax: 207.761.2010
info@portcityarch.com

© COPYRIGHT
Reuse or reproduction of the contents of this document is not permitted without written permission of PORT CITY ARCHITECTURE PA

GUILFORD COURT
157 York Street
PORTLAND, ME

JOB: 03126

ISSUE DATE	
FRELIM	-
DD	-
BID	03.17.03
C.D.'s	01.05.04
REVISION	06.25.04
PRINT	06.18.04

DRAWN BY MAC
CHECK BY ACH

TRUSS DIAGRAMS

S-2