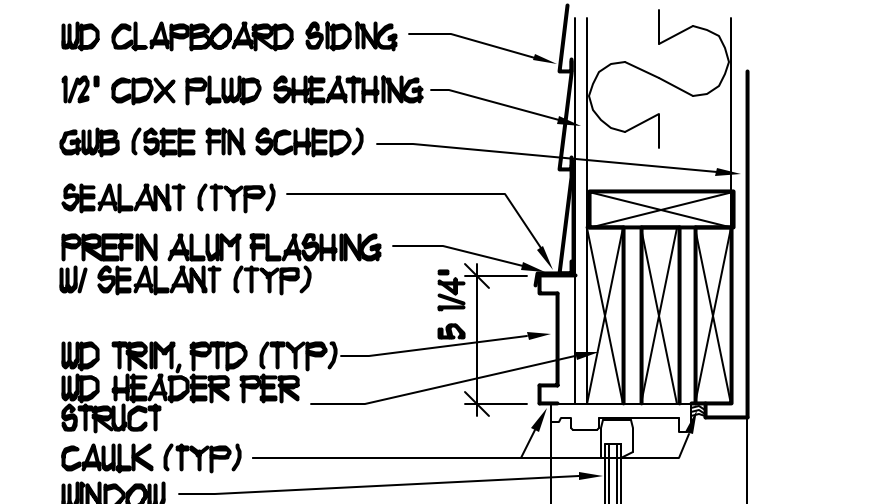
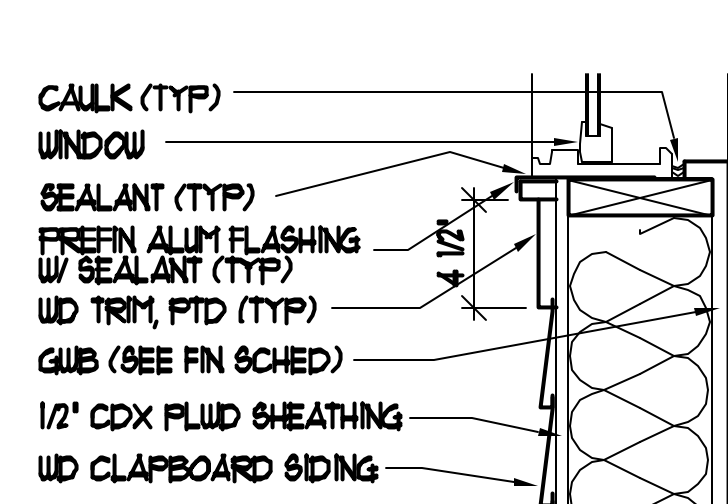


**WINDOW SCHEDULE**

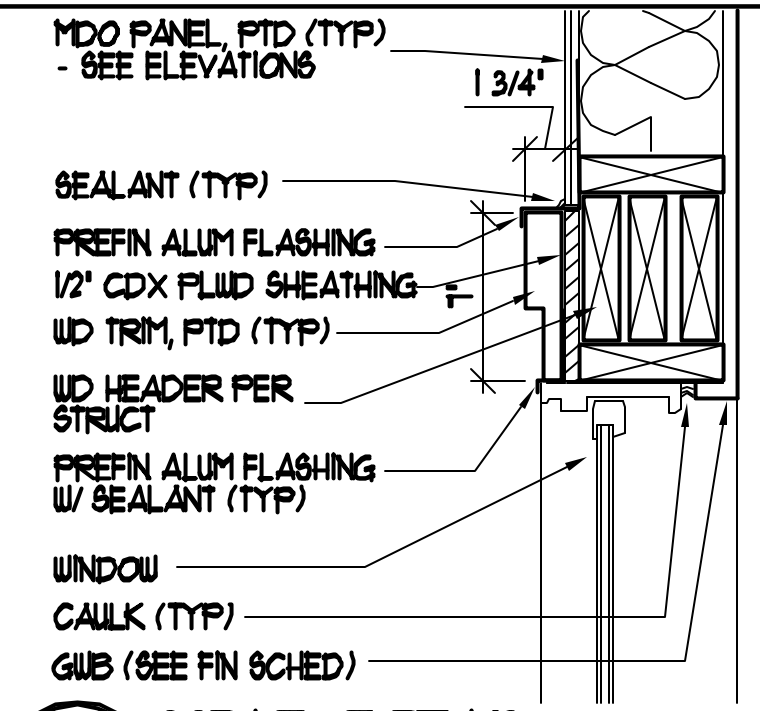
TYPE	SIZE	WINDOW		DETAIL		
		MAT	OPERATION	HEAD	JAMB	SILL
A	3'-0" x 5'-0"	WD	DBL HUNG	3 / A1	3 / A1 SILL	4 / A1
B	3'-6" x 3'-0"	WD	FIXED	3 / A1 SILL	3 / A1 SILL	4 / A1 SILL
C	3'-4" x 3'-6"	WD	DBL HUNG	1 / A1	1 / A1 SILL	2 / A1
D	8'-3" x 6'-8"	ALUM	FIXED			
E	1'-8" x 3'-0"	WD	DBL HUNG	3 / A1	3 / A1 SILL	4 / A1
F	3'-6" x 5'-0"	WD	DBL HUNG	3 / A1	3 / A1 SILL	4 / A1
G	3'-6" x 2'-8"	WD	DBL HUNG	3 / A1 SILL	3 / A1 SILL	4 / A1 SILL
H	1'-8" x 2'-0"	WD	FIXED	3 / A1	3 / A1 SILL	4 / A1



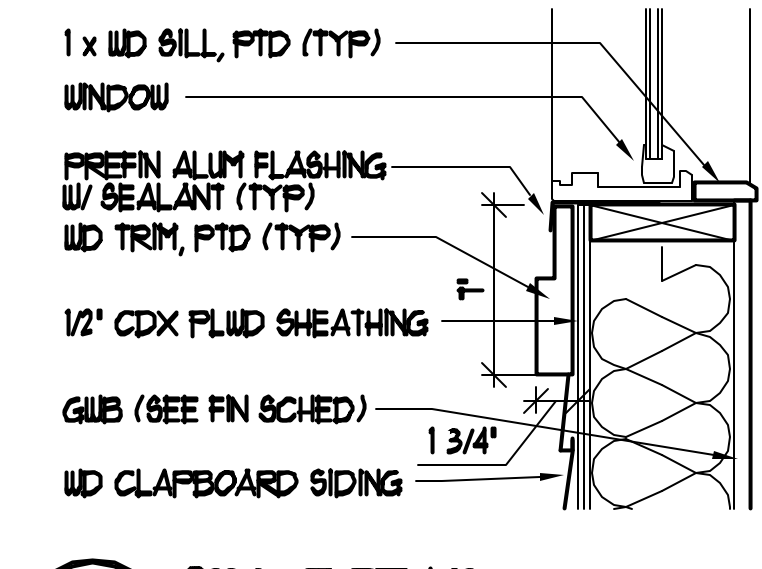
**4 HEAD DETAIL**  
SCALE: 1/2" = 1'-0"



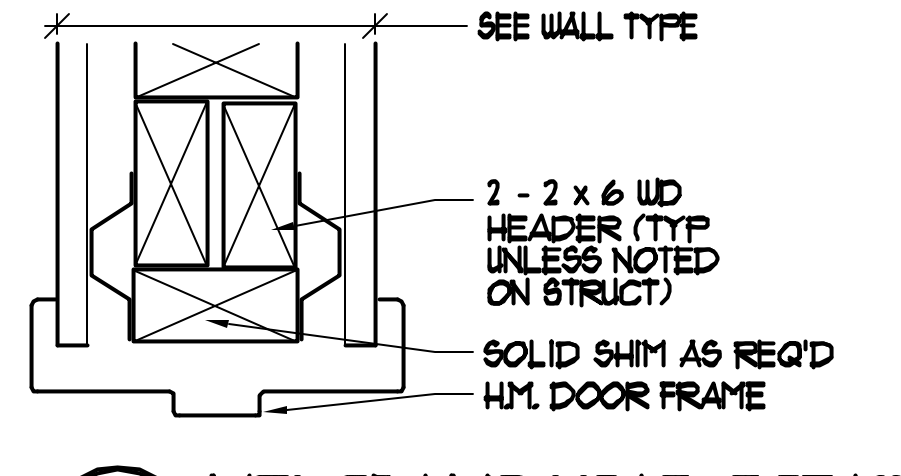
**5 SILL DETAIL**  
SCALE: 1/2" = 1'-0"



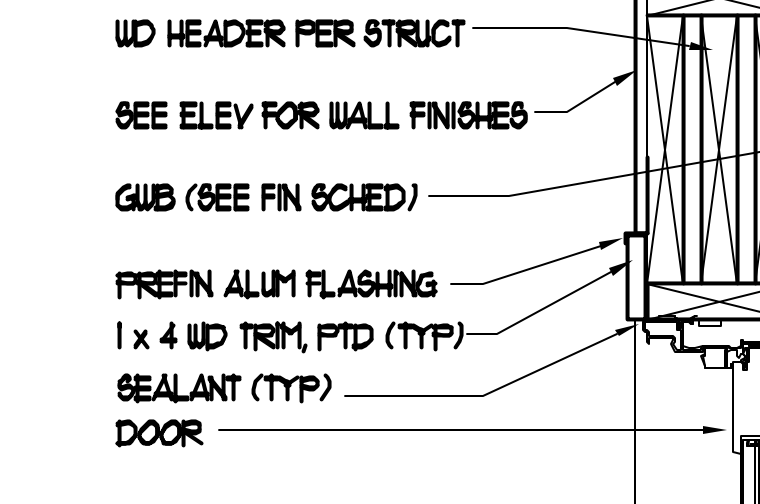
**1 HEAD DETAIL**  
SCALE: 1/2" = 1'-0"



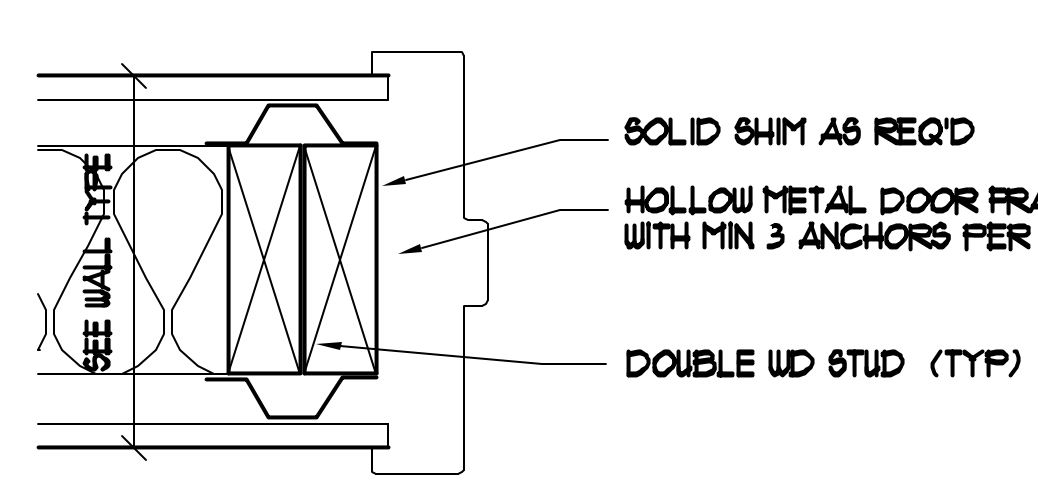
**2 SILL DETAIL**  
SCALE: 1/2" = 1'-0"



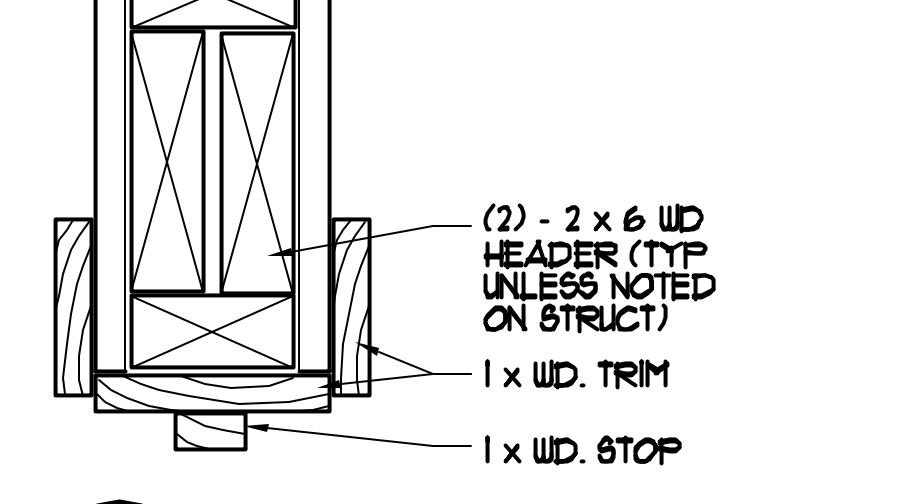
**3 MTL FRAME HEAD DETAIL**  
SCALE: 1/2" = 1'-0"



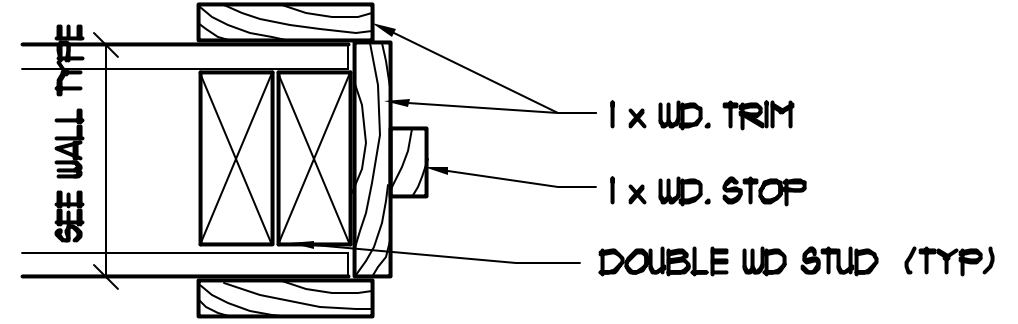
**6 HEAD DETAIL**  
SCALE: 1/2" = 1'-0"



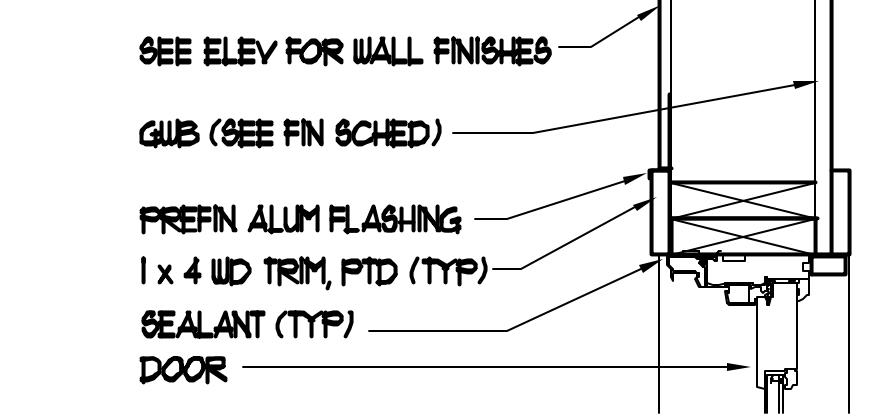
**7 MTL FRAME JAMB DETAIL**  
SCALE: 1/2" = 1'-0"



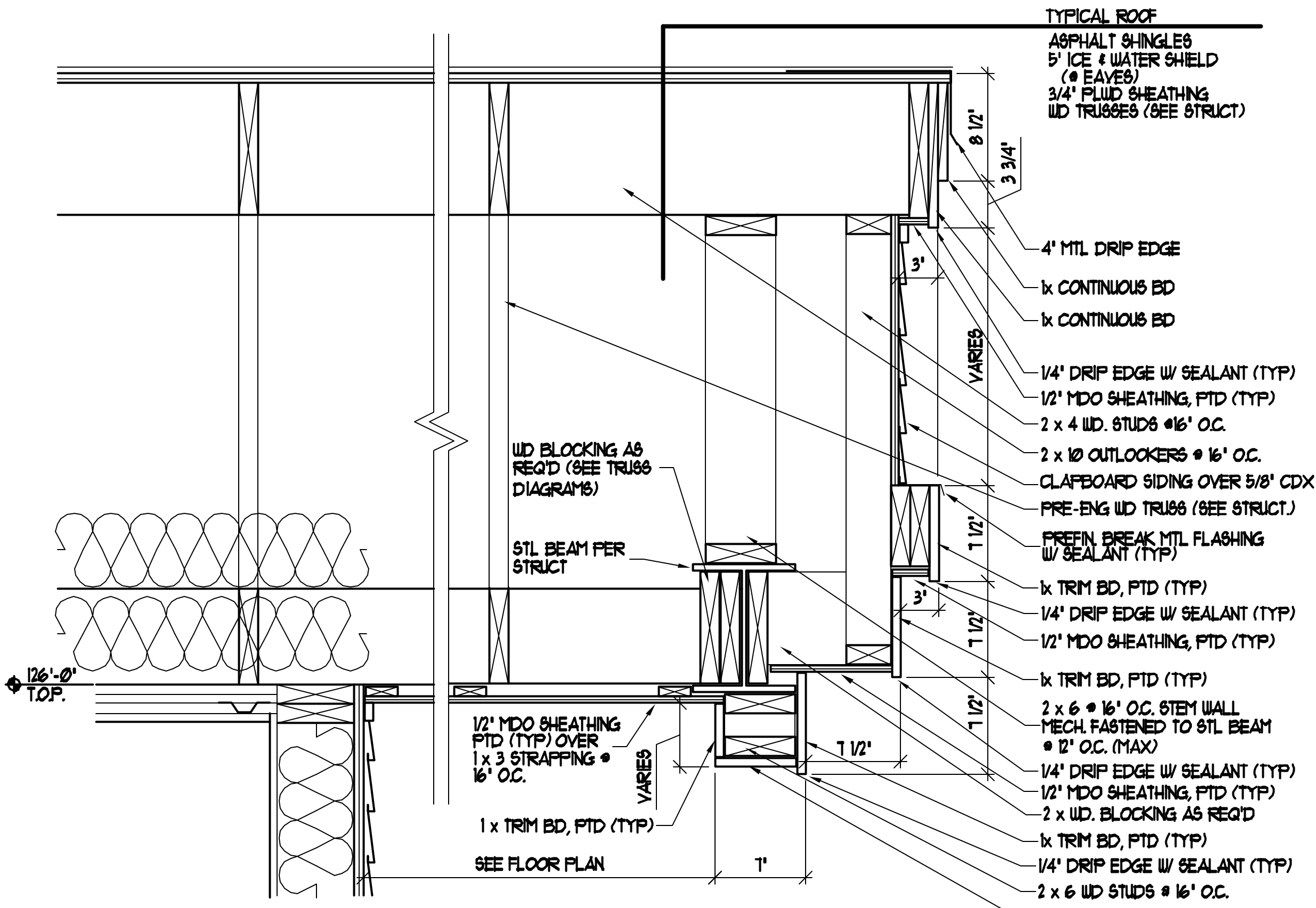
**8 WD FRAME HEAD DETAIL**  
SCALE: 1/2" = 1'-0"



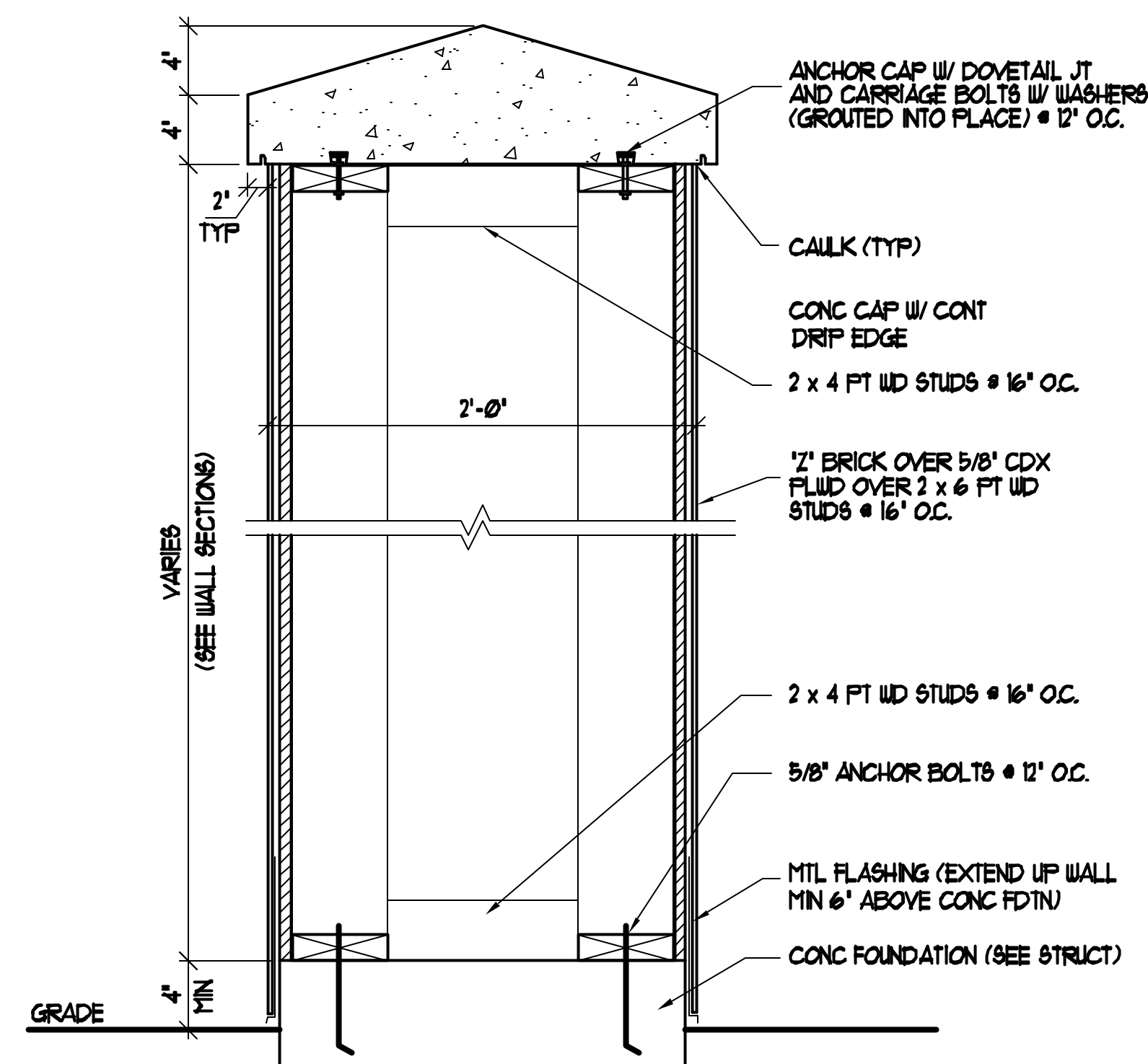
**9 WD FRAME JAMB DETAIL**  
SCALE: 1/2" = 1'-0"



**10 JAMB DETAIL**  
SCALE: 1/2" = 1'-0"



**11 PORCH ROOF OVERHANG**  
SCALE: 1/2" = 1'-0"



**12 SECTION THRU PIER**  
SCALE: 1/2" = 1'-0"

**PORT CITY ARCHITECTURE**  
65 NEWBURY STREET  
PORTLAND, ME 04101  
207.761.9000  
fax: 207.761.2010  
info@portcityarch.com

© COPYRIGHT  
Reuse or reproduction of the contents of this document is not permitted without written permission of PORT CITY ARCHITECTURE, PA

**GUILFORD COURT**  
157 York Street  
PORTLAND, ME

JOB: 03126

ISSUE DATE	
PRELIM	-
DD	-
BID	09.17.03
C.D.'s	01.05.04
REVISION	08.25.04
PRINT	06.18.04

DRAWN BY MAC  
CHECK BY ACH

SCHEDULES  
**A-7**