

PORT CITY ARCHITECTURE

65 NEWBURY STREET
PORTLAND, ME 04101
207.761.9000
fax: 207.761.2010
info@portcityarch.com

© COPYRIGHT

Reuse or reproduction of the contents of this document is not permitted without written permission of PORT CITY ARCHITECTURE PA

GUILFORD COURT
157 York Street
PORTLAND, ME

JOB: 03126

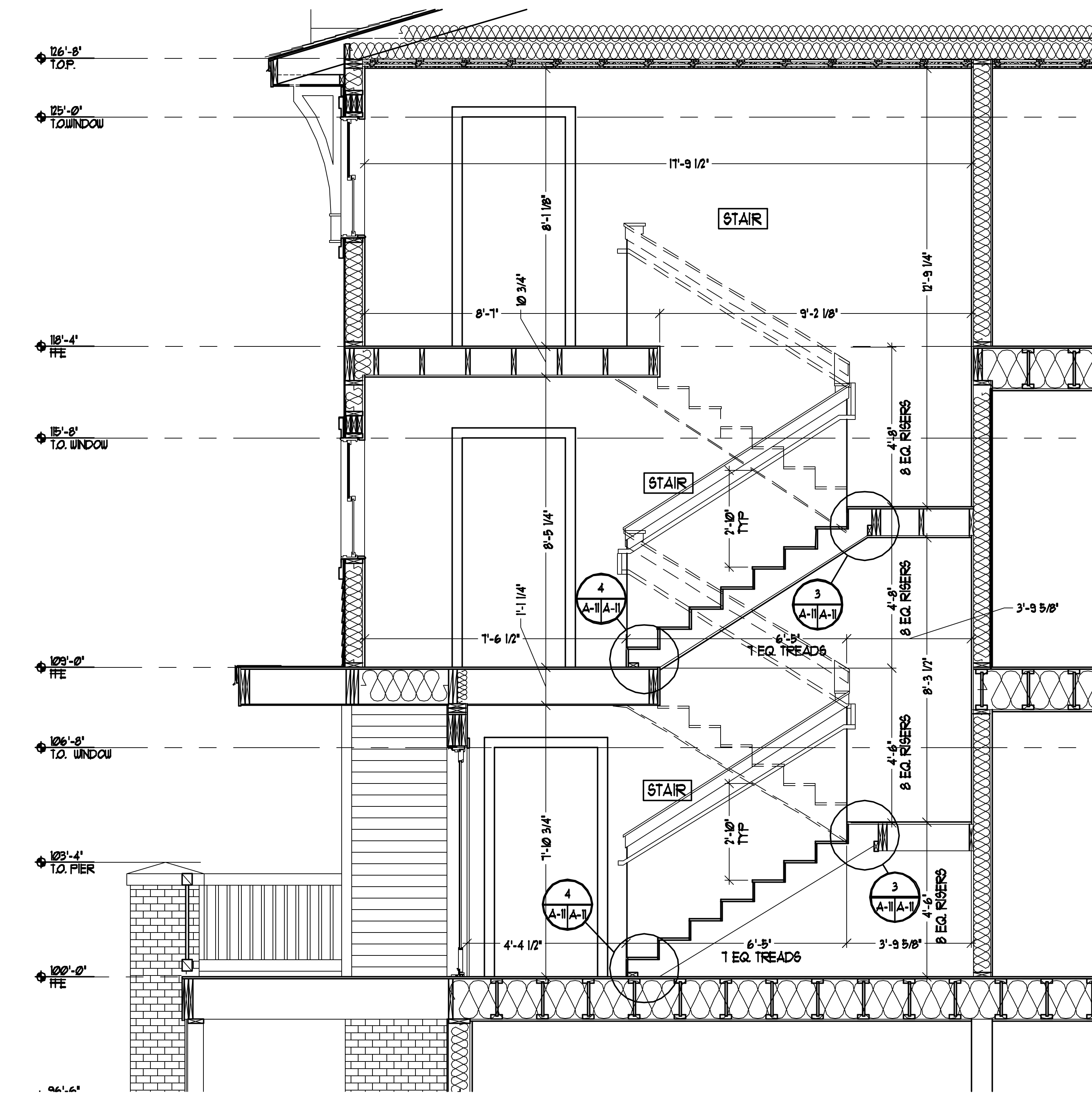
ISSUE DATE

PRELIM	-
DD	-
BID	09.11.03
C.D.'s	01.05.04
REVISION 1	08.25.04
PRINT	06.18.04

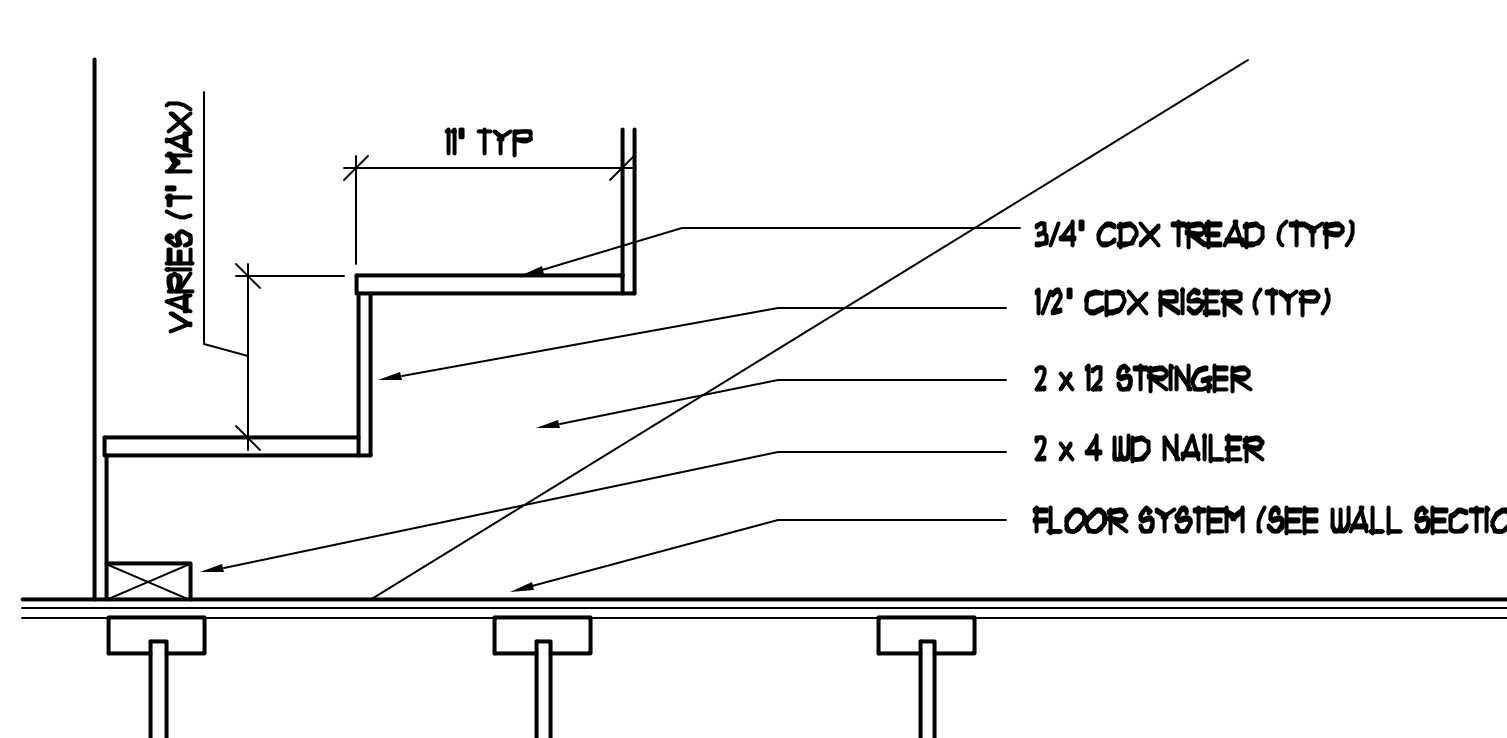
DRAWN BY MAC
CHECK BY ACH

STAIR SECTIONS

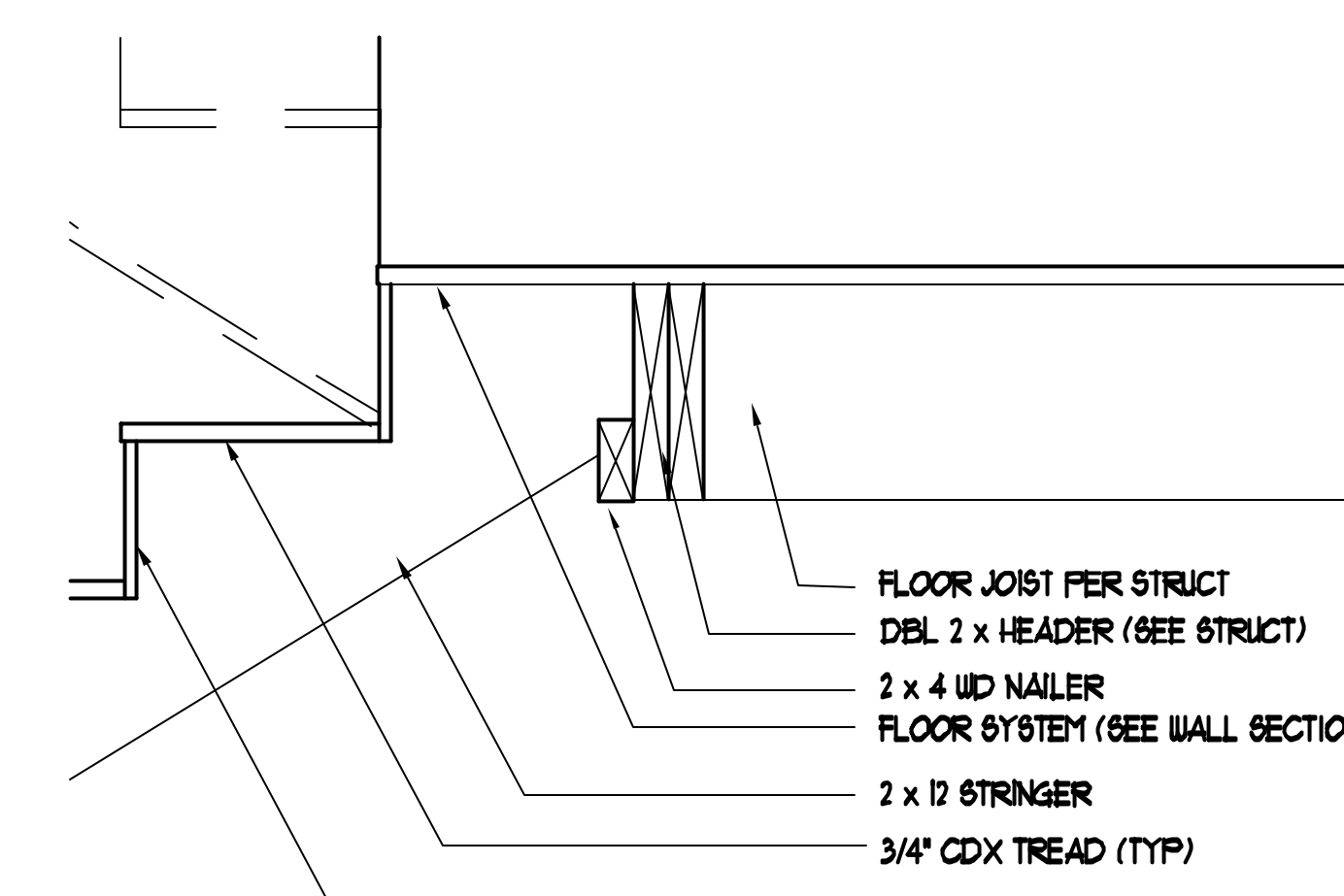
A-11



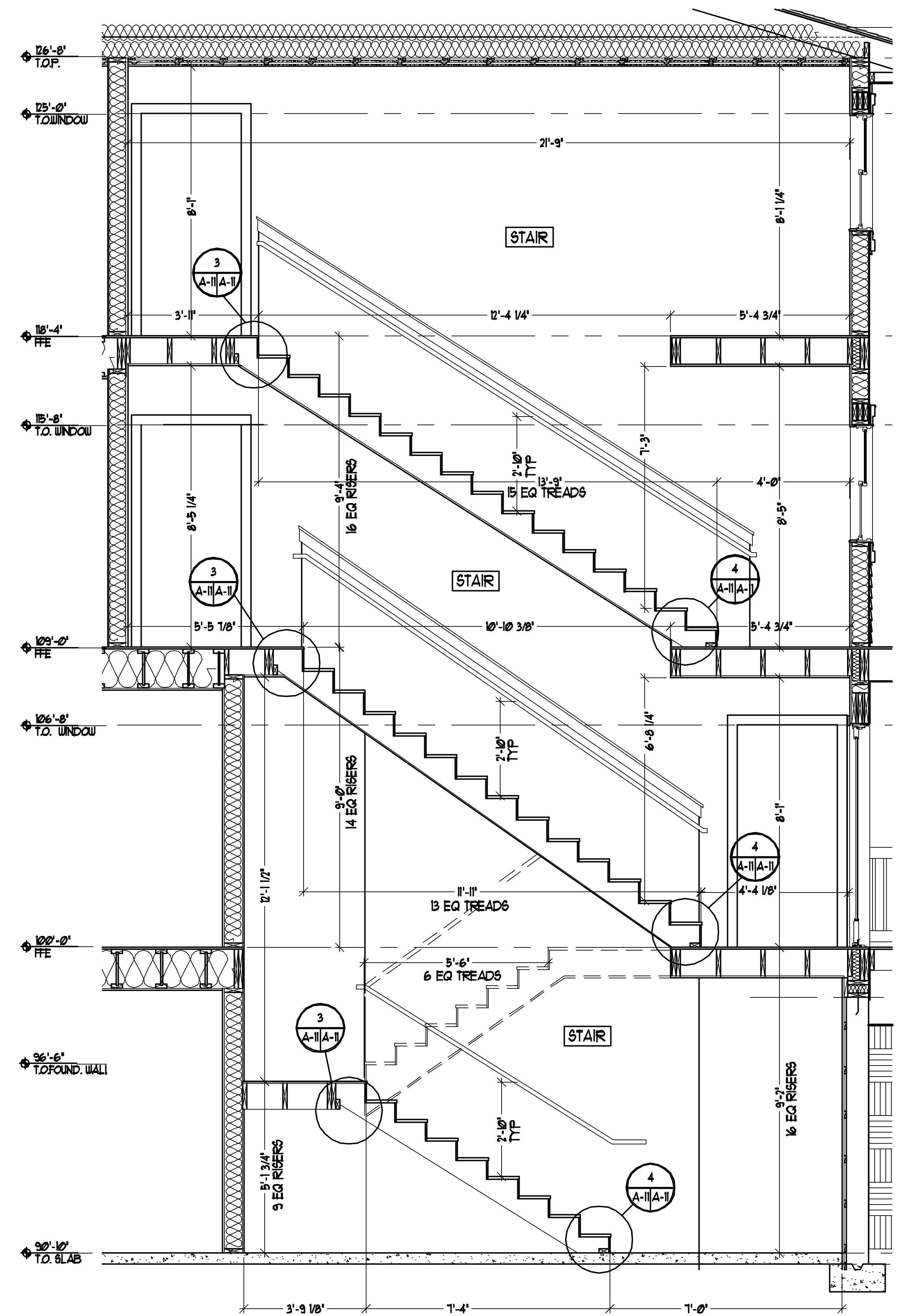
2 STAIR SECTION
SCALE: 1/2"=1'-0"



4 STAIR DETAIL
SCALE: 1 1/2"=1'-0"



3 STAIR DETAIL
SCALE: 1 1/2"=1'-0"



1 STAIR SECTION
SCALE: 1/2"=1'-0"

NOTE:
WHILE THE RISERS VARY BETWEEN FLIGHTS OF STAIRS TO MAINTAIN THE FLOOR TO FLOOR HEIGHTS, ALL STAIRS SHALL HAVE DIMENSIONAL UNIFORMITY AS PER BOCA SECTION 1014.6.2.