

1 2 3 4 5 6 7

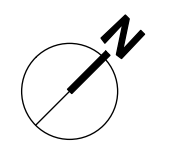
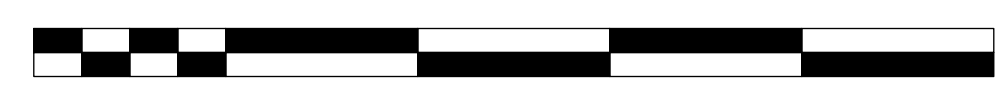
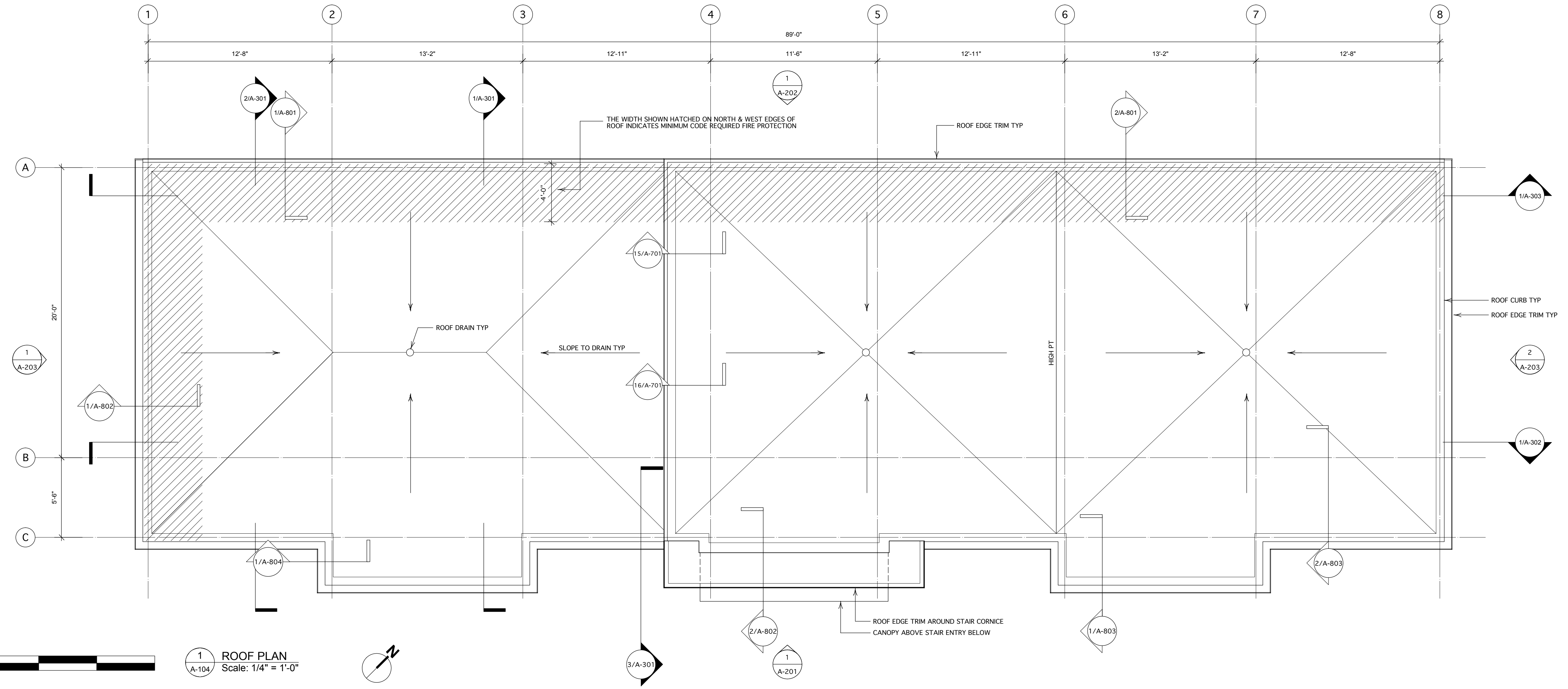
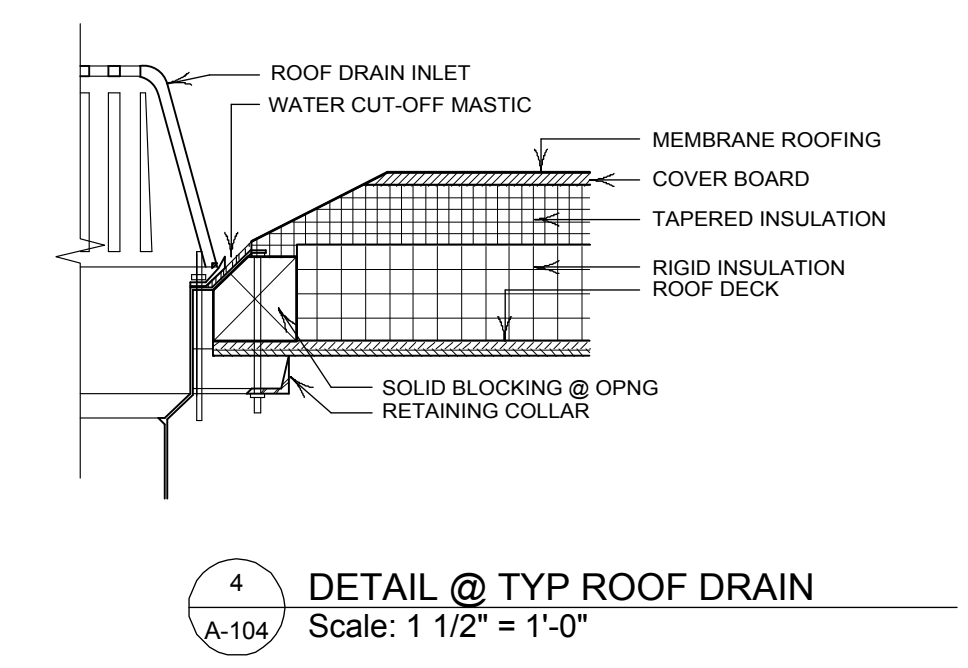
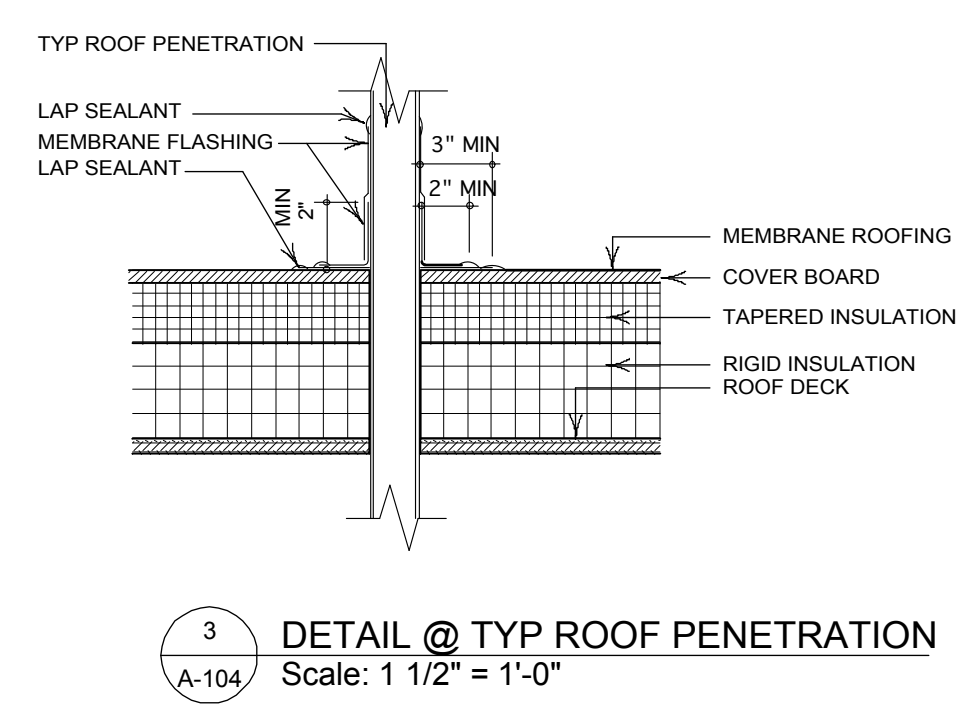
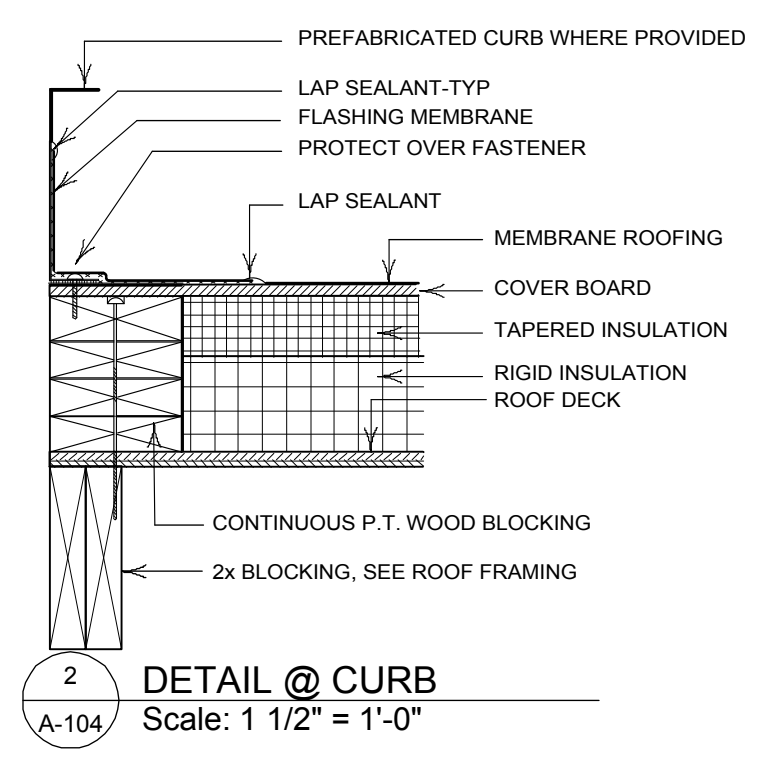
A

B

C

D

E



Project Title	Residential Housing Project 133 York Street Portland, Maine	Design Firm	HKTA/architects 482 Congress Street Suite 502 Portland, Maine 04101	Consultant	Pinkham & Greer Consulting Engineers 28 Vannah Avenue Portland, Maine 04103	Project No.	2013005	Revision	7/26/13	Date	7/22/13	Issue Note	No.	Date	Revision Notes	Zone	Appr
Scale	Sheet Scale	Drawn By	reh	Designed By	reh	Checked By	reh	Reviewed By	reh	Submitted By	reh	Project Manager	reh	Project Name	133 York, VVX	Print Date	
Project Title	Residential Housing Project 133 York Street Portland, Maine	Design Firm	HKTA/architects 482 Congress Street Suite 502 Portland, Maine 04101	Consultant	Pinkham & Greer Consulting Engineers 28 Vannah Avenue Portland, Maine 04103	Project No.	2013005	Revision	7/26/13	Date	7/22/13	Issue Note	No.	Date	Revision Notes	Zone	Appr

FOR PLANNING BOARD REVIEW

HKTA / architects
482 Congress Street Suite 502
Portland, Maine 04101
phone: 207. 774. 6016
fax: 207. 774. 9128
email: hkta@maine.rr.com

Sheet Scale
A-104
of
30

1 2 3 4 5 6 7