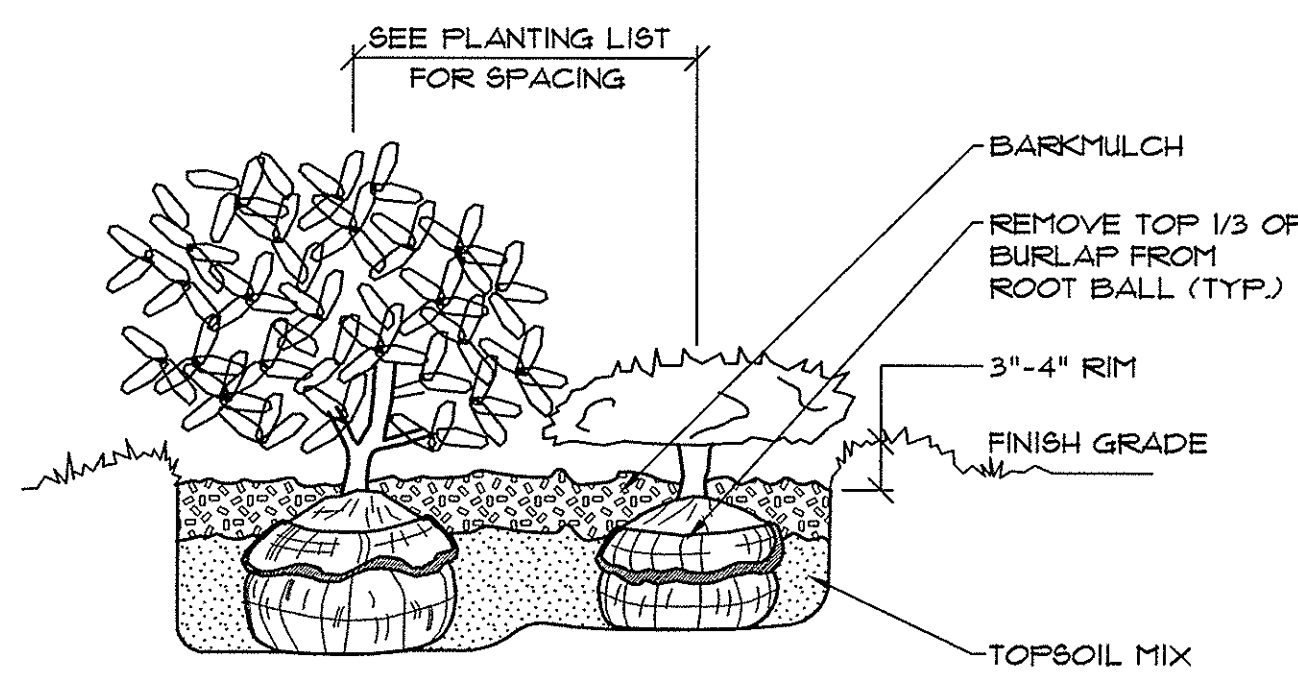
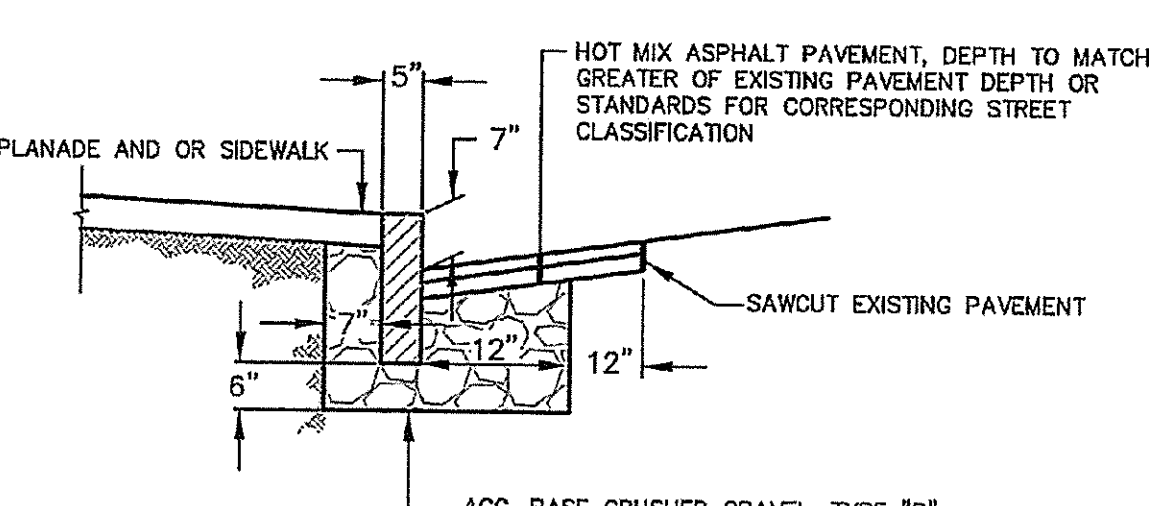
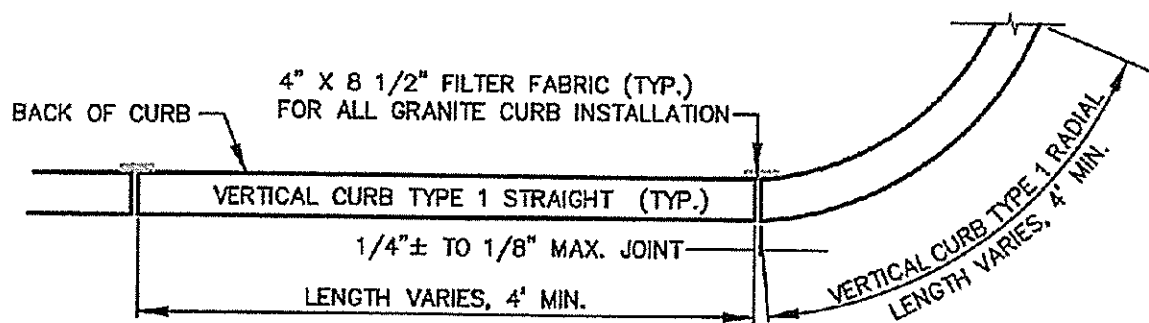
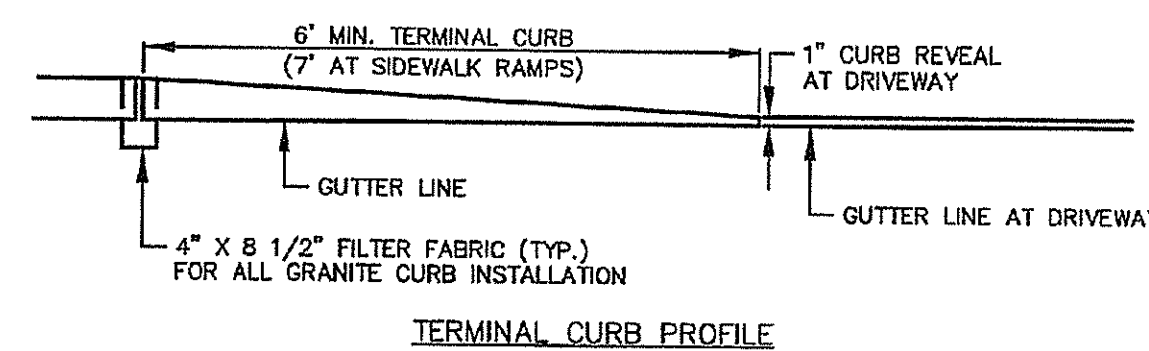


9 BIKE RACK DETAIL



7 SHRUB PLANTING DETAIL

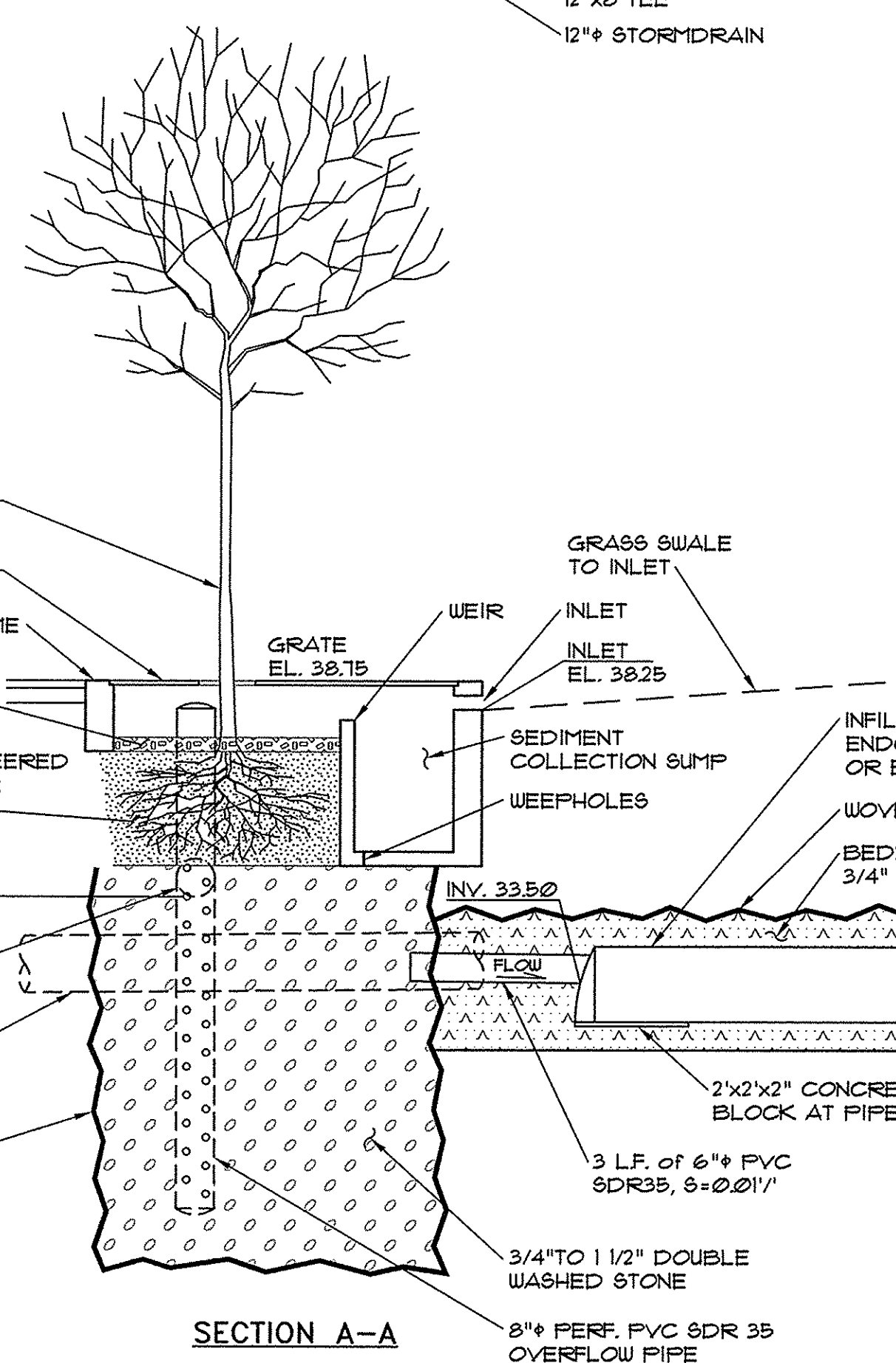
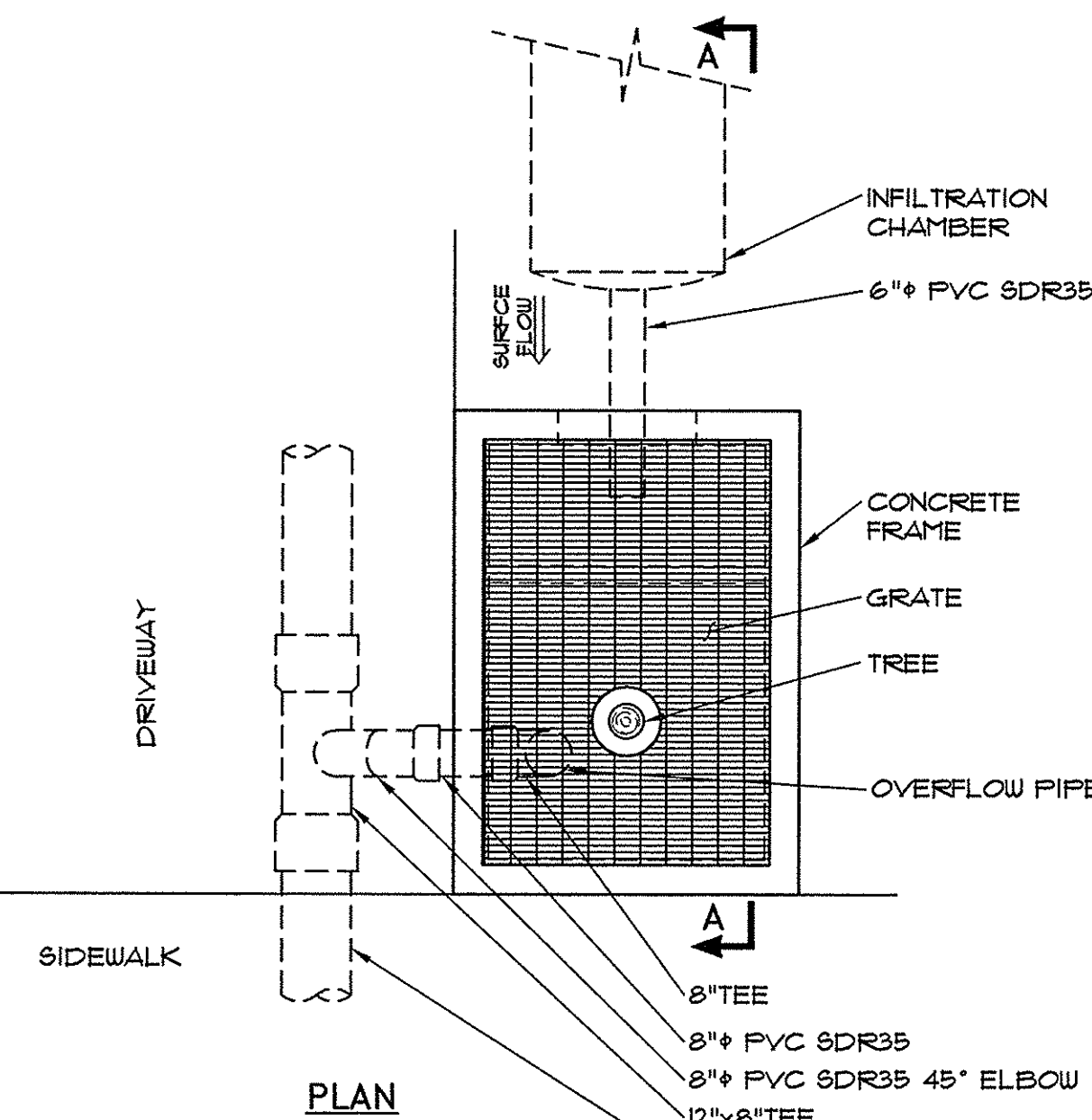


4 VERTICAL GRANITE CURB INSTALLATION IN EXISTING STREET (I-17)

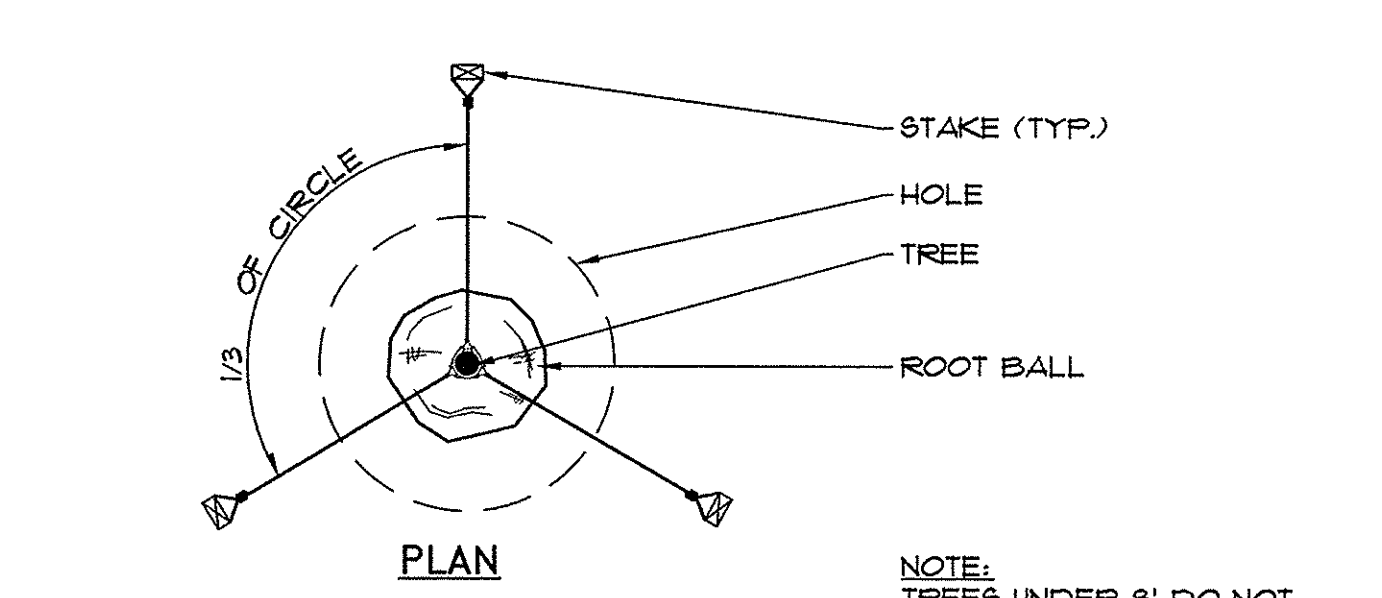
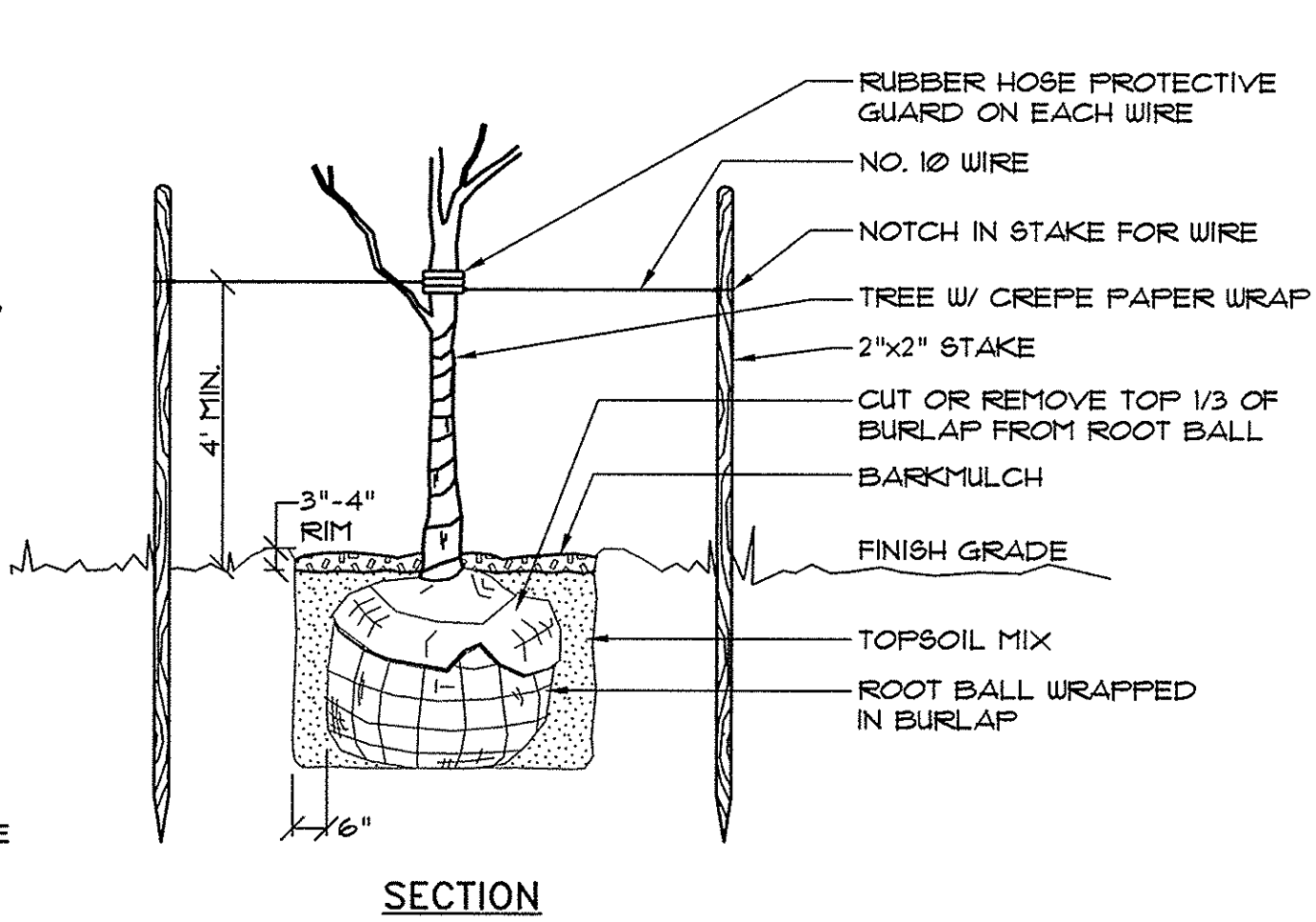
CONSTRUCTION	USE
1 1/4" HMA MDOT 9.5mm 2 1/4" HMA MDOT 19.2mm 4" COMPACTED AGGREGATE BASE, MDOT 103.06(a) TYPE A 15" COMPACTED AGGREGATE SUBBASE, MDOT 103.06(b) TYPE D COMPACTED SUBGRADE	BITUMINOUS FULL DEPTH CONSTRUCTION
4" TOPSOIL, NO STONES OVER 3/4" DIA. GRANULAR MATERIAL IN FILL AREAS COMPACTED SUBGRADE	GRASS ALL DISTURBED AREAS
3" BARKMULCH PREPARED SUBGRADE	PLANT BED BARKMULCH

NOTES:  
1. HMA = HOT MIX ASPHALT.  
MDOT = MAINE DEPARTMENT OF TRANSPORTATION.  
2. ALL COURSE THICKNESS AFTER FINAL COMPACTION.

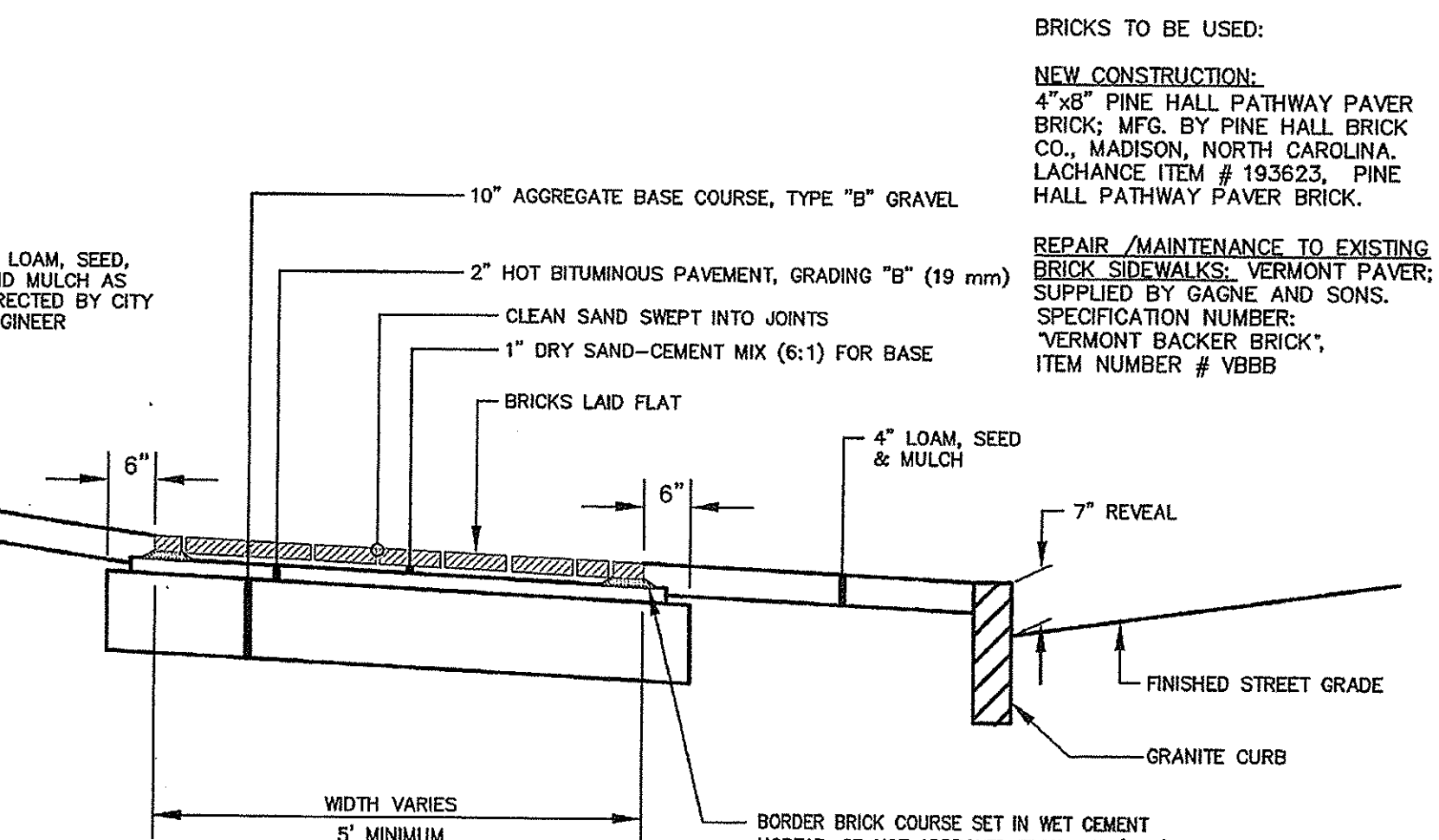
1 SCHEDULE OF SURFACE FINISHES ON-SITE



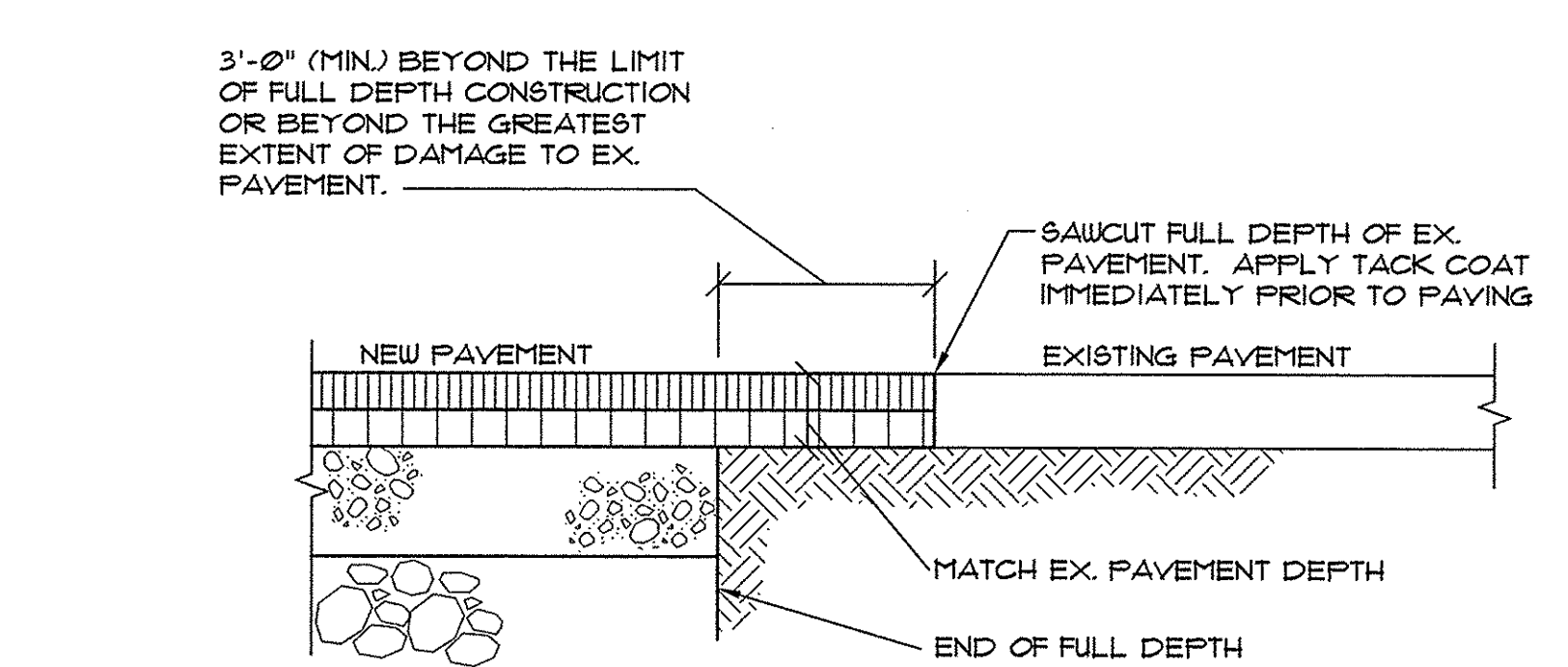
10 TREE FILTER DETAILS



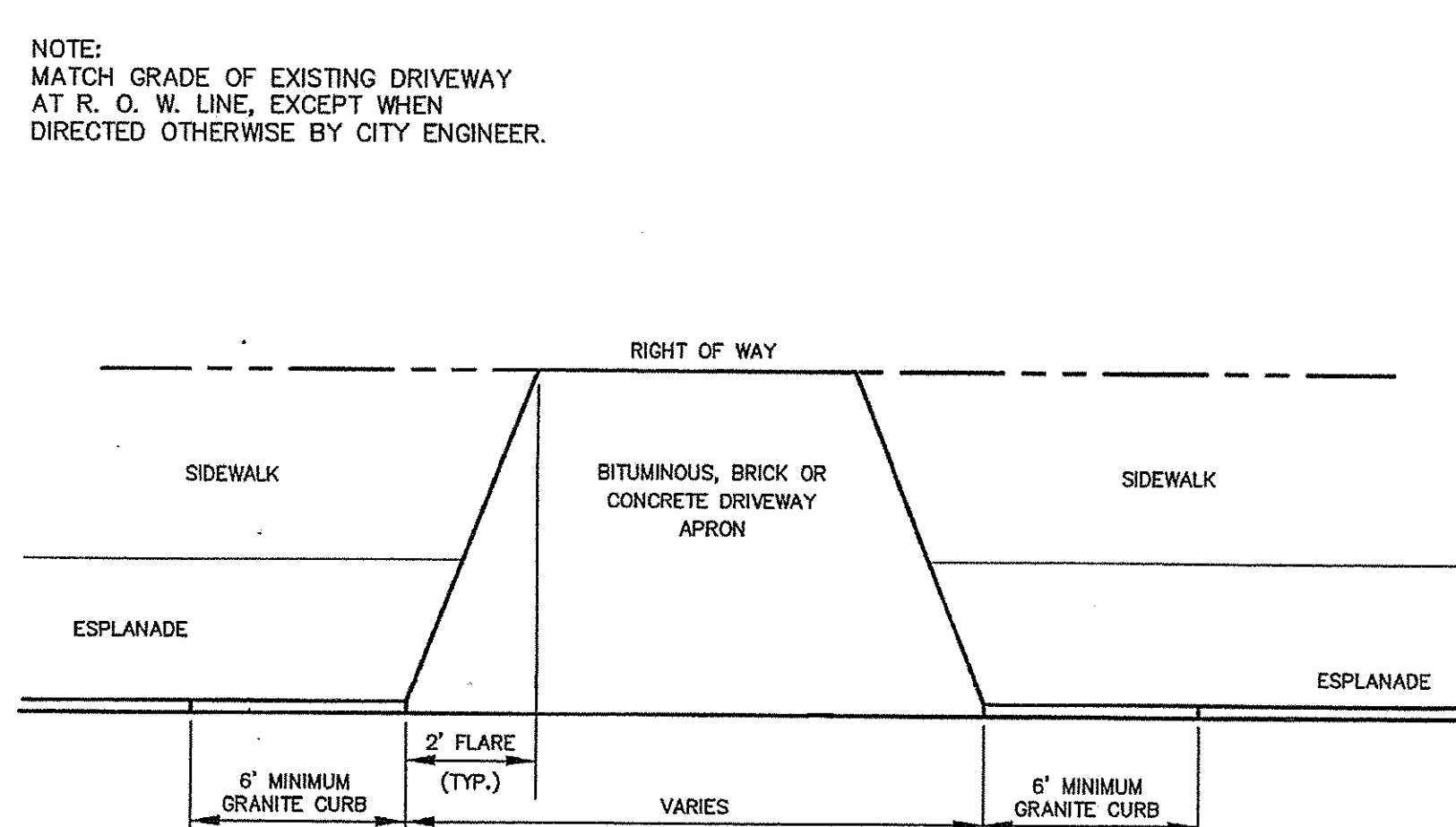
8 TREE PLANTING DETAIL



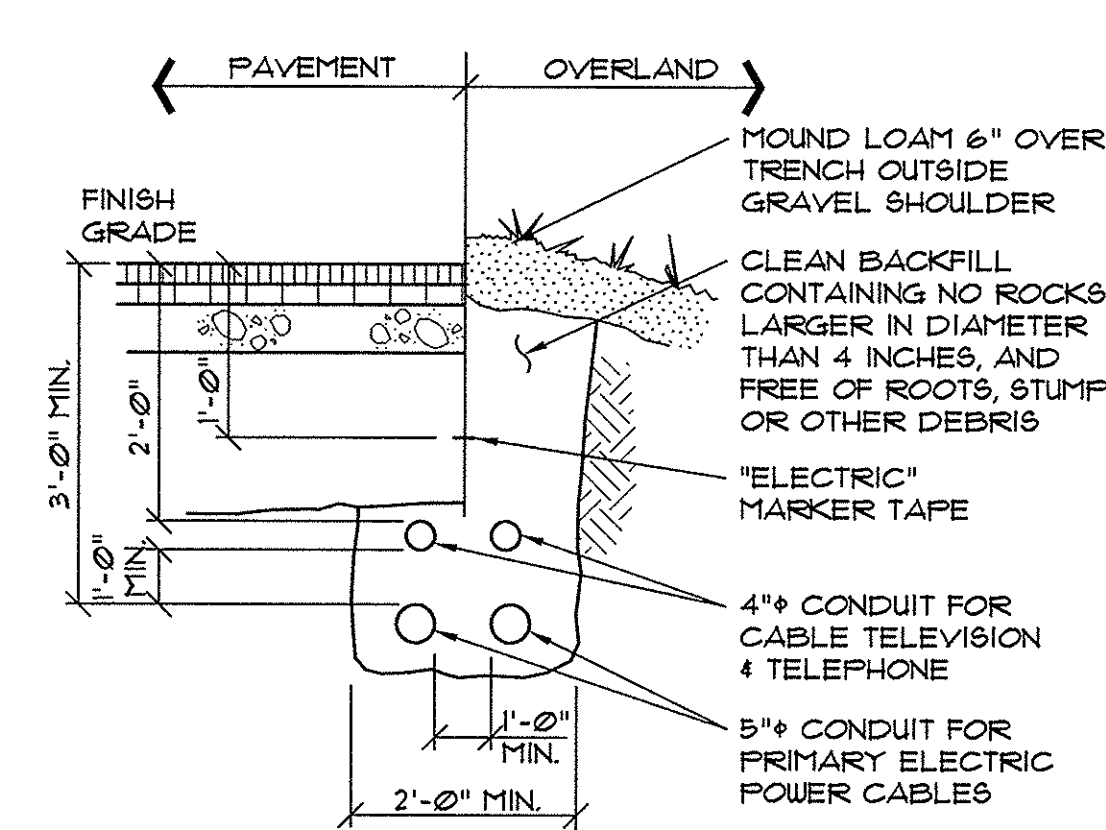
5 BRICK SIDEWALK RAMP WITH BITUMINOUS BASE (I-10)



2 PAVEMENT CUTTING & MATCHING SECTION

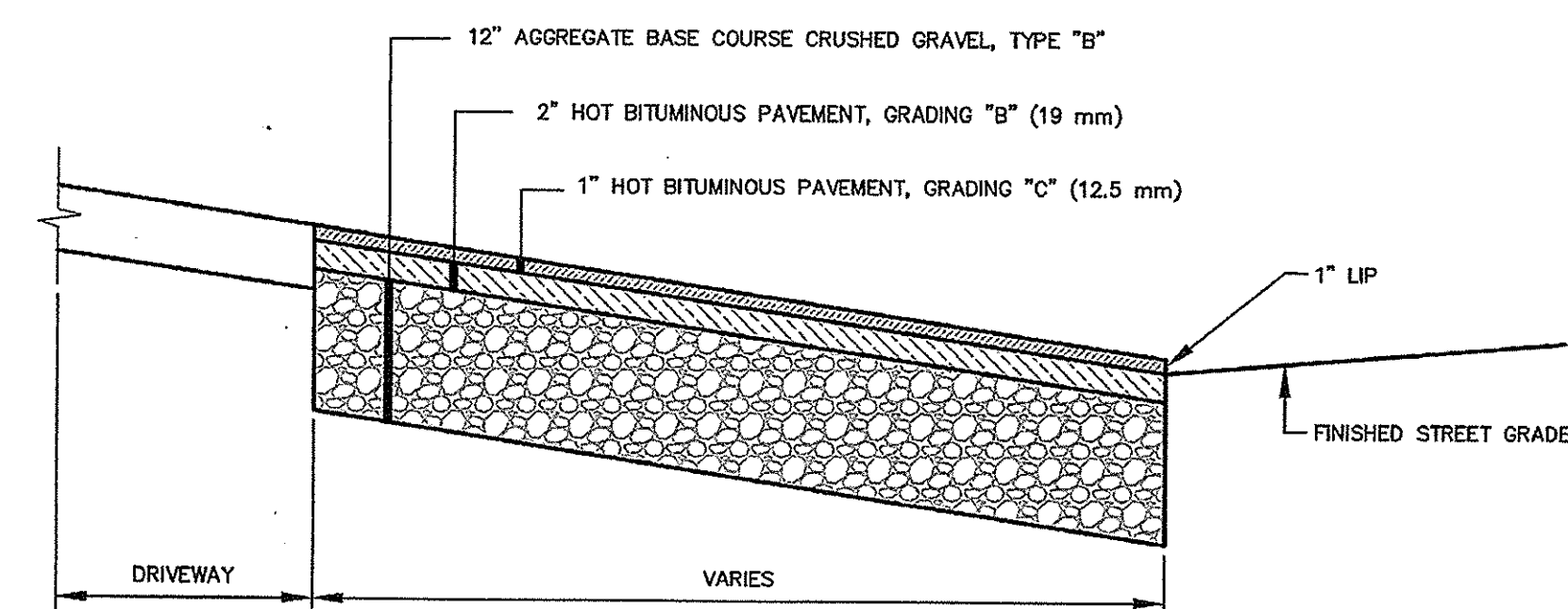


3 DRIVEWAY APRON LAYOUT (I-9)



NOTES:  
1. INSTALLATION SHALL NOT ALLOW INTER-TWINING OF CABLES.  
2. DIRECT BURY CABLES EXCEPT UNDER PAVED AREAS.  
PROVIDE SCH. 40 PVC CONDUIT UNDER PAVED AREAS, EXTEND CONDUIT 5'-0\"/>

11 CABLE TRENCH SECTION



6 BITUMINOUS DRIVEWAY APRON (I-13)

2	10/21/13	REV'D PER CITY REVIEW
1	10/1/13	SUBMITTED FOR FINAL APPROVAL
REV.	DATE	DESCRIPTION

133 YORK, LLC  
110 MARGINAL WAY, SUITE 292, PORTLAND

133 YORK STREET CONDOMINIUMS  
133 YORK STREET, PORTLAND ME

PINKHAM & GREER  
CONSULTING ENGINEERS  
28 VANNAH AVENUE  
PORTLAND, MAINE

DETAILS

SCALE: AS SHOWN DRN BY: JDC  
DATE: JULY 23, 2013 DESG BY: TSG  
PROJECT: 13105 CHK BY: TSG

