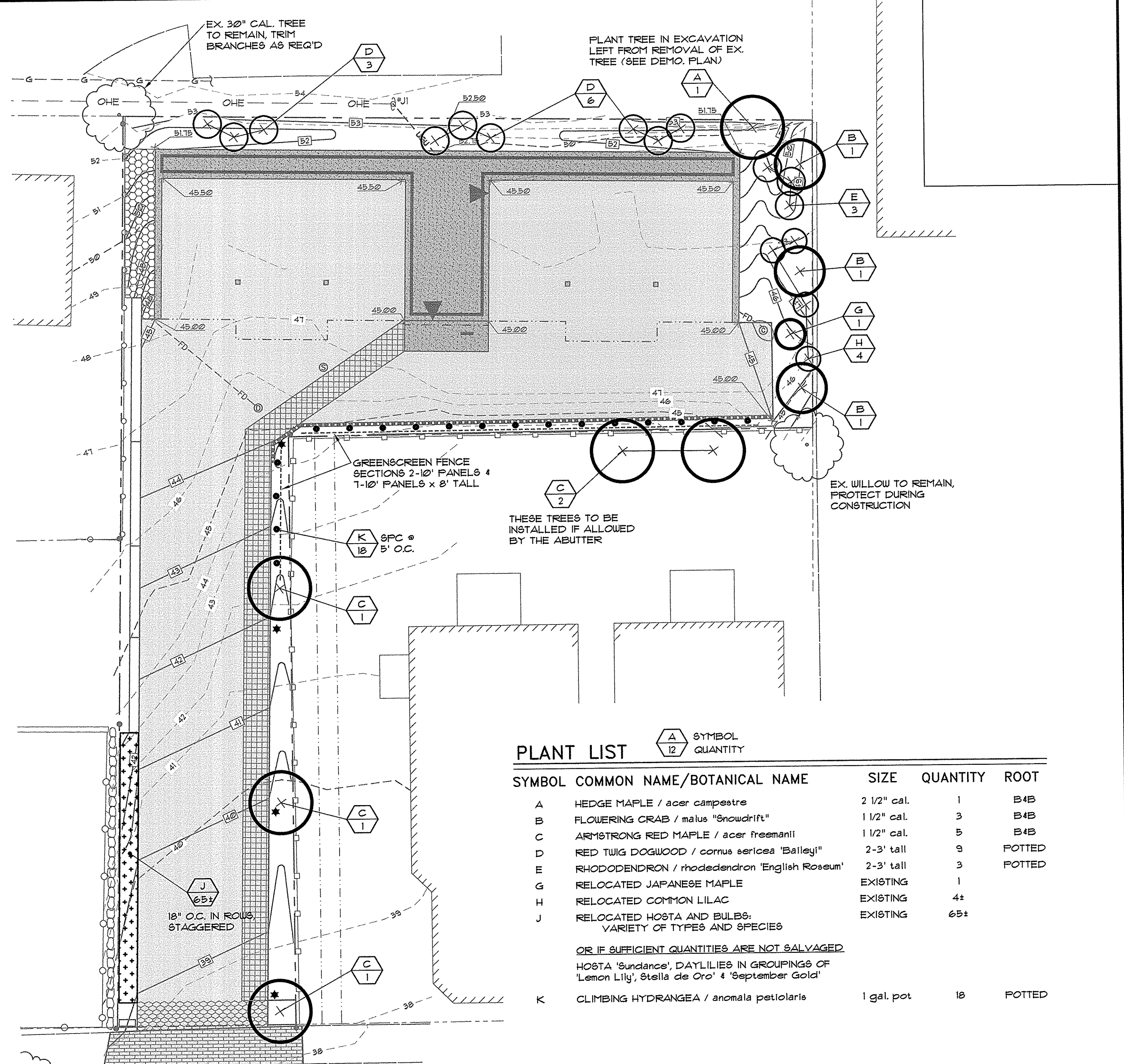
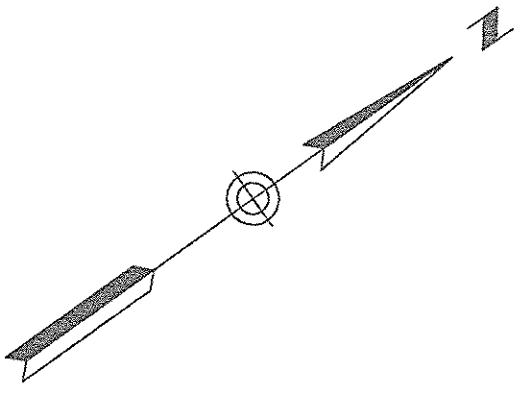
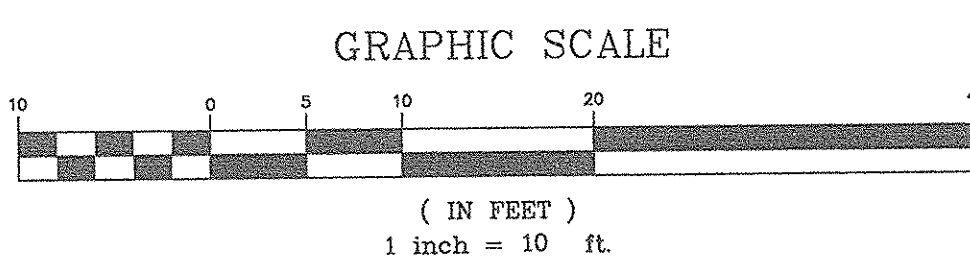


**SUGGESTED SEQUENCE OF CONSTRUCTION TO CONTROL EROSION:**

- THIS SEQUENCE OF CONSTRUCTION IS A GENERAL GUIDE TO THE CONTRACTOR. ACTUAL CONSTRUCTION PRACTICES WILL DICTATE VARIATIONS IN THE ORDER OF MAJOR EVENTS.
1. INSTALL ALL PERIMETER SILT FENCE.
  2. INSTALL SILTATION BASINS. (PRIOR TO ANY STRIPPING OF TOPSOIL OR OTHER EARTHWORK)
  3. CLEAR AND GRUB WORK AREAS. TEMPORARILY SEED AREAS NOT TO BE WORKED ON WITHIN 14 DAYS.
  4. STRIP AND STOCKPILE ON-SITE TOPSOIL. SEED STOCKPILES WITH TEMPORARY SEED MIX.
  5. BEGIN EARTHWORK FOR PARKING AND BUILDING FOUNDATION.
  6. STABILIZE AREAS DRAINING TO UNDERDRAINED SOIL FILTER.
  7. CONSTRUCT UNDERDRAINED SOIL FILTER AND STORM DRAIN SYSTEM.
  8. INSTALL AND PROTECT STORM DRAINAGE SYSTEM.
  9. BEGIN BUILDING CONSTRUCTION.
  10. ROUGH GRADE PARKING AREAS, AND ROADWAY SIDE SLOPES.
  11. FINE GRADE ALL PARKING LOTS AND DRIVEWAY SIDE SLOPES AND ROUGH GRADE REMAINDER OF SITE.
  12. RESEED OR TEMPORARILY SEED ANY AREA WHICH WILL BE LEFT UNDISTURBED FOR MORE THAN 14 DAYS.
  13. COMPLETE FINE GRADING AND PAVING OF SIDEWALKS AND PARKING AREAS.
  14. CLEAN UNDERDRAINED SOIL FILTER AND STORM DRAIN SYSTEM OF CONSTRUCTION SEDIMENTATION.
  15. FINE GRADE, LOAM, SEED AND FERTILIZE REMAINDER OF SITE.
  16. REMOVE TEMPORARY SOIL EROSION MEASURES.

**EROSION CONTROL LEGEND**

- (□) CATCH BASIN PROTECTION WITH SILTSACK OR HAYBALES
- SILT FENCE
- XXXXX EROSION CONTROL MESH
- XXXXX STABILIZED ENTRANCE



**PLANT LIST**

SYMBOL	COMMON NAME/BOTANICAL NAME	SIZE	QUANTITY	ROOT
A	HEDGE MAPLE / acer campestre	2 1/2" cal.	1	B4B
B	FLOWERING CRAB / malus 'snowdrift'	1 1/2" cal.	3	B4B
C	ARMSTRONG RED MAPLE / acer freemanii	1 1/2" cal.	5	B4B
D	RED TWIG DOGWOOD / cornus sericea 'Bailey'	2-3' tall	9	POTTED
E	RHODODENDRON / rhododendron 'English Roseum'	2-3' tall	3	POTTED
G	RELOCATED JAPANESE MAPLE	EXISTING	1	
H	RELOCATED COMMON LILAC	EXISTING	4±	
J	RELOCATED HOSTA AND BULBS: VARIETY OF TYPES AND SPECIES	EXISTING	65±	
OR IF SUFFICIENT QUANTITIES ARE NOT SALVAGED: HOSTA 'Sundance', DAYLILIES IN GROUPINGS OF 'Lemon Lily', 'Stella de Oro' & 'September Gold'				
K	CLIMBING HYDRANGEA / anomala petiolaris	1 gal. pot	18	POTTED

**LANDSCAPE NOTES**

- GENERAL:**
1. SAVE EXISTING TREES AS SHOWN. DO NOT CUT OR CLEAR ANY VEGETATION BEYOND THE IMPACT LIMIT LINE.
  2. ALL PLANT MATERIALS INSTALLED ARE TO MEET THE SPECIFICATIONS OF THE "AMERICAN STANDARDS FOR NURSERY STOCK" BY THE AMERICAN ASSOCIATION OF NURSEYMEN.
  3. ALL PROPOSED PLANT LOCATIONS SHALL BE AS SHOWN ON PLANS. CONTRACTOR SHALL VERIFY LOCATION OF ALL UTILITIES PRIOR TO PLANTING AND WILL NOTIFY OWNER'S REPRESENTATIVE IN THE EVENT OF CONFLICTS.
  4. PLANT LOCATIONS ARE TO BE SCALED FROM THE LANDSCAPE PLAN UNLESS NOTED OTHERWISE.
  5. NO PLANT MATERIAL SHALL BE INSTALLED UNTIL FINAL GRADING AND CONSTRUCTION HAS BEEN COMPLETED IN THE IMMEDIATE AREA.
  6. FINAL QUANTITY FOR EACH PLANT TYPE IS NOTED IN THE PLANT LIST. THIS NUMBER SHALL TAKE PRECEDENCE IN THE CASE OF ANY DISCREPANCY BETWEEN QUANTITIES SHOWN IN THE LIST AND ON THE PLAN.
  7. ANY PROPOSED SUBSTITUTIONS MUST BE APPROVED BY THE OWNER OR THE OWNER'S REPRESENTATIVE.
  8. ALL DISTURBED AREAS TO BE LOAMED AND SEEDED.

3	10/1/13	SUBMITTED FOR FINAL APPROVAL
2	9/3/13	REV'D PER STAFF REVIEW COMMENTS
1	8/21/13	EX. TREE TO REMAIN PER CITY REVIEW
REV.	DATE	DESCRIPTION

**PINKHAM & GREER**  
CONSULTING ENGINEERS  
28 VANNAH AVENUE  
PORTLAND, MAINE

133 YORK, LLC  
110 MARGINAL WAY, SUITE 292  
PORTLAND, MAINE

133 YORK STREET  
YORK STREET, PORTLAND MAINE

**EROSION CONTROL AND LANDSCAPE PLAN**

SCALE: AS SHOWN DRN BY: JDC  
DATE: JULY 24, 2013 DESG BY: TSG  
PROJECT: 13105 CHK BY: TSG

**C1.4**