

1 2 3 4 5 6 7

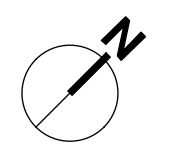
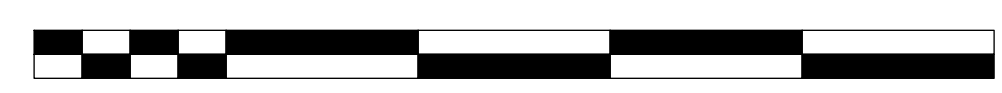
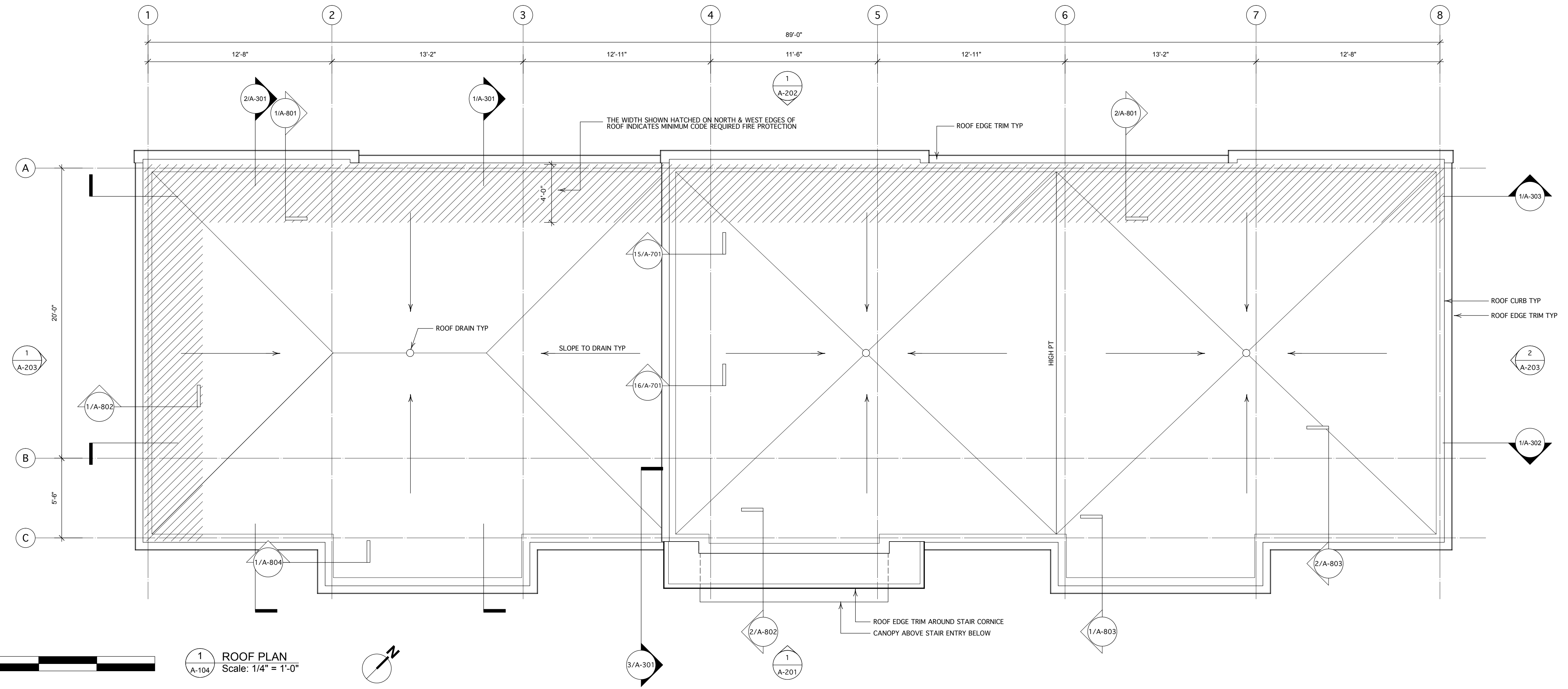
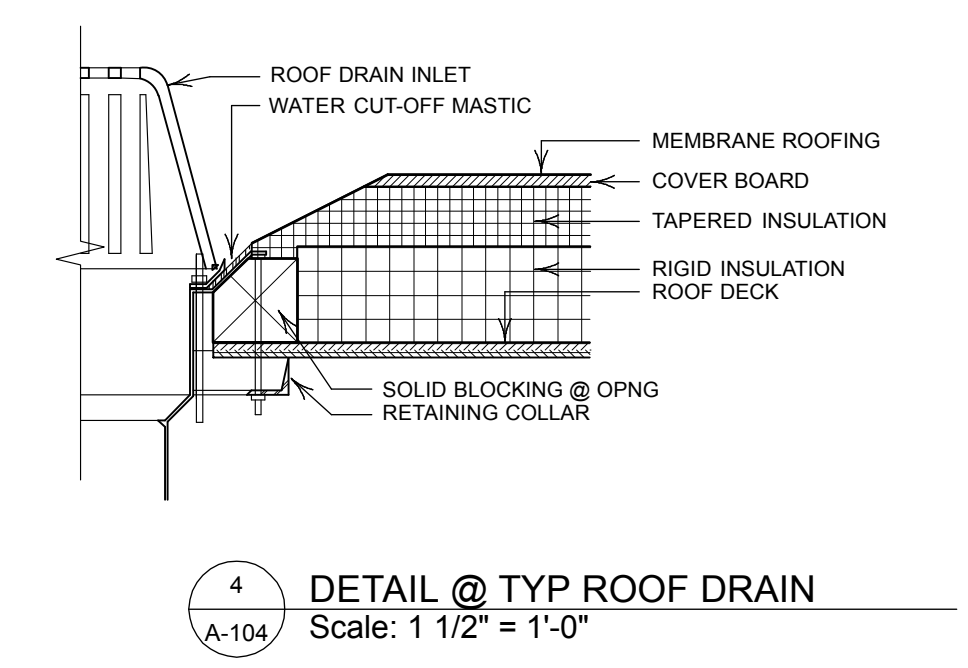
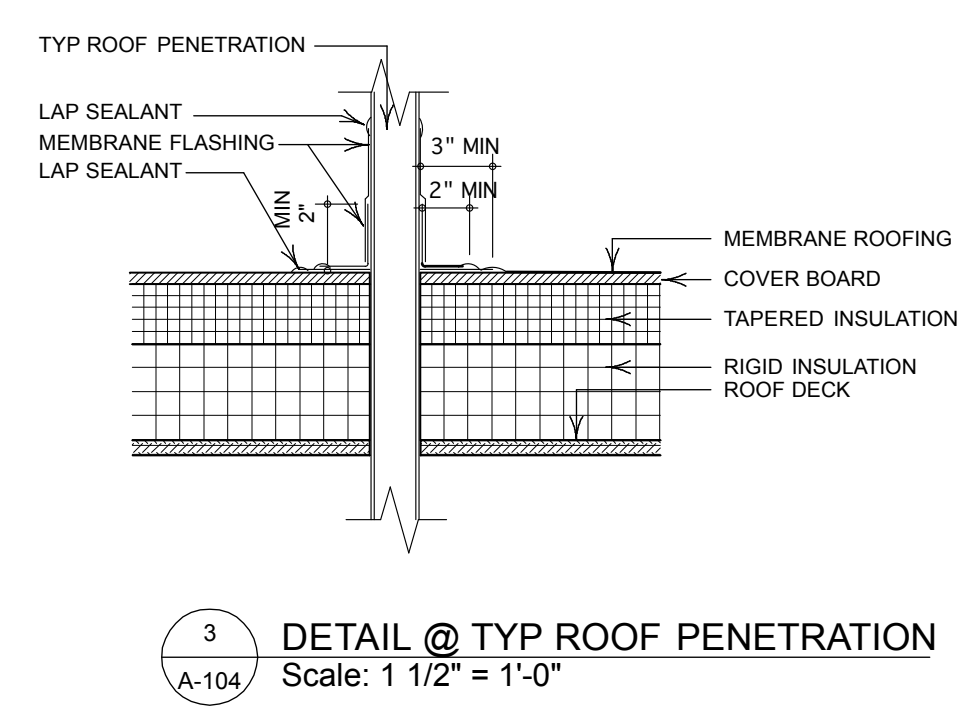
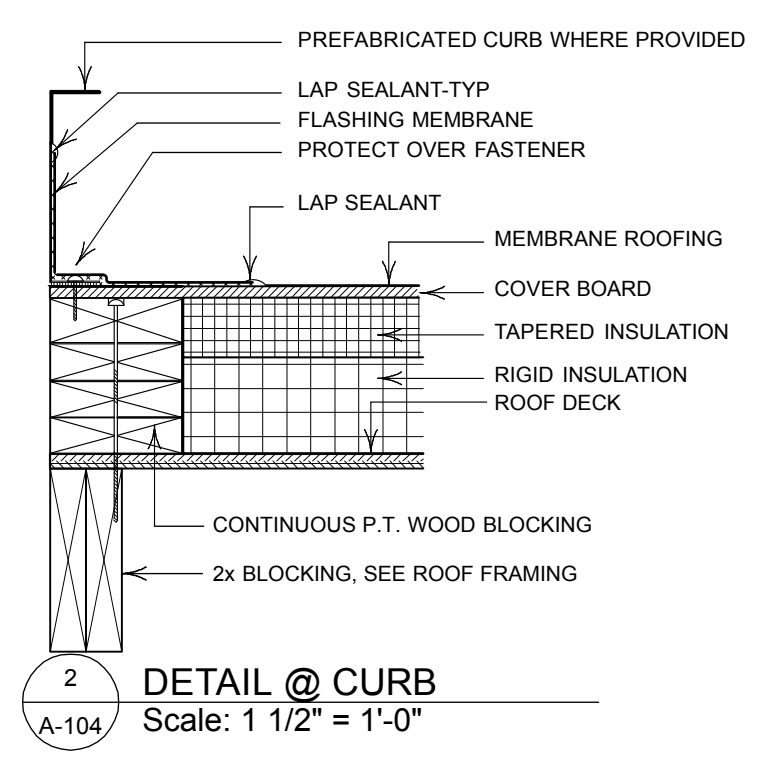
A

B

C

D

E



Project Name	Residential Housing Project 133 York Street Portland, Maine
Design Firm	HKTA/architects 482 Congress Street Suite 502 Portland, Maine 04101
Consultant	Pinkham & Greer Consulting Engineers 28 Vannah Avenue Portland, Maine 04103
Project Title	Roof Plan Roof Details
Scale	Sheet Scale
Drawing No.	A-104
Date	7/26/13
Revision	2013005
Project ID	2013005
Drawing Code	
CDP File Name	133 York_VWX
Plot Date	
Designed By	reh
Drawn By	reh
Checked By	
Reviewed By	
Subscribed By	
Project Manager	reh
Issue Note	
Date	7/22/13
No.	B
Revision Notes	
Zone	A
Appr	

FOR PLANNING BOARD REVIEW

HKTA / architects
482 Congress Street Suite 502
Portland, Maine 04101
phone: 207. 774. 6016
fax: 207. 774. 9128
email: hktain@maine.rr.com

1 2 3 4 5 6 7