



# Transmittal

Swaney Lighting Associates  
15 Pleasant Hill Rd  
Scarborough ME 04074  
Phone: (207) 883-7100  
**From: DAVE CHARRON**

**Project** York Street Townhouse  
**Quote#** SLA14-25194  
**Location**

Contact:

ATTACHED WE ARE SENDING YOU 0 COPIES OF THE FOLLOWING ITEMS:

- |                                   |   |        |
|-----------------------------------|---|--------|
| <input type="checkbox"/> Drawings | <input type="checkbox"/> Specifications | Other: |
| <input type="checkbox"/> Prints   | <input type="checkbox"/> Information    |        |
| <input type="checkbox"/> Plans    | <input type="checkbox"/> Submittals     |        |

THESE ARE TRANSMITTED FOR:

- |  |   |                                 |
|--|---|---------------------------------|
| <input type="checkbox"/> Prior Approval        | <input type="checkbox"/> Resubmittal for Approval | <input type="checkbox"/> Record |
| <input type="checkbox"/> Approval              | <input type="checkbox"/> Corrections              | Bids due on:                    |
| <input type="checkbox"/> Approval as Submitted | <input type="checkbox"/> Your Use                 | Other:                          |
| <input type="checkbox"/> Approval as Noted     | <input type="checkbox"/> Review and Comment       |                                 |

| Type | MFG        | Part               |
|------|------------|--------------------|
|      | HUBBELL    | SCP-18LU-5K-5R-WH  |
|      | KIM        | VRB1/15L5KUV/DB    |
|      | PRESCOLITE | DBXQL-LB6LEDA35KWH |



**Job Name:**  
York Street Townhouse

**Catalog Number:**  
SCP-18LU-5K-5R-WH

**Type:**

Notes:

SLA14-25194

**SEDONA SERIES** NEW  
SURFACE/CEILING/GARAGE

Cat.#

Job

Type



**HUBBELL**  
Outdoor Lighting

Approvals

**SPECIFICATIONS**

**Intended Use:**

Ceiling applications from eight to eighteen feet for surface, box or pendant mount. Applications include parking garage, walkway or building canopies, corridors, tunnels, large stairwells and other interior applications with ambient 40°C. A wide range of lumen packages and optical distributions are available making the SCP Series luminaire both versatile and functional.

**Construction:**

- Vertically finned cast aluminum housing for maximum heat dissipation ensuring long component life and luminaire performance
- Separate hinged optical and electrical compartments for optimum component operation and easy installation, maintenance; Three HubbellGard® screws allow positive seal of the two housings to a silicone gasket
- One piece molded silicone gasket ensures weather proof seal around each individual LED; Stamped bezel provides mechanical compression to seal the optical assembly
- IP-65 luminaire rating
- Vandal resistant polycarbonate shield accessory available

**Optics/Electrical LED:**

Three lighting distributions are standard: Type V square, Type V rectangle and Type IV forward throw. Each LED has individual optical grade PMMA acrylic lens to ensure repeatable photometrics and enhanced performance. The SCP's hexagonal honeycomb LED cluster design provides optical flexibility and light level scalability from a compact luminaire. The design's overlapping redundant patterns of light ensure consistent light level uniformity regardless of the unit being in a dimmed mode or number of LEDs illuminated

- CCT: 4200K or 5100K

- Lumens packages ranging from 3,700 – 8,600 from 18-36 LEDs
- 10KVA surge suppressor is standard to protect the electrical package from transient voltage spikes
- Thermal compensation management
- Wattage: 43 - 86
- Lumens per watt: >92-100
- Designed for 40° C ambient temperatures
- Minimum operating temperature is -30°C/-22°F

**Controls:**

Drivers are 0-10V dimming standard. Occupancy, photocell, and wiHUBB wireless controls available for complete on/off and dimming operation.

**Installation:**

The top housing of Sedona allows mounting directly to the ceiling to standard junction boxes or by ¾" pendant stems, making the fixture adaptable for virtually any application. Each mounting can be accomplished while maintaining a watertight seal. Four ½" conduit hubs allow side access as required. A pattern indicator on the inside of the housing allows the installer to properly orient the fixture without energizing the light engines.

The light engine housing contains hook and hinge pin to the upper housing allowing hands free installation.

**Listings:**

Listed to UL 1598 for use in wet locations, 40° C ambient environments; Meets DesignLights Consortium (DLC) qualifications; IP-65

**Warranty:**

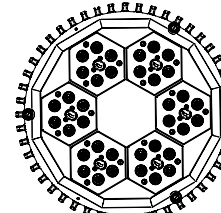
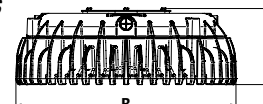
Five year limited warranty (for more information visit: <http://www.hubbelloutdoor.com/resources/warranty/>)

**PRODUCT IMAGE(S)**



Shown with wiHUBB

**DIMENSIONS**



| A           | B          | Weight: |
|-------------|------------|---------|
| 4.85"       | 14.00"     | 16 lbs  |
| (123.19 mm) | (355.6 mm) | 7.27 kg |

**CERTIFICATIONS/LISTINGS**



**ORDERING INFORMATION**

ORDERING EXAMPLE: SCP-36LU-5K-5M-GR-PC1



| SERIES                                      | NUMBER OF LEDS  | VOLTAGE   | CCT  | IES DISTRIBUTION   | FINISH  | OPTIONS   |
|---|---|---|--|--|---|---|
| SCP Sedona surface/ceiling/garage luminaire | <b>18L</b> 18 LEDs, 43w input<br>24L 24 LEDs, 57w input<br>36L 36 LEDs, 86w input | <b>U</b> 120-277V<br>1 120V<br>2 208V<br>3 240V<br>4 277V<br>5 480V<br>F 347V | <b>4K</b> 4200K nominal, 67 CRI<br><b>5K</b> 5100K nominal, 70 CRI | <b>5M</b> Type V Square<br><b>5R</b> Type V Rectangle<br>4 Type IV | <b>DB</b> Bronze<br><b>BL</b> Black<br><b>WH</b> White<br><b>PS</b> Platinum Silver<br><b>GR</b> Gray | <b>PC(X)</b> <sup>1</sup> Button photocontrol, replace X with voltage, specify 1-120V, 2-208V, 3-240V, 4-277V, 6-347V<br><b>WIH</b> <sup>1</sup> In fixture wireless control, consult factory<br><b>F(X)</b> <sup>1</sup> Fusing 1-120V, 2-208V, 3-240V, 4-277V, 6-347V |

**ACCESSORIES - Order separately**

| Catalog Number         | Description  |
|------------------------|--|
| SCP-SPC                | Vandal shield  |
| SCP-BS-XX <sup>2</sup> | Bird shield  |
| SCP-CS                 | Frosted comfort shield, improved uniformity and reduced LED brightness |

**MOTION CONTROL OPTIONS**

- SCO**<sup>1</sup> On/Off control - No light output when no motion detected
- SCP**<sup>1</sup> High/low control - user programmable settings; Factory default is 50%

See page 3 for Accessories. \*XX = Color Options: DB, BL, WH, PS and GR

<sup>1</sup>Consult factory when combining control options



**HUBBELL**  
Outdoor Lighting

Hubbell Outdoor Lighting • 701 Millennium Boulevard • Greenville, SC 29607 • Phone: 864-678-1000

Due to our continued efforts to improve our products, product specifications are subject to change without notice.

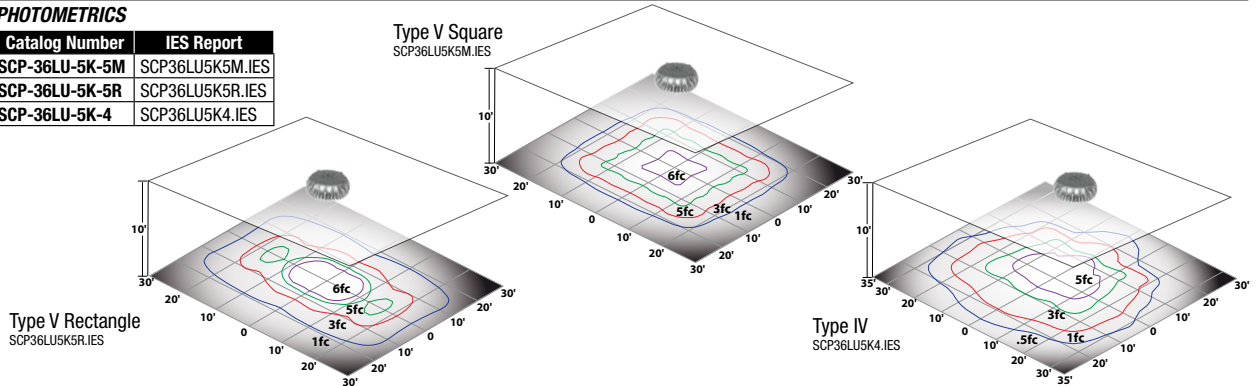
© 2013 HUBBELL OUTDOOR LIGHTING, All Rights Reserved • For more information visit our website: [www.hubbelloutdoor.com](http://www.hubbelloutdoor.com) • Printed in USA

SEDONA-SPEC 9/13



**PHOTOMETRICS**

| Catalog Number | IES Report      |
|----------------|-----------------|
| SCP-36LU-5K-5M | SCP36LU5K5M.IES |
| SCP-36LU-5K-5R | SCP36LU5K5R.IES |
| SCP-36LU-5K-4  | SCP36LU5K4.IES  |



**PERFORMANCE DATA**

| # LED'S | DRIVE CURRENT (MILLIAMPS) | SYSTEM WATTS | DISTRIBUTION TYPE | 5K (5100K nominal, 67 CRI) |                  |   |   |      | 4K (4200K nominal, 70 CRI) |                  |   |   |   |
|---------|---------------------------|--------------|-------------------|----------------------------|------------------|---|---|------|----------------------------|------------------|---|---|---|
|         |                           |              |                   | LUMENS                     | LPW <sup>1</sup> | B | U | G    | LUMENS                     | LPW <sup>1</sup> | B | U | G |
| 18      | STD. (700 MA)             | 43W          | 4                 | 4001                       | 93               | 1 | 0 | 2    | 3834                       | 89               | 1 | 0 | 1 |
|         |                           |              | 5M                | 4102                       | 95               |   |   |      | 3835                       | 89               |   |   |   |
|         |                           |              | 5R                | 4298                       | 100              |   |   |      | 4020                       | 93               |   |   |   |
| 24      |                           | 57W          | 4                 | 5360                       | 94               | 1 | 0 | 2    | 4986                       | 87               | 1 | 0 | 2 |
|         |                           |              | 5M                | 5485                       | 96               | 2 | 0 | 1    | 5012                       | 88               | 2 | 0 | 1 |
|         |                           |              | 5R                | 5800                       | 102              | 3 | 0 | 3    | 5375                       | 94               |   |   |   |
| 36      | 86W                       | 4            | 7966              | 93                         | 1                | 0 | 2 | 7522 | 87                         | 1                | 0 | 2 |   |
|         |                           | 5M           | 8203              | 95                         | 3                | 0 | 1 | 7439 | 87                         | 3                | 0 | 1 |   |
|         |                           | 5R           | 8604              | 100                        | 3                | 0 | 3 | 8030 | 93                         |                  |   |   |   |

<sup>1</sup> Lumen values are from photometric tests performed in accordance with IESNA LM-79-08. Data is considered to be representative of the configurations shown. Actual performance may differ as a result of end-user environment and application.

**PROJECTED LUMEN MAINTENANCE**

| AMBIENT TEMP. | TM-21-11 |        |        |        |         | Calculated L70 (HOURS) |
|---------------|----------|--------|--------|--------|---------|------------------------|
|               | 0        | 25,000 | 50,000 | 60,000 | 100,000 |                        |
| 10°C / 50°F   | 1.01     | 1.00   | 0.99   | 0.99   | 0.97    | >1,085,000             |
| 25°C / 77°F   | 1.00     | 0.99   | 0.98   | 0.98   | 0.96    | >1,085,000             |
| 40°C / 104°F  | 0.99     | 0.98   | 0.96   | 0.96   | 0.94    | >706,000               |

<sup>1</sup> Projected per IESNA TM-21-11  
Data references the extrapolated performance projections for the SCP-36LU-5K base model in a 40°C ambient, based on 10,000 hours of LED testing per IESNA LM-80-08.

**ELECTRICAL DATA**

| # OF LEDS | NUMBER OF DRIVERS | DRIVE CURRENT (mA) | INPUT VOLTAGE (V) | SYSTEM POWER (w) | CURRENT (Amps) |
|-----------|-------------------|--------------------|-------------------|------------------|----------------|
| 18        | 1                 | STD. (700mA)       | 120               | 43               | 0.36           |
|           |                   |                    | 277               | 45               | 0.20           |
|           |                   |                    | 347               | 43               | 0.13           |
|           |                   |                    | 480               | 43               | 0.11           |
|           |                   |                    | 120               | 57               | 0.48           |
| 24        | 2                 |                    | 277               | 59               | 0.24           |
|           |                   |                    | 347               | 56               | 0.17           |
|           |                   |                    | 480               | 57               | 0.13           |
|           |                   |                    | 120               | 86               | 0.73           |
| 36        | 3                 |                    | 277               | 89               | 0.35           |
|           |                   |                    | 347               | 84               | 0.25           |
|           |                   |                    | 480               | 85               | 0.20           |

**LUMINAIRE AMBIENT TEMPERATURE FACTOR (LATF)**

| AMBIENT TEMPERATURE | LUMEN MULTIPLIER |
|---------------------|------------------|
| 0° C                | 1.02             |
| 10° C               | 1.01             |
| 20° C               | 1.00             |
| 25° C               | 1.00             |
| 30° C               | 1.00             |
| 40° C               | 0.99             |
| 50° C               | 0.98             |

Use these factors to determine relative lumen output for average ambient temperatures from 0-50°C (32-122°F).

**Job Name:**  
York Street Townhouse**Catalog Number:**  
VRB1/15L5KUV/DB**Type:**

Notes:

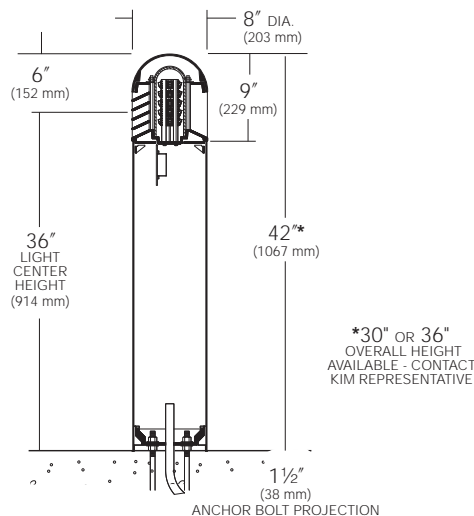
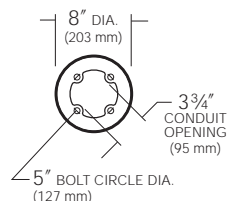
SLA14-25194

**KIM LIGHTING****VRB1 LED Round Bollard**  
Single Function, Vandal-Resistant, Aluminum Shaft

revision 6/29/11 • kl\_vrb1led\_spec.pdf

**Type:**  
**Job:**  
**Catalog number:****Approvals:**

|             |                   |  |        |
|-------------|-------------------|--|--------|
| <b>VRB1</b> | /                 | /  | /      |
| Fixture     | Electrical Module | Luminaire Finish<br>(includes top cap and shaft) | Option |
| See page 2  |                   |  |        |

**Date:**  
**Page: 1 of 2****Specifications****VRB-LED Models**  
10 - 20 Diodes**VRB1- Single Function Luminaire (Aluminum Shaft)**  
Maximum weight: 30 lb**BASE PLAN VRB ALUMINUM SHAFT****Domed Top Cap:** One-piece die-cast aluminum secured to louvers by concealed allen screws in keyhole slots. For relamping access, allen screws shall not require complete removal.**Louvers:** Aluminum die-cast with vertical support ribs at 90° intervals. Horizontal louver blades shall have a 1 3/4" depth, a 65° upward pitch and provide light source cutoff above horizontal. Louver assembly shall be secured to shaft by four internal tie rods.**Lamp Enclosure:** One-piece tempered molded glass with internal flutes and full gasketing at bottom edge.**Fixture Head:** Allows flow-through ventilation around and above the lamp enclosure.**Shaft:** One-piece extruded aluminum, .125" wall thickness with a heavy cast aluminum twist-lock anchor base concealed within the shaft. Concealed set screws shall lock shaft onto the cast anchor base.**Electronic Module:** All electrical components are either UL or ETL recognized, mounted on a single plate and factory prewired with quick disconnect plugs. Driver is rated for -40°F starting and has a 0-10V dimming interface for multi-level illumination options.**Optical Module:** Each LED equipped with a directional optic for maximum beam angle projecting through louver stack spacings. LED boards to be mounted to an anodized interlocking heat sink extrusion. (Type I) two 5-LED boards for a total of 10-LED. (Type III) three 5-LED boards for a total of 15-LED. (Type V) four 5-LED boards for a total of 20-LED. Available in 3500K and 5100K color temperatures.**Anchor Bolts:** Four 3/8" x 10" + 2" zinc plated L-hooks, each with two nuts, washers and a rigid pressed board template.**Finish:** TGIC thermoset polyester powder coat paint, 2.5 mil nominal thickness, applied over a titanated zirconium conversion coating; 2500 hour salt spray test endurance rating. Standard colors are Black, Dark Bronze, Light Gray, Stealth Gray™, Platinum Silver, or White. Custom colors are available.**CAUTION:** Fixtures must be grounded in accordance with national, state and/or local codes. Failure to do so may result in serious personal injury.**Listings and Ratings**

|   |                                  |             |
|---|----------------------------------|-------------|
| UL, or ETL to UL Standards 1598 & 8750 <sup>1</sup> |                                  | 25C Ambient |
| IP46 Rated  | FS = Fully Shielded <sup>2</sup> | -           |

<sup>1</sup>Suitable for wet locations.<sup>2</sup>Dark Sky Legislation Compliant

KIM LIGHTING RESERVES THE RIGHT TO CHANGE SPECIFICATIONS WITHOUT NOTICE



**Job Name:**  
York Street Townhouse**Catalog Number:**  
VRB1/15L5KUV/DB

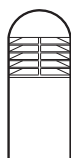
Notes:

**Type:**

SLA14-25194

**KIM LIGHTING****VRB1 LED Round Bollard**  
Single Function, Vandal-Resistant, Aluminum Shaft

revision 6/29/11 • k1\_vrb1led\_spec.pdf

**Type:****Job:****Page: 2 of 2****Standard and Optional Features****Fixture**Cat. No. **VRB1** Single Function, Aluminum Shaft, Domed Top**Electrical Module**

LED = Light Emitting Diode

Cat. Nos. for LED Electrical Modules available:

- |  |  |   |
|--|--|---|
| xL   | xK   | x   |
| <b>Source:</b>   | <b>Color Temperature:</b>                  | <b>Voltage:</b>                                       |
| <input type="checkbox"/> 10L = 10 LED<br>(IES Type I)          | <input type="checkbox"/> 3K = 3500K        | <input type="checkbox"/> <b>UV</b>                    |
| <input type="checkbox"/> <b>15L = 15 LED</b><br>(IES Type III) | <input type="checkbox"/> <b>5K = 5100K</b> | Universal<br>Voltage shall<br>range from<br>120V-277V |
| <input type="checkbox"/> 20L = 20 LED<br>(IES Type V)          |  |   |

| FIXTURE       | TOTAL SYSTEM WATTS | VOLT                  | OPERATING AMPS        |
|---------------|--------------------|-----------------------|-----------------------|
| VRB1 - 10 LED | 12                 | 120 / 208 / 240 / 277 | .10 / .05 / .05 / .04 |
| VRB1 - 15 LED | 18                 | 120 / 208 / 240 / 277 | .15 / .09 / .08 / .07 |
| VRB1 - 20 LED | 24                 | 120 / 208 / 240 / 277 | .20 / .12 / .10 / .09 |

**Finish**

TGIC thermoset polyester powder coat paint applied over a titanated zirconium conversion coating on fixture and shaft.

Color: Black Dark Bronze Light Gray Stealth Gray™ Platinum Silver White Custom Color<sup>1</sup>  
Cat. No.:  **BL**  **DB**  **LG**  **SG**  **PS**  **WH**  **CC****NOTE:** Black and Dark Bronze colors will produce slightly less louver brightness than Light Gray or White.<sup>1</sup>Custom colors subject to additional charges, minimum quantities and extended lead times. Consult representative. Custom color description: \_\_\_\_\_

**Job Name:**  
York Street Townhouse**Catalog Number:**  
DBXQL-LB6LEDA35KWH**Type:**

Notes:

SLA14-25194

**New Construction****DBXQL****QuickLink LED Downlight**  
**AirShield™**  
**IC/Non-IC Rated**  
**120V****APPLICATIONS:**

The DBXQL QuickLink LED housing is specifically designed for use with 6" LiteBox LED trims in applications where relamping is limited to high efficacy requirements such as California Title 24. Suitable for new construction, whether or not insulation is present, including residential applications in a single story home or on the second level of a two story home; or commercial applications in spaces such as offices, single story retail, and hospitality environments. The DBXQL complies with requirements for AirShield™ applications.

**AIR TIGHT REQUIREMENTS:**

The DBXQL is AirShield™ rated in compliance with ASTM E283 and the Washington State Energy Code (W.S.E.C.).

**HOUSING:**

Galvanized steel housing with full wrap-around plaster frame. Housing adjusts from 1/2" to 2 1/2" thick ceilings. Notched mounting frame for easy alignment. Housing includes knock out free integral Romex clamps, overspray protection, universal J-box with snap-out sides, universal J-box with snap-out sides, 1/2" and 3/4" knock outs for rigid or BX fittings and a grounding pigtail. Removable K.O. for remodel use (plaster flange clips required). Rated for 8 #12 90° conductors (4 in/4 out). Removable housing for field inspection of wiring. Pre-installed wire quick connects for supply connections standard.

**HOUSING INSTALLATION:**

Patented Pro-Nail™ bar hangers with integral real nail compatible with common joist systems and materials. Joist alignment tab for rapid and consistent positioning and convenient nail removal features for easy re-positioning. Integral snap-on T-bar grip-lock feature and rigid 24" telescoping bar hanger design 150% stronger than conventional designs. Auxiliary mounting points for additional fasteners or wire suspension to structure. Bar hangers are captive with positive extension stop and locking feature to fix position, and can be reoriented 90° to housing.

**LED MODULE INSTALLATION:**

QuickLink LED housing easily connects to mating QuickLink connector on the LiteBox LB6LED module without a screw base adapter preventing the use of low efficacy incandescent sources.

**LABELS:**

IC and Non-IC rated. UL/cUL listed for wet location and through wiring with LiteBox LED module. AirShield™ rated. WSEC compliant. Facilitates California Title 24 compliance with the LB6LED series LED downlight.



DBXQL must be used with LB6LED series trims. Refer to LB-LED-003 for details.

DATE: \_\_\_\_\_ TYPE: \_\_\_\_\_

FIRM NAME: \_\_\_\_\_

PROJECT: \_\_\_\_\_

**LiteBox** 6"

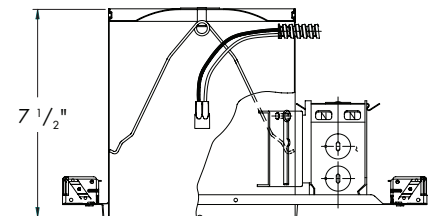
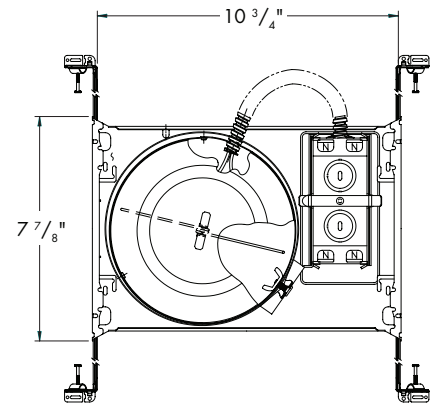
Aperture: Nominal 6"

Ceiling Cutout: 6 7/8"

Maximum Ceiling Thickness: 2 1/2"

For conversion to millimeters,  
multiply inches by 25.4

Not to Scale

**FEATURING**

CATALOG NUMBER:

EXAMPLE: DBXQL-LB6LEDA30K WH

HOUSING

HOUSING

TRIM

 **DBX**  
6" IC/Non-IC  
LED Airtight  
Downlight with  
nail bar hanger  
and supply  
wire quick  
connects **QL**  
QuickLink LED  
for use with  
LiteBox LB6LED  
series module **LB6LEDA30K WH**  
LED module, dimming  
to 1.5%, 3000K, 80+  
CRI. See trim spec  
sheet LB-LED-003 for  
details.

In a continuing effort to offer the best product possible we reserve the right to change, without notice, specifications or materials that in our opinion will not alter the function of the product.

Web: [www.prescolite.com](http://www.prescolite.com) • Tech Support: (888) 777-8832

701 Millennium Boulevard • Greenville, SC 29607 U.S.A. • Phone (864) 678-1000

Copyright ©2012 Prescolite, Inc., a division of Hubbell Lighting, Inc. All Rights Reserved

Specifications subject to change without notice. • Printed in U.S.A. • LB-LED-002 • 2/14/12

**prescolite**

A Division of Hubbell Lighting, Inc.

**LB-LED-002**



**Job Name:**  
York Street Townhouse**Catalog Number:**  
DBXQL-LB6LEDA35KWH**Type:**

Notes:

SLA14-25194

**New and Existing Construction****LB6LEDA**LED Downlight Module  
14W High Efficacy  
Wet Location  
120V**LiteBox** 6"Aperture: Nominal 6"  
See Housing Specification  
Sheet for ceiling cutout  
requirements  
Not to Scale**APPLICATIONS:**

LiteBox LED modules are designed for use in new construction as well as retrofit applications with existing Prescolite or competitive 6" housings using the screw base adapter included. Lumen output and distribution comparable to a 65W BR30 while consuming only 14 watts. ENERGY STAR® qualified. Can be used to comply with California Title 24 IECC watts per square foot requirements. Suitable for use with continuous room side ambient temperature up to 25°C. Flicker-free dimming to 15% with most standard dimmers. (See Dimming Notes).

**LIGHT ENGINE:**

High efficacy LED light engine, 3000K, 80+ CRI, integrated with durable aluminum heat sink for excellent thermal management. System designed for optimal life and lumen maintenance (60,000 hours at 70% lumen maintenance per TM-21).

**LENS/REFLECTOR:**

All LiteBox LED modules are provided standard with a diffuse optical grade acrylic lens for uniform illumination and superior glare control. Reflector powder coat finish creates aesthetic ceiling appearance and visually comfortable 55° cutoff.

**LED DRIVER:**

Integral high efficiency LED driver 120V, >0.9 power factor, dimmable to 15% with standard incandescent or electronic low voltage dimmers. (See Dimming Notes for recommended dimmers.) Output over-voltage, over-current, and short circuit protection. Life expectancy of 60,000 hours minimum at recommended ambient temperatures.

**INSTALLATION:**

For New Construction: Use with Prescolite DBX QuickLink LED housings. QuickLink connector mates directly to housing connector without a screw base adapter for California Title 24 compliance.

For Retrofit: Use in Prescolite or other compatible 6" recessed housings using supplied screw base adapter.

Easy installation with (3) stainless steel spring clips (pre-installed).

**CERTIFICATIONS:**

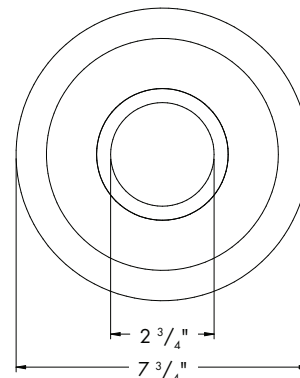
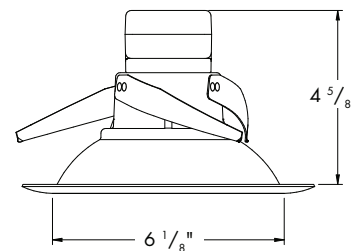
UL/cUL Classified for use in Prescolite or other 6" recessed housings including Halo, Juno, and Lithonia. (See page 3 for more details) Suitable for wet locations. ENERGY STAR qualified. Meets California Title 24 with DBXQL

**WARRANTY:**

3 year warranty (IC)  
5 year warranty (Non-IC)

Additional information on pg 3.

See [www.prescolite.com](http://www.prescolite.com) for details.



CATALOG NUMBER:

EXAMPLE: LB6LEDA30K WH

| TRIM   | LED COLOR  | CRI  | TRIM COLOR  | ACCESSORIES   |
|--|--|--|---|---|
| <input type="checkbox"/> <b>LB6LEDA</b><br>6" Litebox LED<br>Module with<br>dimming to<br>15% 120V | <input type="checkbox"/> <b>30K</b><br>3000 Kelvin<br><input type="checkbox"/> <b>35K</b><br>3500 Kelvin | <input type="checkbox"/> <b>Blank</b><br>80+ CRI | <input type="checkbox"/> <b>WH</b><br>White<br><input type="checkbox"/> <b>BL</b><br>Black<br><input type="checkbox"/> <b>Z</b><br>Zet<br><input type="checkbox"/> <b>BA</b><br>Brushed<br>Aluminum<br><input type="checkbox"/> <b>BZ</b><br>Bronze | <input type="checkbox"/> <b>LG1S</b><br>Dual-Lite 100 VA Surface Mount LiteGear Emergency<br>Lighting Inverter<br><input type="checkbox"/> <b>LG1R</b><br>Dual-Lite 100 VA Recessed Mount LiteGear Emergency<br>Lighting Inverter<br><input type="checkbox"/> <b>LG1T</b><br>Dual-Lite 100 VA Recessed Ceiling T-Grid Mount LiteGear<br>Emergency Lighting Inverter<br><input type="checkbox"/> <b>LG2S</b><br>Dual-Lite 250 VA Surface Mount LiteGear Emergency<br>Lighting Inverter<br><input type="checkbox"/> <b>DBXQL</b><br>IC/Non-IC Airtight housing with supply wire quick connects<br><input type="checkbox"/> <b>LBC6</b><br>6" LED cylinder with supply wire quick connects |

prescolite

ABOVE AND BEYOND

A Division of Hubbell Lighting, Inc.

In a continuing effort to offer the best product possible we reserve the right to change, without notice, specifications or materials that in our opinion will not alter the function of the product.

Web: [www.prescolite.com](http://www.prescolite.com) • Tech Support: (888) 777-4832

LB-LED-003

**Job Name:**  
York Street Townhouse**Catalog Number:**  
DBXQL-LB6LEDA35KWH**Type:**

Notes:

SLA14-25194

# PHOTOMETRIC DATA

## Litebox LED - 6" LED Downlight Module

**ELECTRICAL DATA LB6LEDA**

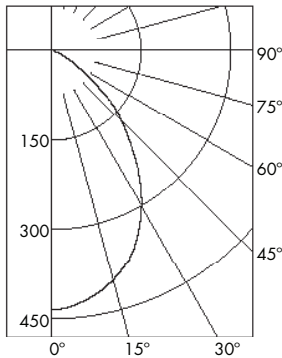
|   |                  |
|---|------------------|
| Input Voltage                                       | 120V             |
| Input Frequency                                     | 43-63 Hz         |
| Input Current                                       | 0.12A            |
| Input Power   | 13.5             |
| W   |                  |
| Constant Current Output                             | 700mA            |
| Power Factor  | >0.90            |
| THD   | <20%             |
| EMI Filtering                                       | FCC 47CFR        |
|   | Part 15, Class B |
| Operating Temperature                               | -30°C to 60°C    |
| Dimming   | Yes*             |
| Over-voltage, over-current, short-circuit protected |                  |

**PERFORMANCE DATACHART**

| Single Unit, Initial Footcandles, 30" Work Plane |     |          |     |          |     |          | Ceiling to Floor Height (ft) | Multiple Units, Initial Footcandles, 30" Work Plane |       |       |    |
|--|-----|----------|-----|----------|-----|----------|------------------------------|---|-------|-------|----|
| Nadir  | 10° |          | 20° |          | 30° |          |                              | Spacing is Maximum Over Work Plane, SMH = 1.1       |       |       |    |
| FC   | FC  | Dia (ft) | FC  | Dia (ft) | FC  | Dia (ft) | Fixture Spacing (ft)         | RCR 2   | RCR 5 | RCR 7 |    |
| 35   | 33  | 1        | 25  | 3        | 16  | 4        | <b>6</b>                     | 4.0   | 46    | 34    | 29 |
| 14   | 13  | 2        | 10  | 4        | 6   | 6        | <b>8</b>                     | 6.0   | 19    | 14    | 12 |
| 7  | 6   | 3        | 5   | 6        | 3   | 9        | <b>10.5</b>                  | 9.0   | 9     | 7     | 6  |
| 5  | 4   | 3        | 3   | 7        | 2   | 11       | <b>12</b>                    | 10.0  | 6     | 5     | 4  |

**LB6LEDA30K WH**

LED Light Engine: 3000K 84 CRI  
System Wattage: 13.5  
Fixture delivered lumens: 691  
Fixture Efficacy: 51.1  
Spacing Criteria: 1.1



Test No. 2949

Tested at 25°C Ambient in accordance to IESNA LM-79-2008

Tested in DBX housing

**ZONAL LUMEN SUMMARY**

| ZONE | LUMENS | %LUMINAIRE |
|------|--------|------------|
| 0-30 | 309    | 44.6%      |
| 0-40 | 467    | 67.5%      |
| 0-60 | 659    | 95.3%      |
| 0-90 | 691    | 100.0%     |

**COEFFICIENTS OF UTILIZATION**

| Room Cavity Ratio |     | % Effective Ceiling Cavity Reflectance |     |     |     |     |     |     |    |    |    |
|-------------------|-----|--|-----|-----|-----|-----|-----|-----|----|----|----|
|                   |     | 80%                                    |     | 70% |     | 50% |     | 30% |    |    |    |
| Room Cavity Ratio |     | 20% Effective Floor Cavity Reflectance |     |     |     |     |     |     |    |    |    |
|                   |     | % Wall Reflectance                     |     |     |     |     |     |     |    |    |    |
|                   |     | 70                                     | 50  | 30  | 10  | 70  | 10  | 50  | 10 | 50 | 10 |
| <b>1</b>          | 112 | 108                                    | 105 | 102 | 109 | 101 | 102 | 98  | 98 | 95 |    |
| <b>3</b>          | 97  | 89                                     | 83  | 78  | 95  | 77  | 85  | 76  | 82 | 74 |    |
| <b>5</b>          | 84  | 74                                     | 67  | 61  | 83  | 61  | 71  | 60  | 69 | 60 |    |
| <b>7</b>          | 74  | 62                                     | 55  | 50  | 72  | 50  | 60  | 49  | 59 | 49 |    |
| <b>9</b>          | 65  | 53                                     | 46  | 41  | 64  | 41  | 52  | 41  | 51 | 41 |    |

LB6LEDA30K WH

Test No. 2949

**Central Inverters**

For fixture full light output in back-up mode, Prescolite and Dual-lite have jointly tested the LB6LEDA with the 100 (LG1) and 250 (LG2) VA LiteGear inverters. For more information on LiteGear go to [http://www.dual-lite.com/resources/litegear\\_luminaire\\_loading\\_chart/](http://www.dual-lite.com/resources/litegear_luminaire_loading_chart/).

**NOTES**Refer to [www.prescolite.com](http://www.prescolite.com) for additional photometric tests (IES Files).

prescolite

Web: [www.prescolite.com](http://www.prescolite.com) • Tech Support: (888) 777-4832  
701 Millennium Boulevard • Greenville, SC 29607 U.S.A. • Phone (864) 678-1000  
Copyright ©2012 Prescolite, Inc., a division of Hubbell Lighting, Inc. All Rights Reserved  
Specifications subject to change without notice. • Printed in U.S.A. • LB-LED-001 • 11/12/12



Hubbell Lighting, Inc.



**Job Name:**  
York Street Townhouse**Catalog Number:**  
DBXQL-LB6LEDA35KWH

Notes:

**Type:**

SLA14-25194

# PHOTOMETRIC DATA

## Litebox LED - 6" LED Downlight Module

**DIMMING NOTES:**

LiteBox LED integral driver is compatible with existing 2-wire dimming circuits and is designed to operate with most standard dimmers including incandescent 120V line voltage (forward phase-leading edge) dimmers as well as 120V electronic low voltage (ELV) (reverse phase-trailing edge) dimmers. Dimming capabilities will vary depending upon the dimmer control used.

A 120V Electronic Low Voltage (ELV) dimmer can typically operate a single LED unit and are recommended for use with LB6LEDA Series.

Recommended Electronic Low Voltage Dimmers:

Lutron Nova T Series (Part number NTELV-600)  
Lutron Faedra (Part Number FAELV-T00-XX)  
Leviton Acenti (Part Number ACE06-XXX)  
Leviton Vizia (Part Number VZE04)

Most incandescent line voltage dimmers have minimum load requirements of approximately 40W and may require multiple LED modules per control. (See dimmer control manufacturer's instructions for specific requirements.)

Recommended Incandescent Line Voltage Dimmers:

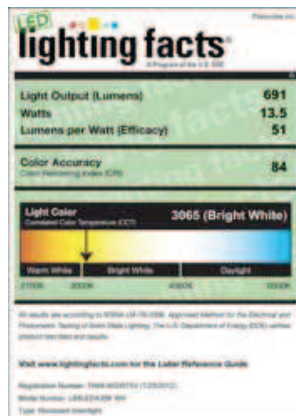
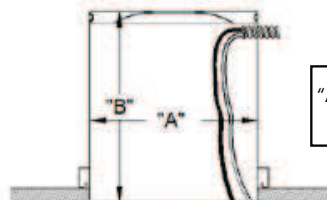
Leviton, Illumitech Series (Part Numbers IPI06-XXX)  
Leviton, Trimatron Series (Part Numbers 6602-X, 6681-X, 6683-X, 6684-X, 700-X and 705-X)  
Leviton, SureSlide Series (Part Numbers 6631)  
Leviton, True Touch Series (Part Number 66061LM)  
Lutron Skylark Series (Part Number S-600, S2-LH)  
Lutron, Maestro Sereis (Part Numbers MAW-600)  
Cooper, Aspire Series (Part Numbers 9530XXX)

Digital dimmers are not compatible with LiteBox LED modules.

**COMPATIBILITY OF 6" RECESSED HOUSINGS:**

LiteBox LED modules are UL/cUL classified for use with Prescolite and most competitive recessed cans (with "A" and "B" dimensions) including:

|                     |           |
|---------------------|-----------|
| <b>Prescolite</b>   | Lithonia  |
| Capri               | Lumapro   |
| Commercial Electric | Luminaire |
| Elco                | Nora      |
| Emerald             | Progress  |
| Halo                | Sea Gull  |
| Intense             | WAC       |
| Jimway              |           |
| Juno                |           |

**NOTES**

1. Operation in ambient temperatures higher than those specified will shorten life and void warranty.
2. Warranty is limited to repair and replacement of defective parts of the LED system and does not include labor or installation. 5 year warranty requires product registration. See [www.prescolite.com](http://www.prescolite.com) for details.

prescolite

Web: [www.prescolite.com](http://www.prescolite.com) • Tech Support: (888) 777-4832  
701 Millennium Boulevard • Greenville, SC 29607 U.S.A. • Phone (864) 678-1000  
Copyright ©2012 Prescolite, Inc., a division of Hubbell Lighting, Inc. All Rights Reserved  
Specifications subject to change without notice. • Printed in U.S.A. • LB-LED-001 • 11/12/12



Hubbell Lighting, Inc.