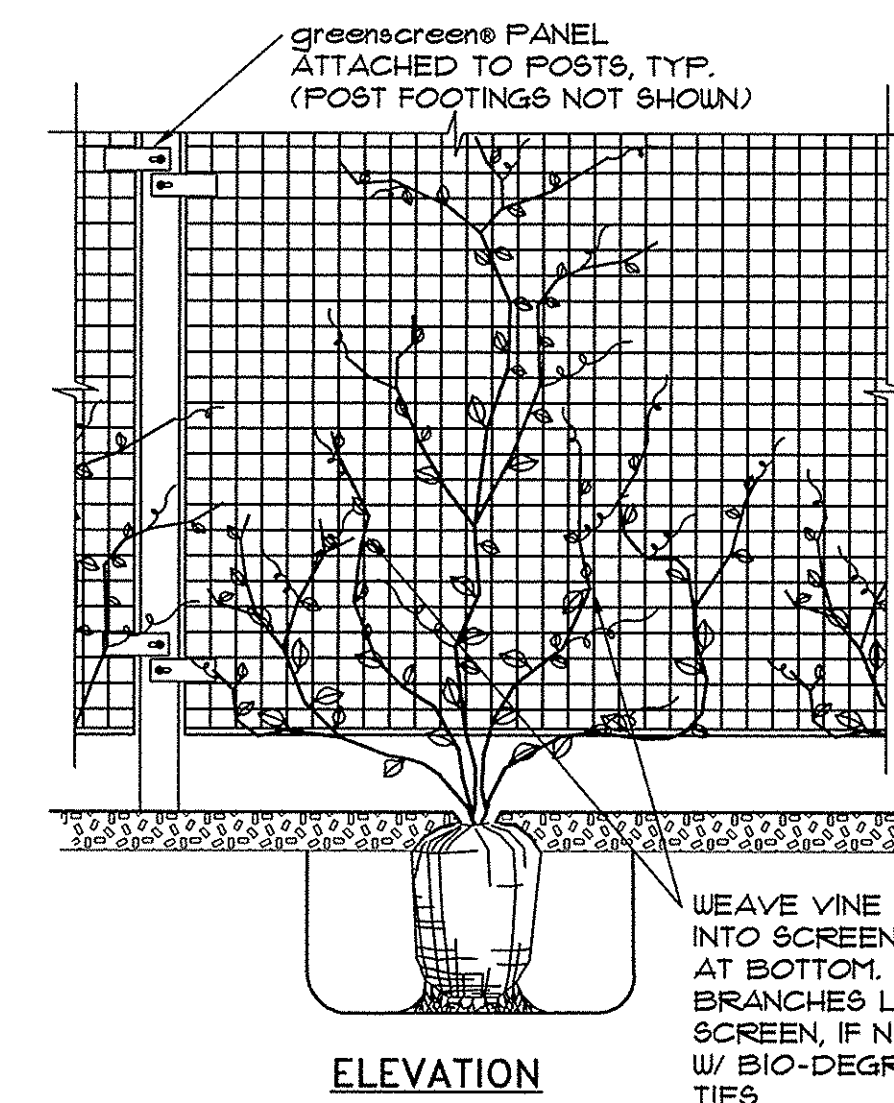


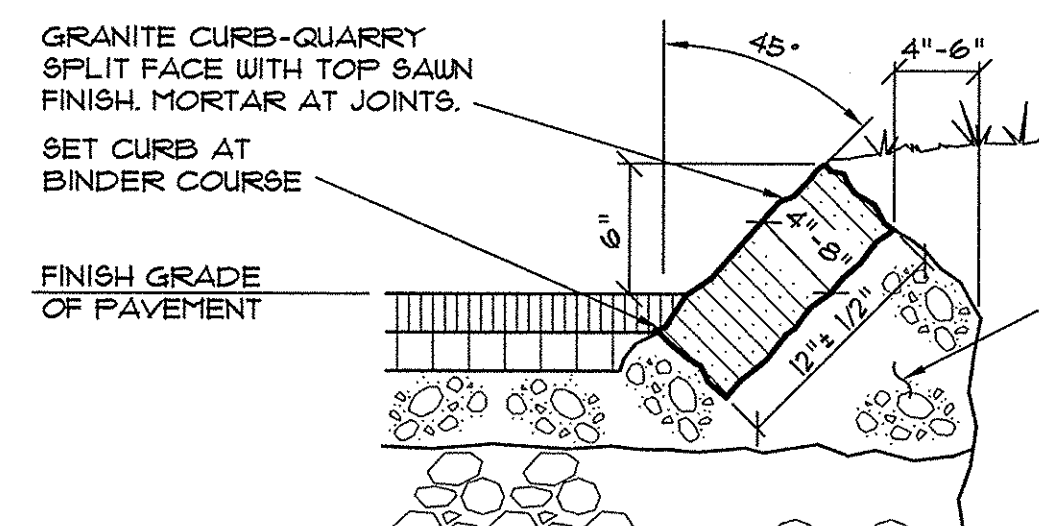
9 FREESTANDING SCREEN DETAILS

greenscreen® NOTES

1. VERIFY PANEL SPAN AND CLIP SPACING FOR ALL INSTALLATIONS WITH MANUFACTURER.
2. CHOOSING THE APPROPRIATE PLANT MATERIAL FOR greenscreen® REQUIRES CAREFUL CONSIDERATION OF CLIMATE ZONE, SUN AND WIND EXPOSURE, SOIL TYPE, WATER AND NUTRIENT NEEDS, AND DESIRED VISUAL EFFECT.
3. greenscreen® RECOMMENDS THAT A LANDSCAPE ARCHITECT, LANDSCAPE DESIGNER, OR A HORTICULTURIST BE CONSULTED FOR EACH SPECIFIC APPLICATION.
4. PLANT VINES PER LANDSCAPE PLANS. TYPICAL SPACING VARIES FROM 1' TO 4' O.C. DEPENDING UPON VINE SPECIES AND CONTAINER SIZE.
5. IRRIGATION WILL BE REQUIRED IN MOST CLIMATE ZONES. INSTALL PER LANDSCAPE PLANS.
6. greenscreen® DOES NOT SUPPLY PLANT MATERIAL.

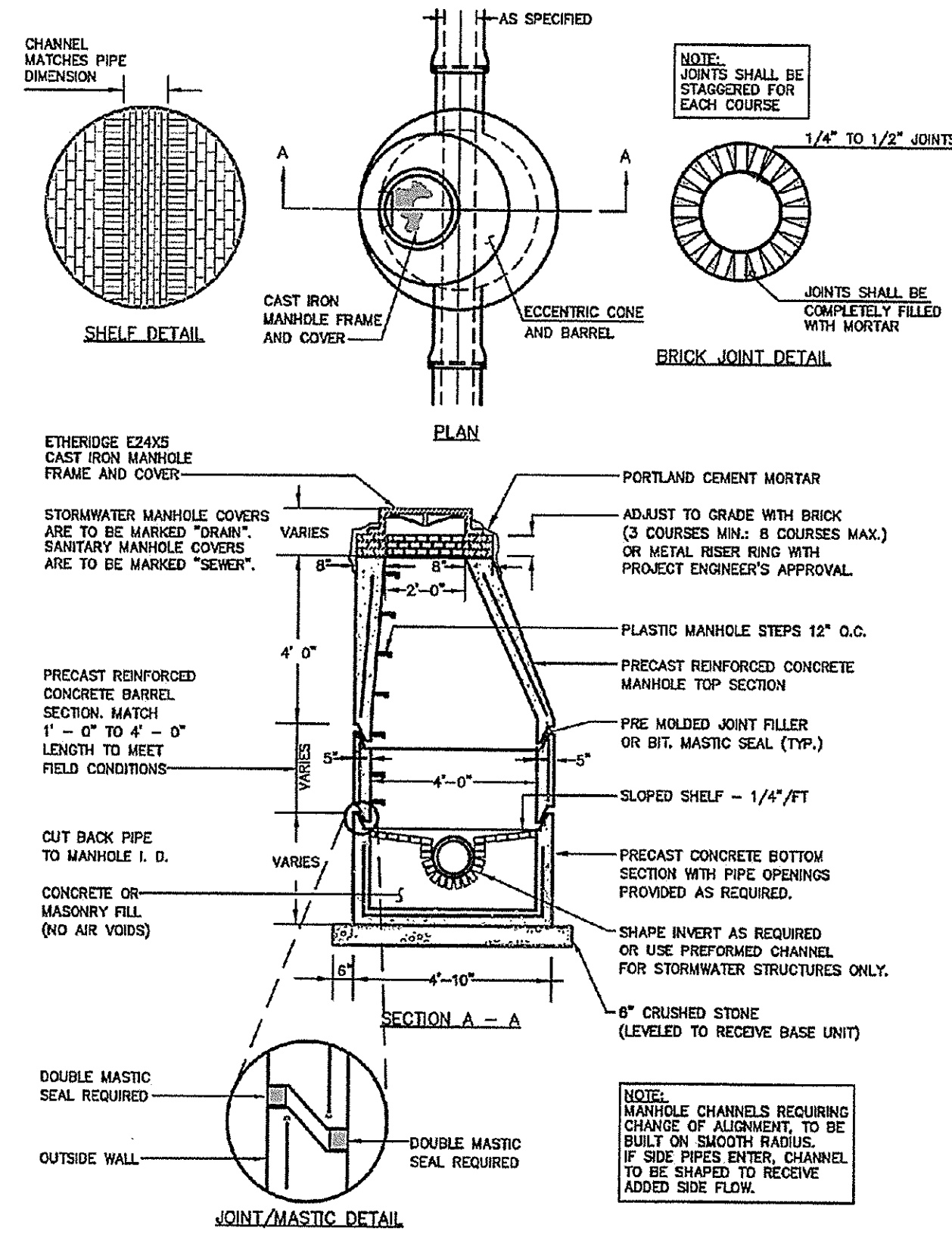


10 greenscreen® VINE PLANTING DETAIL



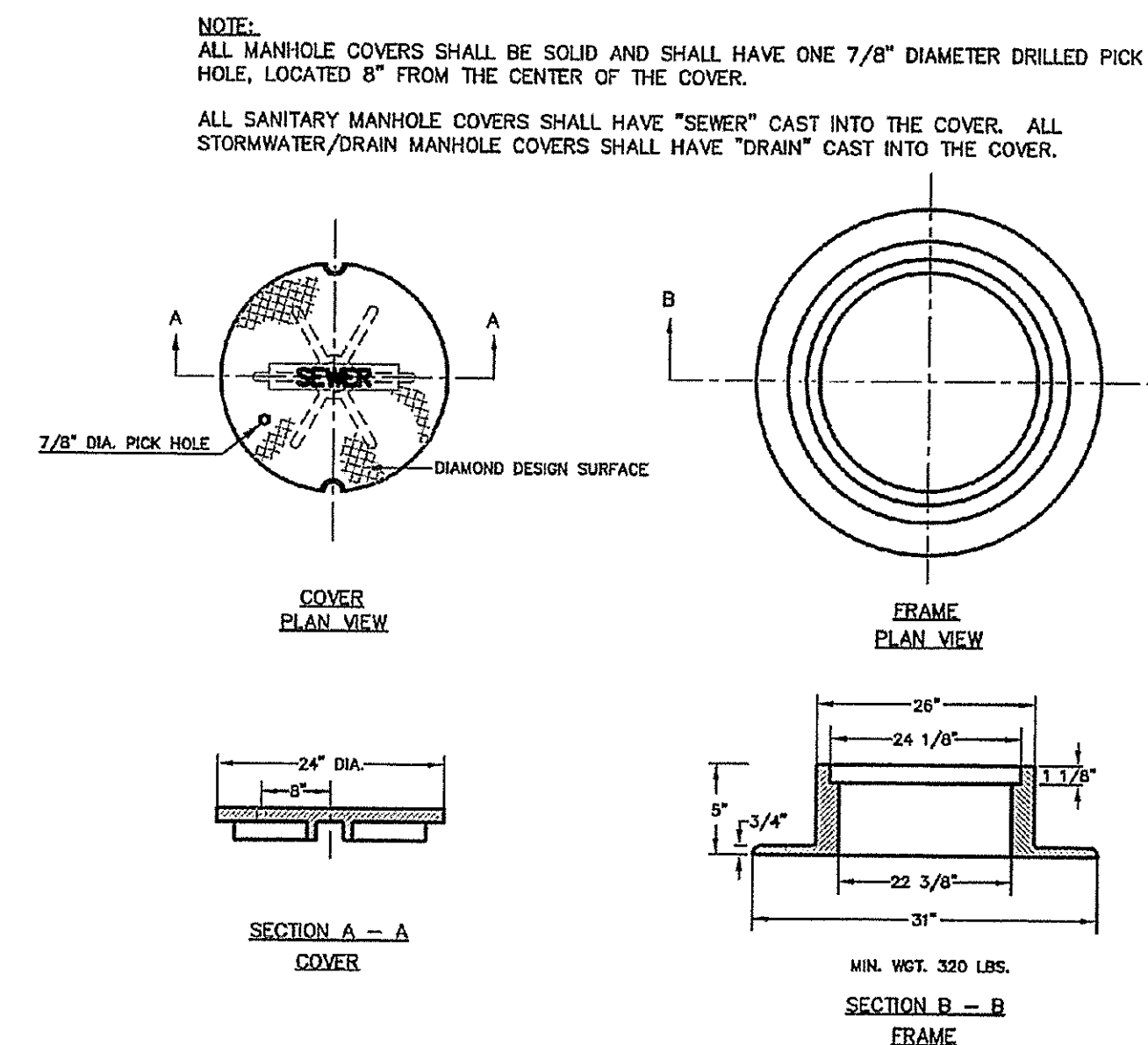
- NOTES:**
1. MINIMUM LENGTH OF THE CURB SECTIONS SHALL BE 3'-0".
 2. FOR ALL CURBS WITH RADIUS LESS THAN 15' INSTALL STONES CUT TO THE RADIUS REQUIRED (NOT STRAIGHT SECTIONS).

11 SLOPED GRANITE CURB SECTION ON-SITE



5 PRECAST CONCRETE MANHOLE (II-1)

NOT TO SCALE



4 CONCRETE IRON MANHOLE COVER & FRAME (II-5)

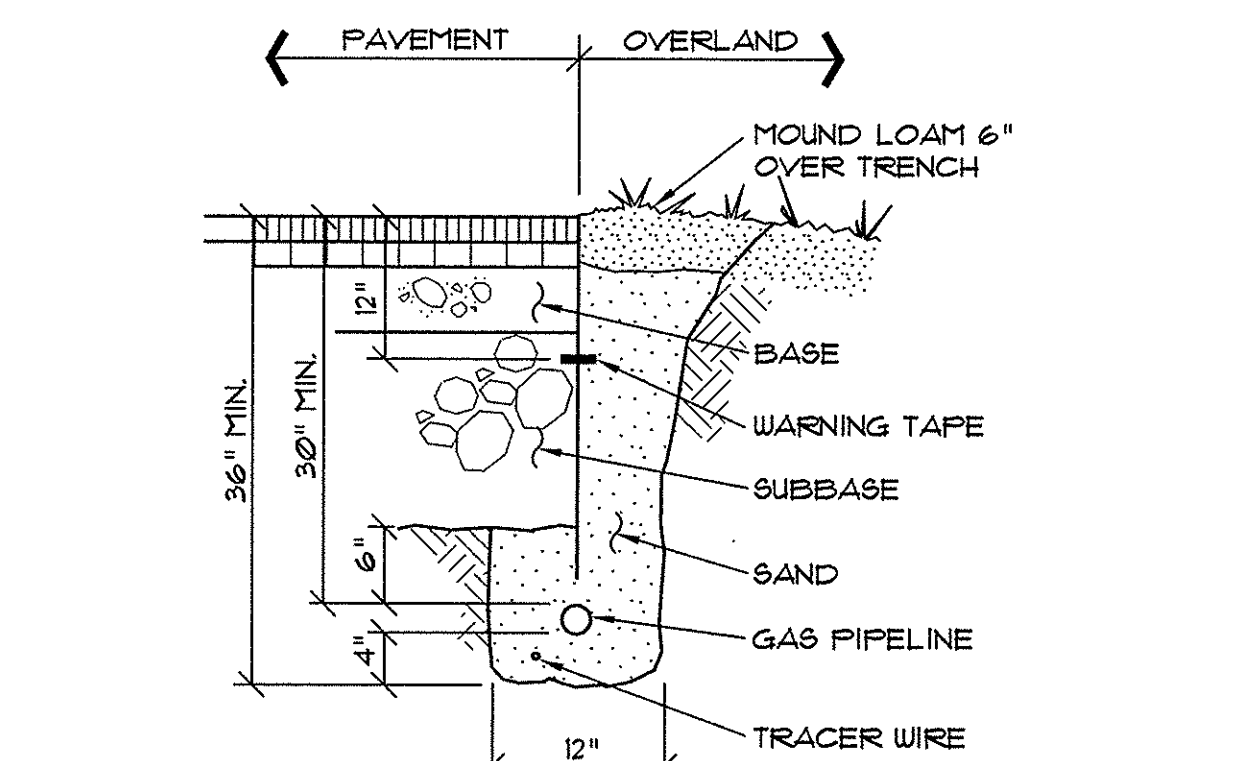
NOT TO SCALE

POLYETHYLENE ENCASUREMENT GENERAL SPECIFICATIONS

1. TUBE TYPE POLYETHYLENE ENCASUREMENT SHALL BE INSTALLED ON ALL DUCTILE IRON PIPE AND FITTINGS IN ACCORDANCE WITH AWWA STANDARD C105 - LATEST REVISION, METHOD A.
2. POLYETHYLENE ENCASUREMENT SHALL BE EITHER LINEAR LOW-DENSITY POLYETHYLENE (LLDPE) FILM WITH A MINIMUM THICKNESS OF 8-MIL OR HIGH-DENSITY, CROSS-LAMINATED POLYETHYLENE (HDCLPE) FILM WITH A MINIMUM THICKNESS OF 4-MIL.
3. CIRCUMFERENTIAL WRAPS OF TAPE OR PLASTIC TIE STRAPS SHALL BE PLACED AT 2-FT. INTERVALS ALONG THE BARREL OF THE PIPE.
4. THE POLYETHYLENE ENCASUREMENT SHALL PREVENT CONTACT BETWEEN THE PIPE AND THE SURROUNDING BACKFILL AND BEDDING MATERIAL BUT IS NOT INTENDED TO BE A COMPLETELY AIRTIGHT OR WATERTIGHT ENCLOSURE. ALL LUMPS OF CLAY, MUD, CINDERS, AND SO FORTH, ON THE PIPE SURFACE SHALL BE REMOVED PRIOR TO INSTALLATION OF THE POLYETHYLENE ENCASUREMENT. DURING INSTALLATION, CARE SHALL BE EXERCISED TO PREVENT SOIL OR EMBANKMENT MATERIAL FROM BECOMING TRAPPED BETWEEN THE PIPE AND THE POLYETHYLENE.
5. THE POLYETHYLENE FILM SHALL BE FITTED TO THE CONTOUR OF THE PIPE TO EFFECT A SNUG, BUT NOT TIGHT, ENCASUREMENT WITH MINIMUM SPACE BETWEEN THE POLYETHYLENE AND THE PIPE. SUFFICIENT SLACK SHALL BE PROVIDED IN CONTOURING TO PREVENT STRETCHING THE POLYETHYLENE WHERE IT BRIDGES IRREGULAR SURFACES, SUCH AS BELL-SPIGOT INTERFACES, BOLTED JOINTS, OR FITTINGS, AND TO PREVENT DAMAGE TO THE POLYETHYLENE DUE TO BACKFILLING OPERATIONS. OVERLAPS AND ENDS SHALL BE SECURED WITH ADHESIVE TAPE, STRING, PLASTIC TIE STRAPS, OR ANY OTHER MATERIAL CAPABLE OF HOLDING THE POLYETHYLENE ENCASUREMENT IN PLACE UNTIL BACKFILLING OPERATIONS ARE COMPLETE.
6. THREE LAYERS OF POLYETHYLENE ADHESIVE TAPE SHALL BE WRAPPED AROUND ANY POLYWRAPPED PIPE WHERE A TAPPING MACHINE WILL BE PLACED. ALL COPPER SERVICES CONNECTED TO A PIPE WRAPPED IN POLYETHYLENE ENCASUREMENT SHALL BE WRAPPED WITHIN THREE FEET OF THE PIPE.

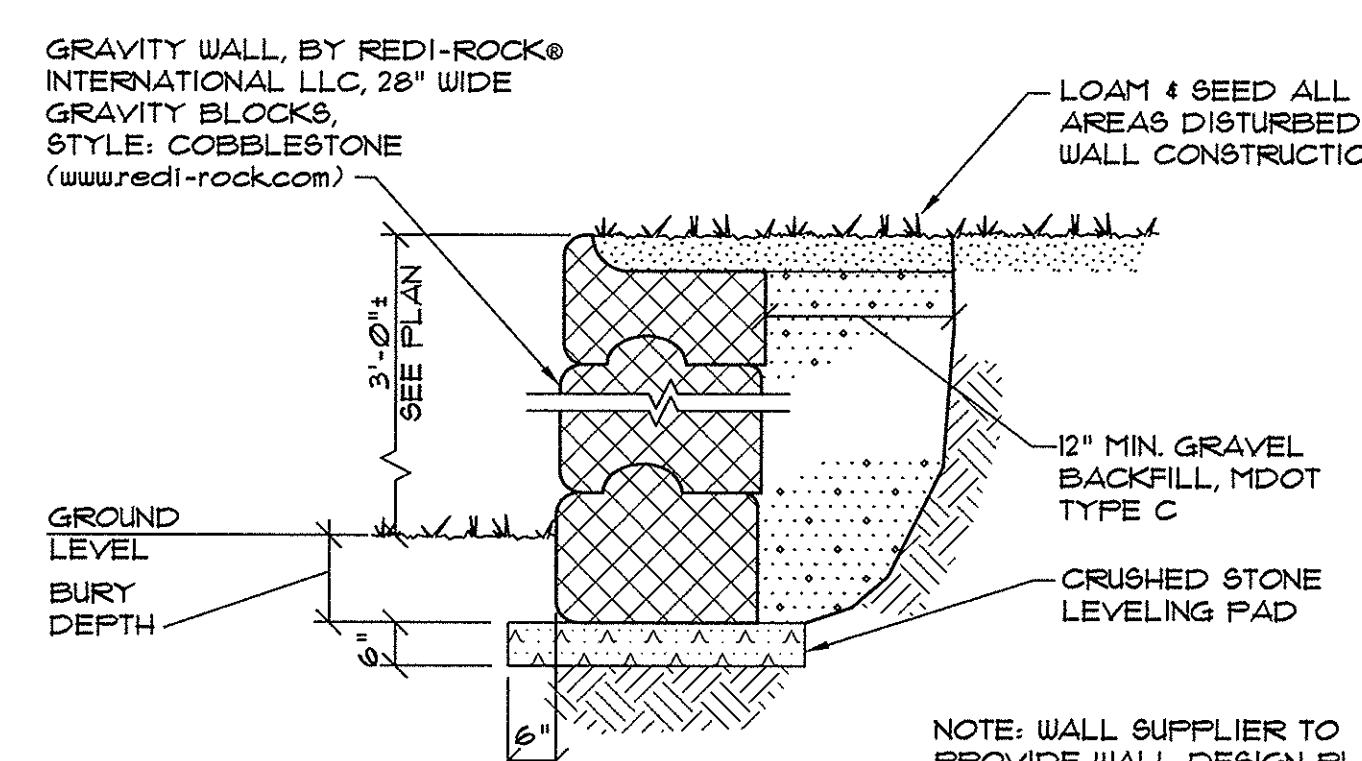
6 TYPICAL WATER MAIN SECTION ON-SITE

NOT TO SCALE



8 GAS PIPING TRENCH SECTION

NOT TO SCALE



7 MODULAR BLOCK WALL

NOT TO SCALE

UNDERGROUND UTILITIES WARNING TAPE

IDENTIFICATION TAPE TO BE INSTALLED ABOVE ALL NEW UNDERGROUND UTILITIES AND ABOVE ANY EXISTING UTILITIES THAT MAY BE EXPOSED BY THIS CONSTRUCTION.

DETECTABLE UNDERGROUND MARKING TAPE TO BE PERMANENT, BRIGHT-COLORED, CONTINUOUS-PRINTED PLASTICIZED ALUMINUM TAPE, INTENDED FOR DIRECT-BURIAL SERVICE NOT LESS THAN 3" WIDE x 5 MILS THICK. PROVIDE TAPE WITH BLACK PRINTING IDENTIFYING THE UTILITY. DETECTABLE WARNING TAPE REQUIRED OVER ALL WATER, SEWER, DRAINAGE, OR GAS UTILITIES. TAPE TO BE TERRA TAPE BY REEF INDUSTRIES, INC., www.reefindustries.com, OR EQUAL.

AFWA UNIFORM COLOR CODE:

| | |
|--------|---|
| WHITE | PROPOSED EXCAVATION |
| PINK | TEMPORARY SURVEY MARKINGS |
| RED | ELECTRIC POWER LINES, CABLES, CONDUIT AND LIGHTING CABLES |
| YELLOW | GAS, OIL, STEAM, PETROLEUM OR GASEOUS MATERIALS |
| ORANGE | COMMUNICATION, ALARM OR SIGNAL LINES, CABLES OR CONDUIT |
| BLUE | POTABLE WATER |
| PURPLE | RECLAIMED WATER, IRRIGATION AND SLURRY LINES |
| GREEN | SEWERS AND DRAIN LINES |

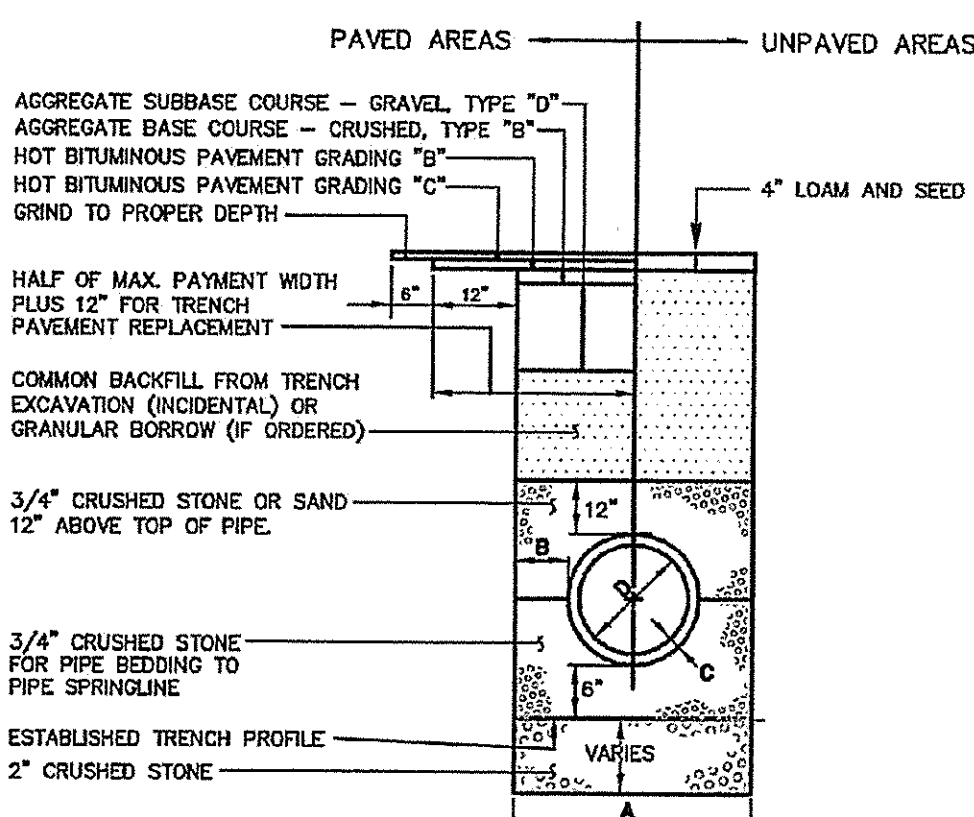
1 UNDERGROUND UTILITIES WARNING TAPE

GENERAL NOTES FOR MANHOLES AND CATCH BASINS

1. ALL CONCRETE SHALL HAVE A MINIMUM ULTIMATE COMPRESSIVE STRENGTH OF 4000 PSI PER SQ. INCH AT THE END OF 28 DAYS, UNLESS OTHERWISE NOTED.
2. MANHOLES MAY BE CONSTRUCTED OF PRECAST REINFORCED CONCRETE, OR CAST IN PLACE.
3. PRECAST REINFORCED CONE BARREL MANUFACTURED PER ASTM SPEC. C-478.
4. ALL STORM AND SEWER MANHOLE COVERS SHALL BE SOLID AND SHALL HAVE ONE 7/8" DIAMETER DRILLED PICK HOLE LOCATED 8" FROM THE CENTER OF THE COVER.
5. ALL SANITARY MANHOLE COVERS SHALL HAVE "SEWER" CAST INTO THE COVER. ALL STORMWATER/DRAIN MANHOLE COVERS SHALL HAVE "DRAIN" CAST INTO THE COVER.
6. ALL MANHOLE RISERS SHALL BE ETHERIDGE 24" OR APPROVED EQUAL.
7. SEWER BRICK SHALL CONFORM TO ASTM SPEC. DESIGNATE ON C-32-63, GRADE MA AND SA.
8. ALL SANITARY MANHOLES SHALL HAVE A WATERPROOFING COATING APPLIED TO THE EXTERIOR SURFACE.
9. CATCH BASIN FRAMES FOR TYPE A4 CATCH BASIN CURB INLETS SHALL BE ETHERIDGE DRSA OR APPROVED EQUAL.
10. CASTINGS SHALL CONFORM TO ASTM DESIGNATION A48-CLASS 35.
11. EXISTING MANHOLES, CATCH BASINS, FRAMES, AND COVERS SHALL BE SALVAGED BY THE CONTRACTOR, AND SHALL REMAIN THE PROPERTY OF THE CITY OF PORTLAND.
12. ALL CATCH BASIN OUTLETS SHALL BE INSTALLED WITH A GASO TRAP. SEE FIGURE II-09.

GENERAL NOTES FOR MANHOLES AND CATCH BASINS (II-4)

NOTES:
DEPTH OF BITUMINOUS PAVEMENT AND AGGREGATE COURSES SHALL BE DETERMINED BY STREET CLASSIFICATION.
ANY ALTERNATE TRENCH OR PAYMENT METHODS SHALL BE APPROVED IN ADVANCE BY THE CITY OF PORTLAND, DEPARTMENT OF PUBLIC SERVICES.



NOTES:

1. ALTERNATIVE CONSTRUCTION METHODS OR PAYMENT METHODS SHALL BE APPROVED IN ADVANCE BY THE CITY.
2. IN PAVED AREAS, DEPTHS OF GRAVEL AND HOT MIX ASPHALT PAVEMENT SHALL MATCH THE GREATER OF EXISTING CONDITIONS OR THE REQUIREMENTS FOR THE CORRESPONDING STREET CLASSIFICATION.
3. DIMENSION B SHALL BE SUFFICIENT TO ALLOW CRUSHED STONE BEDDING TO BE PLACED AND COMPACTED UNDER THE MANHOLES OF THE PIPE, BUT IN ALL CASES DIMENSION B SHALL BE AT LEAST 0".
4. DIMENSION A IS THE MAXIMUM WIDTH ALLOWED FOR CALCULATING PAY QUANTITIES UNDER GRANULAR BORROW, CRUSHED STONE, STRUCTURAL EARTH EXCAVATION, AND STRUCTURAL ROCK EXCAVATION. DIMENSION A SHALL BE BASED ON PIPE DIAMETER D, AS SET FORTH IN THE FOLLOWING TABLE.

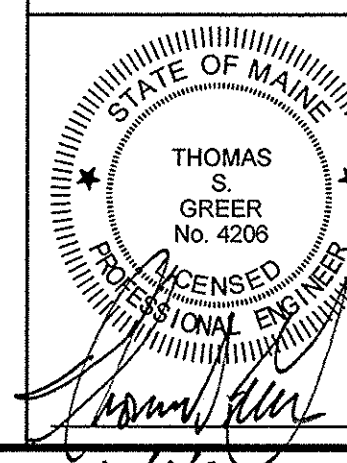
| PIPE DIAMETER, D (INCHES) | MAX. TRENCH WIDTH, A (FEET) |
|---------------------------|-----------------------------|
| 4 | 4.0 |
| 6 | 4.0 |
| 8 | 4.0 |
| 10 | 4.0 |
| 12 | 5.0 |
| 15 | 5.0 |
| 18 | 5.0 |
| 21 | 5.0 |
| 24 | 6.0 |
| 27 | 6.0 |
| 30 | 6.0 |
| 36 | 7.0 |
| 42 | 7.0 |
| 48 | 7.0 |

3 TYPICAL PIPE TRENCH INSTALLATION (11-12)

NOT TO SCALE

| 2 | 10/1/13 | SUBMITTED FOR FINAL APPROVAL |
|------|---------|---------------------------------|
| 1 | 9/3/13 | REV'D PER STAFF REVIEW COMMENTS |
| REV. | DATE | DESCRIPTION |

133 YORK, LLC
110 MARGINAL WAY, SUITE 292, PORTLAND
133 YORK STREET CONDOMINIUMS
133 YORK STREET, PORTLAND ME



PINKHAM & GREER
CONSULTING ENGINEERS
28 VANNAH AVENUE
PORTLAND, MAINE

| | |
|---------------------|--------------|
| SCALE: AS SHOWN | DRN BY: JDC |
| DATE: JULY 23, 2013 | DESG BY: TSG |
| PROJECT: 13105 | CHK BY: TSG |

C2.2