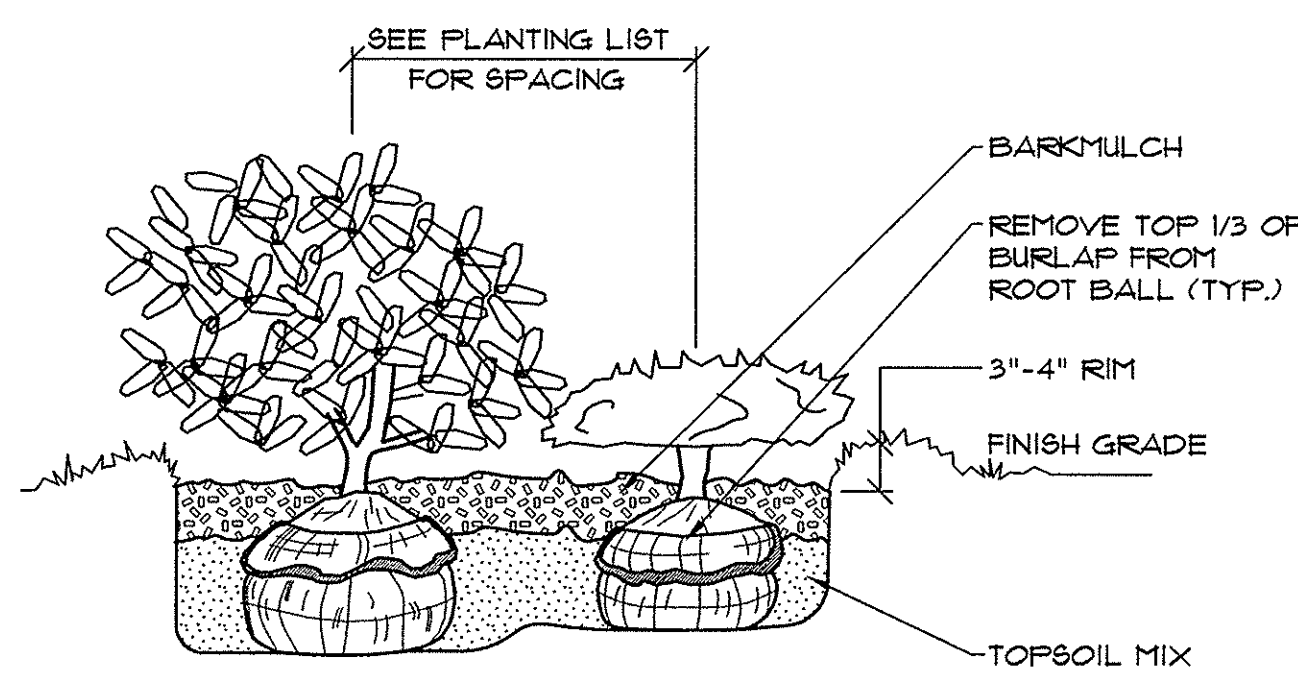


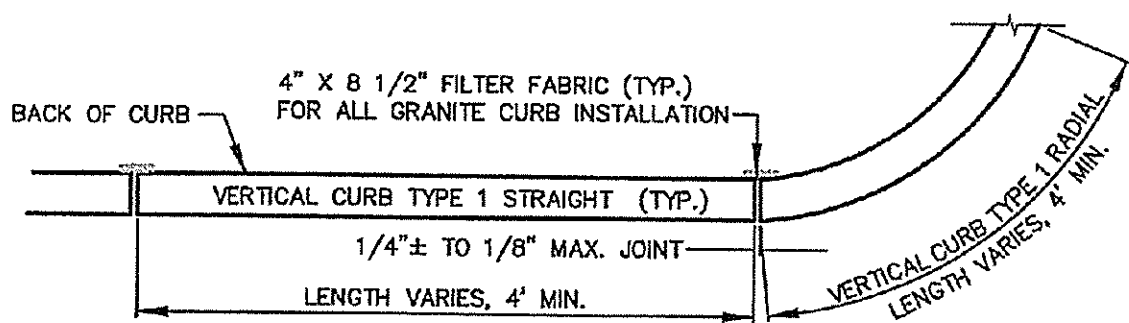
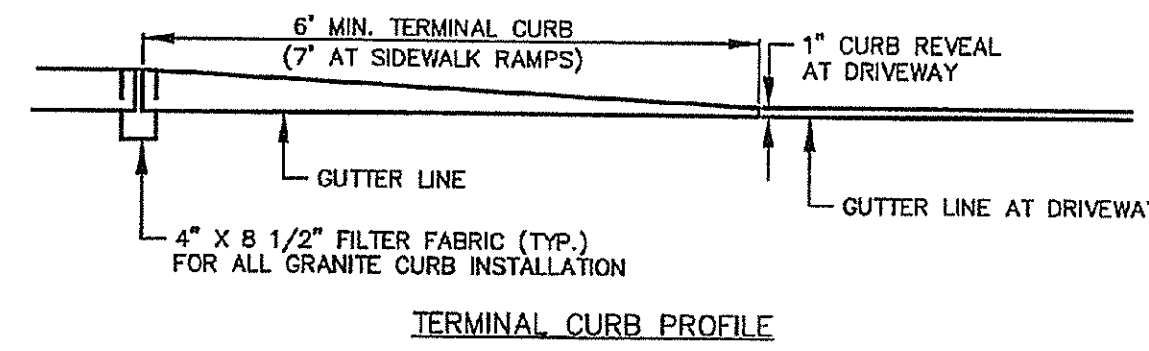
9 BIKE RACK DETAIL

NOT TO SCALE



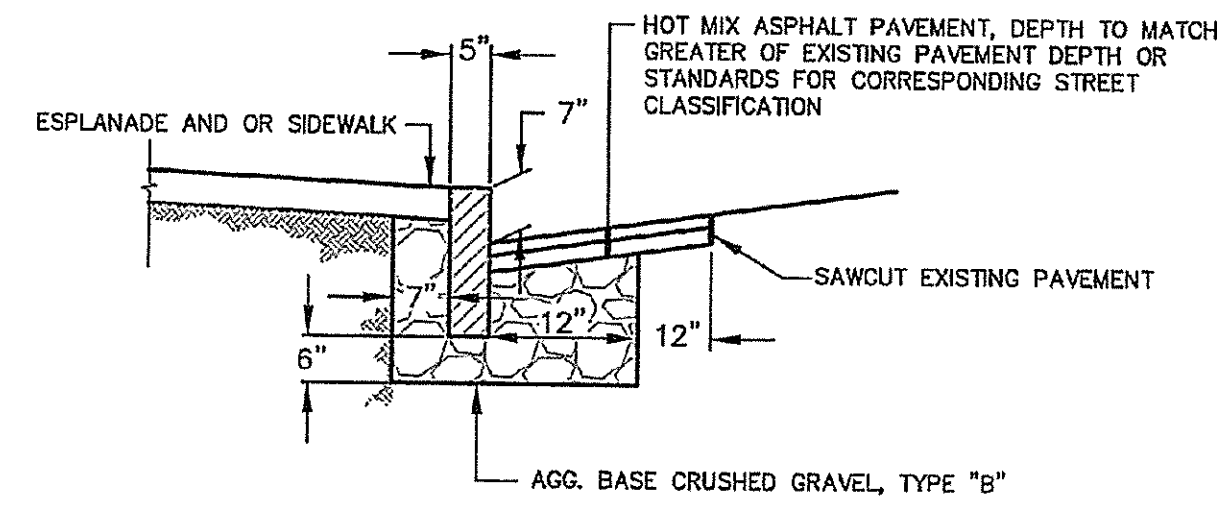
7 SHRUB PLANTING DETAIL

NOT TO SCALE



4 VERTICAL GRANITE CURB INSTALLATION IN EXISTING STREET (1-17)

NOT TO SCALE



4 VERTICAL GRANITE CURB INSTALLATION IN EXISTING STREET (1-17)

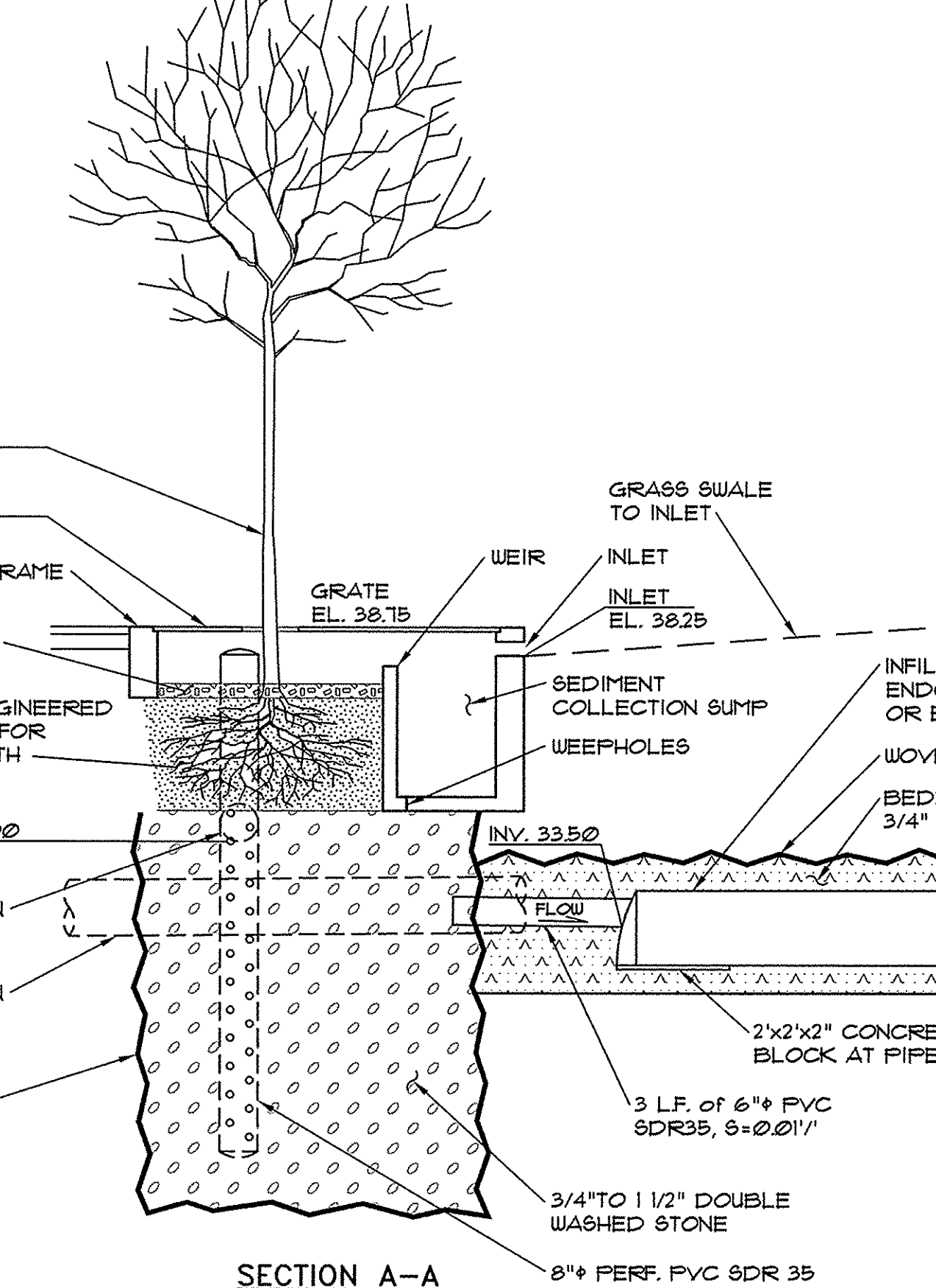
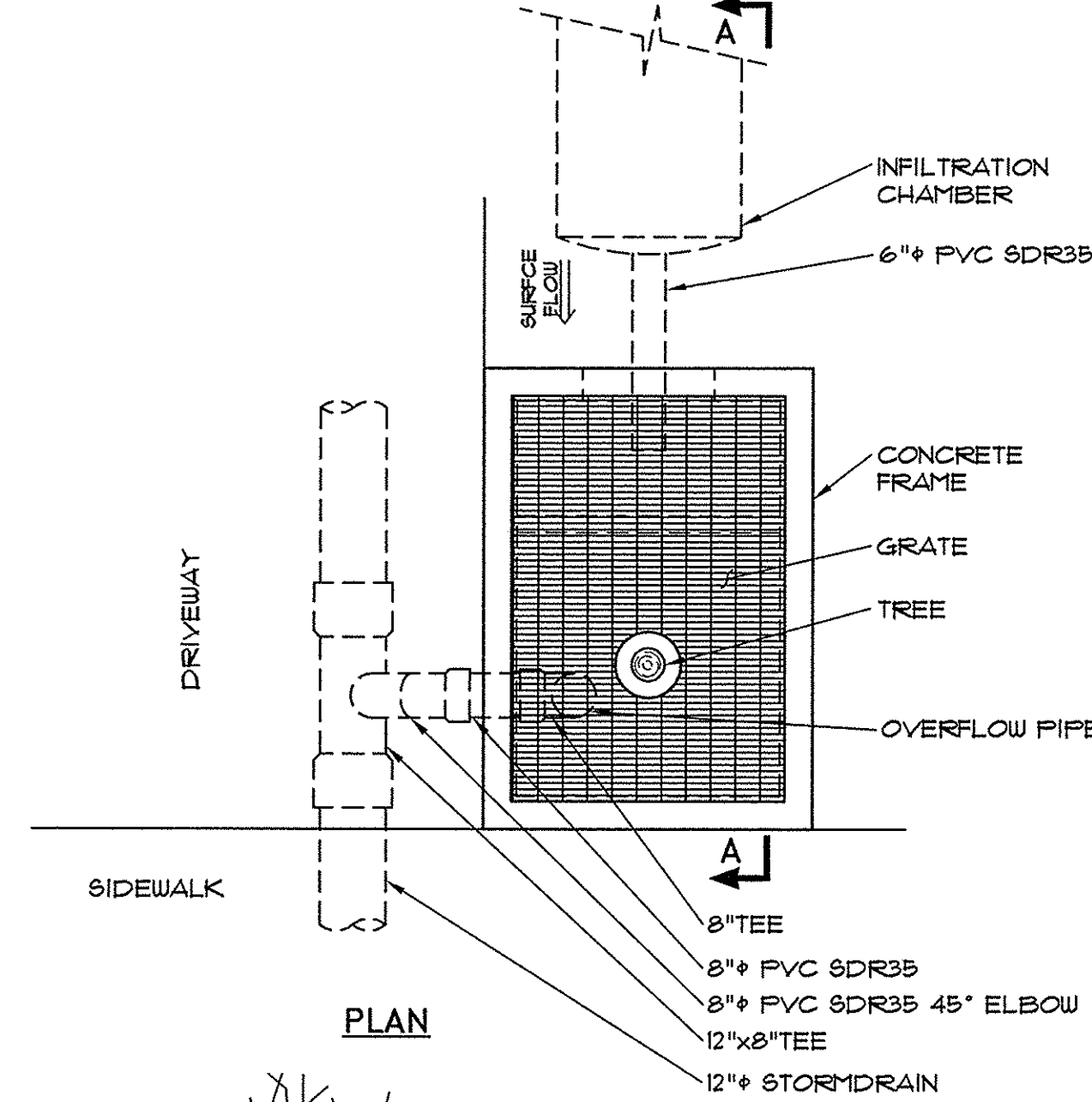
NOT TO SCALE

| CONSTRUCTION  | USE   |
|---|---|
| <ul style="list-style-type: none"> <li>1 1/4" HMA MDOT 9.5mm</li> <li>2 1/4" HMA MDOT 19.2mm</li> <li>4" COMPACTED AGGREGATE BASE, MDOT 103.06(a) TYPE A</li> <li>15" COMPACTED AGGREGATE SUBBASE, MDOT 103.06(b) TYPE D</li> <li>COMPACTED SUBGRADE</li> </ul> | <ul style="list-style-type: none"> <li>BITUMINOUS</li> <li>FULL DEPTH CONSTRUCTION</li> </ul> |
| <ul style="list-style-type: none"> <li>4" TOPSOIL, NO STONES OVER 3/4" DIA.</li> <li>GRANULAR MATERIAL IN FILL AREAS</li> <li>COMPACTED SUBGRADE</li> </ul>   | <ul style="list-style-type: none"> <li>GRASS</li> <li>ALL DISTURBED AREAS</li> </ul>          |
| <ul style="list-style-type: none"> <li>3" BARKMULCH</li> <li>PREPARED SUBGRADE</li> </ul>   | <ul style="list-style-type: none"> <li>PLANT BED</li> <li>BARKMULCH</li> </ul>                |

NOTES:  
 1. HMA = HOT MIX ASPHALT.  
 MDOT = MAINE DEPARTMENT OF TRANSPORTATION.  
 2. ALL COURSE THICKNESS AFTER FINAL COMPACTION.

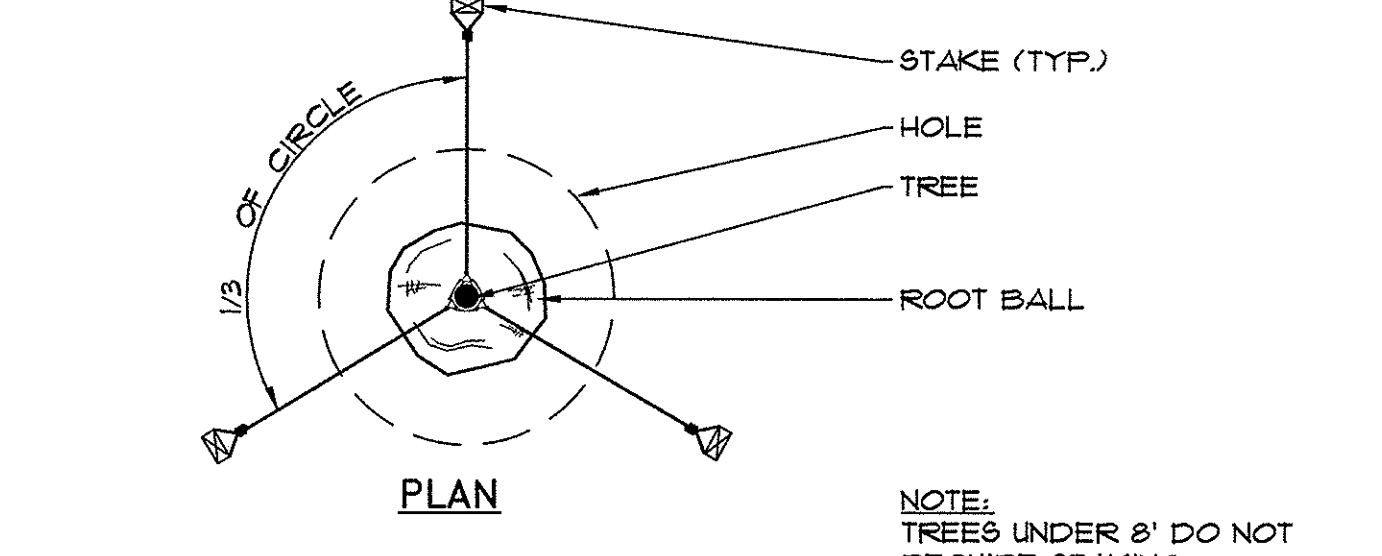
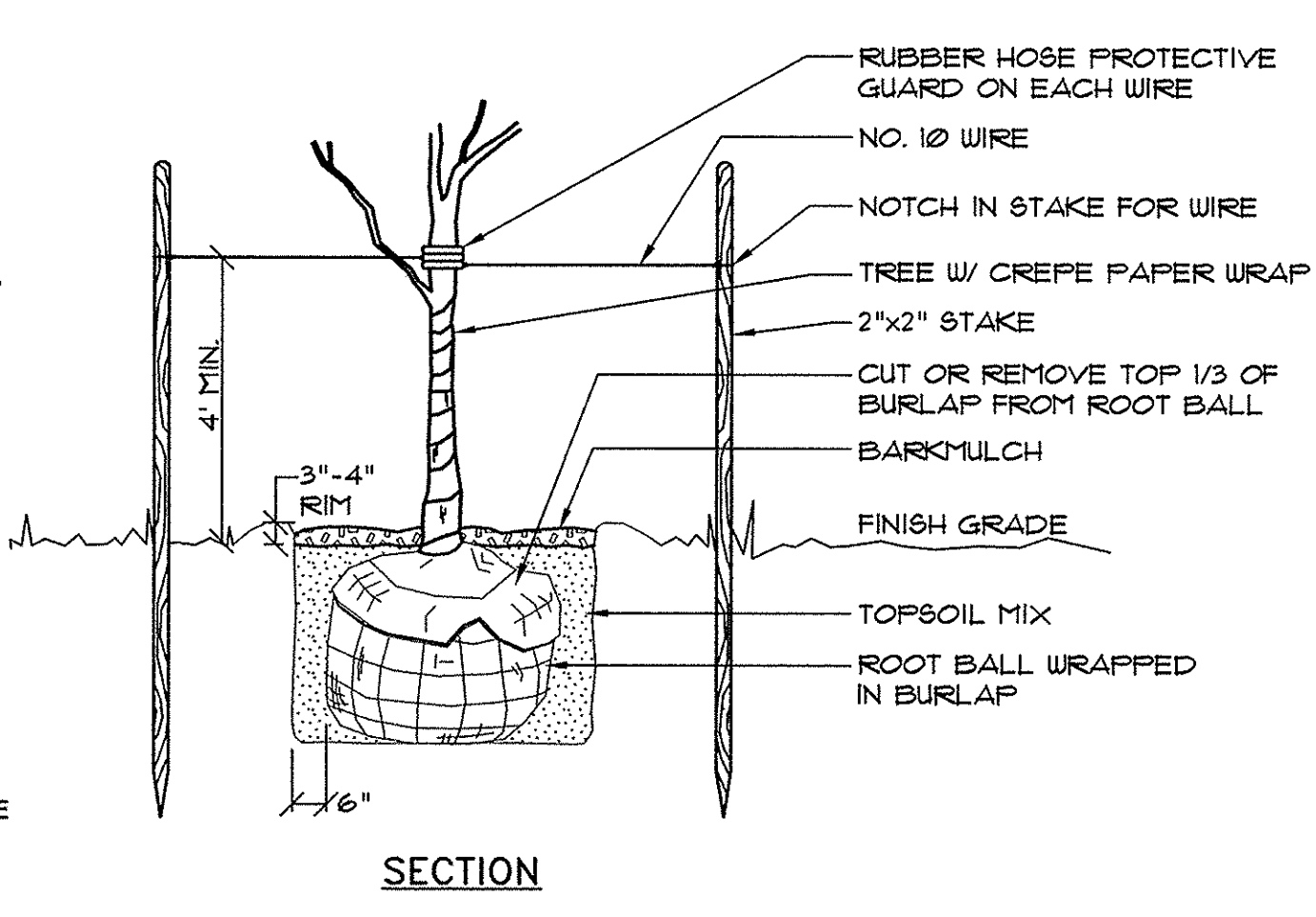
1 SCHEDULE OF SURFACE FINISHES ON-SITE

NOT TO SCALE



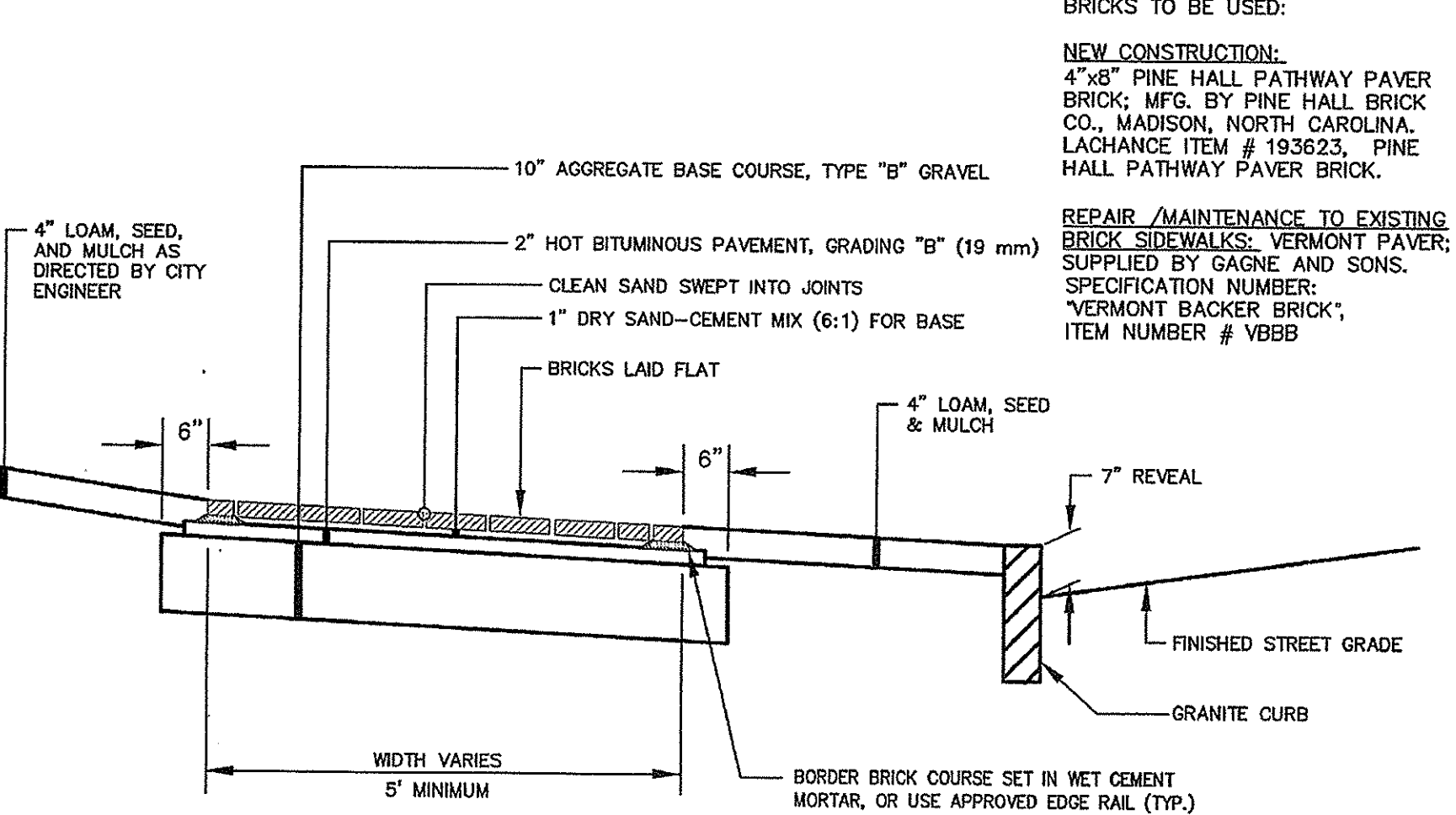
10 TREE FILTER DETAILS

NOTE: SEE SHEET C2.4 FOR ADD'L INFORMATION ABOUT THE TREE FILTER SYSTEM



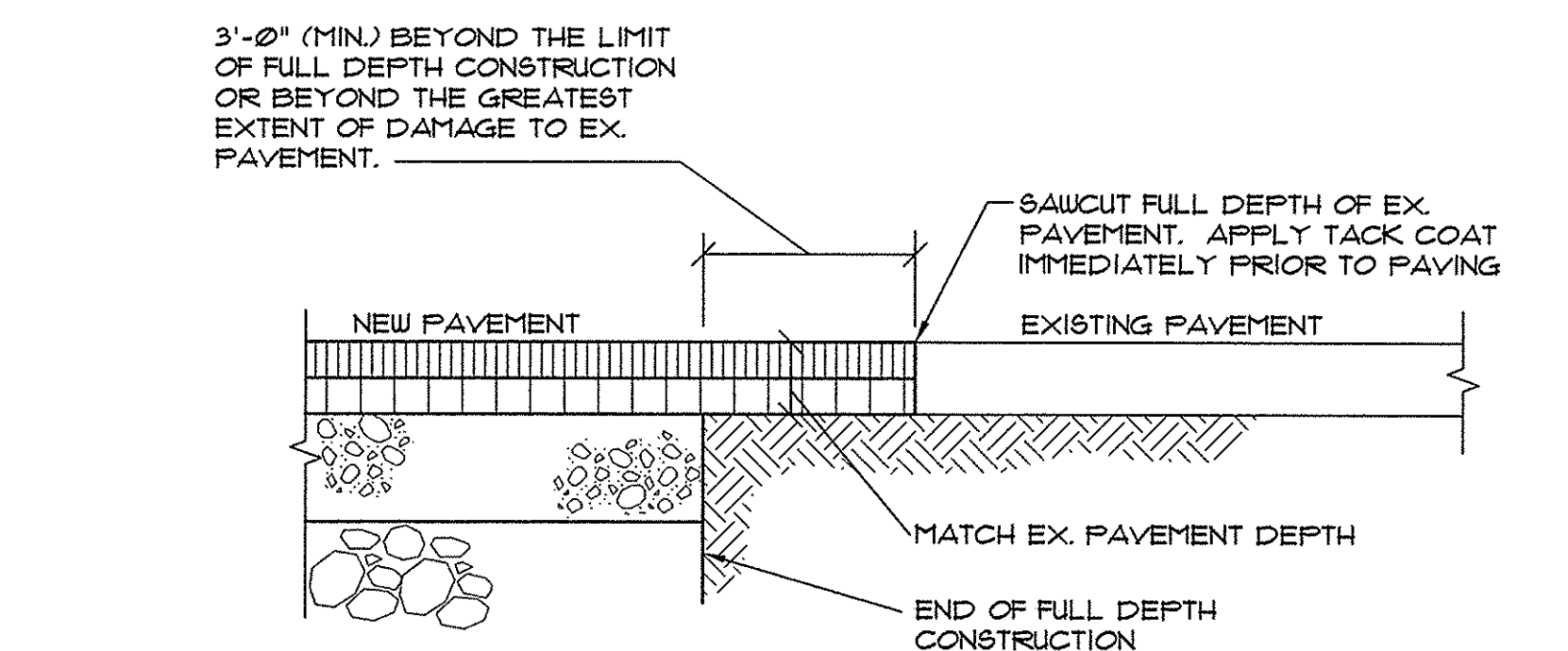
8 TREE PLANTING DETAIL

NOT TO SCALE



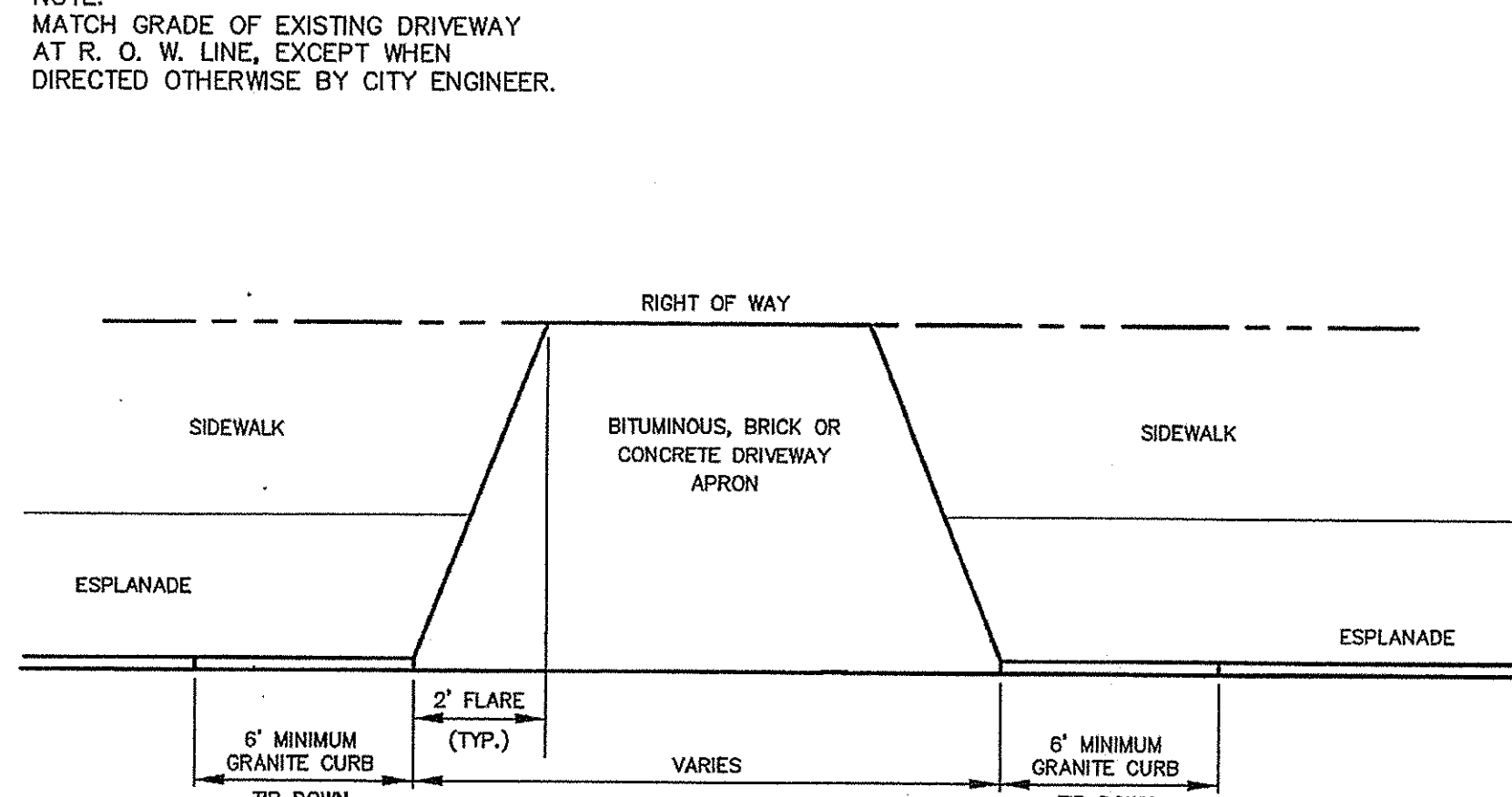
5 BRICK SIDEWALK RAMP WITH BITUMINOUS BASE (1-10)

NOT TO SCALE



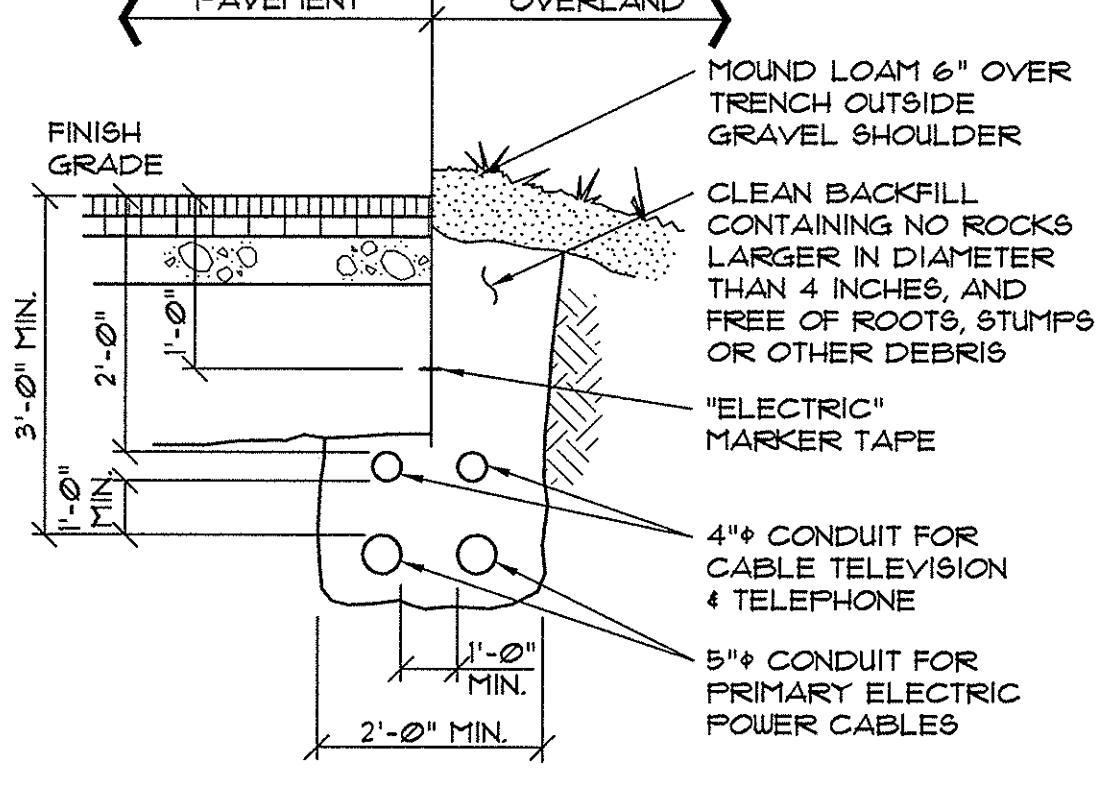
2 PAVEMENT CUTTING & MATCHING SECTION

NOT TO SCALE



3 DRIVEWAY APRON LAYOUT (1-9)

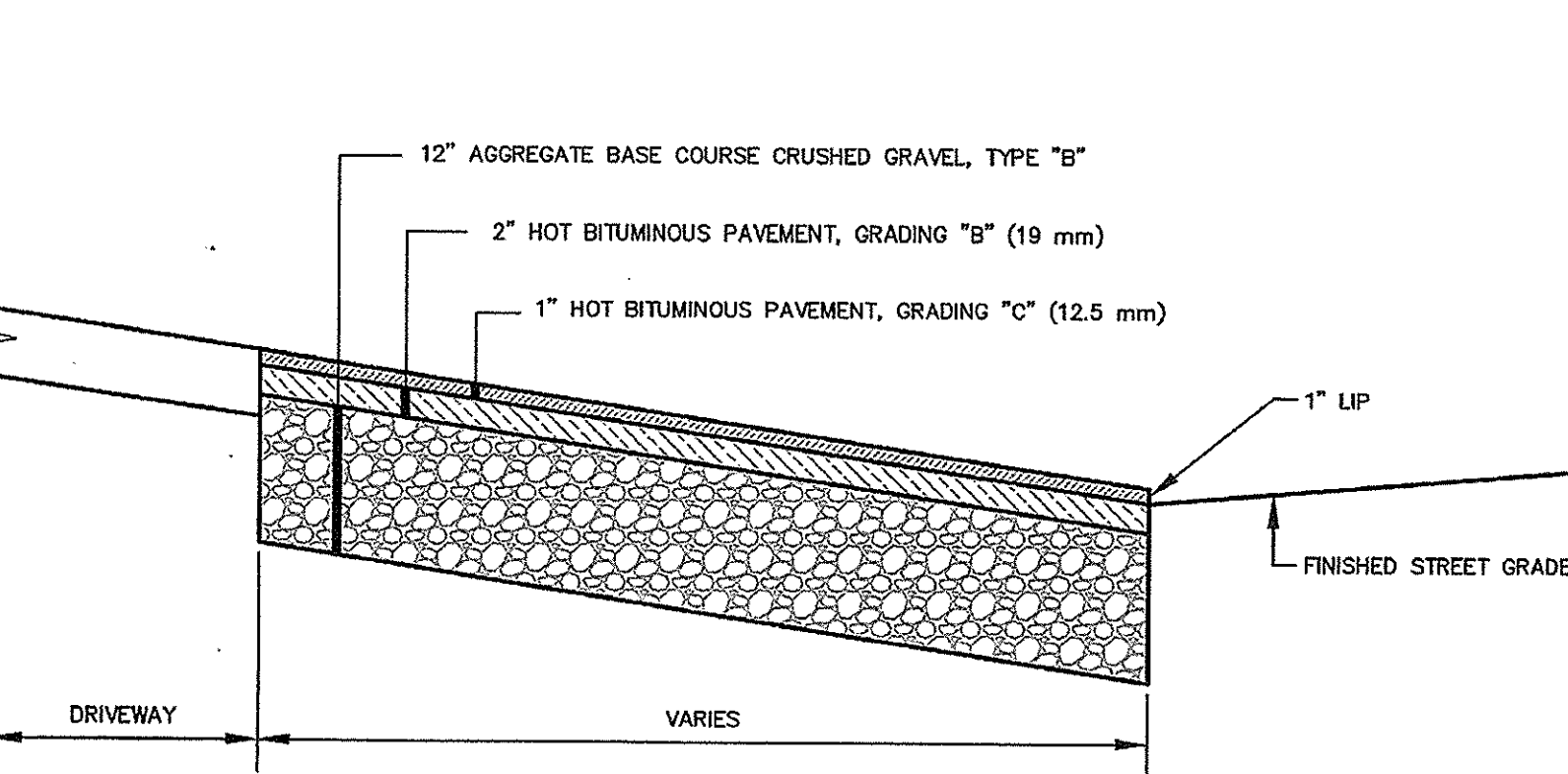
NOT TO SCALE



NOTES:  
 1. INSTALLATION SHALL NOT ALLOW INTER-TWINING OF CABLES.  
 2. DIRECT BURY CABLES EXCEPT UNDER PAVED AREAS.  
 PROVIDE 6CH. 40 PVC CONDUIT UNDER PAVED AREAS, EXTEND CONDUIT 5'-0\"/>

11 CABLE TRENCH SECTION

NOT TO SCALE



6 BITUMINOUS DRIVEWAY APRON (1-13)

NOT TO SCALE

| REV. | DATE     | DESCRIPTION                                       |
|------|----------|---|
| 4    | 7/16/14  | ISSUED FOR FINAL APPROVAL                         |
| 3    | 12/9/13  | REV'D PER CONDITIONS OF APPROVAL & STAFF COMMENTS |
| 2    | 10/21/13 | REV'D PER CITY REVIEW                             |
| 1    | 10/1/13  | SUBMITTED FOR FINAL APPROVAL                      |

133 YORK, LLC  
 110 MARGINAL WAY, SUITE 292, PORTLAND

133 YORK STREET CONDOMINIUMS  
 133 YORK STREET, PORTLAND ME

PINKHAM & GREER  
 CONSULTING ENGINEERS  
 28 VANNAH AVENUE  
 PORTLAND, MAINE

DETAILS

SCALE: AS SHOWN DRN BY: JDC  
 DATE: JULY 23, 2013 DESG BY: TSG  
 PROJECT: 13105 CHK BY: TSG

