

1 2 3 4 5 6 7

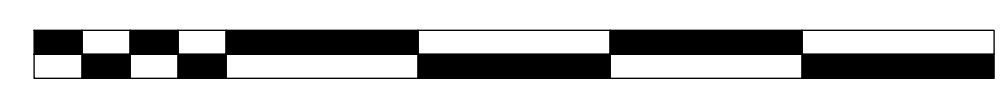
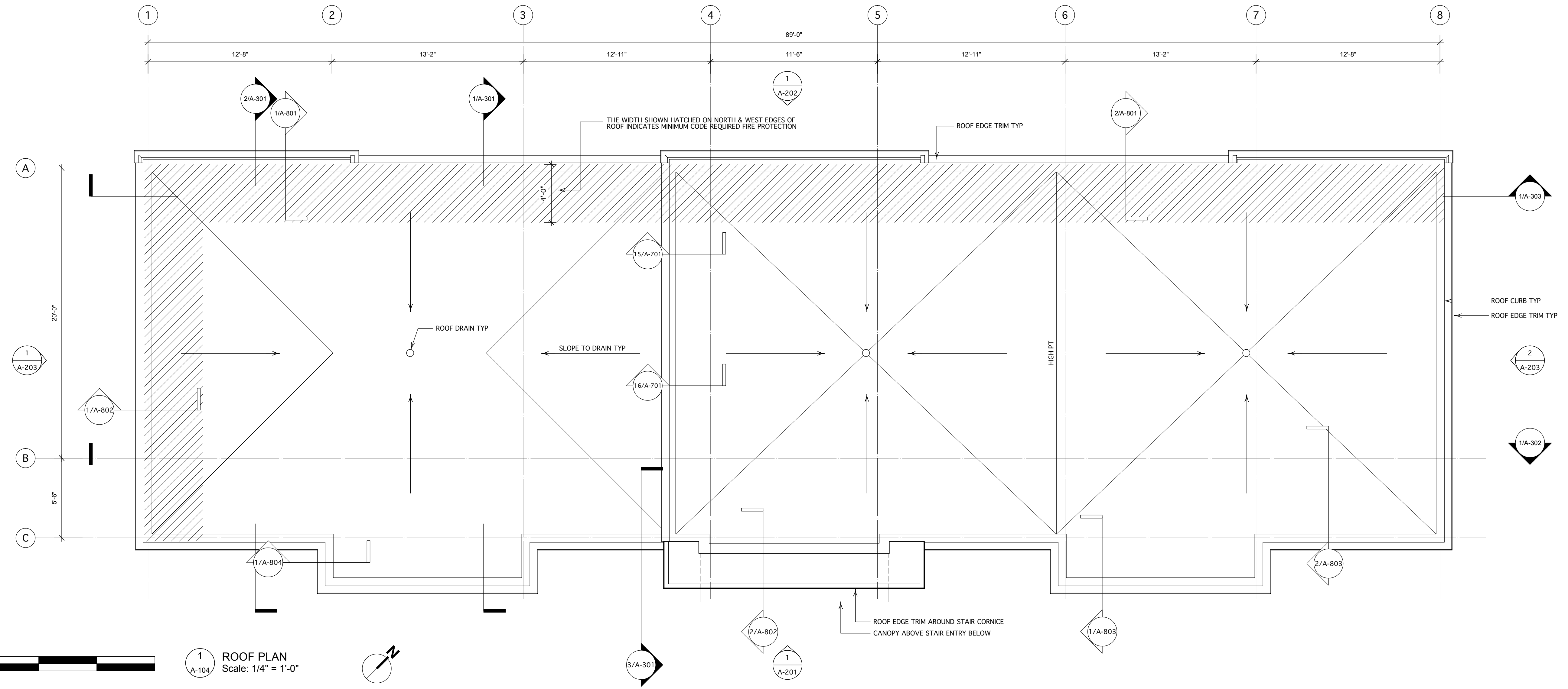
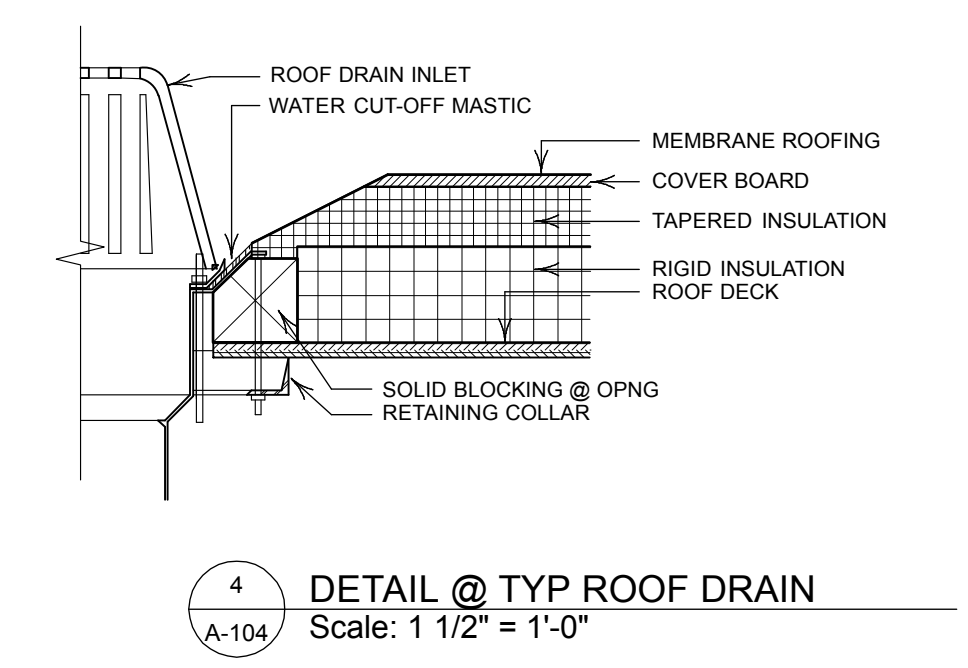
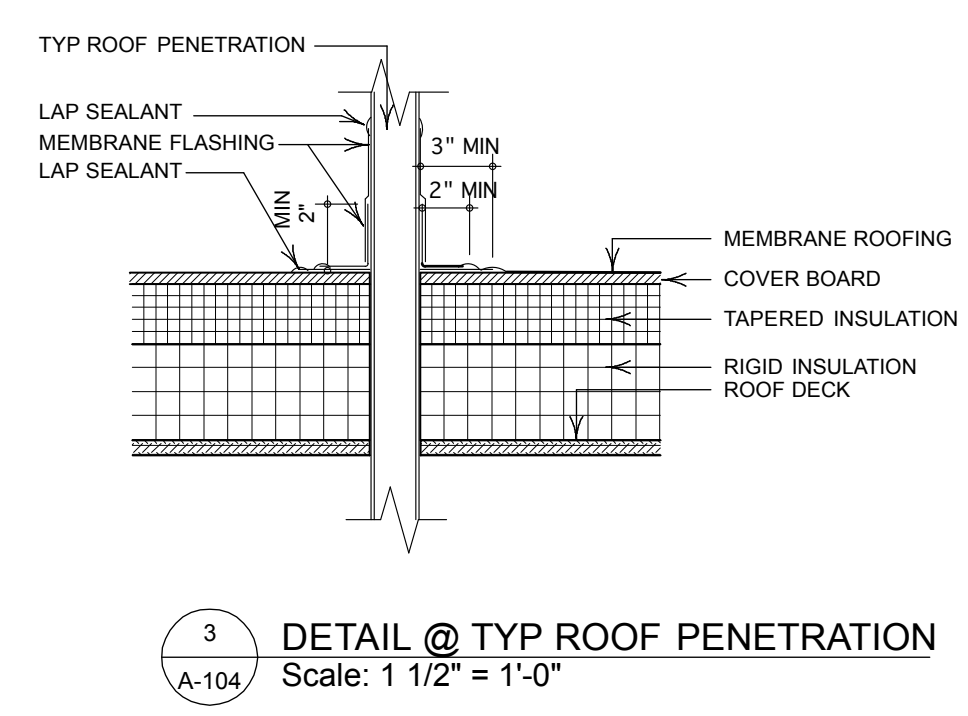
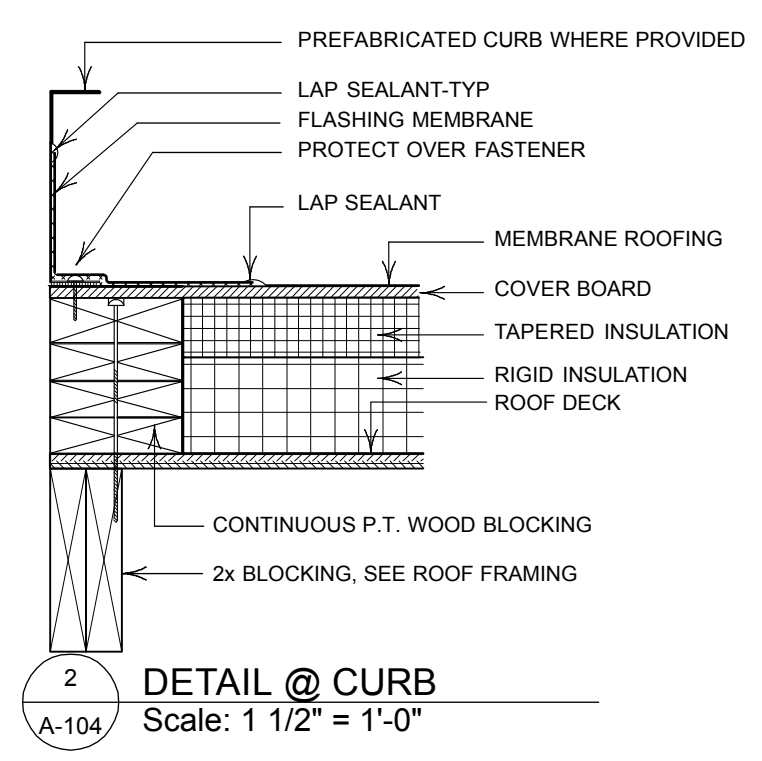
A

B

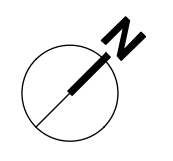
C

D

E



1 ROOF PLAN
Scale: 1/4" = 1'-0"



<table border="1"> <tr> <th>Date</th> <th>Revision</th> </tr> <tr> <td>8/20/14</td> <td>2013005</td> </tr> </table>	Date	Revision	8/20/14	2013005	<table border="1"> <tr> <th>Date</th> <th>Issue Notes</th> </tr> <tr> <td>8/20/14</td> <td>Issued for Construction</td> </tr> <tr> <td>4/3/14</td> <td>Issue Set</td> </tr> <tr> <td>7/28/13</td> <td>Issue Set</td> </tr> </table>	Date	Issue Notes	8/20/14	Issued for Construction	4/3/14	Issue Set	7/28/13	Issue Set				
Date	Revision																
8/20/14	2013005																
Date	Issue Notes																
8/20/14	Issued for Construction																
4/3/14	Issue Set																
7/28/13	Issue Set																
<table border="1"> <tr> <th>Designed By</th> <th>Checked By</th> <th>Reviewed By</th> <th>Subscribed By</th> <th>Project Manager</th> </tr> <tr> <td>reh</td> <td></td> <td></td> <td></td> <td>reh</td> </tr> </table>	Designed By	Checked By	Reviewed By	Subscribed By	Project Manager	reh				reh	<table border="1"> <tr> <th>Project No.</th> <th>Project Name</th> <th>Proj. Date</th> </tr> <tr> <td>2013005</td> <td>133 York St.</td> <td>1/13/14</td> </tr> </table>	Project No.	Project Name	Proj. Date	2013005	133 York St.	1/13/14
Designed By	Checked By	Reviewed By	Subscribed By	Project Manager													
reh				reh													
Project No.	Project Name	Proj. Date															
2013005	133 York St.	1/13/14															
<table border="1"> <tr> <th>Design Firm</th> <th>Consultant</th> </tr> <tr> <td>HKTA/architects 482 Congress Street Suite 502 Portland, Maine 04101</td> <td>Pinkham & Greer Consulting Engineers 28 Vannah Avenue Portland, Maine 04103</td> </tr> </table>	Design Firm	Consultant	HKTA/architects 482 Congress Street Suite 502 Portland, Maine 04101	Pinkham & Greer Consulting Engineers 28 Vannah Avenue Portland, Maine 04103	<table border="1"> <tr> <th>Project Title</th> <th>Drawing Title</th> </tr> <tr> <td>Residential Housing Project 133 York Street Portland, Maine</td> <td>Roof Plan Roof Details</td> </tr> </table>	Project Title	Drawing Title	Residential Housing Project 133 York Street Portland, Maine	Roof Plan Roof Details								
Design Firm	Consultant																
HKTA/architects 482 Congress Street Suite 502 Portland, Maine 04101	Pinkham & Greer Consulting Engineers 28 Vannah Avenue Portland, Maine 04103																
Project Title	Drawing Title																
Residential Housing Project 133 York Street Portland, Maine	Roof Plan Roof Details																
<table border="1"> <tr> <th>Scale</th> <th>Sheet Scale</th> </tr> <tr> <td></td> <td>A-104</td> </tr> </table>		Scale	Sheet Scale		A-104												
Scale	Sheet Scale																
	A-104																
<table border="1"> <tr> <th>Project No.</th> <th>Sheet No.</th> </tr> <tr> <td>2013005</td> <td>31</td> </tr> </table>		Project No.	Sheet No.	2013005	31												
Project No.	Sheet No.																
2013005	31																

HKTA / architects
30 Danforth Street Suite 209
Portland, Maine 04101
phone: 207. 774. 6016
fax: 207. 774. 9128
email: hkta@maine.rr.com

1 2 3 4 5 6 7