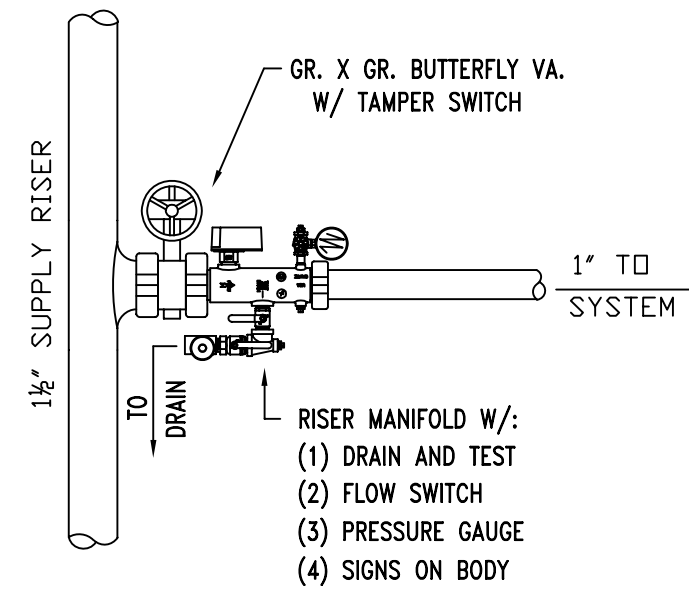
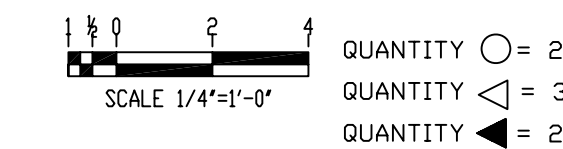
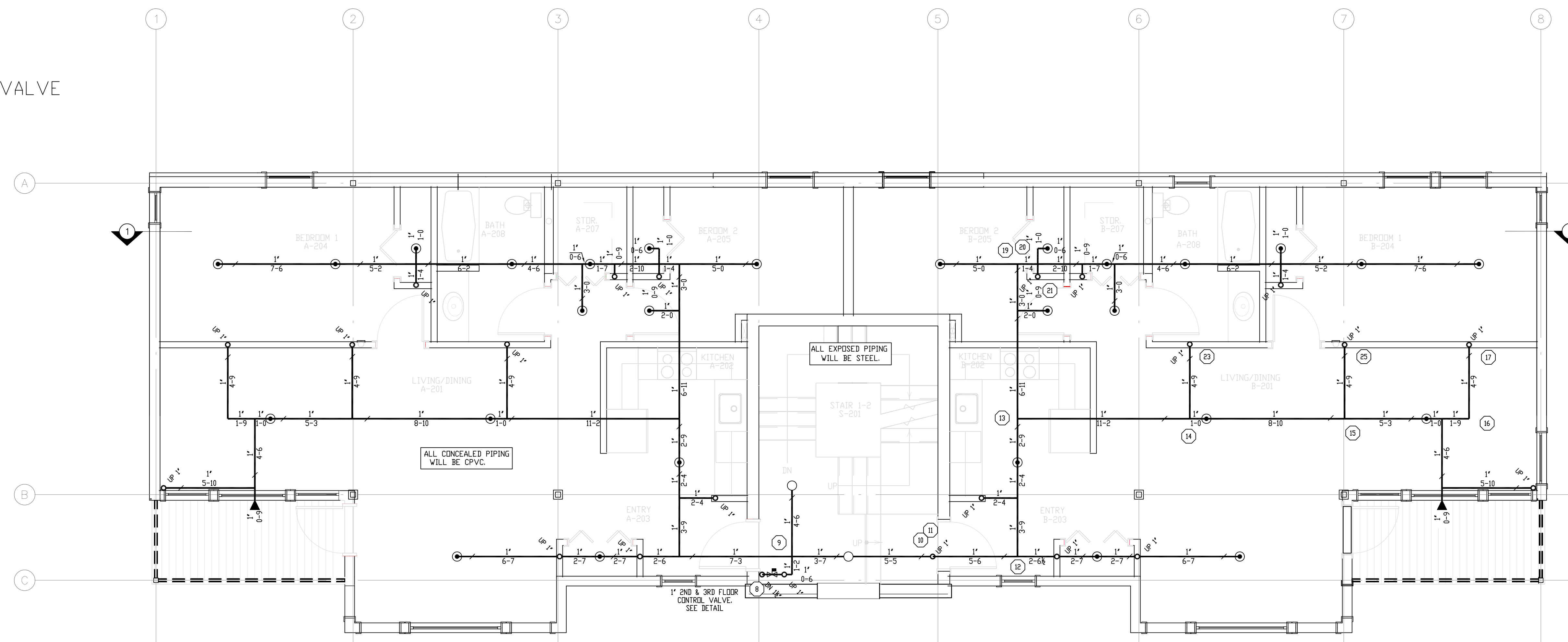


HYDRAULIC DESIGN DATA	
System # & Area	#1 - #1
No. of Sprinklers	4
Density	0.5 GPM
Designed Area	4 SPRINKS
Hose Allowance	100 GPM
Water Flow Rate	158 GPM
Residual Pressure at Base of Riser	85 PSI
Safety Factor at Base of Riser	22.66 PSI

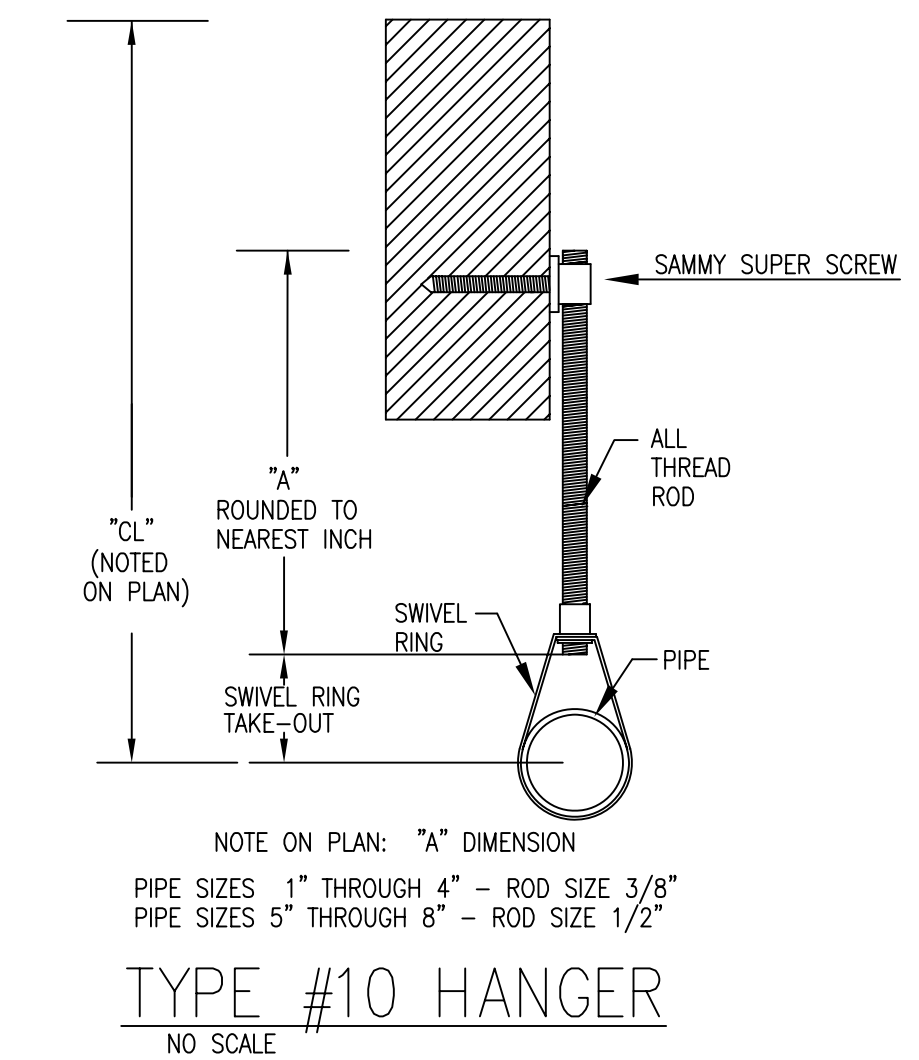
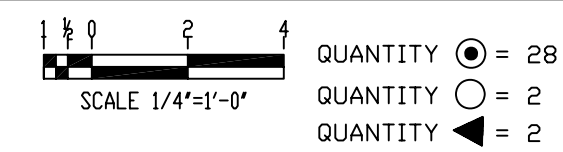
THIRD FLOOR FIRE PROTECTION



2ND & 3RD FLOOR CONTROL VALVE



SECOND FLOOR FIRE PROTECTION



REVISIONS	NOTES	SPRINKLER TYPE	IDENTIFICATION NO.	MFG.	ESC.	MODEL	FINISH	ORIFICE	TEMP.	SYMBOL	QUANT.
	K=5.6 UPRIGHT SPRINKLER COVERAGE: 15'X15'	QUICK RESP. UPRIGHT K= 5.6	TY3131	TYCO	N/A	TY-FRB	BRASS	1/2"	155°	○	4
	K=4.9 PENDANT SPRINKLER COVERAGE: 16'X16'	QUICK RESP. PENDANT K= 4.9	TY2334	TYCO	N/A	LFII	WHITE	1/2"	155°	◐	28
	K=4.4 SIDEWALL SPRINKLER COVERAGE: 14'X14'	QUICK RESP. SIDEWALL K= 4.4	TY2334	TYCO	2 PIECE	LFII	WHITE	1/2"	155°	◑	33
		DRY SIDEWALL K= 4.4	TY2335	TYCO	N/A	LFII	BRASS	1/2"	155°	◒	4
		TOTAL SPRINKLERS THIS DRAWING									
											69

STANDARD SYMBOLS	STANDARD SYMBOLS
○ = POST INDICATOR VALVE	◐ = ALARM CHECK VALVE
◑ = KEY VALVE	◒ = RISER W/ALARM VALVE
◒ = FIRE HYDRANT	◓ = RISER W/DRY VALVE
◓ = FIRE DEPT. CONNECTION	◔ = RISER W/ELEC. FLOW SWITCH
◔ = SWING CHECK VALVE	◕ = O.S. & Y GATE VALVE
◕ = NEW UNDERGROUND	◖ = WATER MOTOR BELL
◖ = EXIST UNDERGROUND	◗ = ELECTRIC BELL
	◘ = FLUSH FIRE DEPT. CONNECTION

INSPECTIONS
1.
2.
3.
4.
5.
RESPONSIBLE MANAGING SUPERVISOR #348
CONTRACTOR LICENSE #295

RESIDENCE HOUSING
133 YORK STREET
PORTLAND, MAINE 04101

FIRE PROTECTION PLAN

FREEDOM FIRE PROTECTION, INC.
209 QUAKER RIDGE ROAD
CASCO, MAINE 04015

JOB No. M0178
DATE 7/22/14
DRAWN BY M/JN
SCALE AS NOTED
SHEET No. FP-3 of 3