

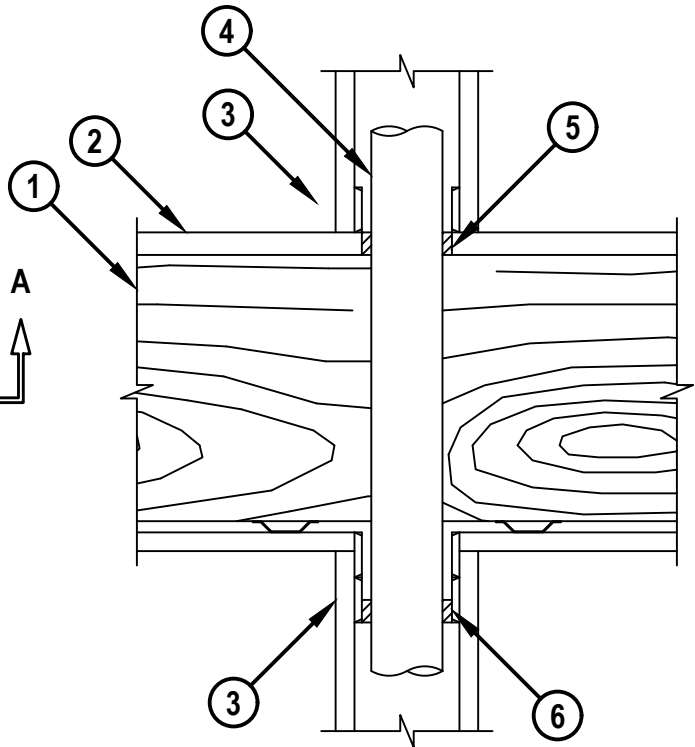
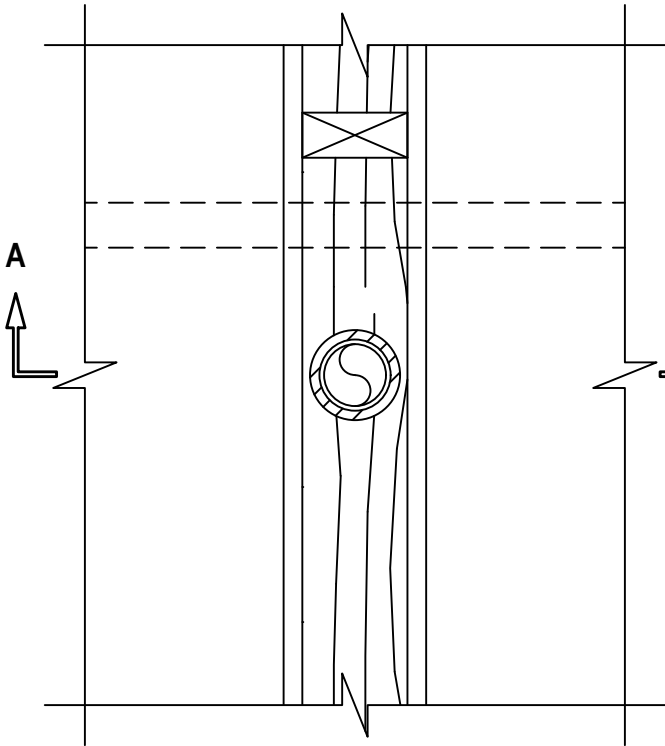
CH

ENGINEERING JUDGMENT FIRESTOP DETAIL

PROJECT : 135 YORK ST PORTLAND, ME
CONTRACTOR : NORTHEAST FIRESTOPPING SOLUTIONS
F-RATING = 1-HR. (SEE NOTE NO. 4 BELOW)

TOP VIEW

SECTION A-A



HILTI, Inc.
Plano, Texas USA (800) 879-8000

Designed by

Sheet 1 of 2

Scale 3/32" = 1"

Date Apr. 11, 2019

Drawing No.

328816a

Saving Lives through Innovation and Education

ENGINEERING JUDGMENT FIRESTOP DETAIL

PROJECT : 135 YORK ST PORTLAND, ME
 CONTRACTOR : NORTHEAST FIRESTOPPING SOLUTIONS
 F-RATING = 1-HR. (SEE NOTE NO. 4 BELOW)

1. WOOD FLOOR/CEILING ASSEMBLY (UL CLASSIFIED L502 SERIES) WITH RESILIENT CHANNELS (MAX. 1/2" WIDE) (1-HR. FIRE-RATING).
2. LUMBER OR PLYWOOD SUBFLOOR WITH FINISH FLOOR OF LUMBER/SPLIT-PLATES, PLYWOOD, OR FLOOR TOPPING MIXTURE.
3. [OPTIONAL] GYPSUM WALL ASSEMBLY (UL CLASSIFIED U300 SERIES) (1-HR. OR 2-HR. FIRE-RATING) (2-HR. SHOWN) CONSISTING OF NOMINAL 2" x 4" LUMBER/SPLIT-PLATES AND STUDS.
4. PENETRATING ITEM TO BE ONE OF THE FOLLOWING (CLOSED PIPING SYSTEM ONLY) :
 - A. NOMINAL 2" DIAMETER PVC PLASTIC PIPE (SOLID CORE).
 - B. NOMINAL 2" DIAMETER CPVC PLASTIC PIPE.
5. MINIMUM 3/4" DEPTH HILTI FS-ONE MAX INTUMESCENT FIRESTOP SEALANT FLUSH WITH TOP SURFACE OF FLOOR OR SOLE PLATE.
6. MINIMUM 5/8" DEPTH HILTI FS-ONE MAX INTUMESCENT FIRESTOP SEALANT FLUSH WITH BOTTOM SURFACE OF CEILING OR LOWER TOP PLATE.

NOTES : 1. DIAMETER OF OPENING IS 1" LARGER THAN NOMINAL DIAMETER OF PENETRANT.
 2. ANNULAR SPACE = MINIMUM 1/4", MAXIMUM 3/8".
 3. PVC = SCHEDULE 40; CPVC = SDR 17.
 4. FIRE-RATING OF ASSEMBLY IS DEPENDENT UPON THE PERFORMANCE OF GYPSUM WALL ASSEMBLY UNDER FIRE CONDITIONS.

THIS ENGINEERING JUDGMENT REPRESENTS A FIRESTOP SYSTEM THAT WOULD BE EXPECTED TO PASS THE STATED RATINGS IF TESTED.
 (REFERENCE : UL/cUL SYSTEM NO. F-E-3005; UL SYSTEM NO. F-C-2071)



Hilti Firestop Systems

HILTI, Inc.
 Plano, Texas USA (800) 879-8000

Designed by

Jaeger

Sheet 2 of 2

Scale -

Date Apr. 11, 2019

Drawing No.

328816a

Saving Lives through Innovation and Education