

**GRANT HAYS ASSOCIATES**  
 ARCHITECTURE & INTERIOR DESIGN  
 P.O. BOX 6179 FALMOUTH MAINE 04105  
 207.871.5900 www.granthays.com



REVISION

PROJECT NAME

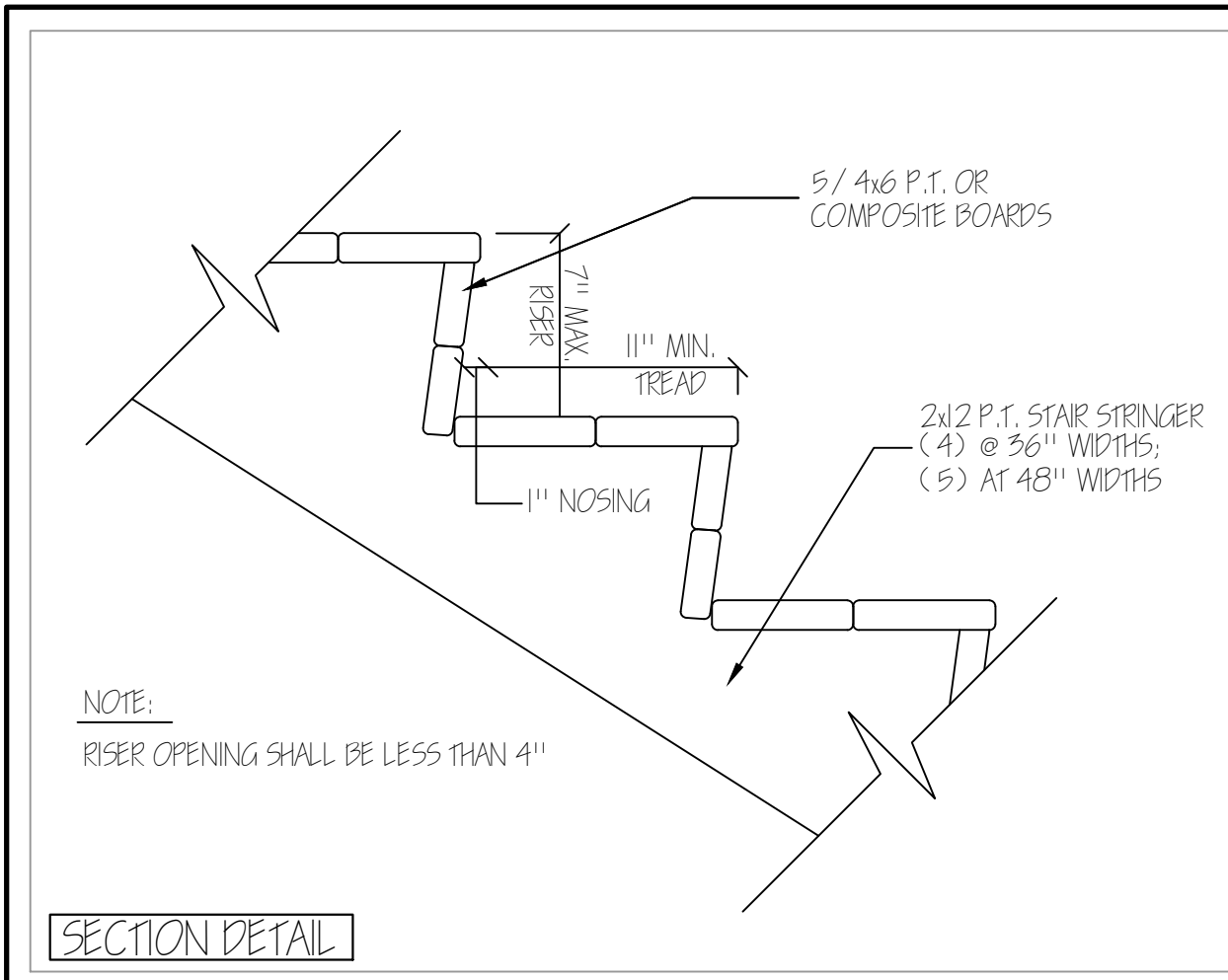
**3 UNIT APARTMENT BUILDING**  
**135 YORK STREET**  
 PEERLESS WELTMETS/LLC  
 1 PORTLAND SQUARE  
 PORTLAND, MAINE 04101

SHEET

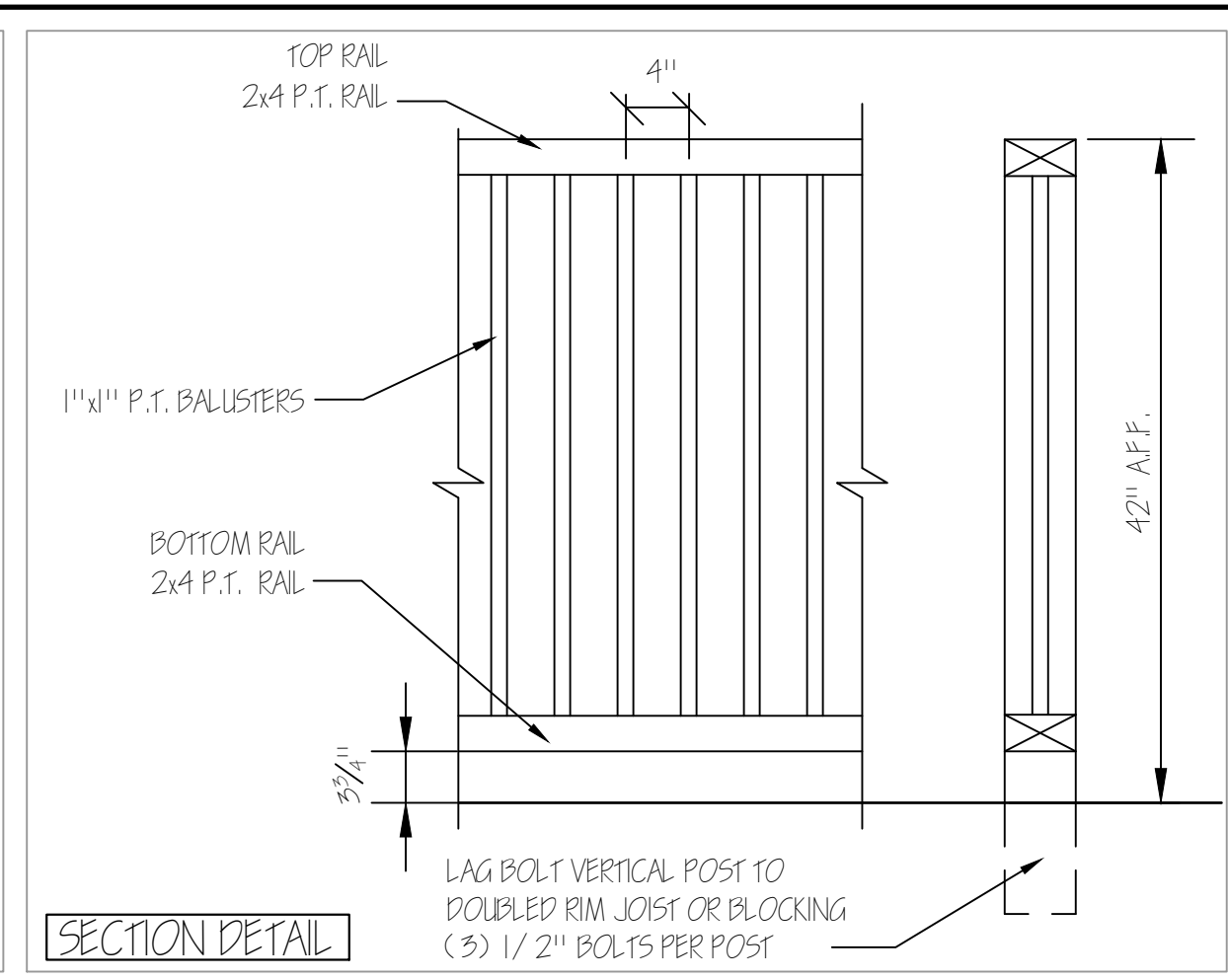
**SECTIONS & DETAILS**

DATE: 06 DEC 2017  
 SCALE: AS NOTED  
 DRAWN: JAM/MFH  
 JOB NO. -

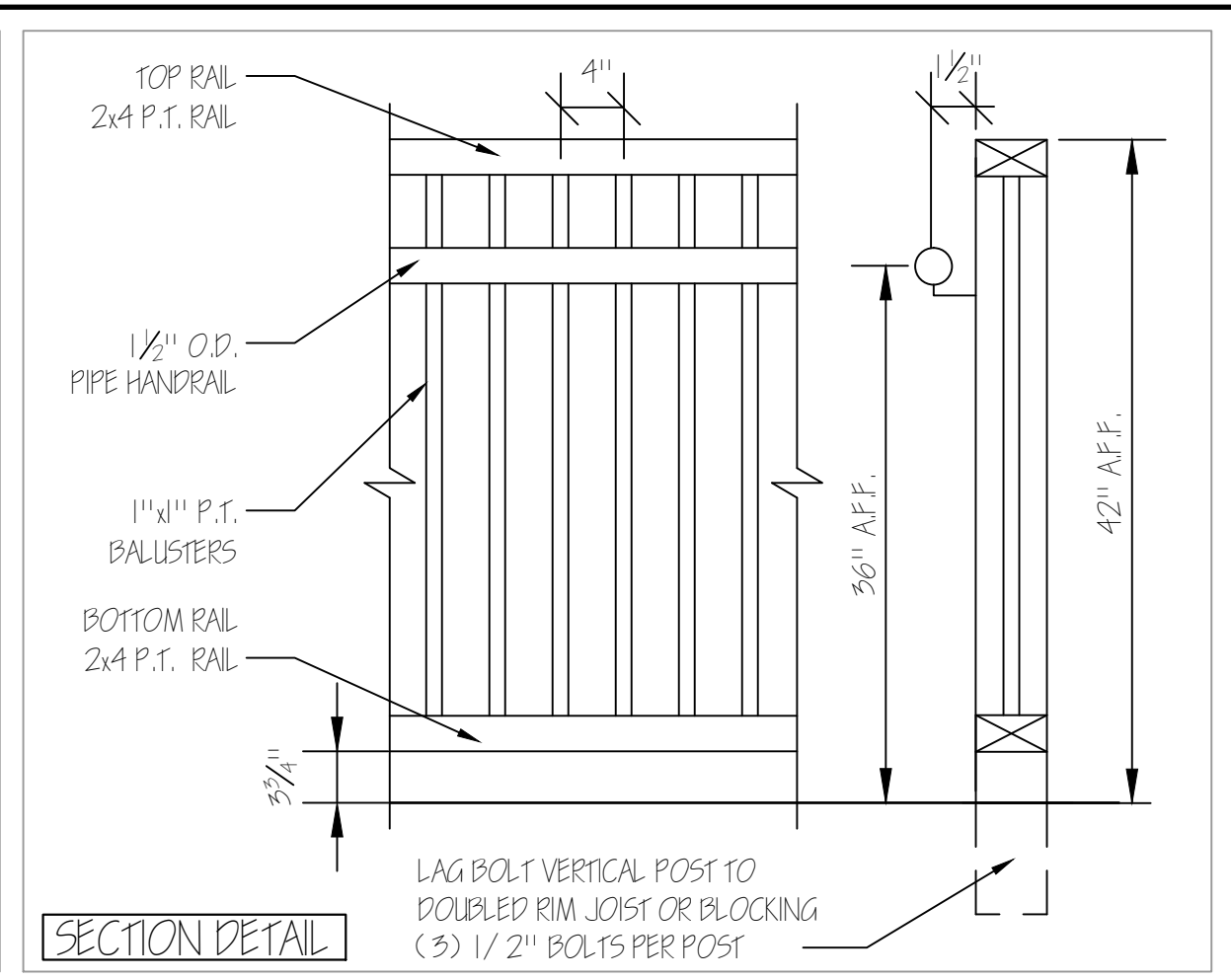
SHEET  
**A7**  
 COPYRIGHT REPRODUCTION OR REVUE OF THIS DOCUMENT WITHOUT WRITTEN PERMISSION FROM GRANT HAYS ASSOCIATES IS PROHIBITED.



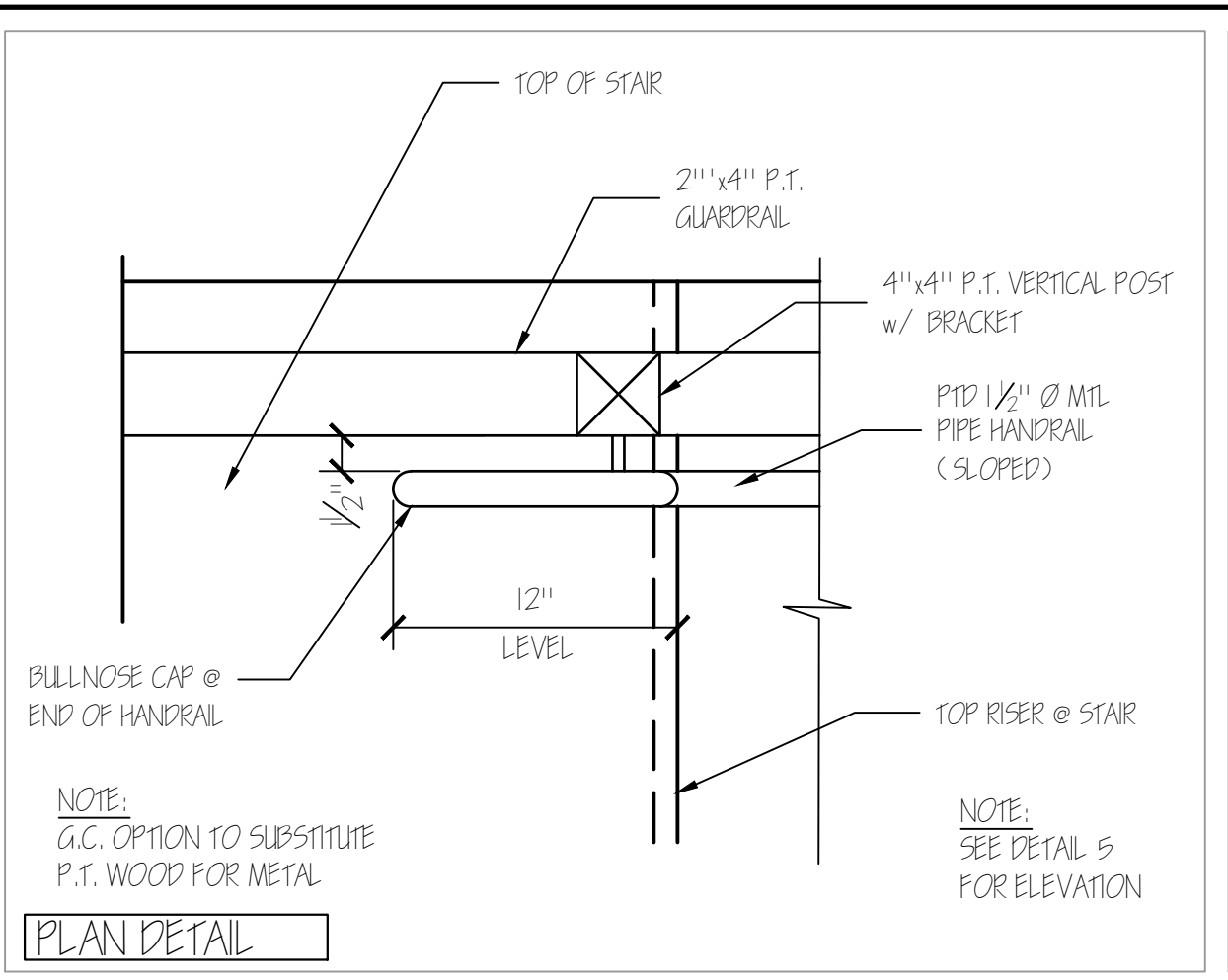
1 TYPICAL EXTERIOR STAIR TREAD / RISER 3" = 1'-0"



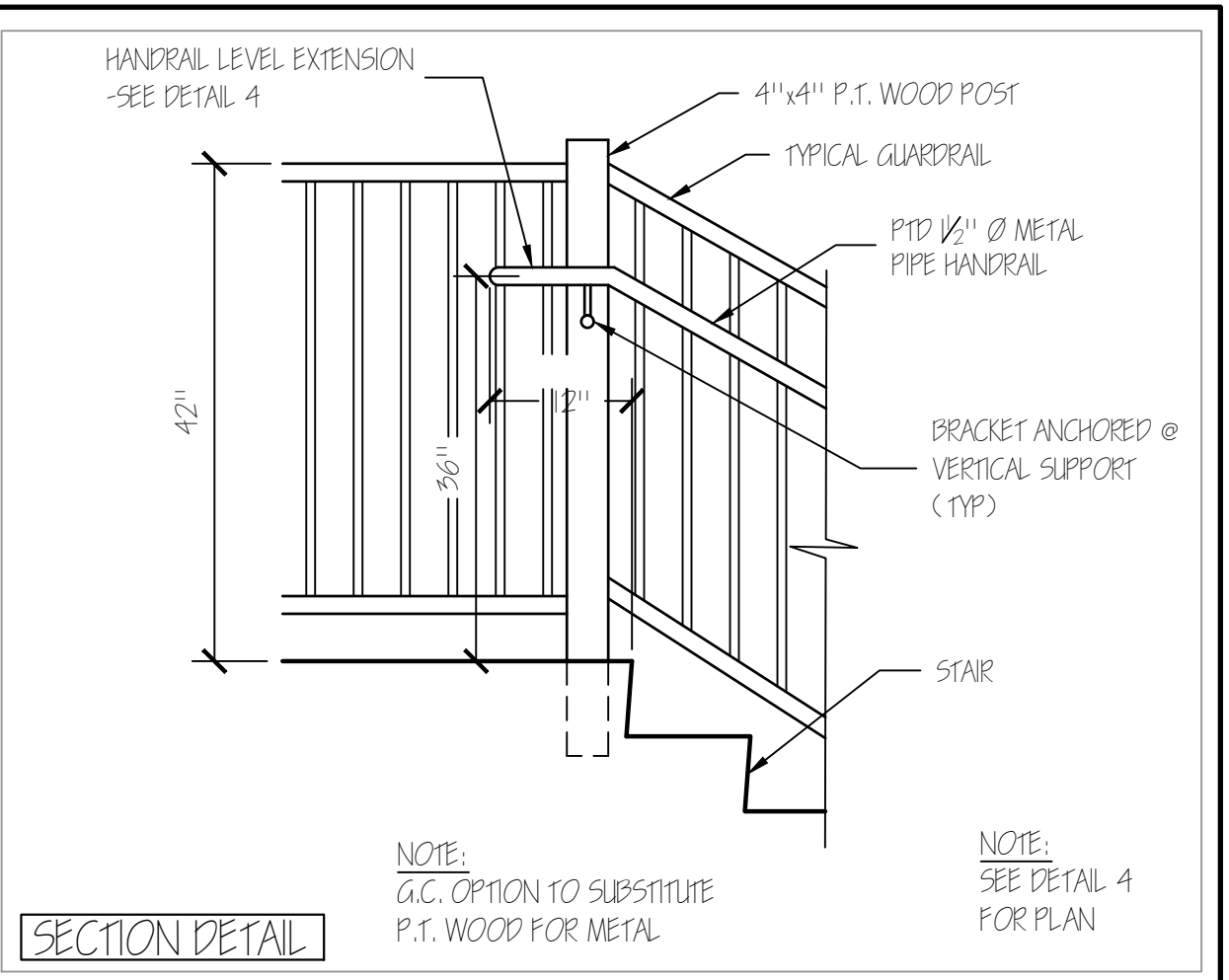
2 TYPICAL EXTERIOR GUARDRAIL 3" = 1'-0"



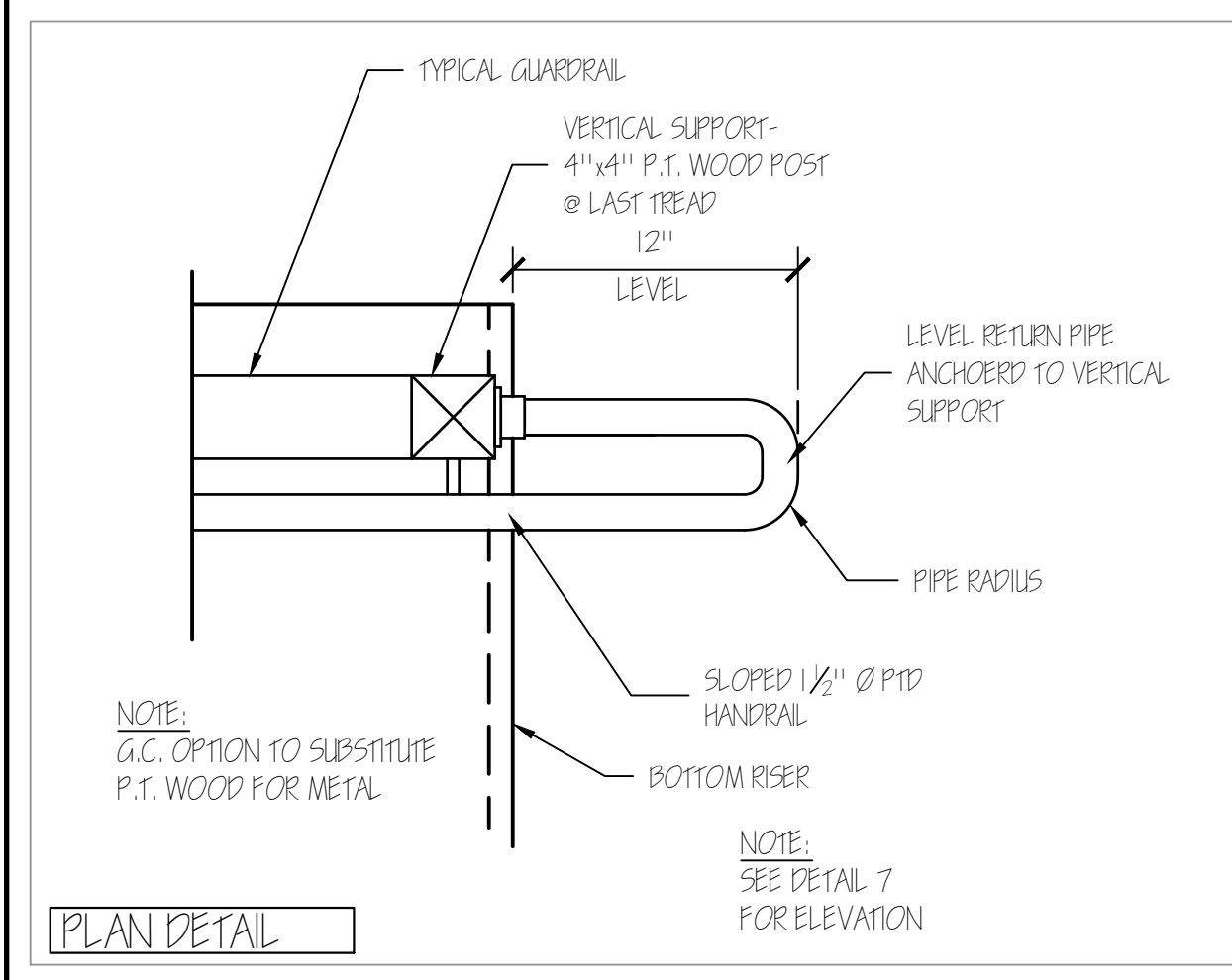
3 TYPICAL EXTERIOR GUARDRAIL / HANDRAIL 3" = 1'-0"



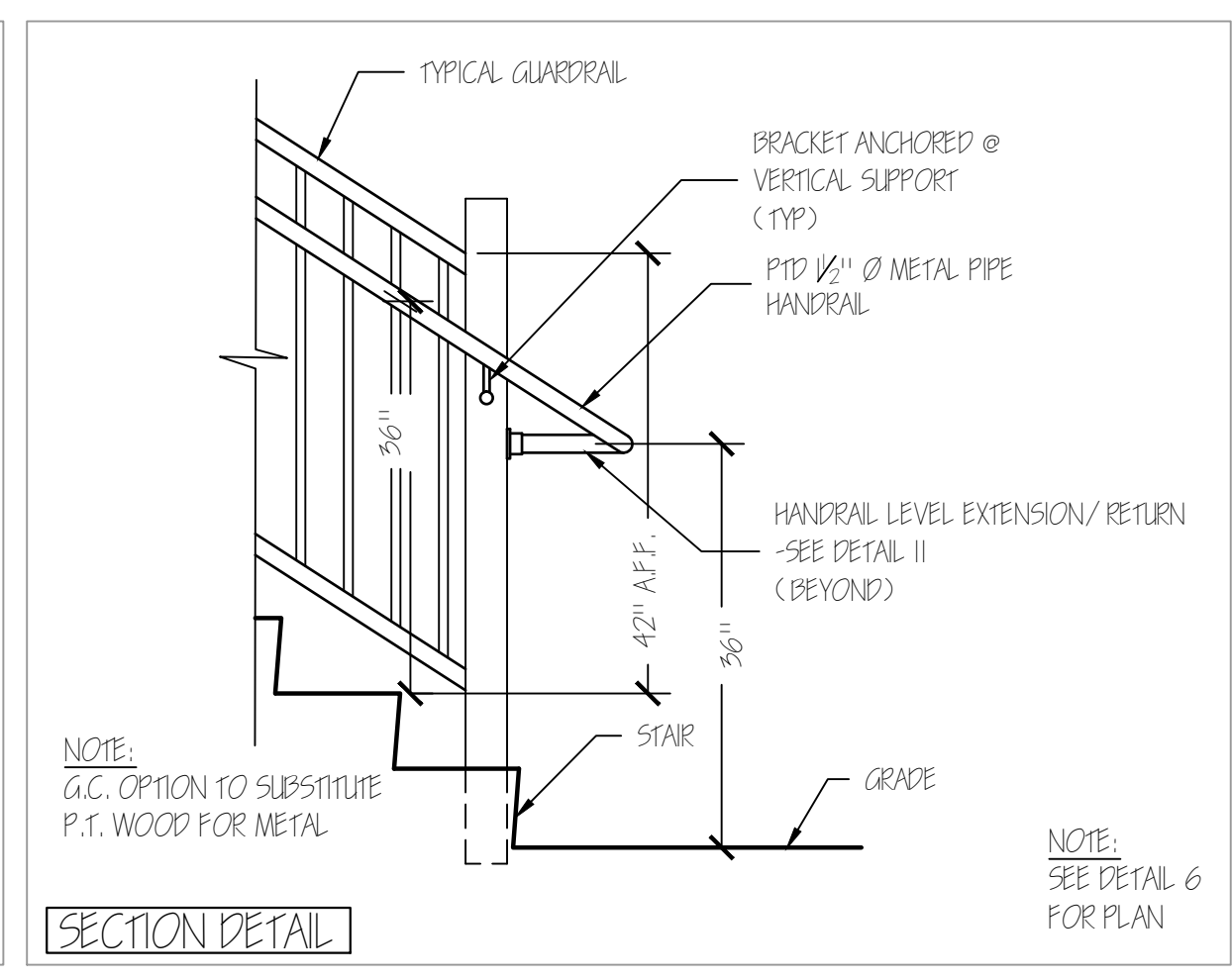
4 HANDRAIL TOP EXTENSION 1 1/2" = 1'-0"



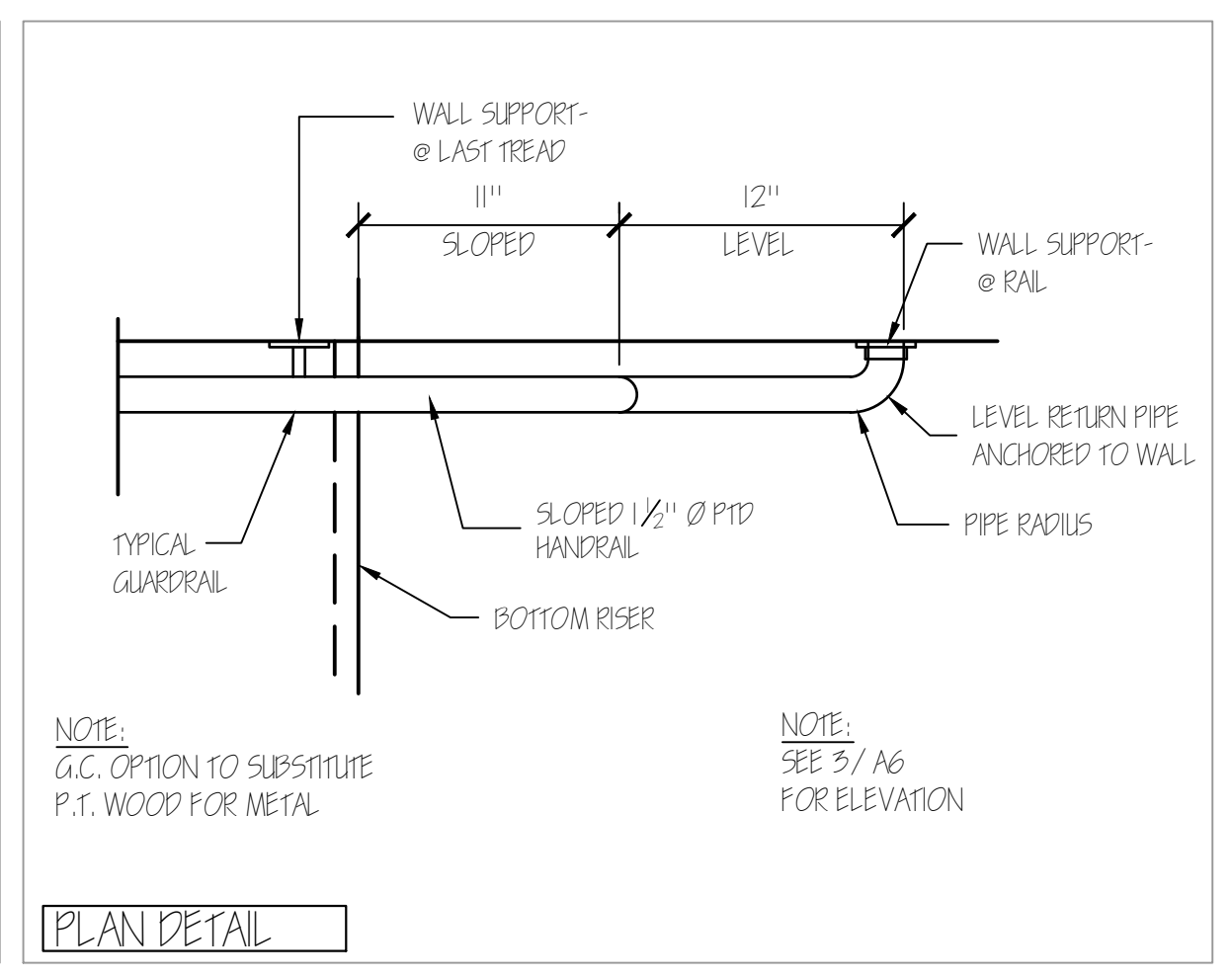
5 HANDRAIL TOP EXTENSION @ GUARDRAIL 3/4" = 1'-0"



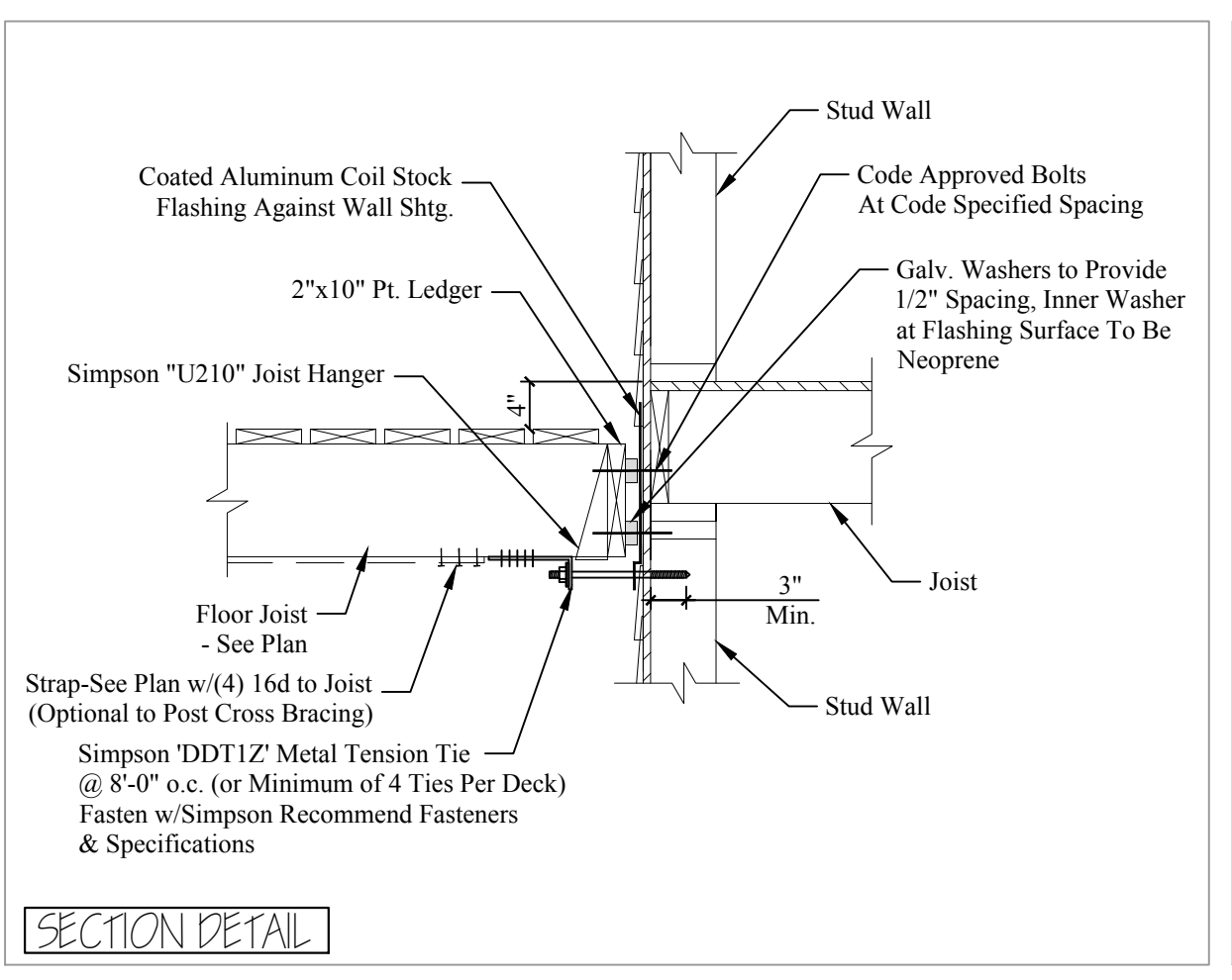
6 HANDRAIL BOTTOM EXTENSION 1 1/2" = 1'-0"



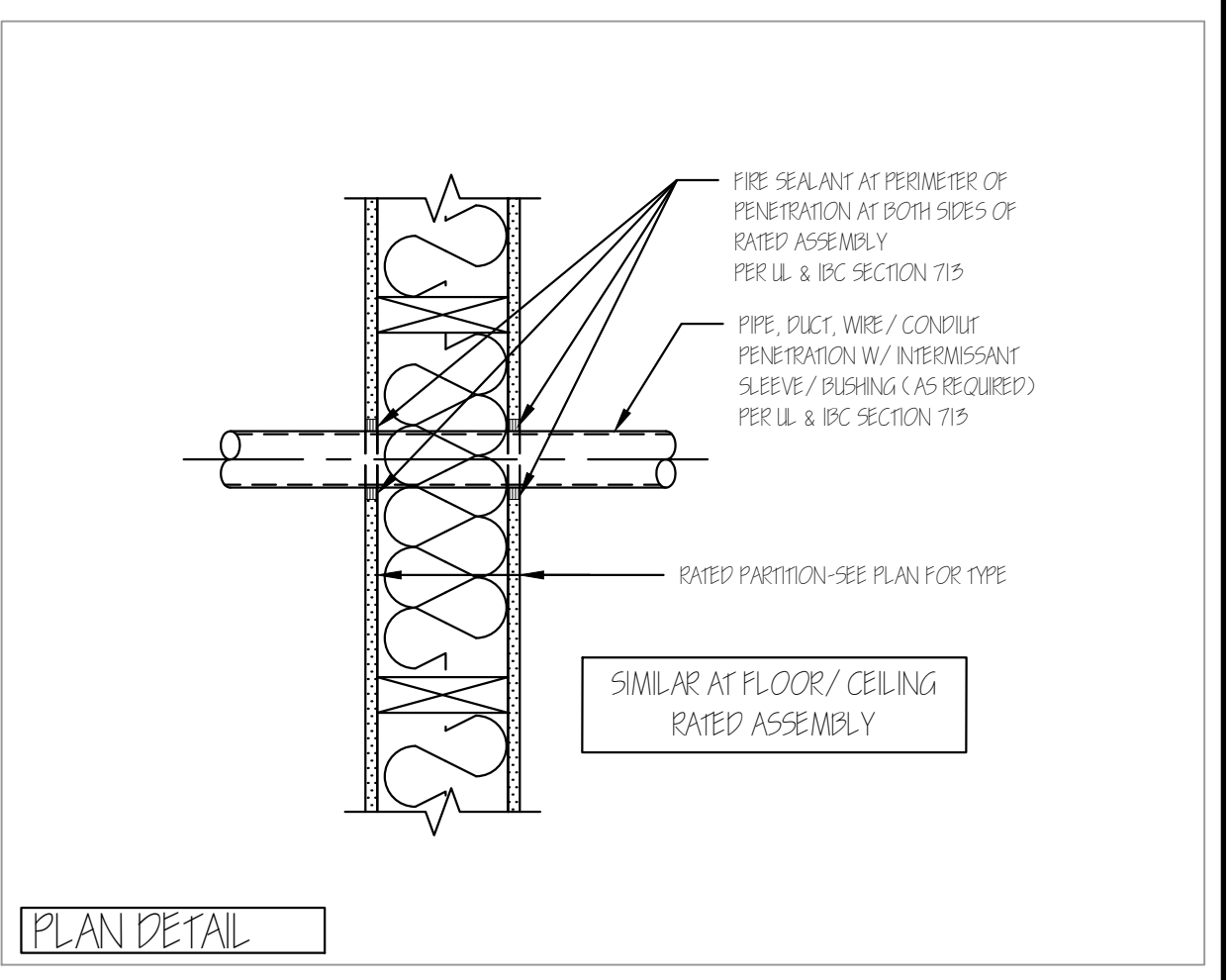
7 HANDRAIL BOTTOM EXT. @ GUARDRAIL 3/4" = 1'-0"



8 HANDRAIL BOTTOM EXT. @ WALL 3/4" = 1'-0"



9 TYPICAL DECK CONNECTION AT EXT. WALL 3/4" = 1'-0"



10 FIRE SEALANT AT PENETRATIONS 1 1/2" = 1'-0"