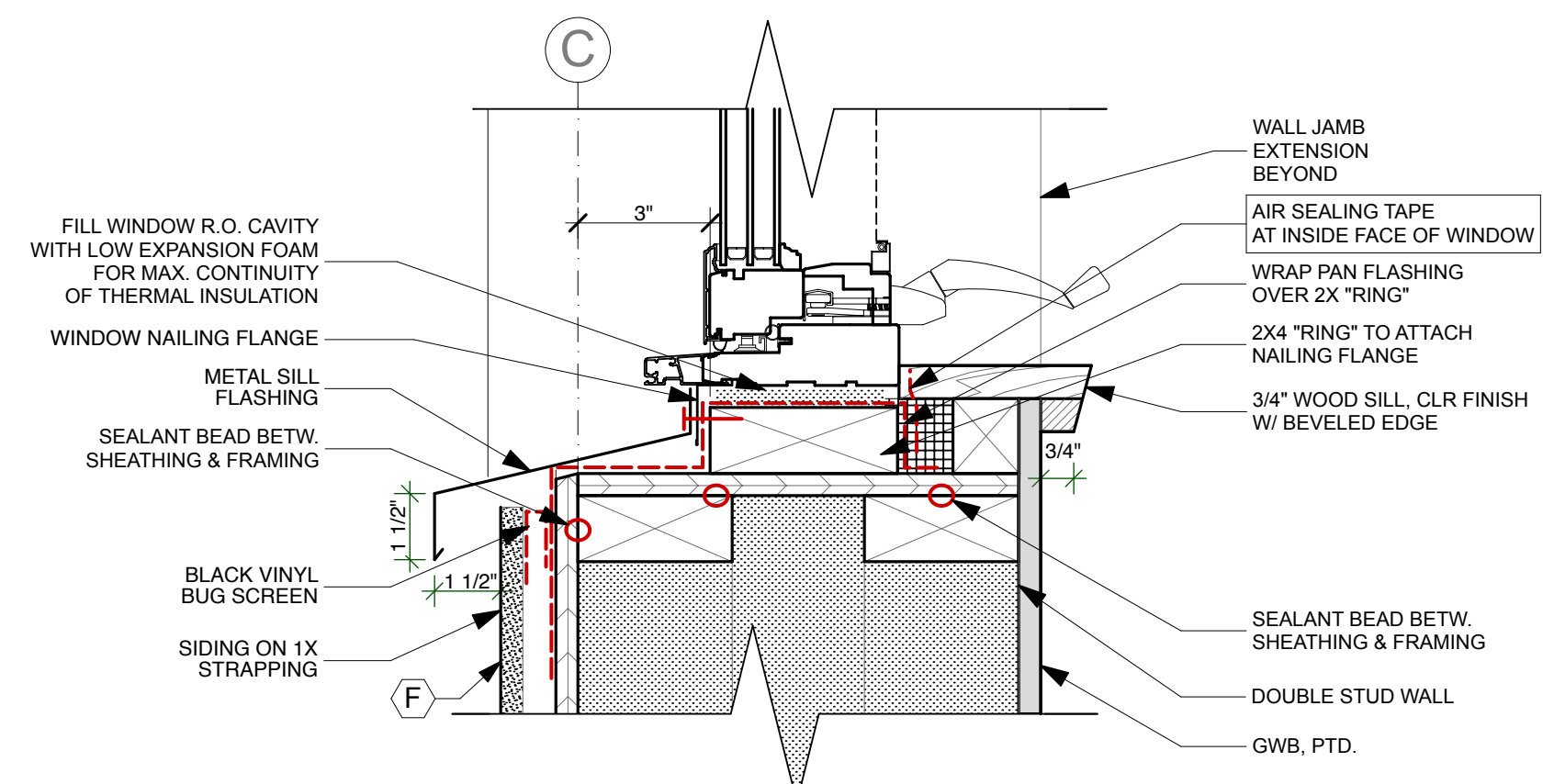
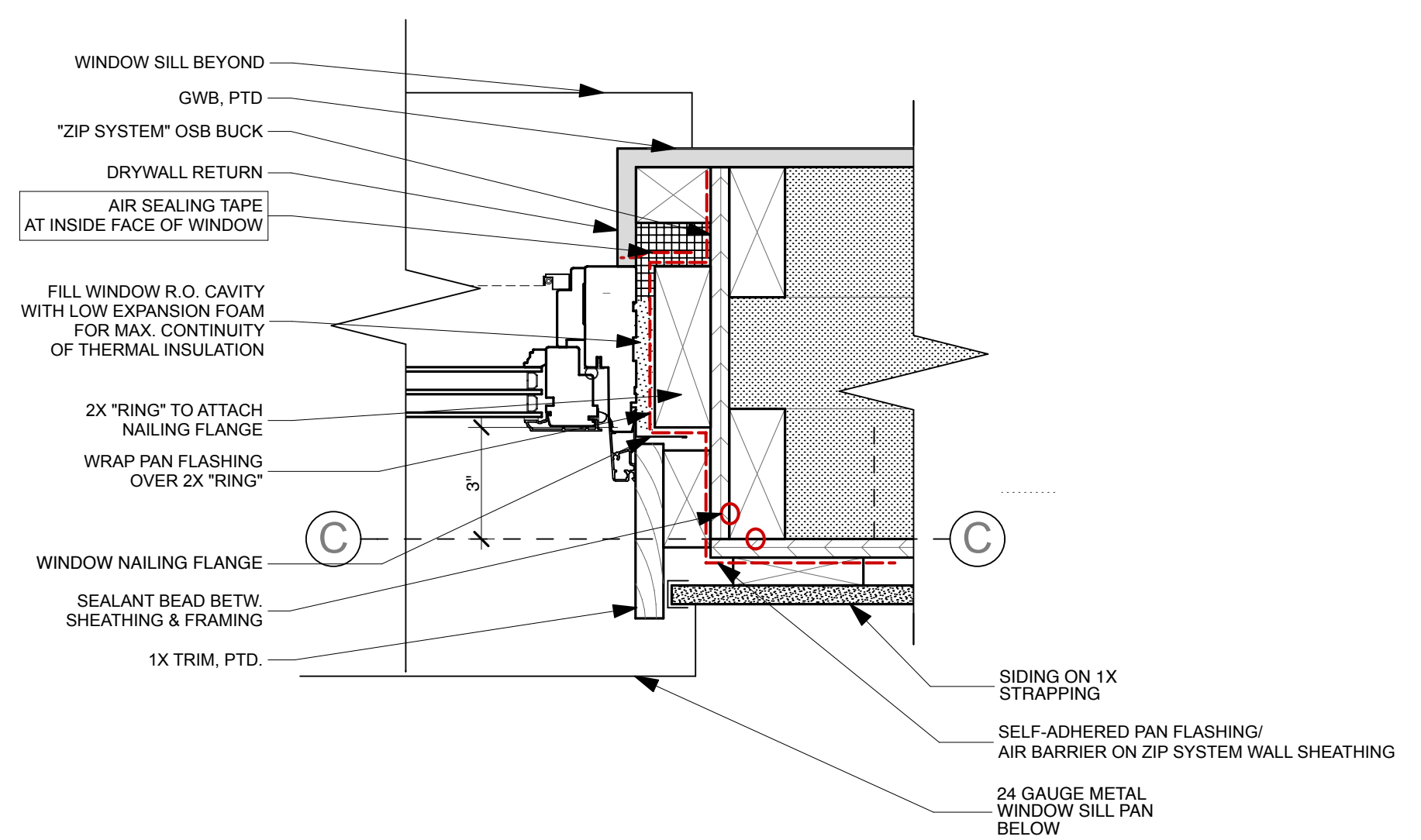


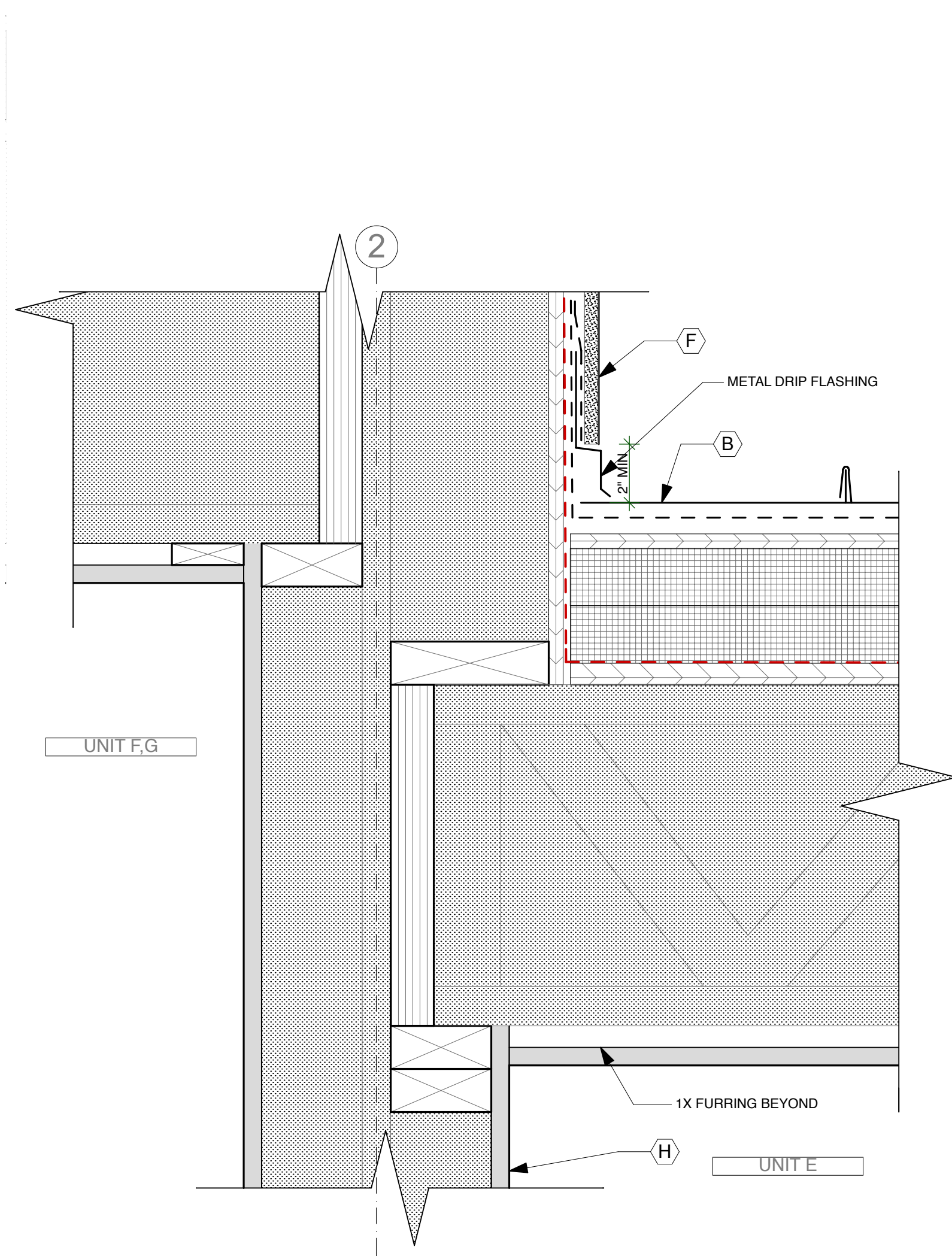
8 SUNSHADE & WINDOW HEAD
SCALE: 3" = 1'-0"



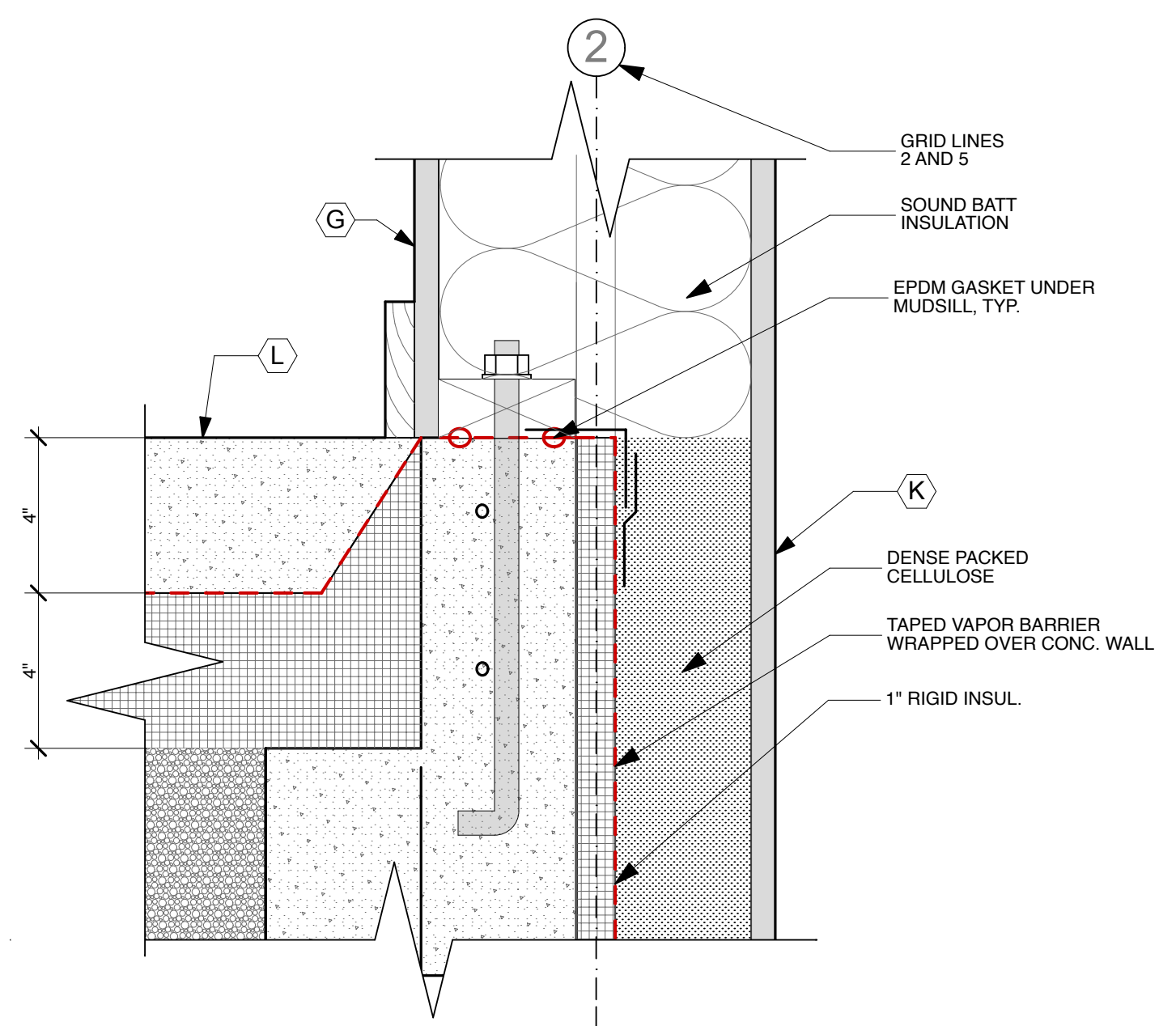
7 WINDOW SILL DETAIL
SCALE: 3" = 1'-0"



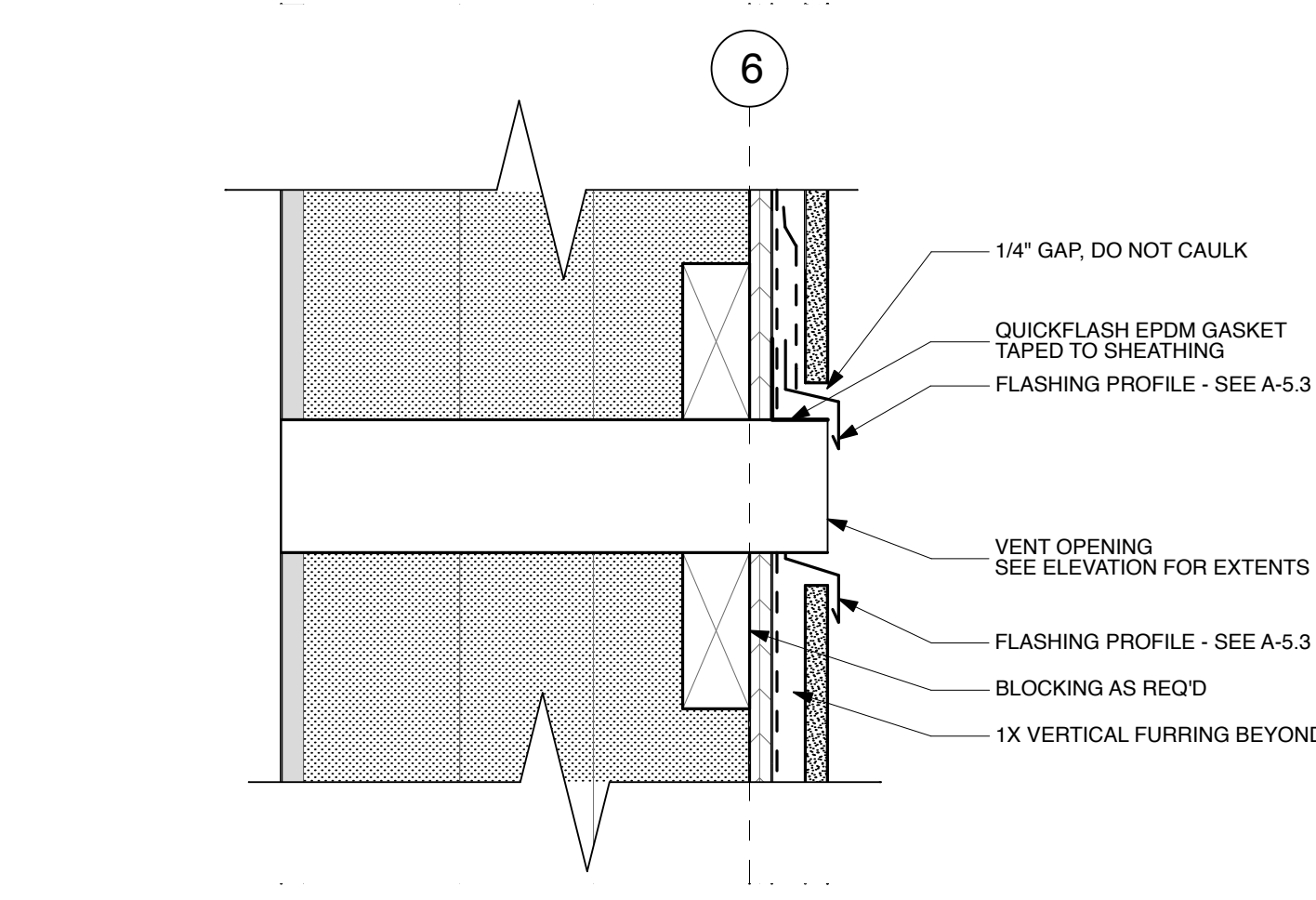
6 WINDOW JAMB DETAIL
SCALE: 3" = 1'-0"



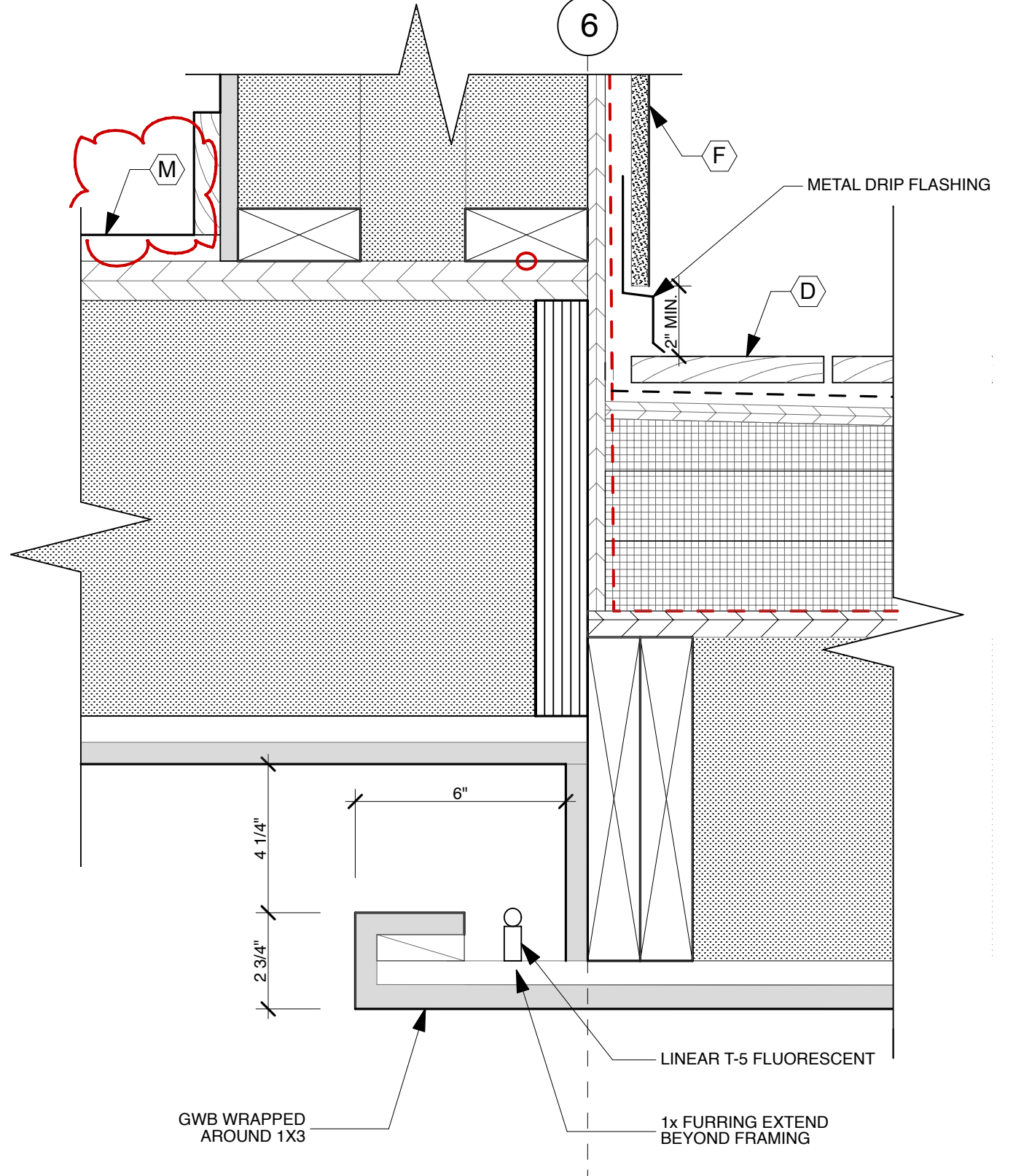
5 PARTY WALL - INTERIOR ROOF
SCALE: 3" = 1'-0"



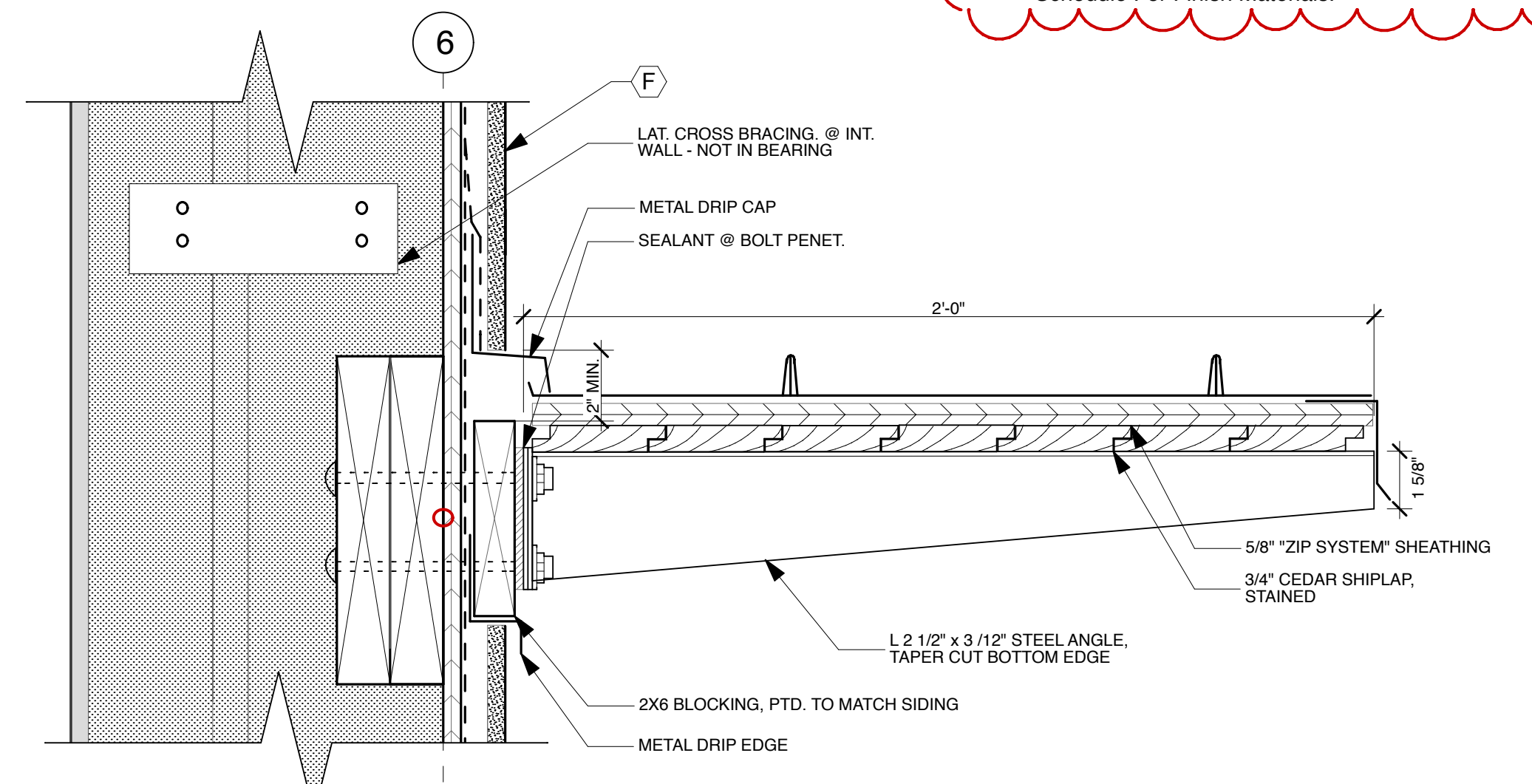
4 FOUNDATION WALL
SCALE: 3" = 1'-0"



3 FIXTURE PENETRATION DETAIL
SCALE: 3" = 1'-0"



2 LIGHT COVE
SCALE: 3" = 1'-0"



1 DOOR CANOPY
SCALE: 3" = 1'-0"

ASSEMBLY NOTES

- A FLAT ROOF: ~R-68 Fully Adhered T.P.O. Membrane Roof System, On 1/2" Protection Board, On Tapered Polyiso. Insulation, On Non-Tapered Polyiso. Insulation (R-25 avg.), On "Zip System Roof Sheathing" w/ Taped Seams (See Struct.) On Open Web Joists (See Struct.) filled w/ Dense Pack Cellulose Insulation (R-43), On 5/8" Type X GWB Ceiling. See Interior Finish Schedule for Finish Materials.
- B SHED ROOF: ~R-68 Fully Adhered T.P.O. Membrane Roof System, On 1/2" Protection Board, On Non-Tapered Polyiso. Insulation (R-25 avg.), On "Zip System Roof Sheathing" w/ Taped Seams (See Struct.) On Open Web Joists (See Struct.) filled w/ Dense Pack Cellulose Insulation (R-50), On 5/8" Type X GWB Ceiling. See Interior Finish Schedule for Finish Materials.
- C SHED ROOF (@ EAVE): Fully Adhered T.P.O. Membrane Roof System, On 1/2" Protection Board, On Non-Tapered Polyiso. Insulation (R-25 avg.), On Roof Sheathing (See Struct.), On 2x framing (See Struct.), on Soffit Material. See Interior Finish Schedule for Finish Materials.
- D ROOF DECK: ~R-58 1x Decking (Alt. Synth. Decking), On Reverse Tapered 2x Sleepers @ 16 O.C., On Fully Adhered T.P.O. Membrane Roof System, On 1/2" Protection Board, On Tapered Polyiso. Insulation, On Non-Tapered Polyiso. Insulation (R-25 avg.), On "Zip System Roof Sheathing" w/ Taped Seams (See Struct.), On Open Web Joists (See Struct.) filled w/ Dense Pack Cellulose Insulation (R-34), on 5/8" Type X GWB Ceiling. See Interior Finish Schedule for Finish Materials.
- F EXTERIOR WALL: ~R-36 Exterior Siding Type S1, S2 or S3 (See Elevations for Extents), On Rainscreen (1x3 K.D. strapping or "Home Slicker" - see siding type for extents, incl. black vinyl bug screen), On Weather Resistant Barrier (WRB) On 1/2" "Zip System Wall Sheathing" w/ Taped Seams, On 10" Double Stud Wall (See Struct.) w/ Full-Depth Dense-Packed Cellulose (R-36), on 5/8" Type X GWB. See Interior Finish Schedule for Finish Materials.
- G PARTY WALL Type 1: Interior/Interior ~SIC Rating: 45 Double 2 x 4 Wall (8") w/ Min. Formaldehyde-Free Batt Insulation One Side w/ 5/8" Type X GWB both sides.
- H PARTY WALL Type 2: Exterior/Interior ~R-36 Exterior Siding Type S1, S2 or S3 (See Elevations for Extents), On Rainscreen (1x3 K.D. strapping or "Home Slicker" - see siding type for extents), On Weather Resistant Barrier (WRB) On 1/2" "Zip System Wall Sheathing" w/ Taped Seams, On Type X GWB, On 10" Double Stud Wall (See Struct.) w/ Full-Depth Dense-Packed Cellulose (R-36), on 5/8" Type X GWB. See Interior Finish Schedule for Finish Materials. Type X GWB both sides.
- J PARTY WALL Type 3: Parapet Wall ~Uninsulated SAME ASSEMBLY BOTH SIDES: Exterior Siding Type 1, 2 or 3 (See Elevations for Extents), On Rainscreen (1x3 K.D. strapping or "Home Slicker" - see siding type for extent), On Weather Resistant Barrier (WRB) On 1/2" "Zip System Wall Sheathing" w/ Taped Seams, On Type X GWB, On 10" Double Stud Wall (See Struct.)
- K CONC. FOUND. WALL @ Grade Change: ~R-17 Free Draining Backfill, on Fluid-Applied Damproofing, On Reinforced Concrete Retaining Wall (See Struct.) On 1" Rigid Insul., On Min. 15 Mil. Vapor Barrier Taped & Sealed, On 2x Framing w/ Dense Pack Cellulose, On 5/8" Type X GWB, On Interior Finish. See Interior Finish Schedule for Finish Materials.
- L INTERIOR SLAB ON GRADE: ~R-16 Sealed Reinforced 4" Concrete slab (see struct), On 15 Mil. min. Poly Vapor Barrier Taped and Sealed, On 4" Rigid EPS Insulation, On 6" Crushed Gravel fill (No Fines).
- M INTERIOR FRAMED FLOORS: Finish Floor Material (See Interior Finish Schedule), On Structural Floor Sheathing (See Struct.), On Floor Joists (See Struct.), On 5/8" Type X GWB Ceiling. See Interior Finish Schedule For Finish Materials.