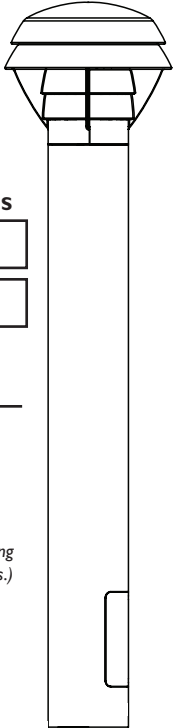


Job:  
 Type:  
 Notes:

# BOLLARD LED

## Round Full Cutoff Bollard BR840 Series

The Philips Gardco LED Bollard family features the round full cutoff bollard, the BR840 series. This sleek series features LEDs concealed below cast louvers to provide down lighting for landscape and pathway applications. The BR840 series features 4" diameter extruded aluminum shafts. Available mountings include the standard shaft, with a welded cast base mounted firmly to anchor bolts. The BR840 series also is available with a galvanized steel base tenon reinforced shaft (BR842) for applications requiring additional support, such as schools. BR840 series bollards provide full cutoff performance.



PREFIX	HEIGHT	LED CONTROL	LED SELECTION	LIGHTED COVERAGE / LED WATTAGE	VOLTAGE	FINISH	OPTIONS
<input type="text"/>	<input type="text"/>	<input type="text"/>	<input type="text"/>	<input type="text"/>	<input type="text"/>	<input type="text"/>	<input type="text"/>

Enter the order code into the appropriate box above. Note: Gardco reserves the right to refuse a configuration. Not all combinations and configurations are valid. Refer to notes below for exclusions and limitations. For questions or concerns, please consult the factory.

PREFIX	HEIGHT
<b>BR840</b>	Standard Shaft
<b>BR841</b>	Head Only
<b>BR842</b>	School Bollard Reinforced Shaft with Galvanized Steel Tenon

LED CONTROL
<b>CWL</b> Constant Wattage Full Light Output Full wattage and light output only.
<b>DIM</b> 0 - 10V Dimming Dimming controls by others. The dimming driver utilized permits dimming control via a potentiometer (by others) or via 0 - 10V control (by others.) Consult installation instructions for more information.

LED SELECTION	LIGHTED COVERAGE / LED WATTAGE
<b>CW</b> 5,700°K, 75CRI	360° lighted louvers - 14 LEDs
<b>NW</b> 4,000°K, 75CRI	360 - 10 10 watts at 225mA
<b>WW</b> 3,000°K, 75CRI	360 - 18 18 watts at 350mA
	360 - 26 26 watts at 450mA

VOLTAGE
<b>UNIV</b> 120V through 277V, 50hz to 60hz input.

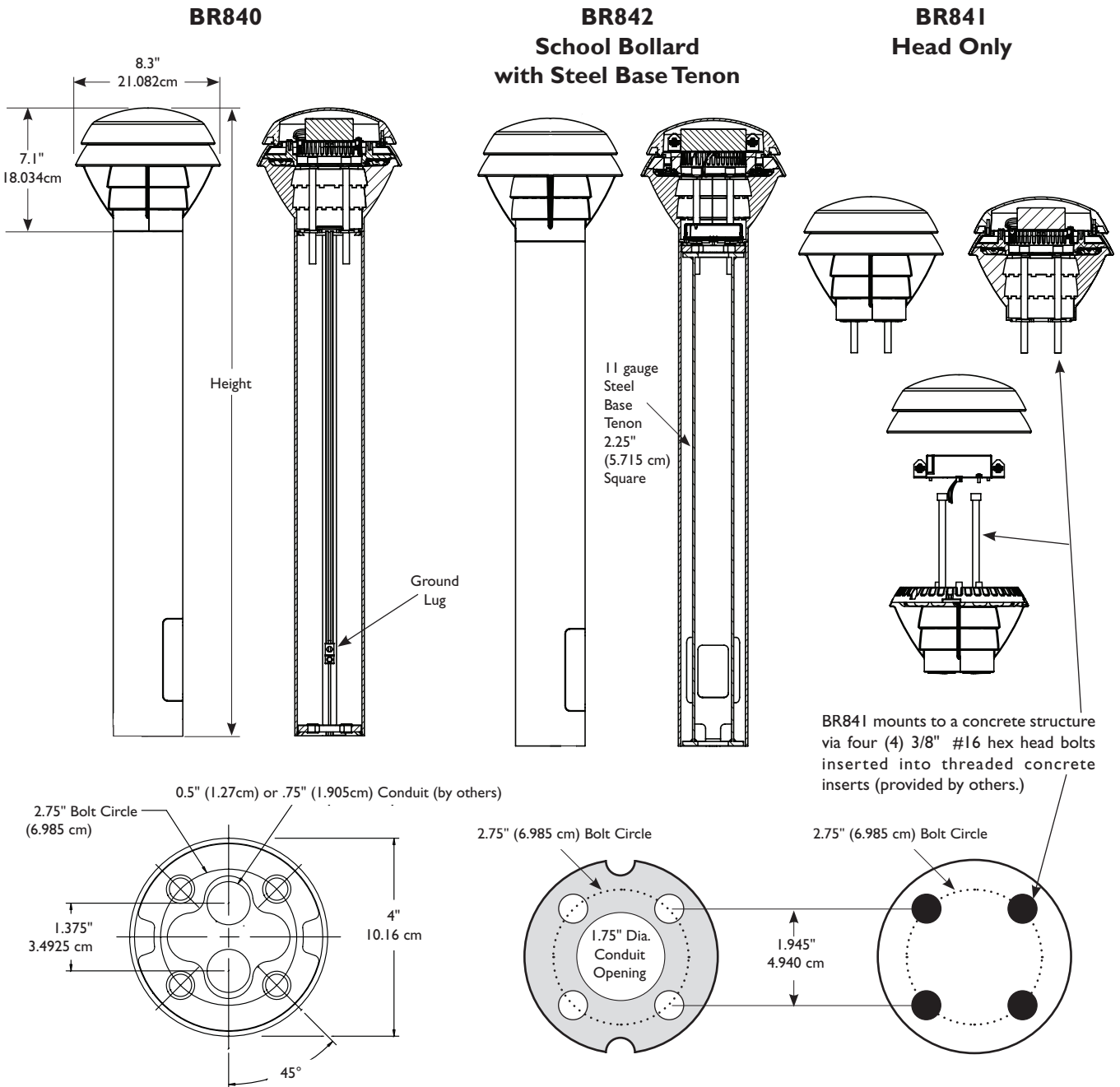
Solid Colors	LIGHTED COVERAGE / LED WATTAGE
<b>LA</b> Amber	180° lighted louvers - 7 LEDs <sup>1,2</sup> (Provides reduced backside light.)
	180 - 10 10 watts at 450mA
	180 - 18 18 watts at 700mA

1. 180° achieved by populating half of LEDs.  
 2. 180° distributions include an internal house side shield to limit the amount of backlight.

FINISH	OPTIONS
<b>BRP</b> Bronze Paint	<b>OC</b> Optional Color Paint Specify RAL designation as ex: OC-RAL7024.
<b>BLP</b> Black Paint	<b>SC</b> Special Color Paint Specify. Must supply color chip.
<b>WP</b> White Paint	<b>PCB<sup>3</sup></b> Button Photocontrol
<b>NP</b> Natural Aluminum Paint	<b>SPR</b> Surge Protector

3. Not available in BR841.

## DIMENSIONS



**NOTE:** Factory supplied template must be used when setting anchor bolts. Philips Gardco will not honor any claim for incorrect anchorage placement from failure to use factory supplied templates.

1611 Clovis Barker Road, San Marcos, TX 78666  
(800) 227-0758 (512) 753-1000 FAX: (512) 753-7855 [sitelighting.com](http://sitelighting.com)

© 2011 Koninklijke Philips Electronics N.V. All Rights Reserved.

Philips Gardco reserves the right to change materials or modify the design of its product without notification as part of the company's continuing product improvement program.

G200-020/0511

**PHILIPS**

**GARDCO**

**SPECIFICATIONS**

**UPPER HOUSING:** Die cast aluminum upper housing featuring shielding louvers to provide down light.

**LOWER HOUSING:**

**BR840 :** The lower housing assembly consists of a .140" wall by 4" diameter high strength 6063-T6 extruded aluminum section incorporating a flush, weather-tight gasketed hand hole cover.

**BR41 :** Louver head assembly is suitable for attachment to architectural elements (by others).

**BR842 :** The lower housing assembly consists of a .140" wall by 4" diameter high strength 6063-T6 extruded aluminum section, incorporating a flush, weather-tight gasketed hand hole cover, for placement over the galvanized steel tenon support structure. Tenon support structure is made from a .12" thick wall, 11 gauge steel, 2.25" square tube, welded to top and bottom round steel support plates. The steel tenon support structure includes an opening aligned with the aluminum shaft hand hole to permit wiring. The entire steel tenon support structure is hot dipped galvanized after fabrication.

**LED PERFORMANCE:**

PREDICTED LUMEN DEPRECIATION DATA <sup>4</sup>		
Ambient Temperature °C	Driver mA	L <sub>70</sub> Hours <sup>5</sup>
25 °C	225	230,000
	350	220,000
	450	165,000
	700	150,000
40 °C	225	212,000
	350	188,000
	450	150,000
	700	137,000

4. Predicted performance derived from LED manufacturer's data and engineering design estimates, based on IESNA LM-80 methodology. Actual experience may vary due to field application conditions.  
5. L<sub>70</sub> is the predicted time when LED performance depreciates to 70% of initial lumen output.

**OPTICAL SYSTEM:** Philips Gardco LED Bollards feature advanced Philips Gardco LED technology, assuring maximized light output. LED arrays are replaceable.

**ANCHORAGE:**

**BR840:** Base assembly consists of an internal welded cast ring section that provides for mounting to the foundation with four (4) 3/8" X 8" X 1 1/2" anchor bolts on a 2 3/4" bolt circle.

**BR841:** The luminaire head mounts to a concrete structure utilizing four (4) 3/8" #16 hex head bolts inserted into threaded concrete inserts (provided by others) on a 2 3/4" bolt circle.

**BR842:** A high strength steel mounting tenon, hot-dip galvanized after fabrication, is secured to the concrete footing with (4) 3/8" x 8" x 1 1/2" anchor bolts on a 2 3/4" bolt circle.

**IP RATING:** IP66 is the rating for the optical compartment.

**ELECTRICAL:** The LED power supply is located within the bollard head. Bollards accept from 120 Volts through 277 Volts, 50hz to 60 hz, input. supply. The LED driver is located in the upper dome. LED drivers are replaceable. LEDs provided as specified. Power factors is not less than 90%. Luminaires consume 0.0 watts in the off state.

**LUMINAIRE FINISH:** Each luminaire receives a fade and abrasion resistant, electrostatically applied, thermally cured textured powdercoat finish

**LABELS:** All luminaires bear UL or CUL (where applicable) Wet Location labels.

**WARRANTY:** Philips Gardco luminaires feature a 5 year limited warranty. Philips Gardco LED luminaires with LED arrays or modules feature a 5 year limited warranty covering the LED arrays or modules. LED drivers carry a 5 year limited warranty. See Warranty Information on [www.sitelighting.com](http://www.sitelighting.com) for complete details and exclusions.

**FULL CUTOFF PERFORMANCE:** Full cutoff performance means a luminaire distribution where zero candela intensity occurs at an angle at or above 90° above nadir . Additionally, the candela per 1000 lamp lumens does not numerically exceed 100 (10 percent) at a vertical angle of 80° above nadir. This applies to all lateral angles around the luminaire.

Job:  
 Type:  
 Notes:



# 96 Line

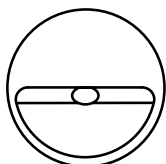
## LED Steplights

The Gardco 96 Line LED steplights are architecturally styled luminaires of minimal scale. The mounting base is precisely constructed of die cast aluminum. Faceplates are available in molded composite or die cast aluminum. The 96 Line was specifically designed for use with LEDs and all types of wall construction. A choice of four (4) architectural shapes allows for a wide variety of applications, in both interior and exterior settings.

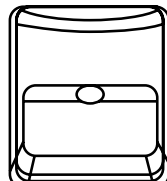
**PREFIX**
**MOUNTING**
**WATTAGE**
**VOLTAGE**
**FINISH**

Enter the order code into the appropriate box above. Note: Gardco reserves the right to refuse a configuration. Not all combinations and configurations are valid. Refer to notes below for exclusions and limitations. For questions or concerns, please consult the factory.

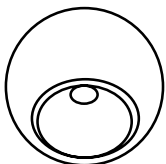
### PREFIX



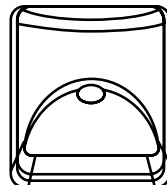
960 Round



962 Square



961 Round



963 Square

96 Line Available Configurations	
Composite Faceplate	Aluminum Faceplate
960C	960A
961C	
962C	962A
963C	

### MOUNTING

**S** Surface mount for wall or ceiling

### WATTAGE

**4** 4 watt LED / 3,000° K / 85 CRI

### VOLTAGE

**UNIV** 120V through 277V (50hz or 60hz)

### FINISH

- BLP** Black (Standard composite material color)
- BRP** Bronze Paint
- WP** White Paint
- NP** Natural Aluminum Paint
- OC** Optional Color Paint  
(Specify RAL designation. ex: OC-RAL7024)
- SC** Special Color Paint  
(Specify. Must supply color chip)



### SPECIFICATIONS

**GENERAL DESCRIPTION:** The Gardco 96 Line LED steplights are architecturally styled luminaires of minimal scale. The mounting base is precisely constructed of die cast aluminum. Faceplates are available in molded composite or die cast aluminum. The 96 Line was specifically designed for use with LEDs and all types of wall construction. A choice of four (4) architectural shapes allows for a wide variety of applications, both inside and outside buildings.

**COVER:** The composite housing cover is molded using high impact resistant, UV stabilized, thermoplastic with an integral, textured surface. The aluminum housing cover is die cast aluminum. Cover is secured to the housing with a hex socket set screw.

#### POWER-PACK BASE ASSEMBLY:

**BASE ASSEMBLY:** The mounting base is constructed of one-piece die cast aluminum and is suitable for mounting over a recessed 3 1/2" or 4" octagonal or 4" square recessed box (supplied by others.) A separate mounting plate is supplied for mounting to a recessed 4" square outlet box.

The mounting base includes an integral bubble level to assist in leveling the luminaire.

**POWER-PACK:** The encapsulated power components are integrated into the mounting base. The permanent Power-Pack includes a single, 4 watt LED attached to a power supply. The complete Power-Pack is replaced at end of LED life.

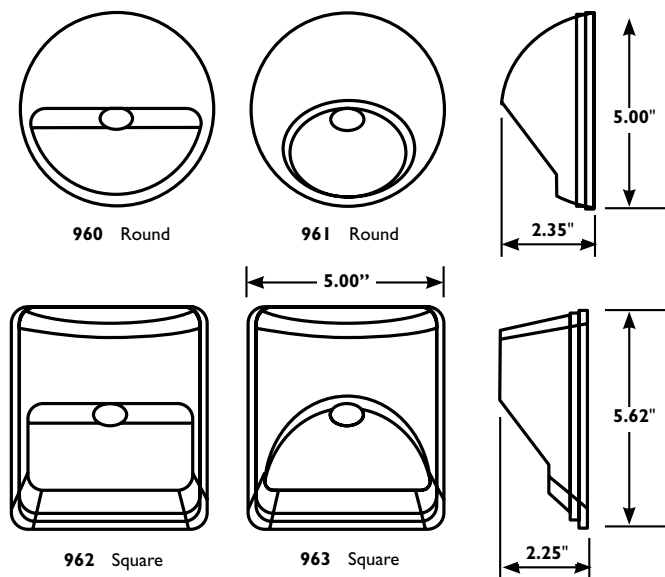
**ELECTRICAL:** 96 Line LED Steplights accept 120 volt through 27V, 50hz or 60hz, input.

**FINISH:** Black (BLP) is permanently molded into the composite BLP housing cover. All other colors are painted using a semi-gloss, liquid polyurethane finish or a TGIC polyester powder coat.

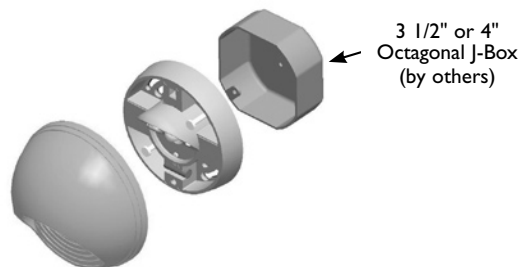
**LABELS:** All luminaires bear U.L. or C.U.L. (where applicable) Wet Location labels.

**WARRANTY:** Gardco luminaires feature a 5 year limited warranty. Gardco LED luminaires with LED arrays or modules feature a 5 year limited warranty covering the LED arrays or modules. See Warranty Information on [www.sitelighting.com](http://www.sitelighting.com) for complete details and exclusions.

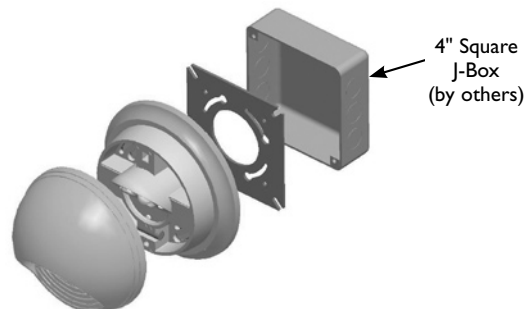
### DIMENSIONS



#### MOUNTING OVER 3 1/2" OR 4" RECESSED OCTAGONAL J-BOX



#### MOUNTING OVER 4" RECESSED SQUARE J-BOX



1611 Clovis Barker Road, San Marcos, TX 78666

(800) 227-0758 (512) 753-1000 FAX: (512) 753-7855 [sitelighting.com](http://www.sitelighting.com)

© 2010 Koninklijke Philips Electronics N.V. All Rights Reserved.

Philips Gardco reserves the right to change materials or modify the design of its product without notification as part of the company's continuing product improvement program.

G200-012/0610

**PHILIPS**

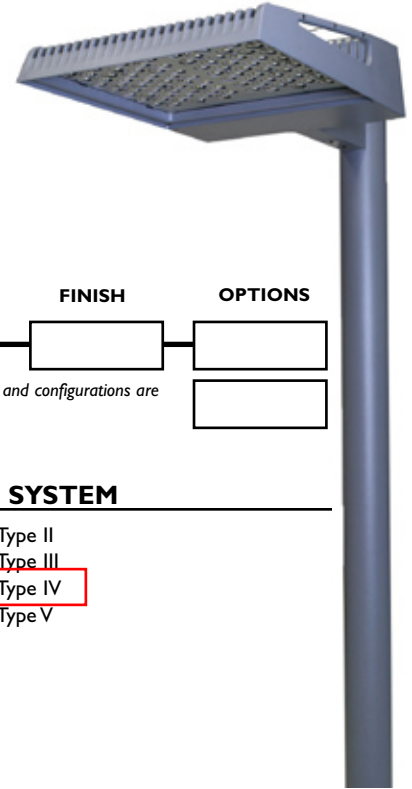


Job:  
Type:  
Notes:

# LED Area Luminaire

Page 1 of 3

Emco LED Area luminaires combine a low profile style with advanced LED performance and thermal management technology to deliver outdoor area lighting that is as energy efficient and aesthetically pleasing as it is remarkably economical. The housing is one-piece, die cast aluminum and mounts to a pole, utilizing an extruded arm. Additionally, LED Area luminaires mount easily to a wall or to a mast arm while providing smooth visual transitions. LED Area optical systems provide IES Types II, III, IV and V distributions. The luminaires feature state of the art integral thermal control to maximize LED performance and life, and to extend component life. The door frame is single piece die cast aluminum. LED Area luminaires are finished with a fade and abrasion resistant TGIC powdercoat. Emco LED Area luminaires provide full cutoff performance.



PREFIX	MOUNTING	OPTICAL SYSTEM	LED WATTAGE	LED SELECTION	VOLTAGE	FINISH	OPTIONS
<input type="text"/>	<input type="text"/>	<input type="text"/>	<input type="text"/>	<input type="text"/>	<input type="text"/>	<input type="text"/>	<input type="text"/>

Enter the order code into the appropriate box above. Note: Philips Gardco reserves the right to refuse a configuration. Not all combinations and configurations are valid. Refer to notes below for exclusions and limitations. For questions or concerns, please consult the factory.

## PREFIX

- ELA16** 16" LED Area Luminaire  
*(Available 70LA and 110LA only)*
- ELA21** 21" LED Area Luminaire  
*(Available 150LA and 210LA only)*

## MOUNTING

- 1** Single Pole Mount
- 2** Twin Pole Mount at 180°
- 2@90** Twin Pole Mount at 90°
- 3** 3-way Pole Mount at 90°
- 3@120°** 3-way Pole Mount at 120°
- 4** 4-way Pole Mount
- W** Wall Mount, Recessed J-Box
- WS** Wall Mount, Surface Conduit
- MA** Mast Arm Mount *(requires a 2 3/8" mast arm)*

## OPTICAL SYSTEM

- 2** Type II
- 3** Type III
- 4** Type IV
- 5** Type V

## LED WATTAGE AND LUMEN VALUES

Ordering Code	LED Array Quantity	LED Current (mA)	Average System Watts <sup>1</sup>	LED Selection	Luminaire Initial Absolute Lumens <sup>3</sup>						
					TYPE 2		TYPE 3		TYPE 4		TYPE 5
					STANDARD	With HS <sup>2</sup>	STANDARD	With HS <sup>2</sup>	STANDARD	With HS <sup>2</sup>	STANDARD
<b>70LA</b>	1	400	70	CW	4,673	3,396	4,489	3,344	4,638	3,408	4,281
				NW	4,339	3,105	3,988	2,967	4,004	3,128	4,058
<b>110LA</b>	1	600	110	CW	6,713	4,521	6,141	4,529	6,271	4,532	5,804
				NW	5,791	4,150	5,324	3,969	5,303	4,158	5,086
<b>150LA</b>	2	400	150	CW	9,769	7,914	9,163	7,643	9,231	7,817	8,498
				NW	9,007	7,395	8,446	7,036	8,616	7,293	7,825
<b>210LA</b>	2	600	210	CW	11,939	9,841	11,116	9,321	11,447	9,532	10,400
				NW	10,977	8,921	10,346	8,668	10,429	8,895	9,577

1. Wattage may vary by +/- 8% due to LED manufacturer forward volt specification and ambient temperature. Wattage shown is average for 120V through 277V input. Actual wattage may vary by an additional +/- 10% due to actual input voltage. Actual test system wattage is shown in individual IES files on [www.sitelighting.com](http://www.sitelighting.com).  
2. HS values shown are for luminaires that include the HS external shield option.  
3. LED arrays feature LEDs that provide 100 lumens per watt when operated at 350 mA. Lumen values based on photometric tests performed in compliance with IESNA LM-79.

## LED SELECTION

- CW** Cool White - 6000°K - 75 CRI
- NW** Neutral White - 4000°K - 75 CRI
- WW** Warm White - 3000°K - 75 CRI

## VOLTAGE

- UNIV** 120V through 277V, 50hz or 60hz
- HVU** 347V through 480V, 50hz or 60hz  
*Available in 110LA or 210LA ONLY.*

1611 Clovis Barker Road, San Marcos, TX 78666  
(800) 227-0758 (512) 753-1000 FAX: (512) 753-7855 [sitelighting.com](http://www.sitelighting.com)

© 2011 Koninklijke Philips Electronics N.V. All Rights Reserved.

Philips Gardco reserves the right to change materials or modify the design of its product without notification as part of the company's continuing product improvement program.

E200-002/0311



## FINISH

<b>BRP</b>	Bronze Paint
<b>BLP</b>	Black Paint
<b>WP</b>	White Paint
<b>NP</b>	Natural Aluminum Paint
<b>OC</b>	Optional Color Paint <i>Specify Optional Color or RAL ex: OC-LGP or OC-RAL7024.</i>
<b>SC</b>	Special Paint <i>Specify. Must supply color chip.</i>

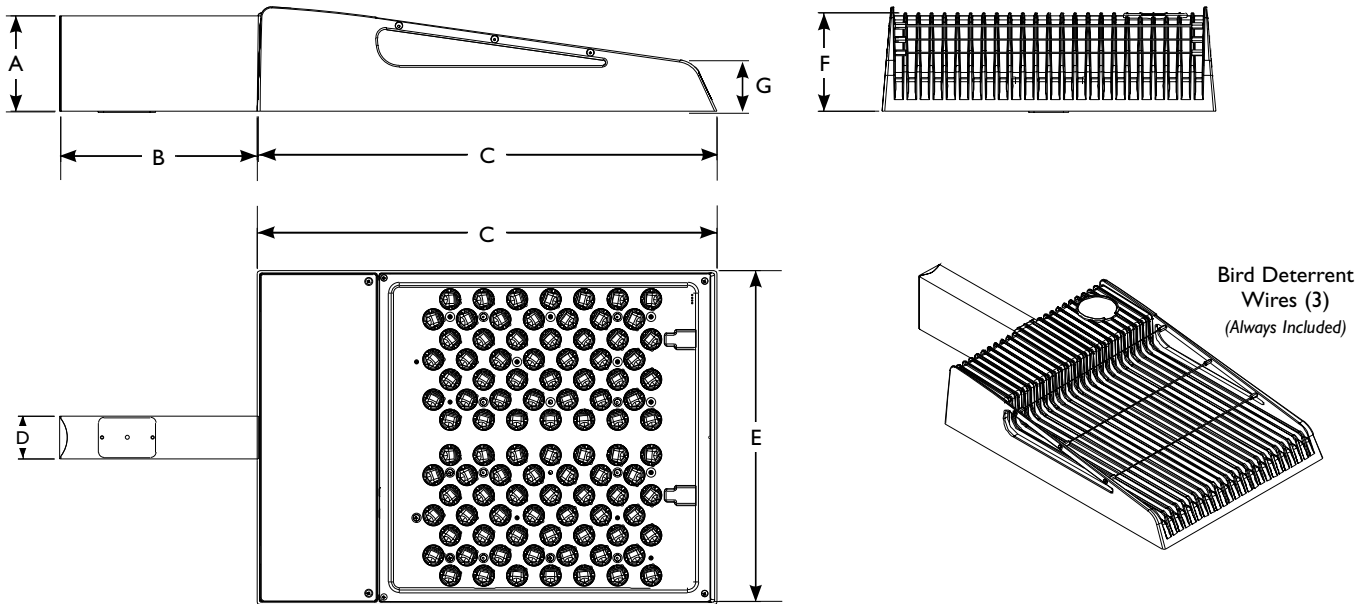
## OPTIONS

<b>F<sup>4</sup></b>	Fusing In Head
<b>LF</b>	In-Line/In-Pole Fusing
<b>PC<sup>4</sup></b>	Photocontrol and Receptacle
<b>PCR</b>	Photocontrol Receptacle only
<b>HS</b>	External Houseside Shield
<b>PTF2</b>	Pole Top Fitter - 2 3/8" - 2 7/8" Dia. Tenon
<b>PTF3</b>	Pole Top Fitter - 3" - 3 1/2" Dia. Tenon
<b>PTF4</b>	Pole Top Fitter - 3 1/2" - 4" Dia. Tenon
<b>DL</b>	Diffusing Lens ( <i>reduces performance significantly</i> )
<b>SPR<sup>5</sup></b>	Surge Protection for 120V through 277V Input
<b>DCC<sup>6</sup></b>	Dual Circuit - LED Array Control

4. Provide specific input voltage.
5. Not available with Fusing (F) option.
6. ELA21" only. Provides dual level control capability. Each LED Array can be switched or circuited separately.

## DIMENSIONS AND EPA (see also page 3)

### Arm Mount - Direct to Pole



Dimensions	ELA16"	ELA21"
A	4.5" / 11.43 cm	4.5" / 11.43 cm
B	6.28" / 15.95 cm	9.28" / 23.57 cm
C	16.53" / 41.99 cm	21.52" / 54.66 cm
D	2" / 5.08 cm	2" / 5.08 cm
E	15.2" / 38.61 cm	15.7" / 39.88 cm
F	4.6" / 11.68 cm	4.6" / 11.68 cm
G	1.53" / 3.89 cm	1.53" / 3.89 cm

	Effective Projected Area (EPA)			Approximate Weight - Single Luminaire
	Single	Twin	3/4	
<b>ELA16"</b>	.87 ft <sup>2</sup>	1.74 ft <sup>2</sup>	2.49 ft <sup>2</sup>	21 lbs 9.53 kg
	.081 m <sup>2</sup>	.162 m <sup>2</sup>	.232 m <sup>2</sup>	
<b>ELA21"</b>	.95 ft <sup>2</sup>	1.9 ft <sup>2</sup>	2.79 ft <sup>2</sup>	31 lbs 14.07 kg
	.089 m <sup>2</sup>	.177 m <sup>2</sup>	.26 m <sup>2</sup>	

1611 Clovis Barker Road, San Marcos, TX 78666

(800) 227-0758 (512) 753-1000 FAX: (512) 753-7855 [sitolighting.com](http://sitolighting.com)

© 2011 Koninklijke Philips Electronics N.V. All Rights Reserved.

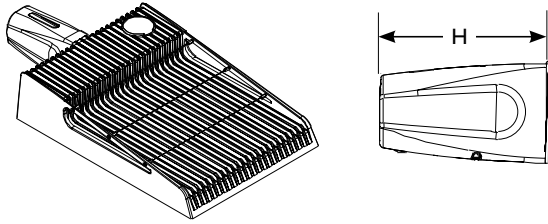
Philips Gardco reserves the right to change materials or modify the design of its product without notification as part of the company's continuing product improvement program.

E200-002/0311



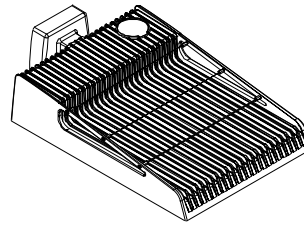
## ADDITIONAL MOUNTINGS

### Mast Arm Mount



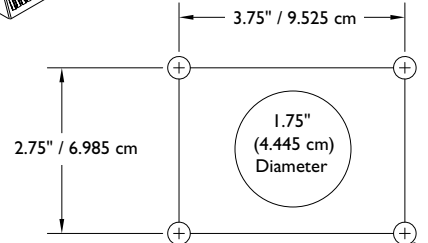
Dimension	
H	7.8" / 19.812 cm

### Wall Mount



Wall Bracket Height = 7.25" / 18.415 cm  
Width from Wall = 2.59" / 6.579 cm

Wall Mounting Plate Bolt Pattern



Wall Mounting Plate may be mounted over (not to) a recessed j-box (by others) and in all cases must be properly supported to structure as indicated. Surface conduit mount requires conduit entry from below. See installation instruction sheets on [www.sitelighting.com](http://www.sitelighting.com) for more details.

NOTE: Wall mounting bracket is secured to wall with 3/8" (.9525 cm) studs or bolts (by others.) Structural members must be present in wall to accept bolts. Holes for 3/8" Studs or Bolts (by others)

## SPECIFICATIONS

**GENERAL DESCRIPTION:** Emco LED Area luminaires combine a low profile style with advanced LED performance and thermal management technology to deliver outdoor area lighting that is as energy efficient and aesthetically pleasing as it is remarkably economical.

**HOUSING:** The housing is one-piece, die cast aluminum and mounts to a pole, utilizing an extruded arm. Additionally, LED Area luminaires mount easily to a wall or to a mast arm while providing smooth visual transitions.

**LED THERMAL MANAGEMENT:** The LED Area luminaire design provides die cast aluminum integral thermal radiation fins to provide the excellent thermal management so critical to long LED system life.

### LED PERFORMANCE:

PREDICTED LUMEN DEPRECIATION DATA <sup>7</sup>		
Ambient Temperature °C	LED Wattages/ Driver mA	L <sub>70</sub> Hours <sup>8</sup>
25 °C	70LA / 150LA / 400	100,000
	110LA / 210LA / 600	75,000
40 °C	70LA / 150LA / 400	65,000
	110LA / 210LA / 600	50,000

7. Predicted performance derived from LED manufacturer's data and engineering design estimates, based on IESNA LM-80 methodology. Actual experience may vary due to field application conditions.

8. L<sub>70</sub> is the predicted time when LED performance depreciates to 70% of initial lumen output.

**OPTICAL SYSTEMS:** Lensed LED arrays are set to achieve IES Type II, Type III, Type IV and Type V distributions. Individual LED arrays are replaceable. Type II, Type III and Type IV optics on 21" luminaires only may be rotated in 90° increments.

**ELECTRICAL:** Luminaires are equipped with an LED driver that accepts 120V through 277V or 347V through 480V, 50hz to 60hz, input. 347V through 480V input is available on the 110LA or 210LA LED wattages only. Driver output is based on the LED wattage selected. Component-to-component wiring within the luminaire will carry no more than 80% of rated current and is listed by UL for use at 600 VAC at 302°F / 150°C or higher. Plug disconnects are listed by UL for use at 600 VAC, 15A or higher. LED board, LED driver and LED array are RoHS compliant. Power factor is not less than 90%. The luminaire consumes 0.0 watts in the off state.

**FINISH:** Each standard color luminaire receives a fade and abrasion resistant, electrostatically applied, thermally cured, triglycidal isocyanurate (TGIC) textured polyester powdercoat finish. Standard colors include bronze (BRP), black (BLP), white (WP), and natural aluminum (NP). Consult factory for specs on optional or custom colors.

**LABELS:** All luminaires bear UL or CUL (where applicable) Wet Location labels.

**WARRANTY:** Emco luminaires feature a 1 year limited warranty. Emco LED luminaires with LED arrays feature a 5 year limited warranty covering the LED arrays. See Warranty Information on [www.sitelighting.com](http://www.sitelighting.com) for complete details and exclusions.

**FULL CUTOFF PERFORMANCE:** Full cutoff performance means a luminaire distribution where zero candela intensity occurs at an angle at or above 90° above nadir. Additionally, the candela per 1000 lamp lumens does not numerically exceed 100 (10 percent) at a vertical angle of 80° above nadir. This applies to all lateral angles around the luminaire.

**CUTOFF PERFORMANCE:** Cutoff performance means a luminaire distribution where the candela per 1000 lamp lumens does not numerically exceed 25 (2.5 percent) at an angle at or above 90° above nadir, and 100 (10 percent) at a vertical angle of 80° above nadir. This applies to all lateral angles around the luminaire.

1611 Clovis Barker Road, San Marcos, TX 78666  
(800) 227-0758 (512) 753-1000 FAX: (512) 753-7855 [sitelighting.com](http://www.sitelighting.com)

© 2011 Koninklijke Philips Electronics N.V. All Rights Reserved.

Philips Gardco reserves the right to change materials or modify the design of its product without notification as part of the company's continuing product improvement program.

E200-002/0311



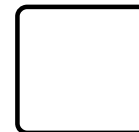


Job:  
 Type:  
 Notes:

# Poles

## 4" Straight Square Steel

The Philips Gardco SSS straight steel pole consists of a one-piece square fabricated steel lighting standard. The carbon steel base plate is secured to the shaft with a continuous circumferential weld providing excellent strength and integrity. The poles are finished with an electrostatically applied, thermally cured TGIC polyester powdercoat. All poles include anchor bolts, full base cover, hand hole, ground lug and top cap.



PREFIX	HEIGHT	SIZE	GAUGE	DRILLING	FINISH	OPTIONS
	16					

Enter the order code into the appropriate box above. Note: Philips Gardco reserves the right to refuse a configuration. Not all combinations and configurations are valid. Refer to notes below for exclusions and limitations. For questions or concerns, please consult the factory.

PREFIX	HEIGHT	SIZE	GAUGE	DRILLING
SSS4	10' 12' 14' 16' 20' 24' 25' 30'	4"	7 11	D1 1 Way D2 2 Way D2@90 2 Way at 90° D3 3 Way D4 4 Way T2 2 3/8" OD Tenon T4 4" OD Tenon

### FINISH

- PP** Prime Painted
- BRP** Bronze Paint
- BLP** Black Paint
- WP** White Paint
- NP** Natural Aluminum Paint
- GV** Galvanized (No Paint)
- FPGV** Finished Paint over Galvanized (specify color)
- OC** Optional Color Paint  
Specify RAL designation  
ex: OC-RAL7024.
- SC** Special Color Paint  
Specify. Must supply color chip.

### OPTIONS

- FES** Festoon Outlet
  - AHH** Additional Hand Hole
- For Festoon Outlets and Additional Hand Holes, indicate height above base and orientation to original hand hole. See Pole Orientation Information on Page 4.*
- |   |   |
|---|---|
| <p><b>Security Camera Arm Provisions</b></p> <p>Indicate height above base and orientation to hand hole. See Pole Orientation Information on Page 4. Minimum 12" vertical clearance above or below any other opening in the pole such as a Coupling, Receptacle, Festoon or Hand hole.</p> <ul style="list-style-type: none"> <li><b>SC1</b> Provision for SCM or HCM Security Camera Arm Mount</li> <li><b>SC2</b> Provision for DCM Security Camera Arm Mount</li> </ul> <p><b>Couplings</b></p> <p>Indicate size (1/2", 3/4", 1", 1 1/4", 1 1/2".) Indicate height above base and orientation to hand hole. See Pole Orientation Information on Page 4.</p> <ul style="list-style-type: none"> <li><b>CL</b> Coupling - Internal thread</li> </ul> | <p><b>Motion Response Provisions</b></p> <ul style="list-style-type: none"> <li><b>GMR</b> Provision for Gardco HID Motion Response System</li> </ul> <p><i>Minimum Pole Height is 18'. Includes a 1/2" coupling placed 180° to the hand hole, 12' above the pole base.</i></p> <ul style="list-style-type: none"> <li><b>MSM</b> Motion Sensor Mounting Provision for LED Gullwing</li> </ul> <p><i>Minimum Pole Height is 18'. Includes a special hand hole with 1/2" coupling placed in the cover plate, 180° to the hand hole, 15' above the pole base.</i></p> <p><b>Single Mount Bullhorn Brackets</b></p> <p>Indicate height above base and orientation to hand hole. See Pole Orientation Information on Page 4.</p> <ul style="list-style-type: none"> <li><b>GM-080-19</b> Single - 1.9" OD</li> <li><b>GM-080-24</b> Single - 2.4" OD</li> </ul> |
|---|---|

Refer to Steel Pole Accessories sheet 79415-26 for additional accessories.

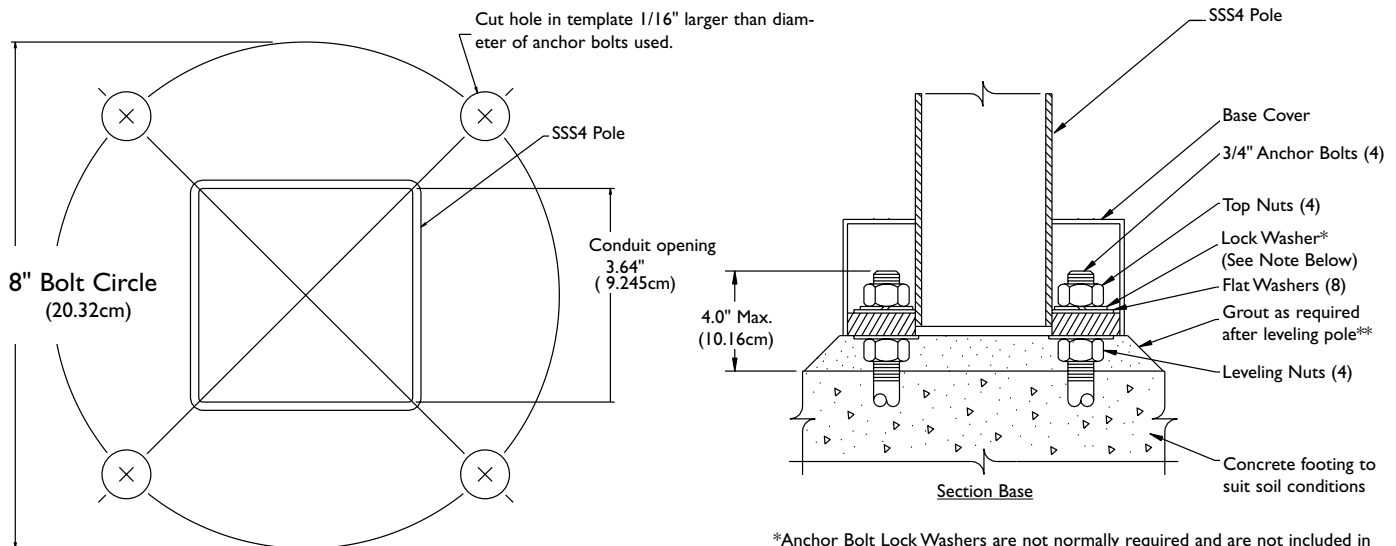


### POLE DATA

CATALOG NUMBER		POLE SIZE		MAXIMUM LUMINAIRE LOADING <sup>1</sup>									ANCHOR BOLT DATA <sup>2</sup>		
				HIGH WIND CONDITIONS						NORMAL WIND CONDITIONS					
				130 MPH		120 MPH		110 MPH		100 MPH	90 MPH	80 MPH			
PREFIX	HEIGHT (FT.)	POLE SIZE (inches)	GAUGE	EPA FT <sup>2</sup>	Max Weight (lbs)	EPA FT <sup>2</sup>	Max Weight (lbs)	EPA FT <sup>2</sup>	Max Weight (lbs)	EPA FT <sup>2</sup>	EPA FT <sup>2</sup>	EPA FT <sup>2</sup>	BOLT CIRCLE (inches)	BOLT SIZE (inches)	MAX PROJ. (inches)
SSS	10	4	11	9.9	248	12.0	300	14.5	363	18.9	23.9	30.6	8.0"	3/4 x 17 x 3	4.0"
SSS	12	4	11	7.4	185	9.2	230	11.3	283	14.8	18.8	24.4	8.0"	3/4 x 17 x 3	4.0"
SSS	14	4	11	5.5	138	7.0	175	8.8	220	11.7	15.1	19.9	8.0"	3/4 x 17 x 3	4.0"
SSS	15	4	11	3.8	95	5.0	125	6.7	168	8.9	11.8	15.9	8.0"	3/4 x 17 x 3	4.0"
SSS	18	4	11	2.3	58	3.5	88	4.8	120	6.7	9.2	12.6	8.0"	3/4 x 17 x 3	4.0"
SSS	20	4	11	-	-	1.9	48	3.3	83	4.5	6.7	9.6	8.0"	3/4 x 17 x 3	4.0"
SSS	20	4	7	4.3	108	5.6	140	7.4	185	8.8	11.8	16.0	8.0"	3/4 x 17 x 3	4.0"
SSS	25	4	11	-	-	-	-	-	-	1.0	2.6	4.8	8.0"	3/4 x 17 x 3	4.0"
SSS	25	4	7	1.6	40	2.6	65	3.8	95	5.4	7.7	10.8	8.0"	3/4 x 17 x 3	4.0"
SSS	30	4	7	-	-	-	-	1.2	50	2.6	4.4	6.7	8.0"	3/4 x 17 x 3	4.0"

- Warning:** Additional wind loading, in terms of EPA, from banners, cameras, floodlights and other accessories attached to the pole, must be added to the luminaire(s) EPA before selecting the pole with the appropriate wind load capability.
- Factory supplied template must be used when setting anchor bolts. Philips Gardco will not honor any claim for incorrect anchorage placement resulting from failure to use factory supplied templates.

### DIMENSIONS



**NOTE:** Factory supplied template must be used when setting anchor bolts. Philips Gardco will not honor any claim for incorrect anchorage placement from failure to use factory supplied templates.

\*Anchor Bolt Lock Washers are not normally required and are not included in standard anchor bolt sets. They are available upon request at additional cost.  
 \*\* Grouting should include a drainage slot or tube (by others) to permit water to drain from the base of the pole. Failure to provide drainage may weaken the pole base structure over time and may result in pole base failure, for which Philips Gardco is not responsible.

### SPECIFICATIONS

**POLE SHAFT:** The pole shaft is fabricated from a single-piece of 11 ga (.1196") or 7 ga (.1793") commercial carbon steel. The formed steel plate is longitudinally welded providing minimum yield strength of 46 KSI.

**ANCHOR BASE:** The pole anchor base is fabricated from A-36 structural quality carbon steel with a minimum yield strength of 36 KSI. The base plate telescopes the pole shaft and is circumferentially welded on both top and bottom.

**ANCHOR BOLTS:** Anchor bolts are fabricated from a commercial quality hot rolled carbon steel bar that meets or exceeds a minimum guaranteed yield strength of 50,000 psi. Bolts have an "L" bend on one end and threaded on the opposite end. Anchor bolts are galvanized a minimum of 12" on the threaded end. Four (4) properly sized bolts, each furnished with two (2) regular hex nuts and two (2) flat washers, are provided per pole, unless otherwise specified.

**BASE COVER:** A two-piece base cover completely conceals the entire base plate and anchorage.

**HAND HOLE:** The reinforced hand hole has a nominal rectangular 2" X 4" inside opening in the pole shaft. Included is a cover plate with attachment screws. The hand hole is located 18" above the base and 180° clockwise with respect to the luminaire arm when viewed from the top of the pole for one arm. For two arms the hand hole is located directly under one arm.

**POLE TOP CAP:** Each pole assembly is provided with a removable pole top cap.

**FINISH:** Poles are available with a bronze, natural, white or black electrostatically applied, thermally cured TGIC polyester powdercoat finish.

**STOCK POLES:** Poles provided from stock under the Quick Ship program are drilled for four (4) luminaires at 90° with three (3) hole sets plugged.

### GENERAL POLE INFORMATION

**DESIGN:** The poles as charted are designed to withstand dead loads and predicted dynamic loads developed by variable wind speeds with an additional 30% gust factor under the following conditions:

The charted weights include luminaire(s) and/or mounting bracket(s).

The wind velocities are based on 10 mph increments from 80 mph through 100 mph. Poles to be located in areas of known abnormal conditions may require special consideration. For example: coastal areas, airports and areas of special winds.

Poles are designed for ground mounted applications. Poles mounted on structures (such as buildings and bridges) may also necessitate special consideration requiring Philips Gardco's recommendation.

Height correction factors and drag coefficients are applied to the entire structure. An appropriate safety factor is maintained based on the minimum yield strength of the material incorporated in the pole.

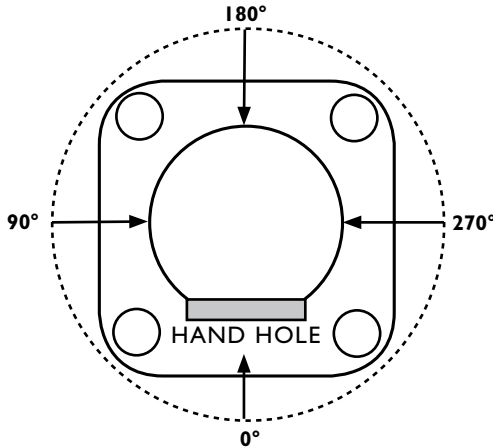
**WARNING:** This design information is intended as a general guideline only. The customer is solely responsible for proper selection of pole, luminaire, accessory and foundation under the given site conditions and intended usage. The addition of any items to the pole, in addition to the luminaire, will dramatically impact the EPA load on that pole. It is strongly recommended that a qualified professional be consulted to analyze the loads given the user's specific needs to ensure proper selection of the pole, luminaire, accessories, and foundation. Philips Gardco assumes no responsibility for such proper analysis or product selections. **Failure to insure proper site analysis, pole selection, loads and installation can result in pole failure, leading to serious injury or property damage.**

**GENERAL INFORMATION:** Mounting height is the vertical distance from the base of the lighting pole to the center of the luminaire arm at the point of luminaire attachment. Twin arms as charted are oriented at 180° with respect to each other. For applications of two (2) arms at 90° or other multiple arm applications, consult the factory.

**WARRANTY:** Philips Gardco poles feature a 1 year limited warranty. See Warranty Information on [www.sitelighting.com](http://www.sitelighting.com) for complete details and exclusions.

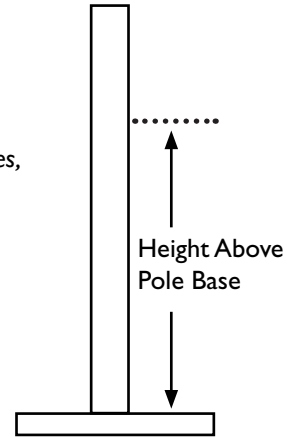
### ORIENTATION INFORMATION

#### FACTORY INSTALLED OPTIONS AND ACCESSORIES



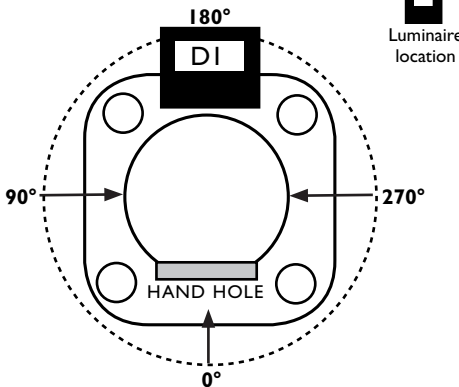
Orientation is measured clockwise from the Hand Hole Center.

For Factory Installed Options and Accessories, Specify Orientation from Hand Hole and Height Above Pole Base Where Required.

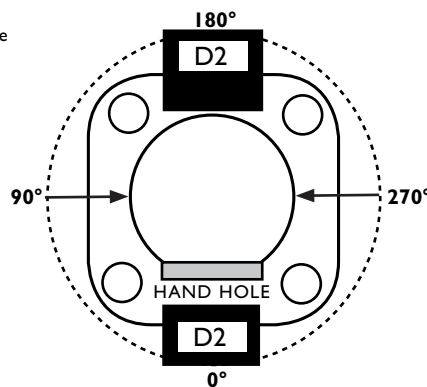


#### STANDARD ARM MOUNT LUMINAIRE ORIENTATION

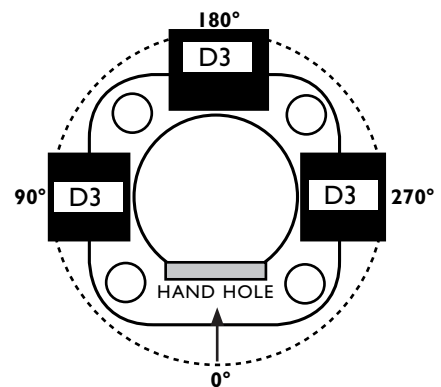
**D1** Drilled for Single Luminaire



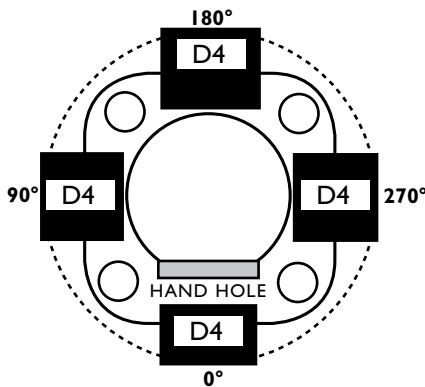
**D2** Drilled for 2 Luminaires at 180°



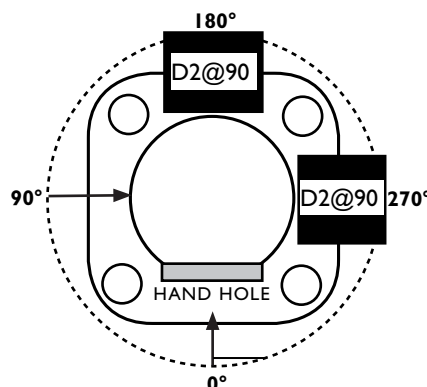
**D3** Drilled for 3 Luminaires @ 90°



**D4** Drilled for 4 Luminaires at 90°



**D2@90** Drilled for 2 Luminaires at 90°



Job:  
Type:  
Notes:



# I20 LINE LED

## I21 LED Performance Sconce Constant Wattage - Full Light Output

The Philips Gardco I21 LED Performance Sconce provides an energy efficient, architecturally pleasing solution for wall mount applications. The sloped surface ribs of the die cast aluminum housing create a distinctly unique aesthetic element, and perform important functions in the Philips Gardco thermal management system. The high performance LED optical systems produce full cutoff performance, minimizing glare and light trespass. Philips Gardco's LED technology provides maximized light output and maximum energy savings.



PREFIX	LED CONTROLS	OPTICAL SYSTEM	LED WATTAGE	LED SELECTION	VOLTAGE	FINISH	OPTIONS
<input type="text"/>	<input type="text"/>	<input type="text"/>	<input type="text"/>	<input type="text"/>	<input type="text"/>	<input type="text"/>	<input type="text"/>

Enter the order code into the appropriate box above. Note: Philips Gardco reserves the right to refuse a configuration. Not all combinations and configurations are valid. Refer to notes below for exclusions and limitations. For questions or concerns, please consult the factory.

### PREFIX

**I21** I21 LED Performance Sconce

### LED CONTROLS

**CWL** Constant Wattage Full Light Output

### OPTICAL SYSTEM

**FT** Forward Throw

**MT<sup>1</sup>** Medium Throw

**WT** Wide Throw

<sup>1</sup>. Includes DL - Diffusing Glass Lens option.

### LED WATTAGE AND LUMEN VALUES

Ordering Code	Average System Watts <sup>2</sup>	LED Current (mA)	LED Selection	Luminaire Initial Absolute Lumens <sup>3,4</sup>				
				FT	FT with Diffuse Lens	MT includes Diffuse Lens	WT	WT with Diffuse Lens
<b>35LA</b>	37.2	364	CW	2,176	*	2,196	2,209	*
<b>50LA</b>	56.6	460	CW	3,082	2,491	3,218	3,432	2,450

<sup>2</sup>. Wattage may vary by +/- 8% due to LED manufacturer forward volt specification and ambient temperature. Wattage shown is average for 120V through 277V input. Actual wattage may vary by an additional +/- 10% due to actual input voltage.

<sup>3</sup>. LED arrays feature LEDs that provide 100 lumens per watt when operated at 350 mA. Average luminaire lumens per watt range from 49 to 58 lumens per watt, and are subject to the variances noted above.

<sup>4</sup>. Lumen values based on tests performed in compliance with IESNA LM-79.

\*. Indicates that photometric tests are in process. Photometric tests are also in process for NW LED Selection luminaires. Contact [apps@sitelighting.com](mailto:apps@sitelighting.com) if any approximate estimates are required for design purposes.

### LED SELECTION

**CW** Cool White - 6000°K - 75 CRI

**NW** Neutral White - 4500°K - 75 CRI

### VOLTAGE

**UNIV** Accepts 120V through 277V input, 50hz to 60hz.

1611 Clovis Barker Road, San Marcos, TX 78666

(800) 227-0758 (512) 753-1000 FAX: (512) 753-7855 [sitelighting.com](http://sitelighting.com)

© 2011 Koninklijke Philips Electronics N.V. All Rights Reserved.

Philips Gardco reserves the right to change materials or modify the design of its product without notification as part of the company's continuing product improvement program.

G200-006/0311

**PHILIPS**





# 120 LINE LED

## 121 LED Performance Sconce Constant Wattage - Full Light Output

### FINISH

<b>BRP</b>	Bronze Paint
<b>BLP</b>	Black Paint
<b>WP</b>	White Paint
<b>NP</b>	Natural Aluminum Paint
<b>BGP</b>	Beige Paint
<b>OC</b>	Optional Color Paint Specify Optional Color or RAL ex: OC-LGP or OC-RAL7024.
<b>SC</b>	Special Paint Specify. Must supply color chip.

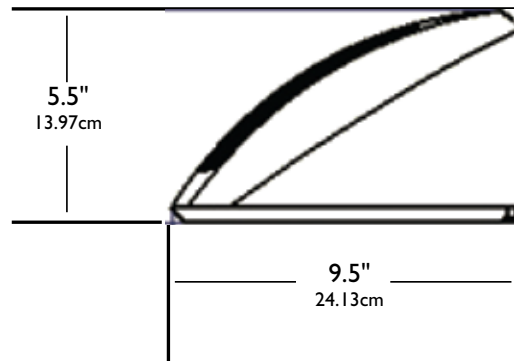
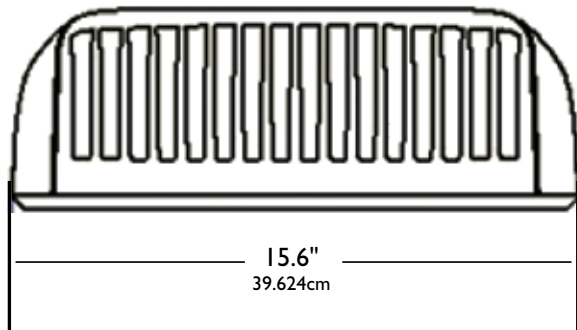
### OPTIONS

<b>F</b>	Fusing
<b>DL<sup>5</sup></b>	Diffusing Glass Lens
<b>PCB</b>	Button Type Photocontrol
<b>WS<sup>6</sup></b>	Wall Mounted Box for Surface Conduit

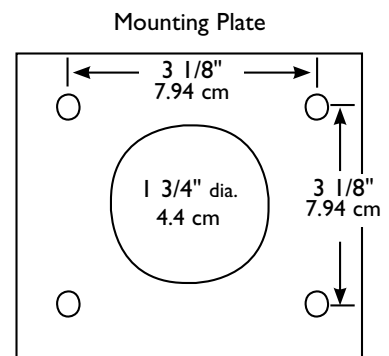
5. FT or WT optical systems only. Supplied standard on MT optical systems.

6. Rear entry permitted.

### DIMENSIONS



Note: Mounting plate center is located in the center of the luminaire width and 2.38" (6.03cm) above the luminaire bottom (lens down position). Splices must be made in the J-box (by others). Mounting plate must be secured by max. 5/16" (.79cm) diameter bolts (by others) structurally to the wall.



Mounting Bolt Pattern



## I21 LED Performance Sconce Constant Wattage - Full Light Output

### SPECIFICATIONS

**GENERAL:** Each Philips Gardco I21 luminaire is a wall mounted cutoff luminaire with integrated lensed LEDs mounted in a fixed array. Internal components are totally enclosed in a rain-tight, dust-tight and corrosion resistant housing. The housing, back plate and door frame are die cast aluminum. A choice of three (3) optical systems is available. Luminaires are suitable for wet locations, mounted in the normal downlight position.

**HOUSING:** The single-piece stylized housing is die cast aluminum. A memory retentive gasket seals the housing with the door frame to exclude moisture, dust, insects and pollutants from the luminaire. A black, die cast ribbed backplate is included.

**DOOR FRAME:** A single-piece die cast aluminum door frame integrates to the housing form. The door frame is hinged closed and secured to the housing with two (2) captive stainless steel fasteners.

**OPTICAL SYSTEMS:** LED arrays are set to achieve the wide throw or forward throw distributions. LED are combined with a diffusing lens to produce the medium throw distribution. Luminaires ordered with medium throw optics include a diffusing lens standard.

**ELECTRICAL:** Luminaires are equipped with an LED driver that accepts 120V through 277V, 50hz to 60hz, input. Driver output is either 350 mA or 500 mA, based on the LED wattage selected. Component-to-component wiring within the luminaire will carry no more than 80% of rated current and is listed by UL for use at 600 VAC at 302°F/150°C or higher. Plug disconnects are listed by UL for use at 600 VAC, 15A or higher. Power factor is not less than 90%. Luminaires consume 0.0 watts in the off state.

**LED THERMAL MANAGEMENT:** The I21 design provides deep integral thermal radiation fins cast into the upper housing to assist in the thermal management so critical to long LED system life. Metallic screens are placed over the fins and integrated to the housing to prevent the buildup of dust, dirt and contaminants, while permitting required air flow for cooling.

### LED PERFORMANCE:

PREDICTED LUMEN DEPRECIATION DATA <sup>7</sup>		
Ambient Temperature °C	LED Wattage / Driver mA	L <sub>70</sub> Hours <sup>8</sup>
25 °C	35LA / 364	150,000
	50LA / 460	100,000
40 °C	35LA / 364	130,000
	50LA / 460	75,000

7. Predicted performance derived from LED manufacturer's data and engineering design estimates, based on IESNA LM-80 methodology. Actual experience may vary due to field application conditions.

8. L<sub>70</sub> is the predicted time when LED performance depreciates to 70% of initial lumen output.

**FULL CUTOFF PERFORMANCE:** Full cutoff performance means a luminaire distribution where zero candela intensity occurs at an angle at or above 90° above nadir. Additionally, the candela per 1000 lamp lumens does not numerically exceed 100 (10 percent) at a vertical angle of 80° above nadir. This applies to all lateral angles around the luminaire.

**CUTOFF PERFORMANCE:** Cutoff performance means a luminaire distribution where the candela per 1000 lamp lumens does not numerically exceed 25 (2.5 percent) at an angle at or above 90° above nadir, and 100 (10 percent) at a vertical angle of 80° above nadir. This applies to all lateral angles around the luminaire.

1611 Clovis Barker Road, San Marcos, TX 78666

(800) 227-0758 (512) 753-1000 FAX: (512) 753-7855 [sitelighting.com](http://sitelighting.com)

© 2011 Koninklijke Philips Electronics N.V. All Rights Reserved.

Philips Gardco reserves the right to change materials or modify the design of its product without notification as part of the company's continuing product improvement program.

G200-006/0311

**PHILIPS**

