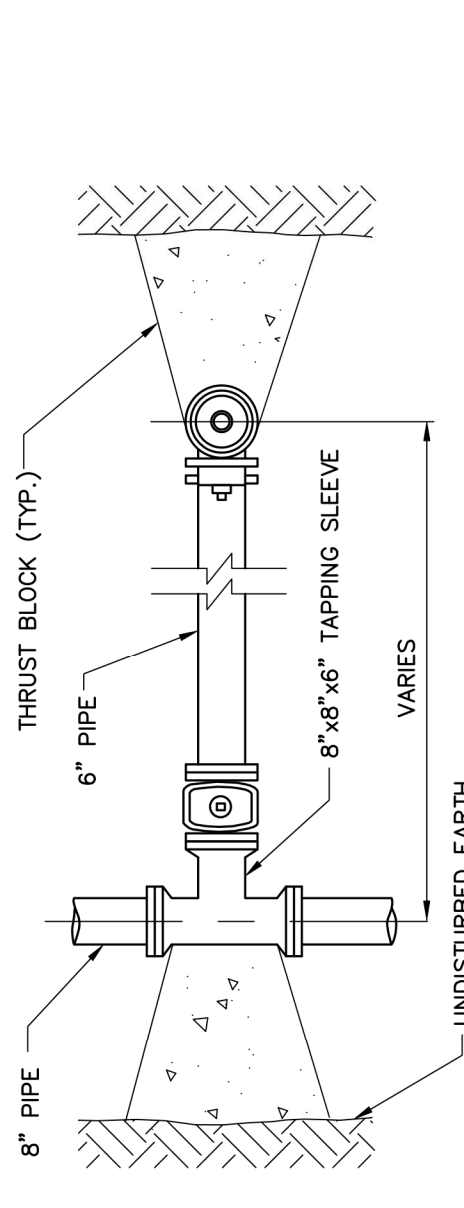
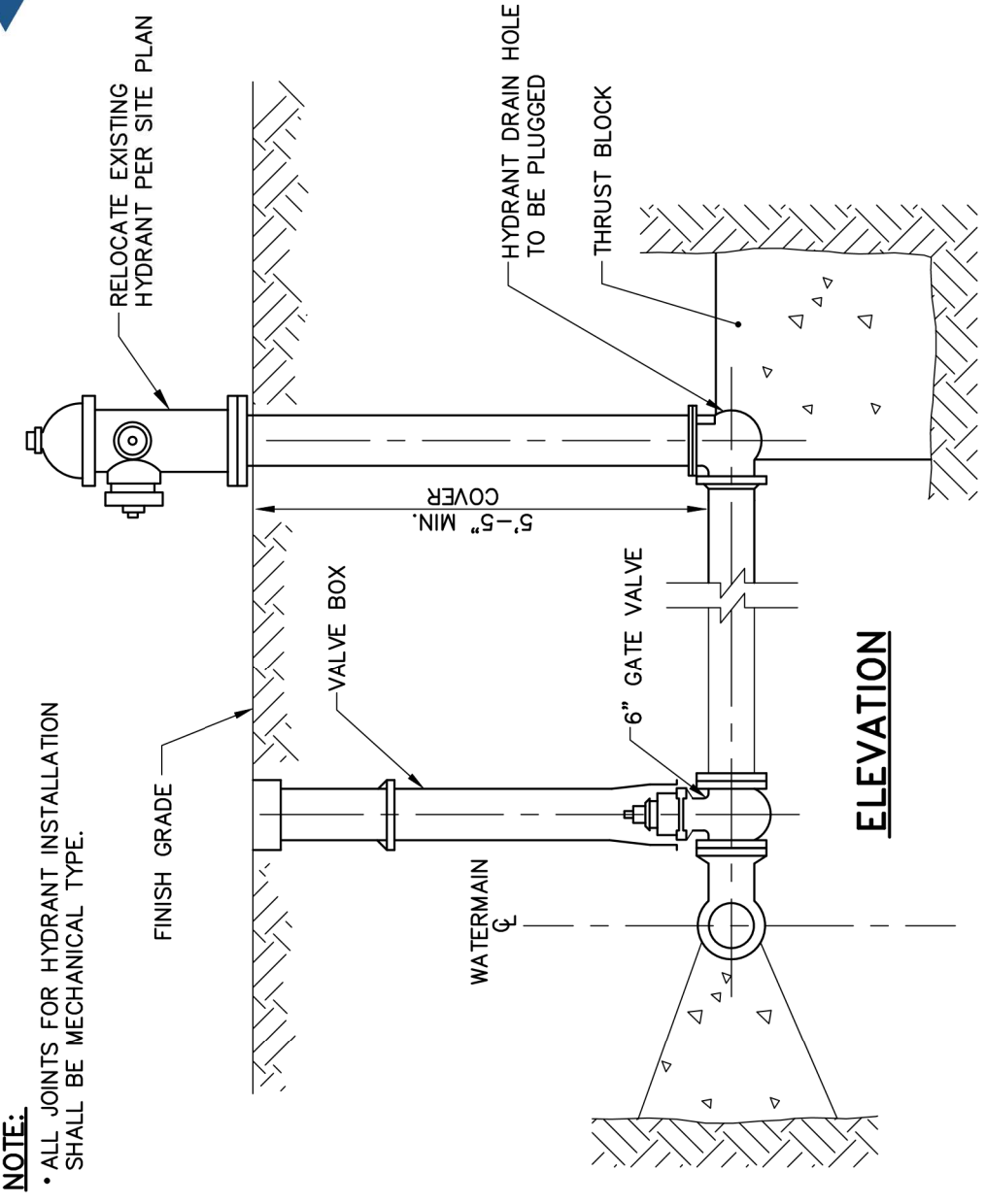


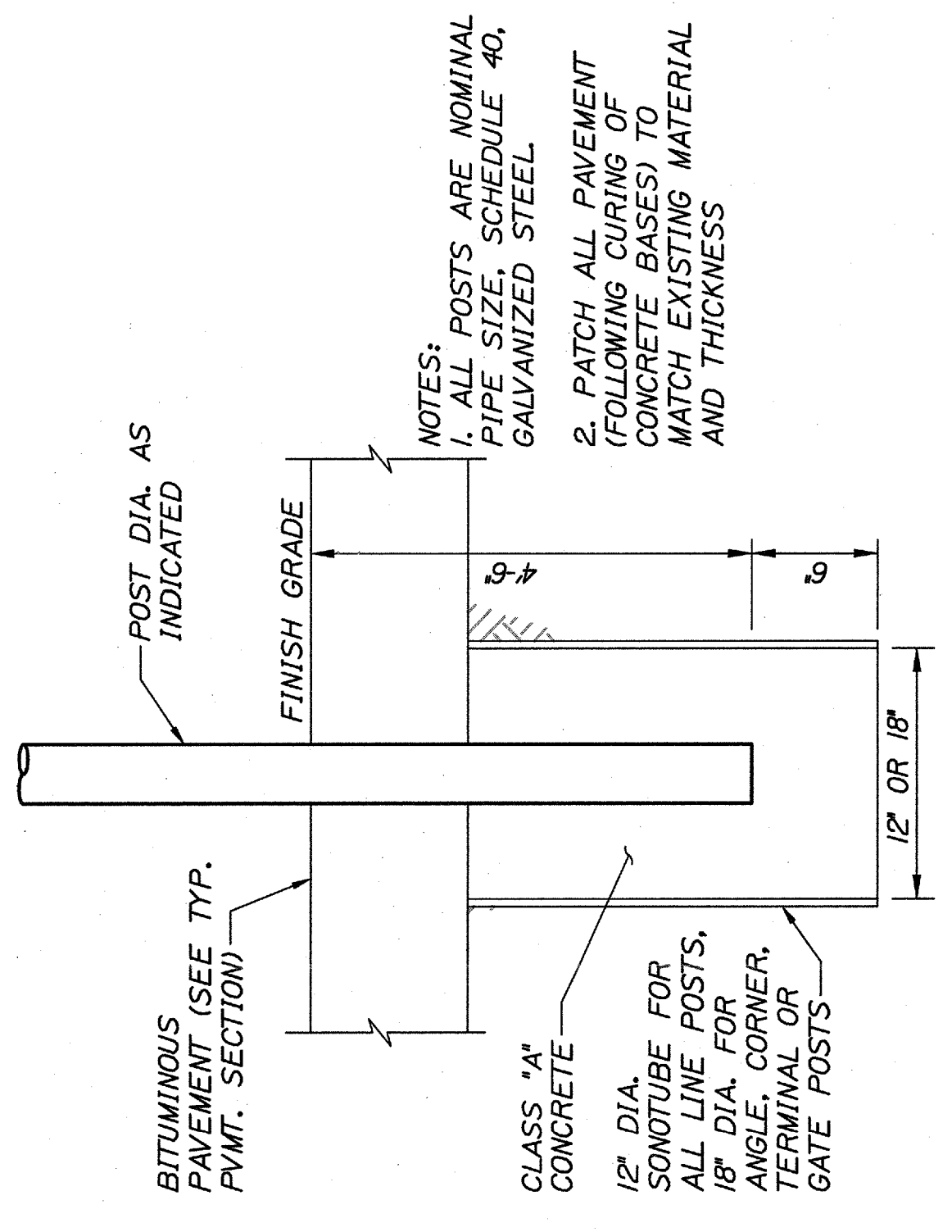
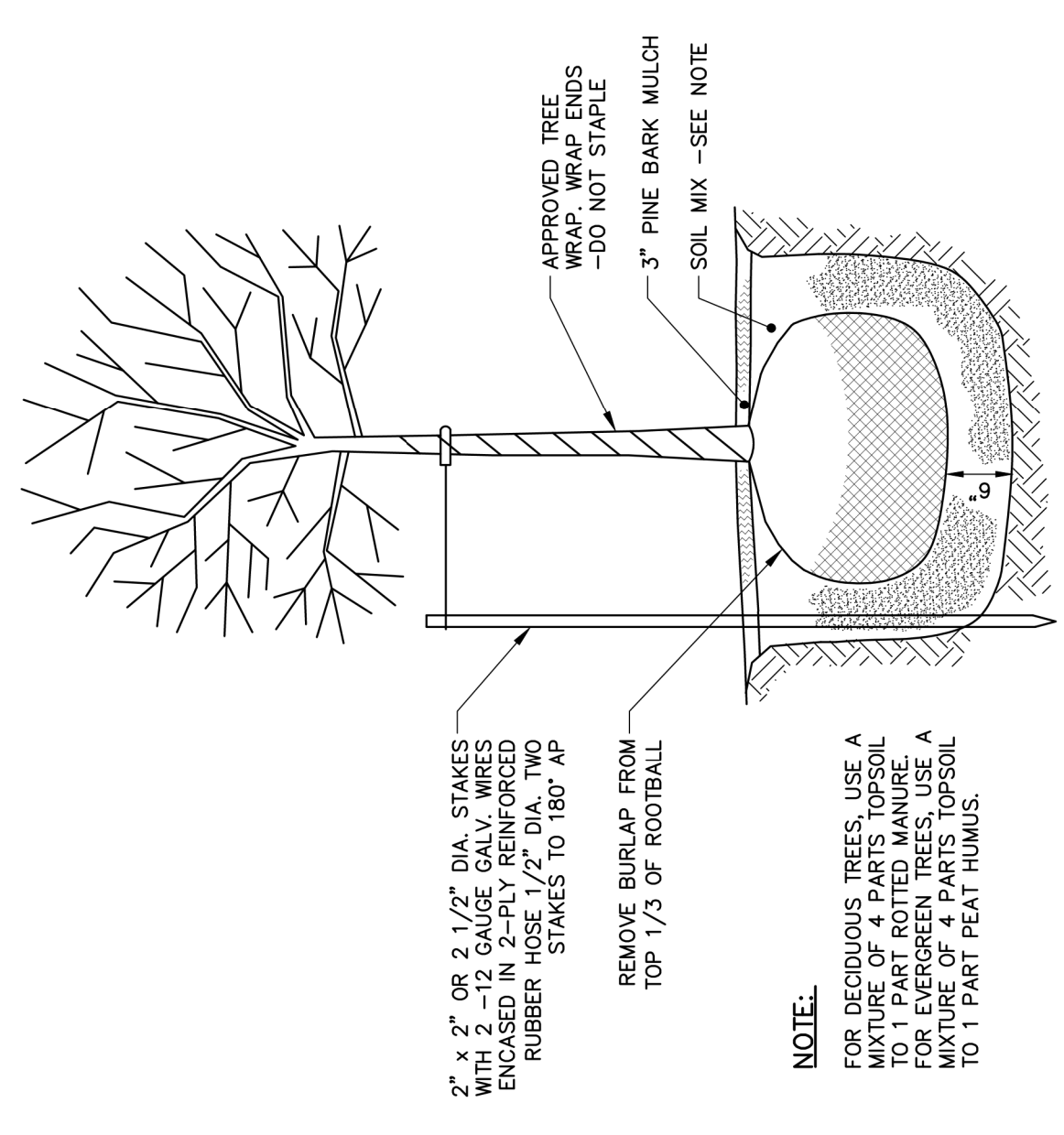
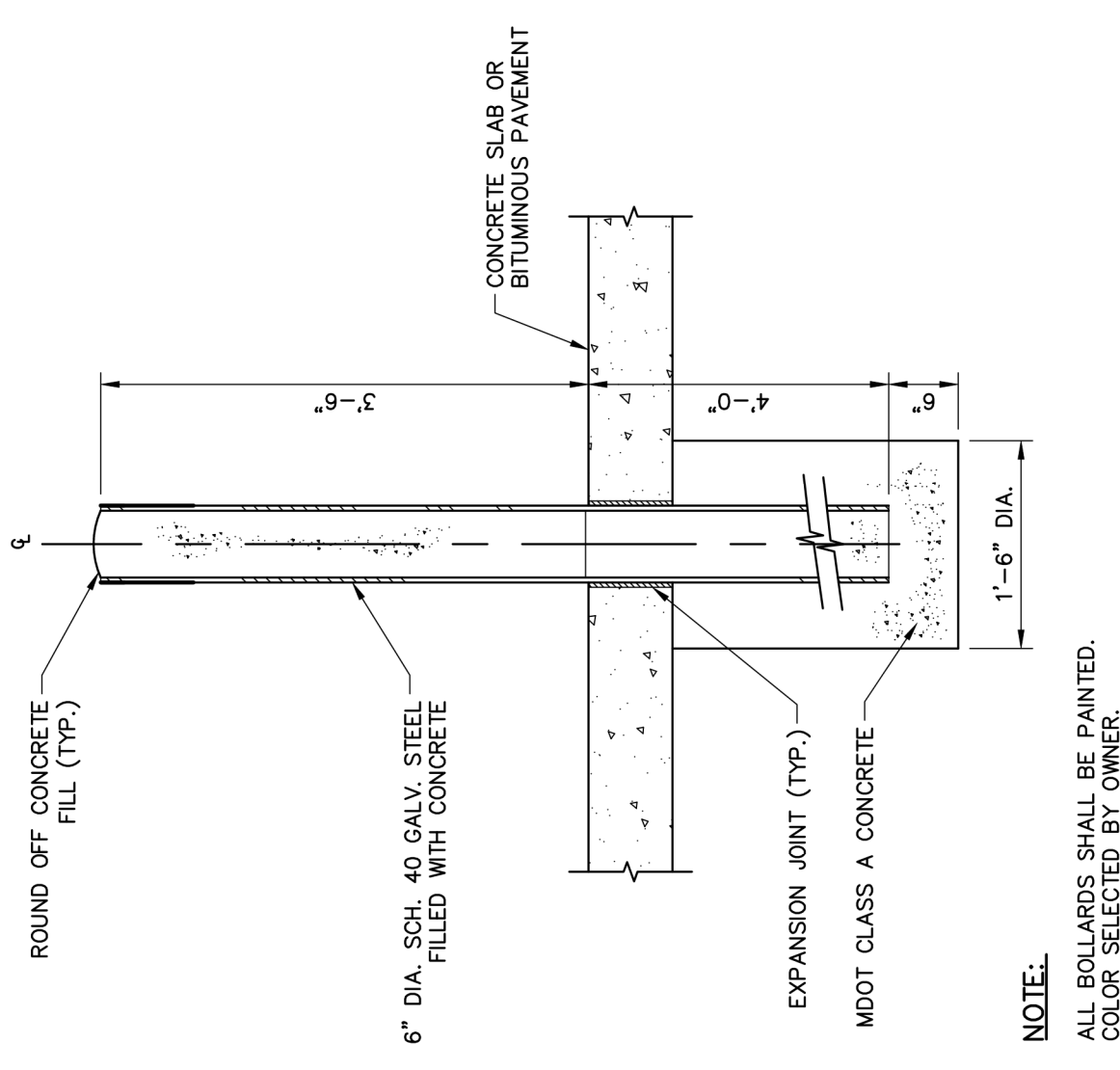
DATE	BY	DESCRIPTION
8-9-17	MS/JBC	DESIGN DETAIL
8-9-17	DAS	CHECKED - REVISED
8-9-17		DESIGNS - DETAILED
10791		P.E. NUMBER
8/9/2017		DATE



NOTE:
ALL JOINTS FOR HYDRANT INSTALLATION SHALL BE MECHANICAL TYPE.



HYDRANT DETAIL
N.T.S.

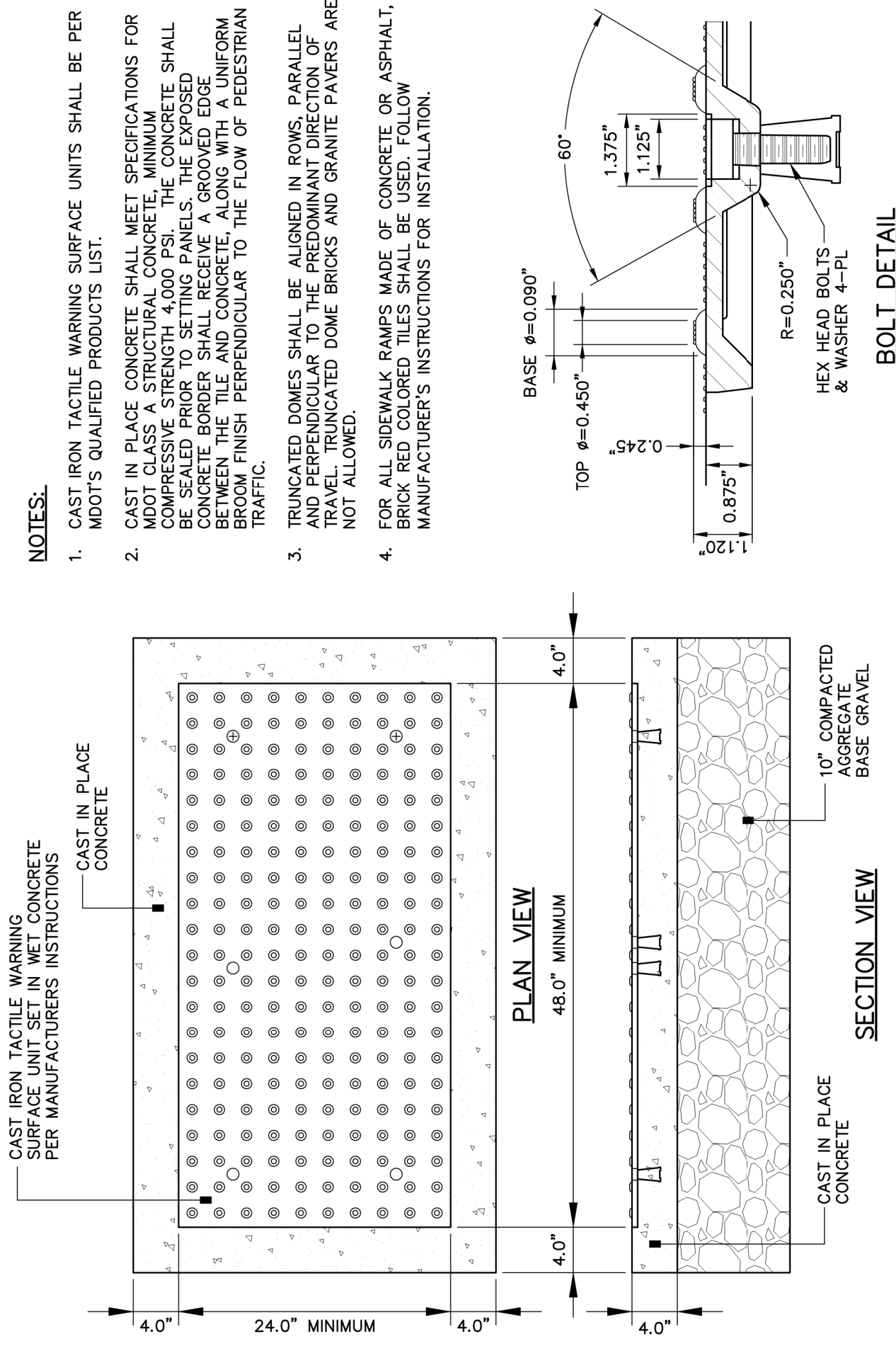


FENCE/GATE POST DETAIL
N.T.S.

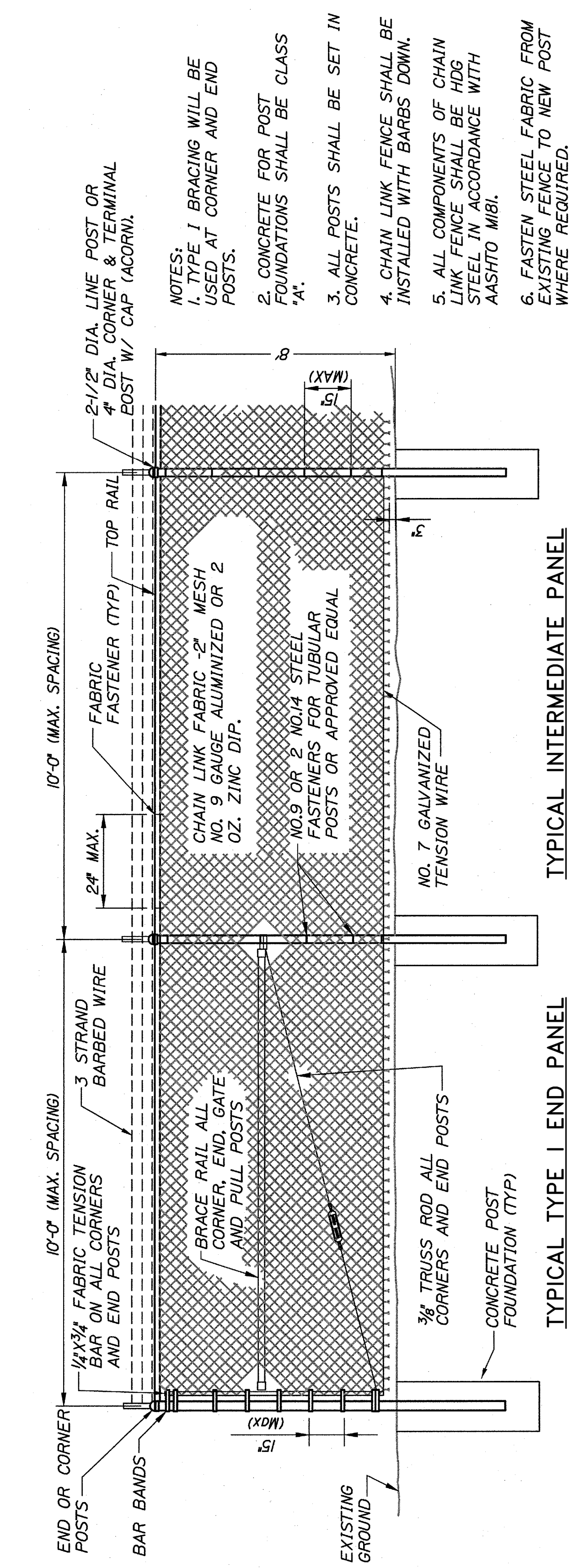
TREE PLANTING DETAIL
N.T.S.

BOLLARD DETAIL
N.T.S.

HYDRANT DETAIL
N.T.S.



SIDEWALK RAMP DETECTABLE WARNING
N.T.S.



TYPICAL CHAIN LINK FENCE DETAIL
N.T.S.

TYPICAL INTERMEDIATE PANEL
N.T.S.

TYPICAL TYPE I END PANEL
N.T.S.