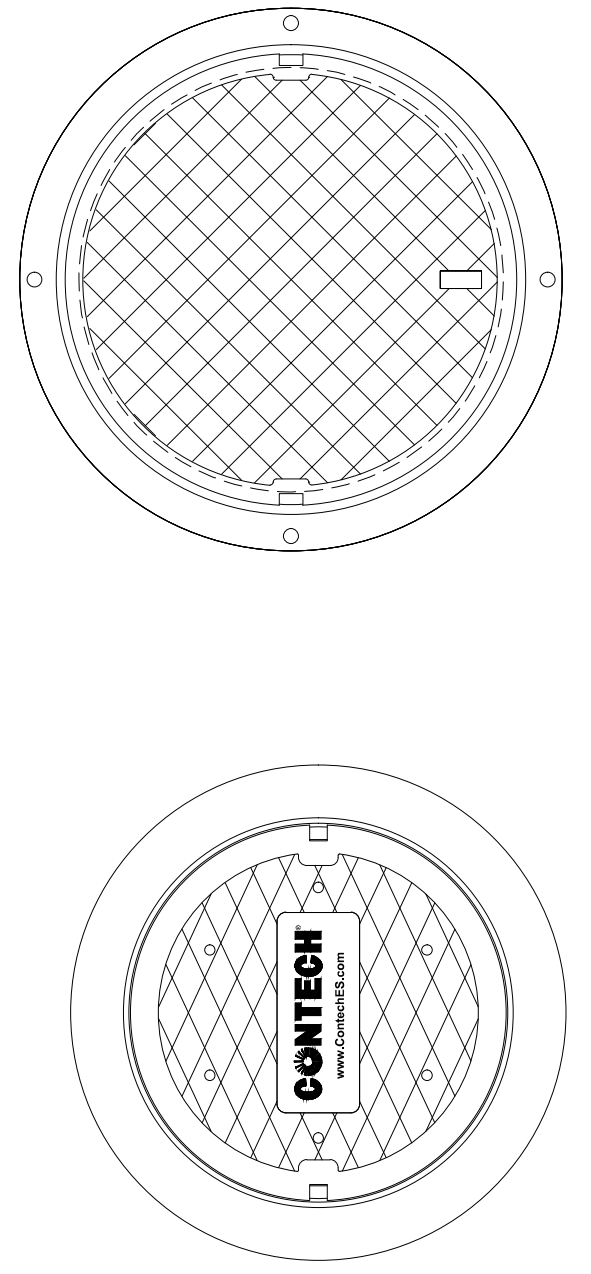
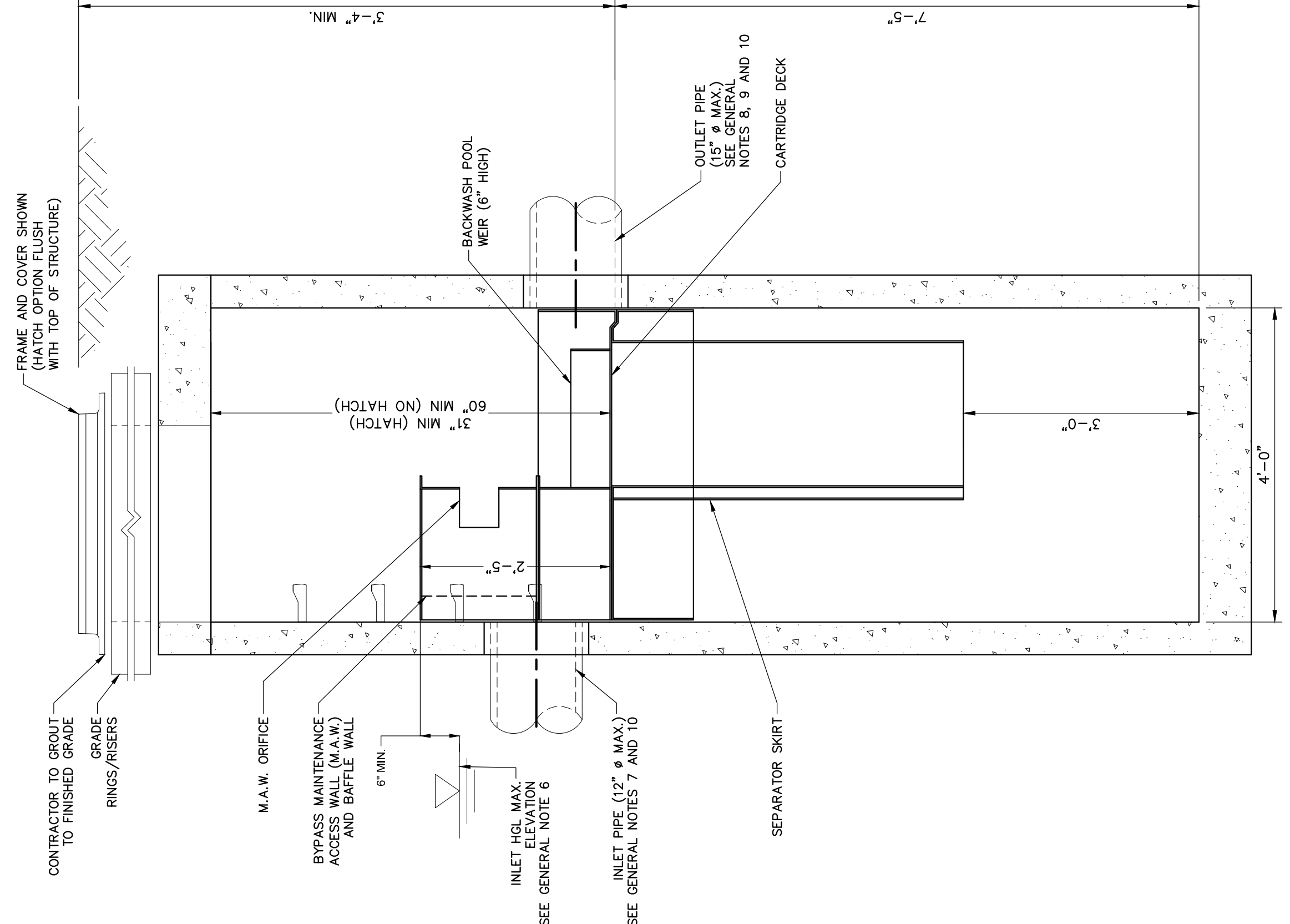
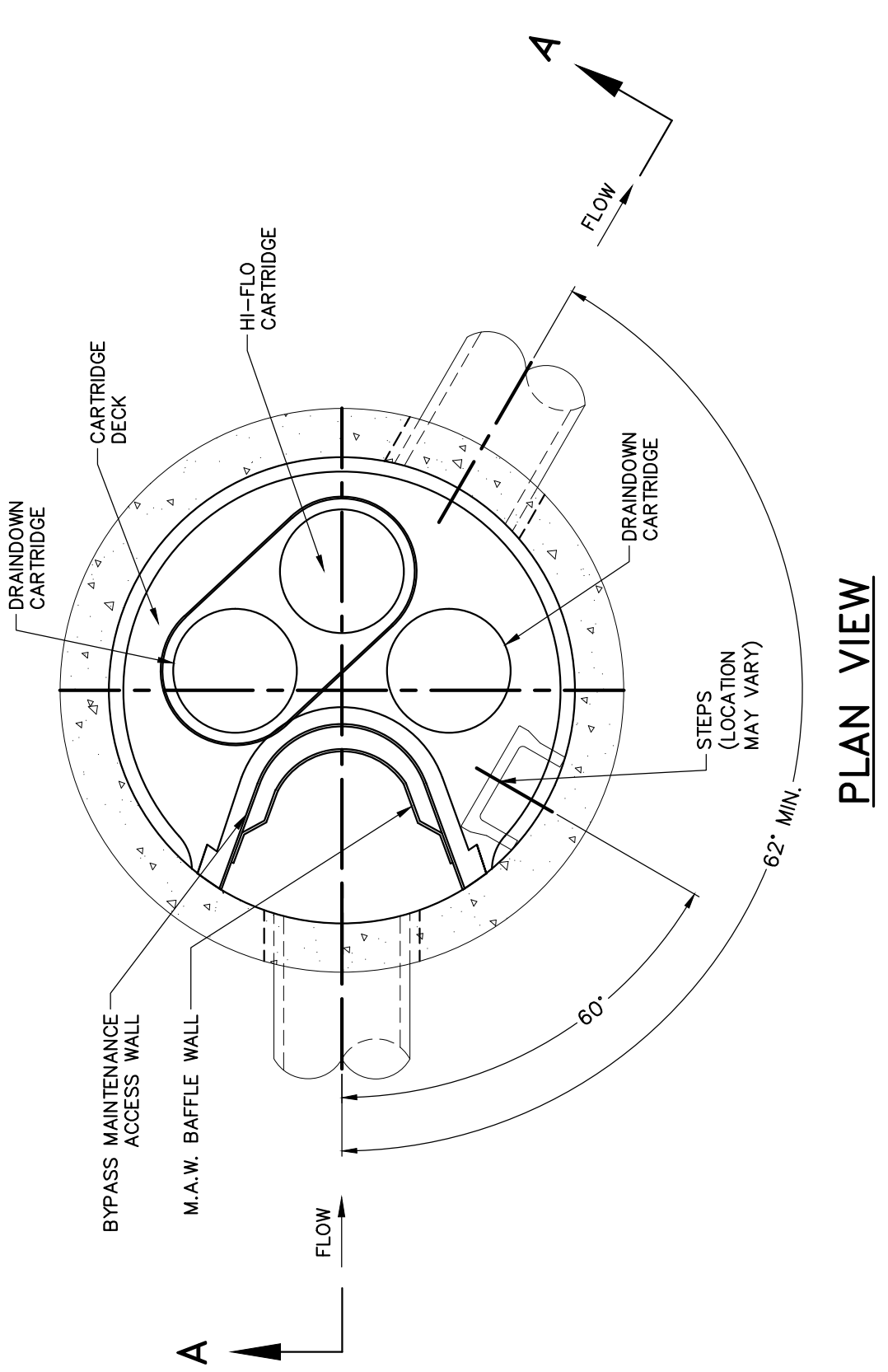
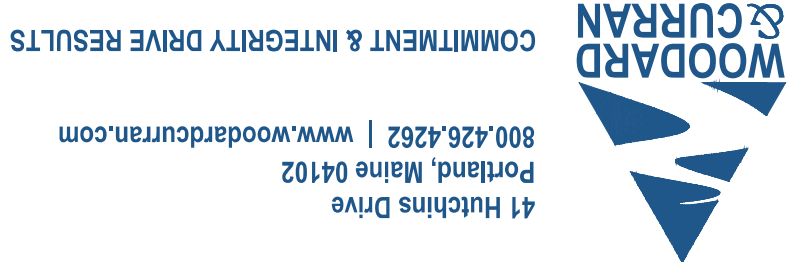


PROJ. MANAGER JOEL KITTLEDGE  
BY DATE  
8-9-17  
8-9-17  
DESIGN-DETAILED  
CHECKED-REVIEWED  
DESIGN-DETAILED  
DESIGN-DETAILED  
REVISIONS 1  
REVISIONS 2  
REVISIONS 3  
REVISIONS 4  
FIELD CHANGES

P.E. NUMBER  
10791  
DATE  
8/9/2017

DAVID  
SAENS  
10791  
REGISTERED PROFESSIONAL ENGINEER  
STATE OF MAINE

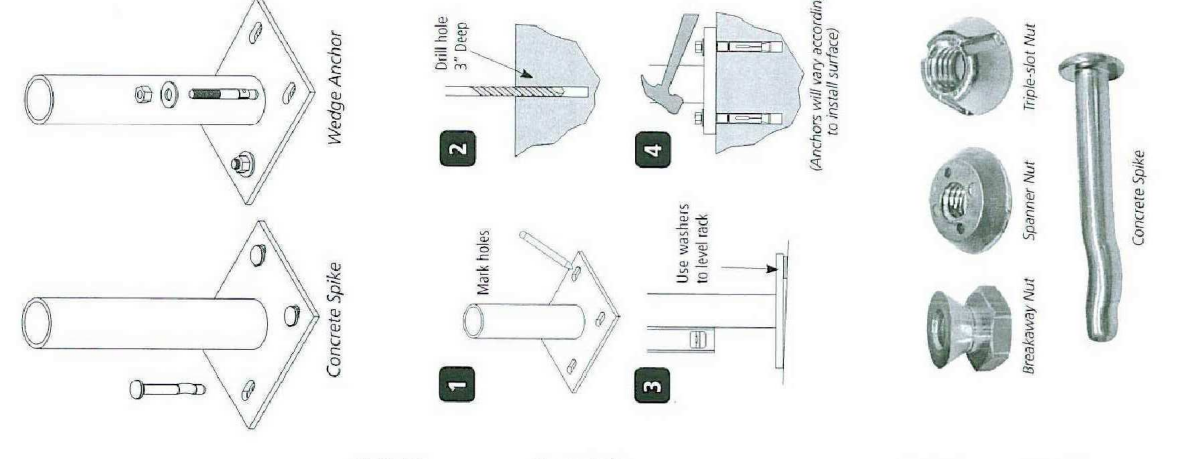
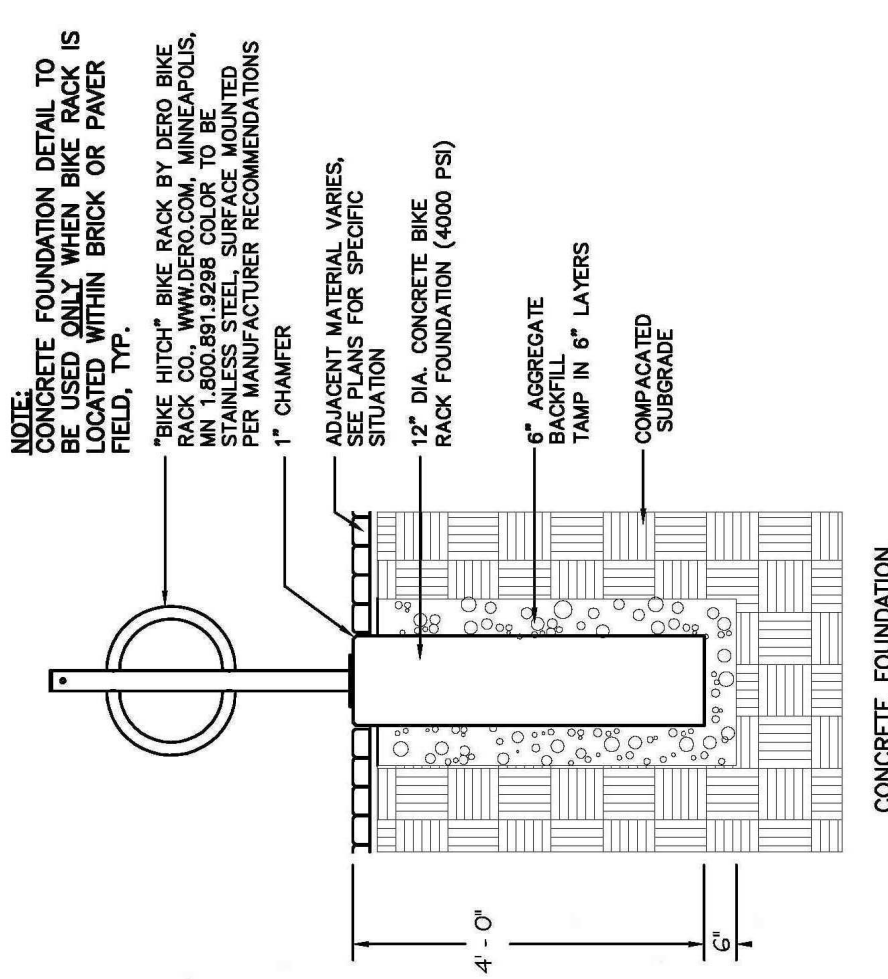


**JELLYFISH FILTER GENERAL NOTES:**

- CONTECH TO PROVIDE ALL MATERIALS UNLESS NOTED OTHERWISE.
- FOR FABRICATION DRAWINGS WITH DETAILED STRUCTURE DIMENSIONS AND WEIGHT, PLEASE CONTACT YOUR CONTECH ENGINEERED SOLUTIONS REPRESENTATIVE. [www.conteches.com](http://www.conteches.com)
- JELLYFISH WATER QUALITY STRUCTURE SHALL BE IN ACCORDANCE WITH ALL DESIGN DATA AND INFORMATION CONTAINED IN THIS DRAWING. CONTRACTOR TO CONFIRM STRUCTURE MEETS REQUIREMENTS OF PROJECT.
- STRUCTURE SHALL MEET AASHTO HS-20 OR PER APPROVING JURISDICTION REQUIREMENTS, WHICHEVER IS MORE STRINGENT, ASSUMING EARTH COVER OF 0' - 1' AND GROUNDWATER ELEVATION AT OR BELOW THE OUTLET PIPE INVERT ELEVATION. ENGINEER OF RECORD TO CONFIRM ACTUAL GROUNDWATER ELEVATION. CASTINGS SHALL MEET AASHTO M306 LOAD RATING AND BE CAST WITH THE CONTECH LOGO.
- STRUCTURE SHALL BE PRECAST CONCRETE CONFORMING TO ASTM C-478 AND AASHTO LOAD FACTOR DESIGN METHOD.
- NO PRODUCT SUBSTITUTIONS SHALL BE ACCEPTED UNLESS AS DIRECTED BY THE ENGINEER OF RECORD.

**JELLYFISH FILTER INSTALLATION NOTES**

- ANY SUB-BASE, BACKFILL DEPTH, AND/OR ANTI-FLOTATION PROVISIONS ARE SITE-SPECIFIC DESIGN CONSIDERATIONS AND SHALL BE SPECIFIED BY ENGINEER OF RECORD.
- CONTRACTOR TO PROVIDE EQUIPMENT WITH SUFFICIENT LIFTING AND REACH CAPACITY TO LIFT AND SET THE STRUCTURE (LIFTING CLUTCHES PROVIDED)
- CONTRACTOR WILL INSTALL AND LEVEL THE STRUCTURE, SEALING THE JOINTS, LINE ENTRY AND EXIT POINTS (NON-SHRINKING GROUT WITH APPROVED WATERSTOP OR FLEXIBLE BOOT)
- CONTRACTOR TO TAKE APPROPRIATE MEASURES TO PROTECT CARTRIDGES FROM CONSTRUCTION-RELATED EROSION RUNOFF.
- CARTRIDGE INSTALLATION, BY CONTECH, SHALL OCCUR ONLY AFTER SITE HAS BEEN STABILIZED AND THE JELLYFISH UNIT IS CLEAN AND FREE OF DEBRIS. CONTACT CONTECH TO COORDINATE CARTRIDGE INSTALLATION WITH SITE STABILIZATION AT (866) 740-3318.



**Tool Needed for Installation:**  
Tape Measure  
Marker or Pencil  
Drill (Hammer drill recommended)  
Hammer  
Wrench 9/16"  
Washers (for leveling if necessary)

**Recommended Base Materials:**  
Solid concrete is the best base material for installation. Ask your Dept. of Transportation representative which anchor is appropriate for your application to ensure the proper anchors are shipped with your rack. Be sure nothing is underneath the base material that could be damaged by lifting.

**Installation:**  
3/8" anchors are shipped with the rack. Place the rack in the desired location. Drill the holes in the base material. Drill the holes in accordance with the specifications shipped with the anchors. Make sure the holes are at least 6" away from any cracks in the base material.

**Tamper Resistant Fasteners:**  
The concrete spike is a permanent anchor. The top of the wedge anchor is designed to be removed. Other tamper resistant fasteners are also available for purchase.

When using the special tamper resistant nuts, always use and fasten to the anchors. Once the rack is installed, replace two nuts from the bracket (opposite sides from each other) with the tamper resistant fastener. DO NOT CONFUSE THE TAMPER RESISTANT NUT.

**NOTE:** If you have any questions about installation or the location of the bike rack, please call us at 1-800-398-8015.

JELLYFISH (JF4) FILTER DETAIL  
N.T.S.  
SECTION A-A