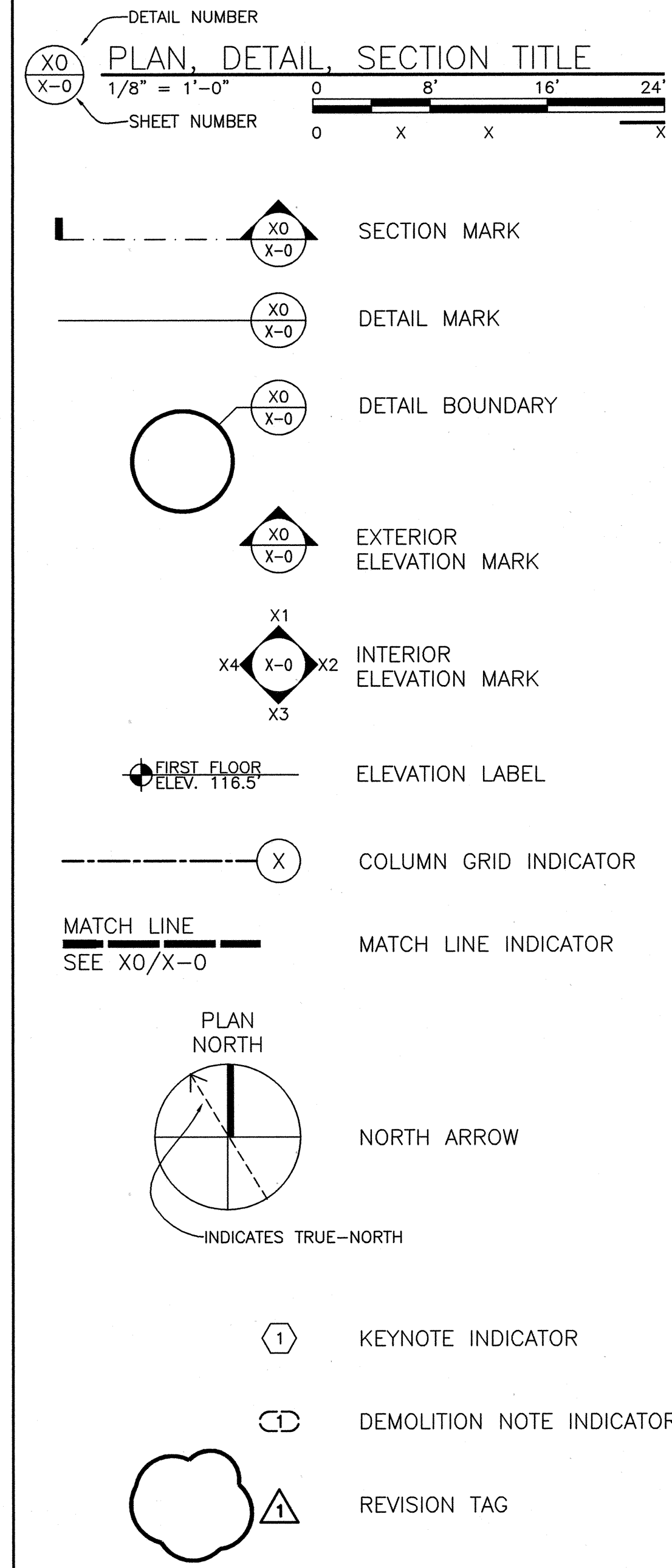
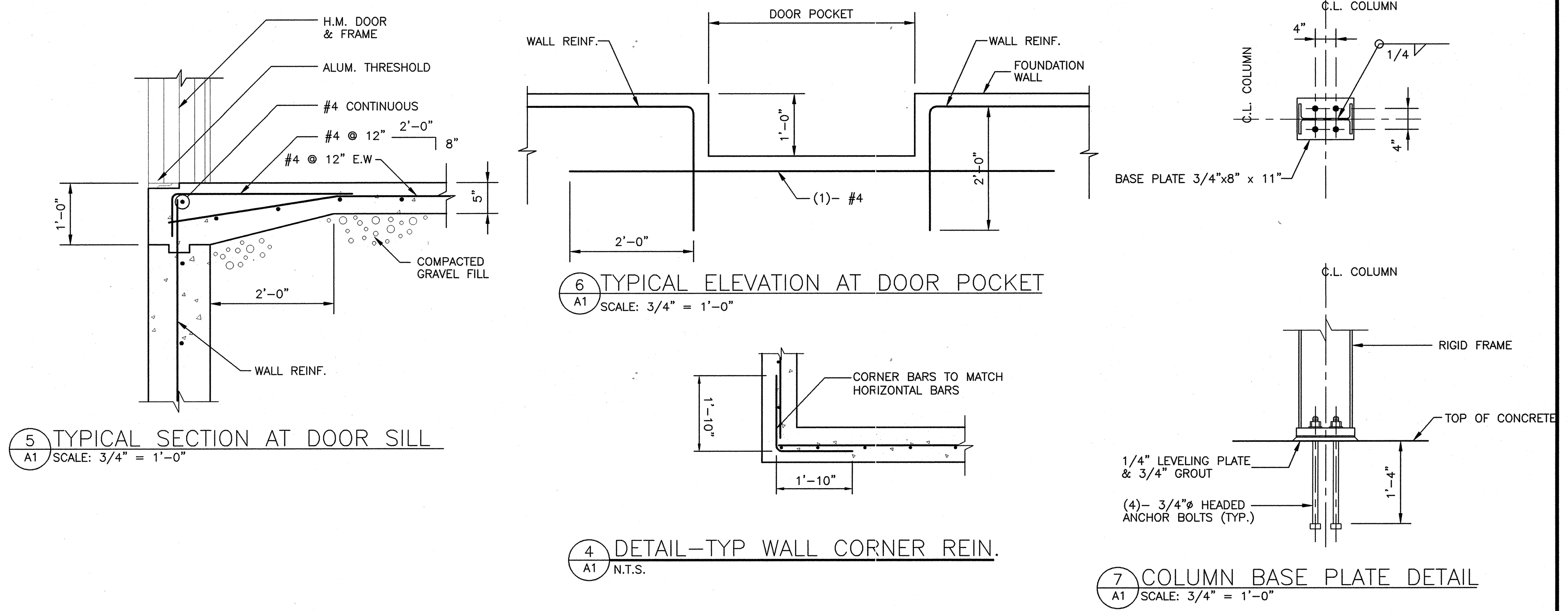


TYPICAL SYMBOLS AND INDICATORS:

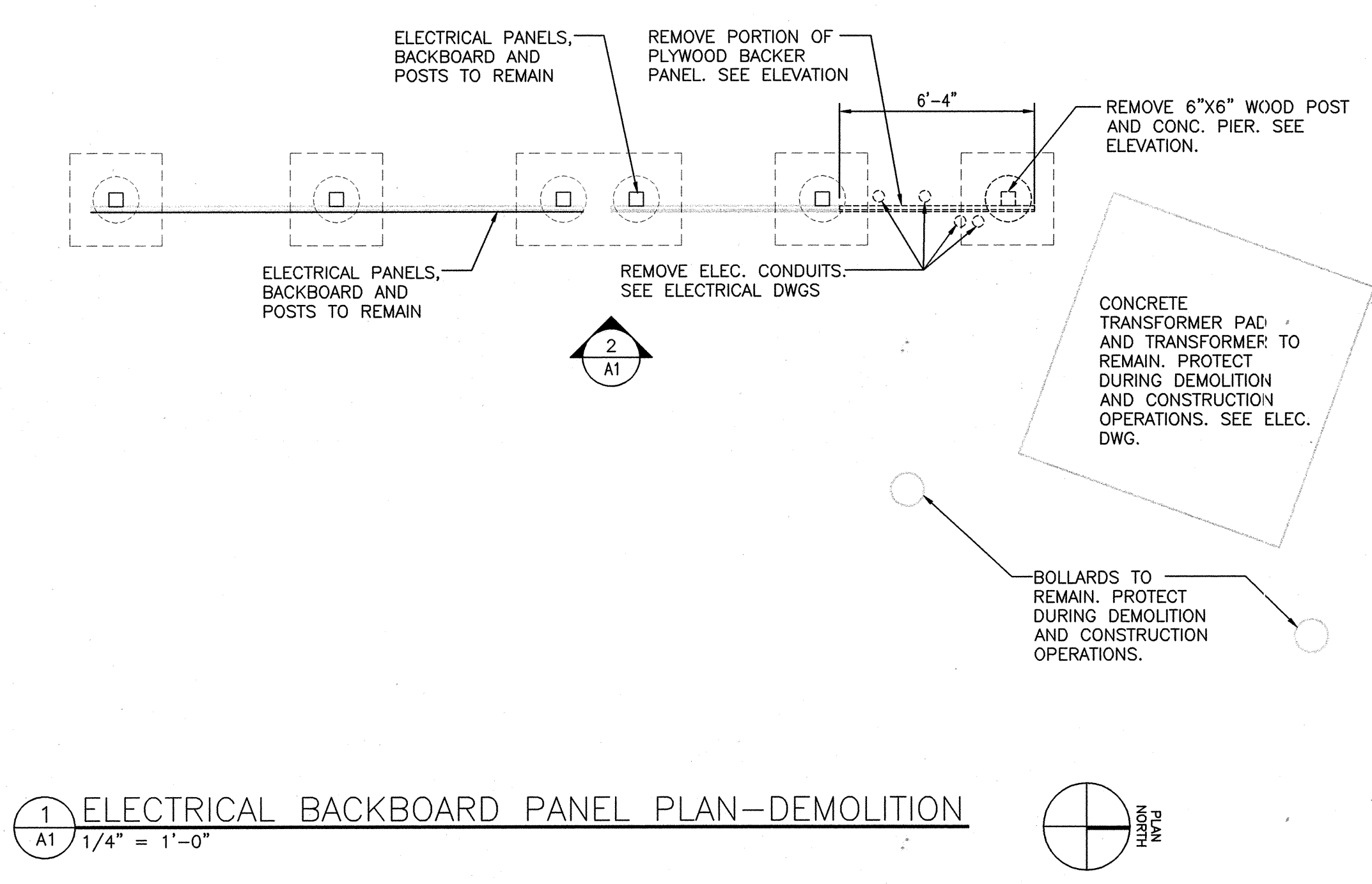
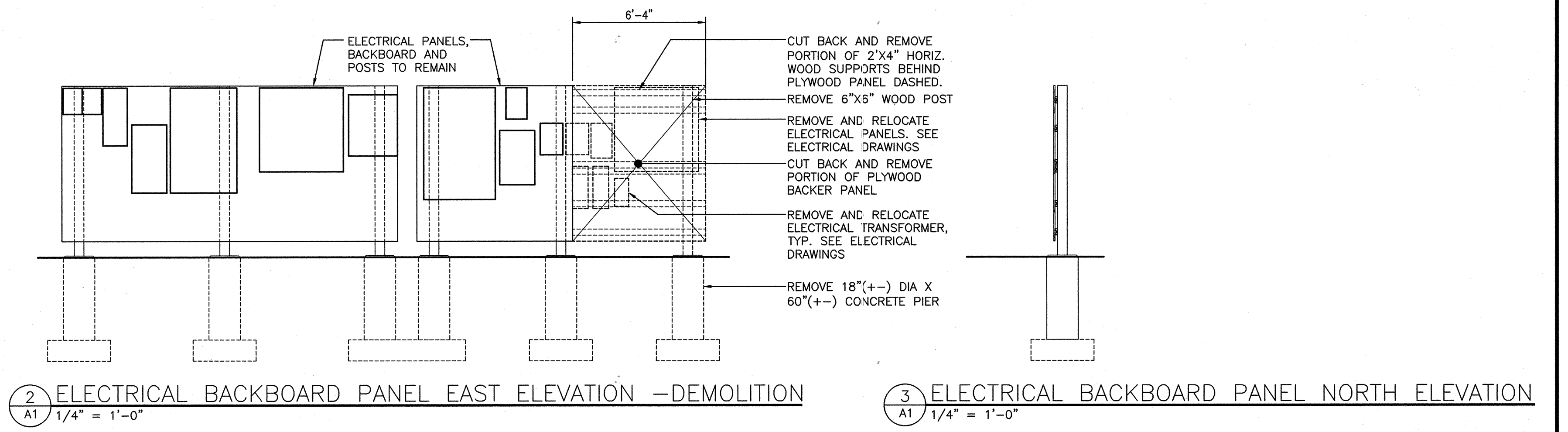


GENERAL NOTES:

1. ALL DIMENSIONS AND CONDITIONS SHALL BE FIELD VERIFIED BY CONTRACTOR PRIOR TO CONSTRUCTION.



STRUCTURAL DETAILS



PROJECT DESIGN ENGINEER	DATE
DESIGN-DETAILED	
CHECKED	
REVISIONS	
FIELD CHANGES	
PLANS	



100% DESIGN SUBMISSION-09/30/04

STATE OF MAINE
DEPARTMENT OF TRANSPORTATION

ELECTRICAL PANEL ENCLOSURE BUILDING AT PORTLAND INTERNATIONAL MARINE TERMINAL

COMMERCIAL STREET - PORTLAND, MAINE