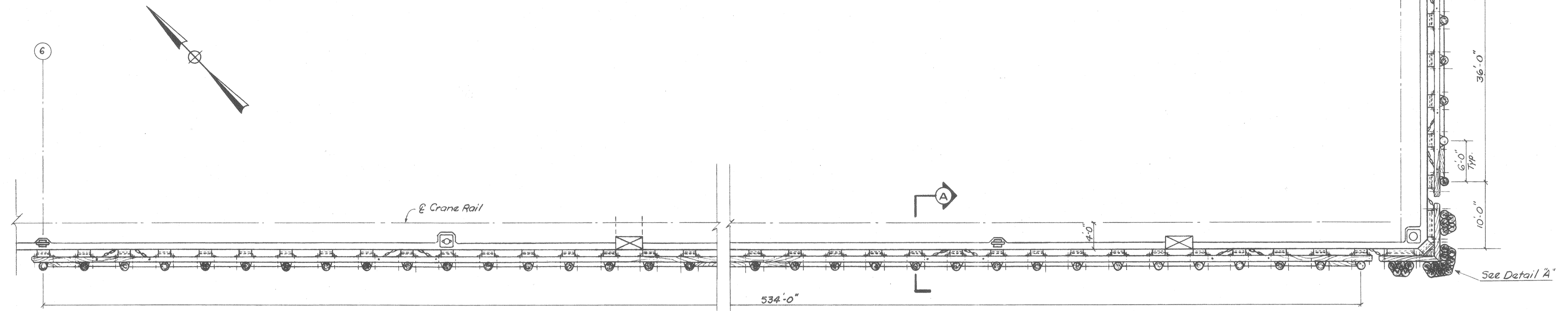
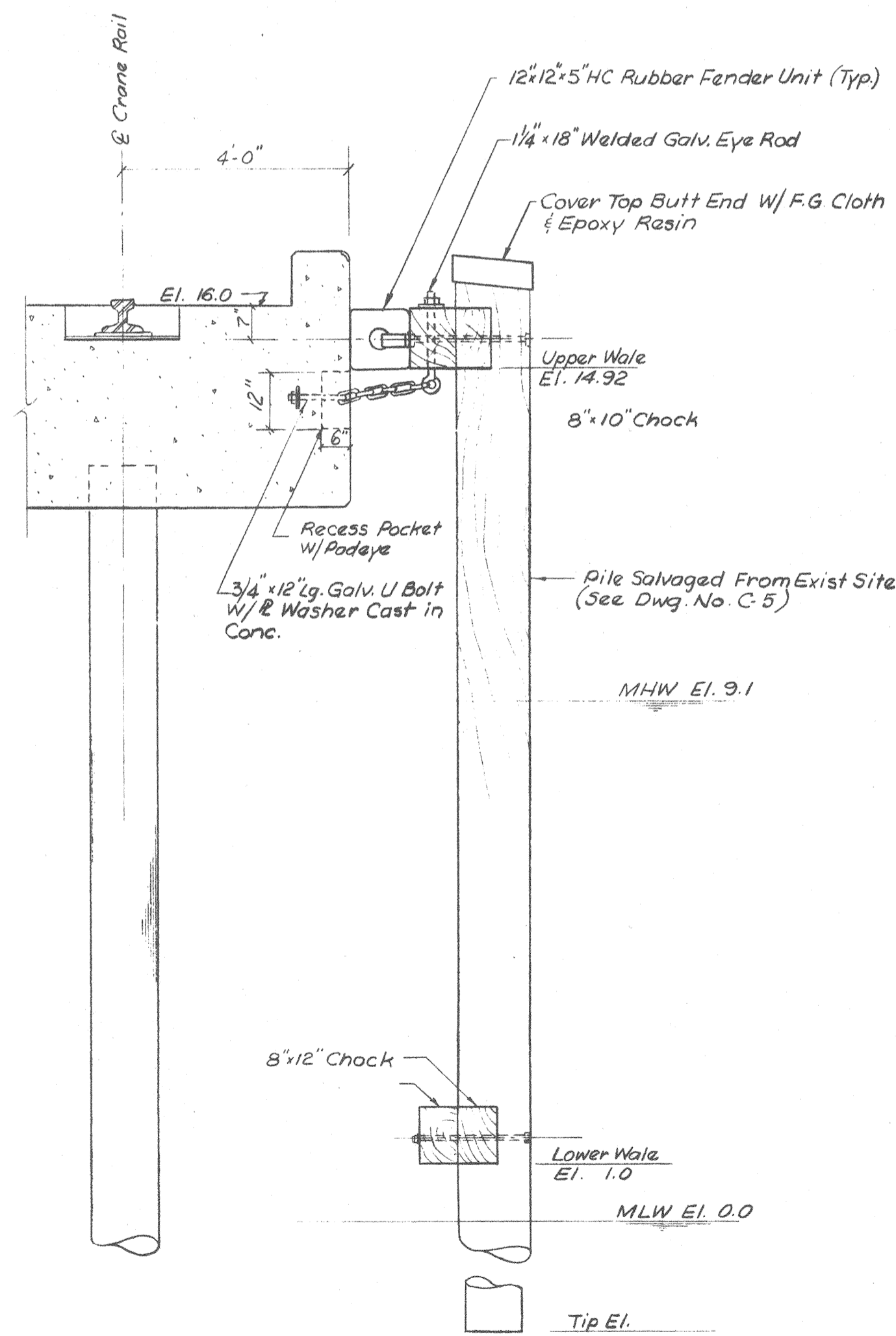


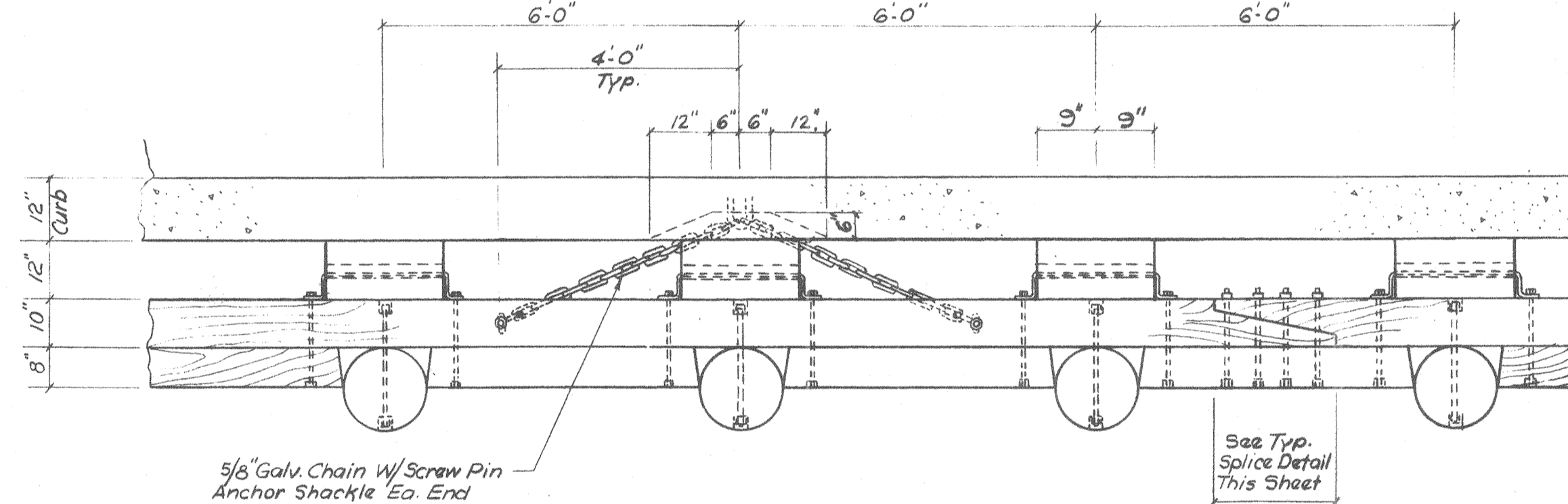
Filename: \\Portland\Projects\203438 Ocean Gateway - Phase 1 Engineering\Project Deliverables\2004-10-27, Issued for BID\CAD Drawings\Appendix\20343802-R34.dwg, Oct 07, 2004 - 5:51pm



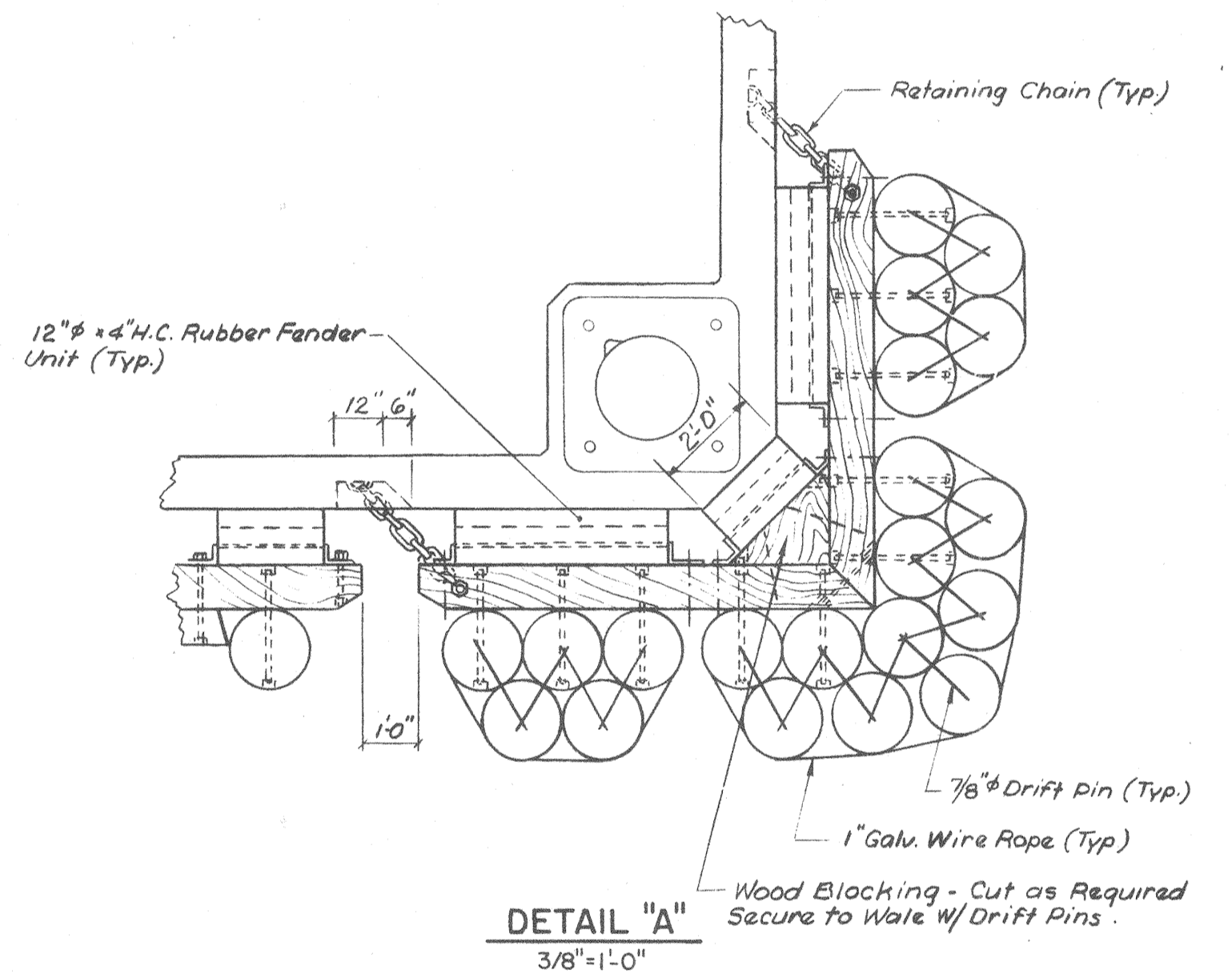
PLAN  
1/8" = 1'-0"



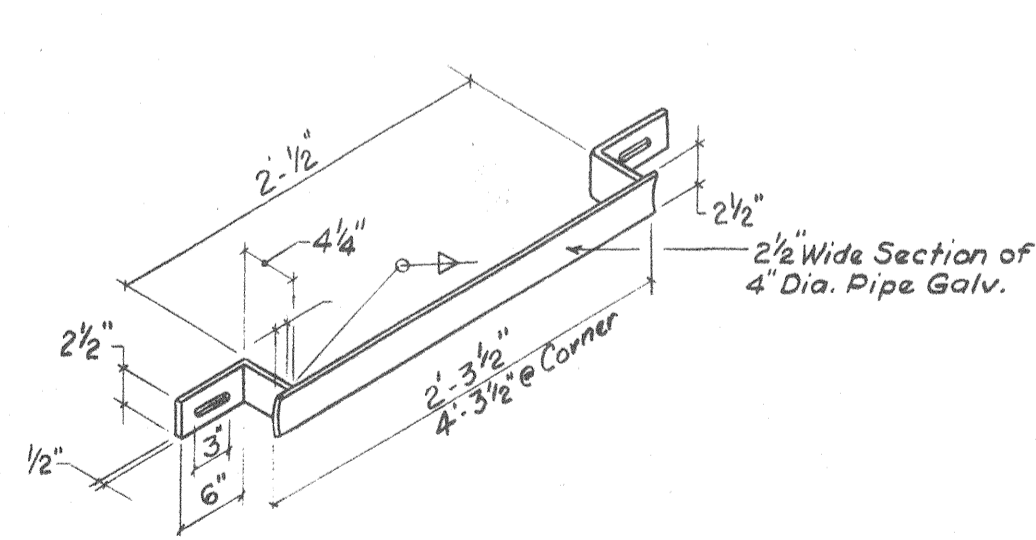
SECTION  
1/2" = 1'-0"



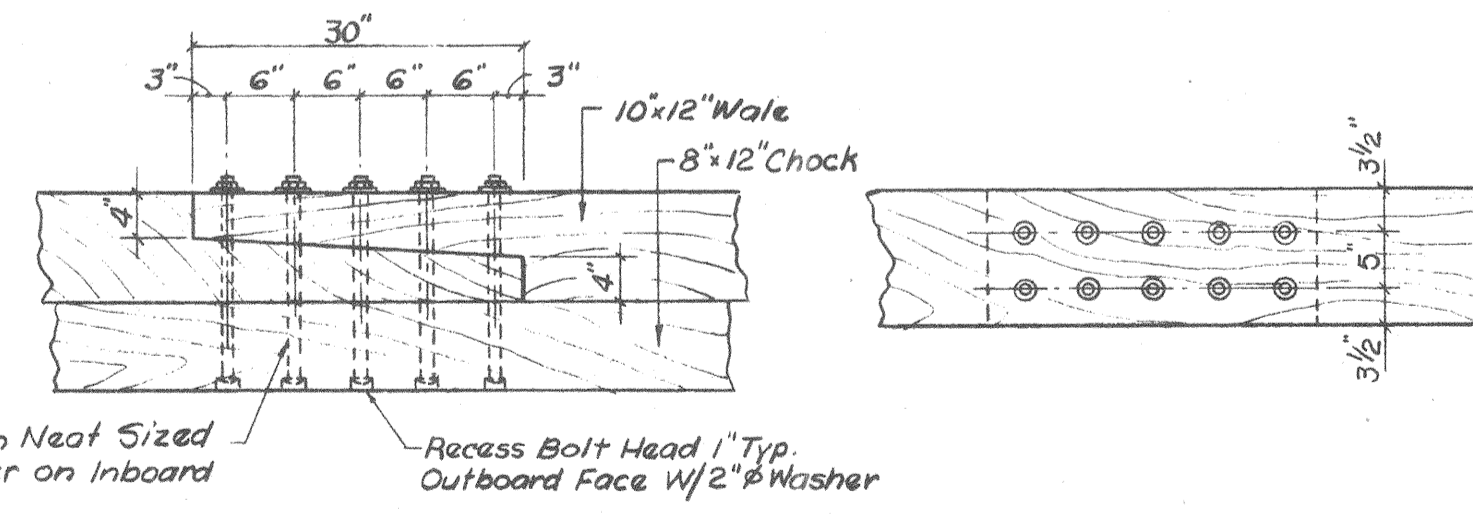
PARTIAL PLAN AT DECK  
1/2" = 1'-0"



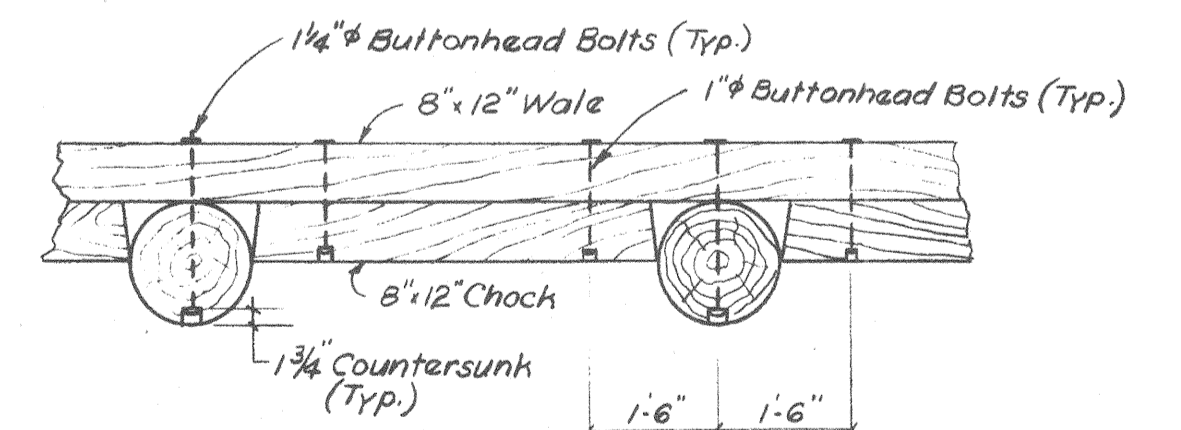
DETAIL "A"  
3/8" = 1'-0"



FENDER MOUNTING BRACKET  
N.T.S.

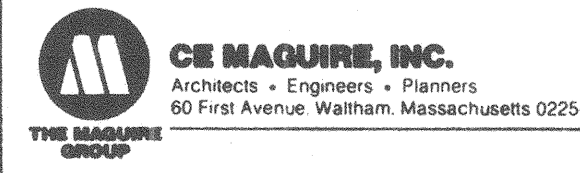
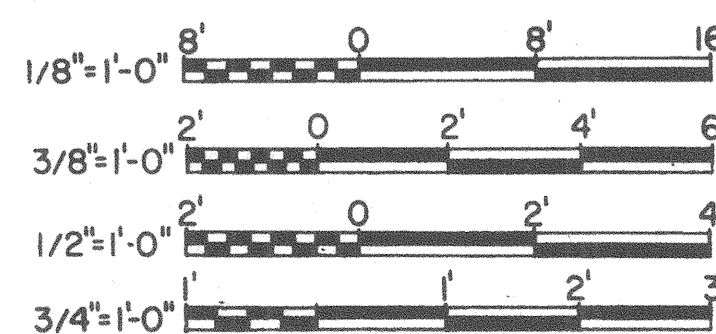


TYPICAL TIMBER WALE SPLICE DETAILS  
3/4" = 1'-0"



PARTIAL PLAN - LOWER WALE  
1/2" = 1'-0"

SHEET REDUCED FOR OCEAN GATEWAY BID SET. CHECK SCALE BEFORE USING.



**PORTLAND SHIP REPAIR FACILITY**  
BATH IRON WORKS CORPORATION  
Bath, Maine



DESIGNED BY:  
DRAWN BY: C. St. P.  
CHECKED BY:  
PROJECT NO: 3995

TITLE:  
DATE: APRIL, 1982

DESCRIPTION:  
SCALE: AS NOTED

ISSUED	
APR 30 1982	
B. L. W. PLANT ENGRS.	
REVISION NO.	DESCRIPTION
FENDER SYSTEM DETAILS	
<b>R-34</b>	
DRAWING NO. 10534	
BIW DRAWING NO.	