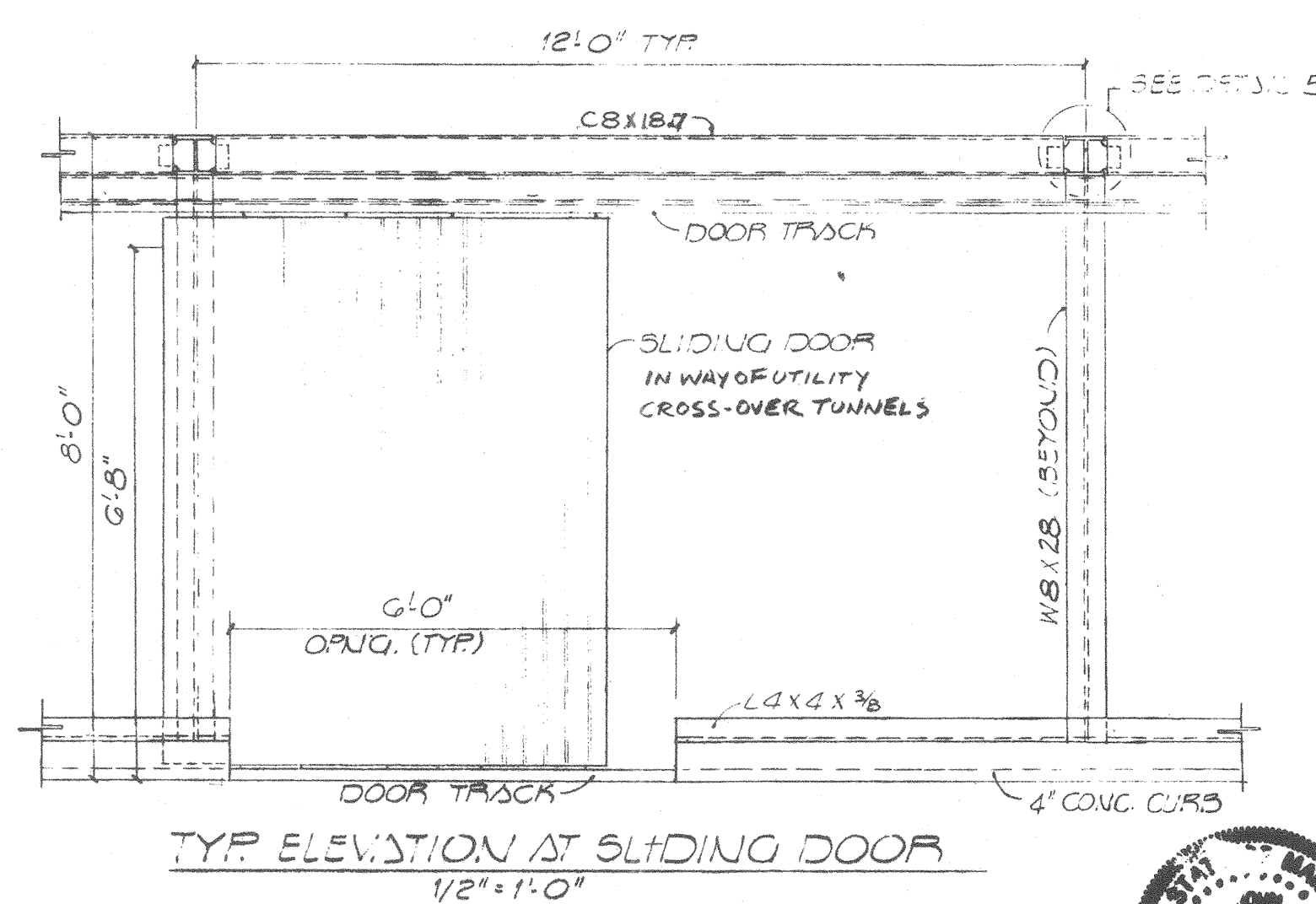
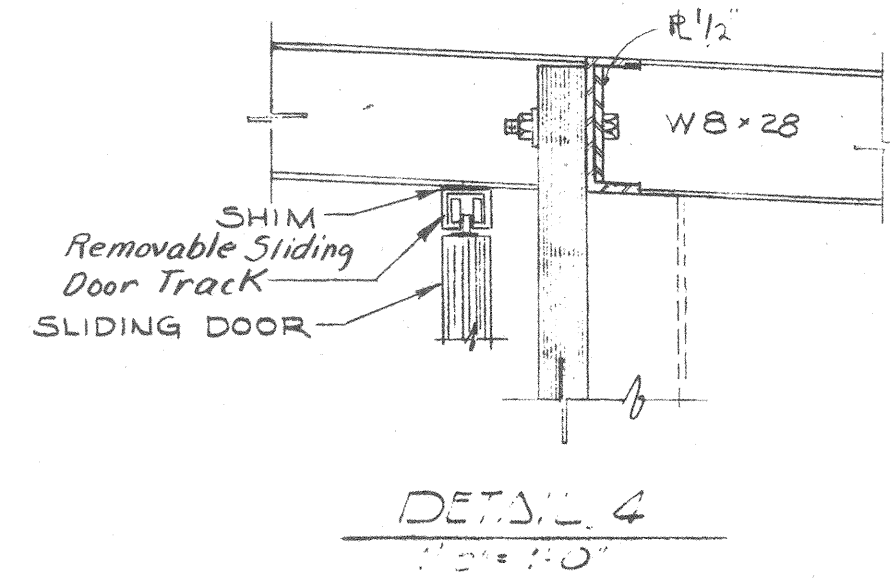
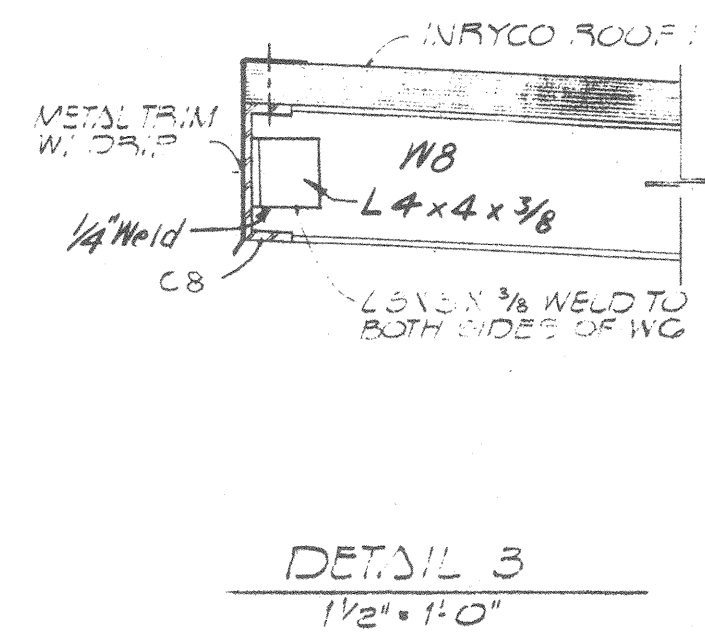
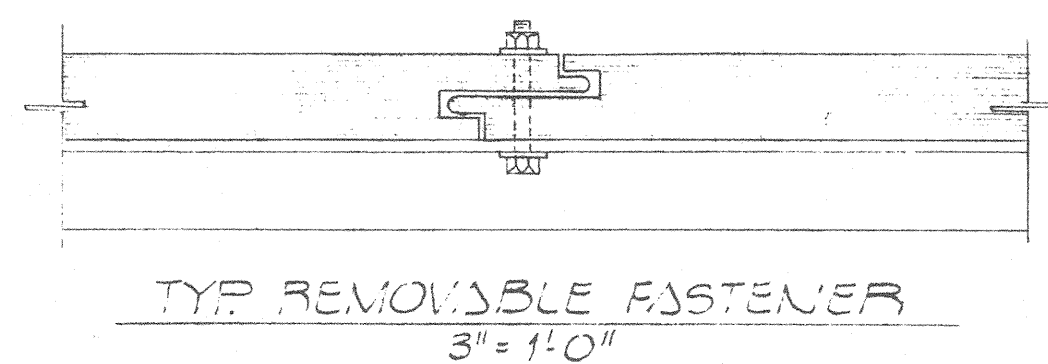
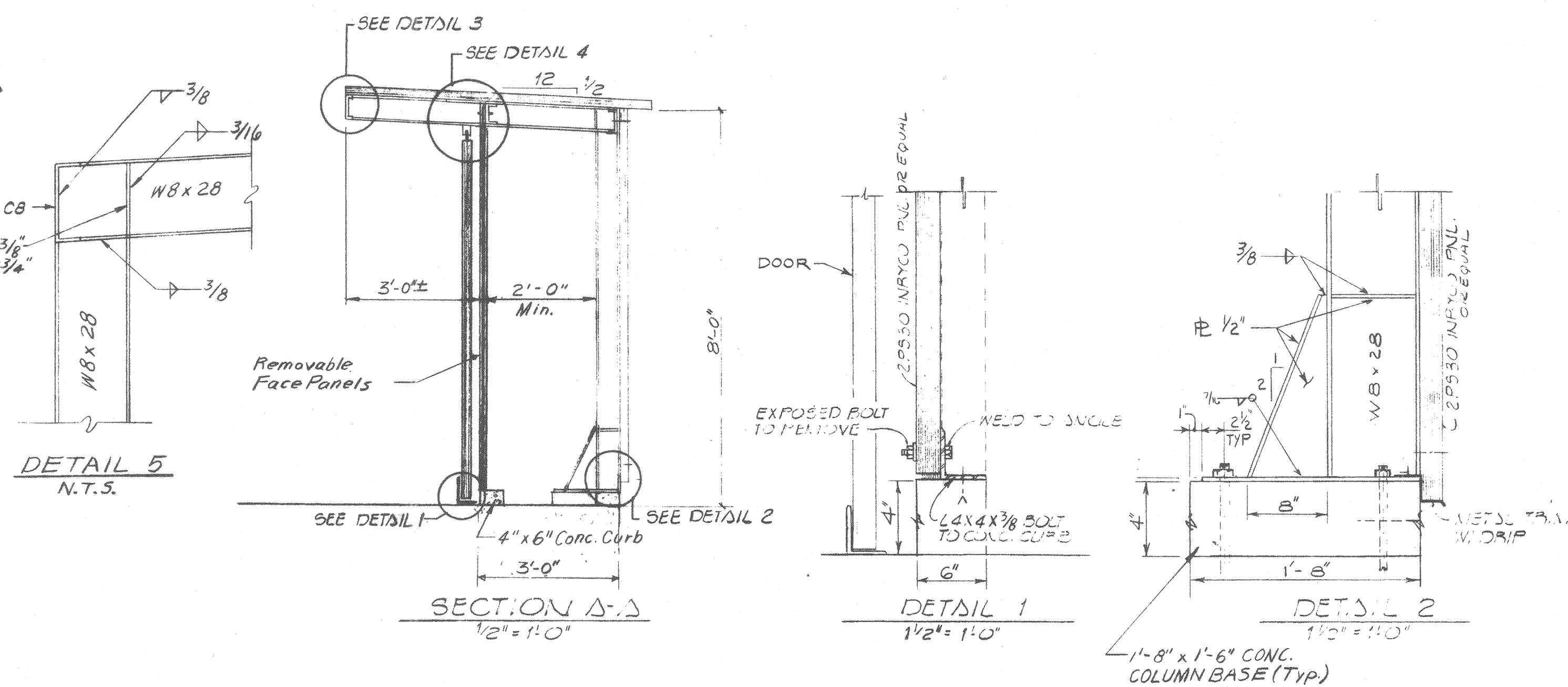
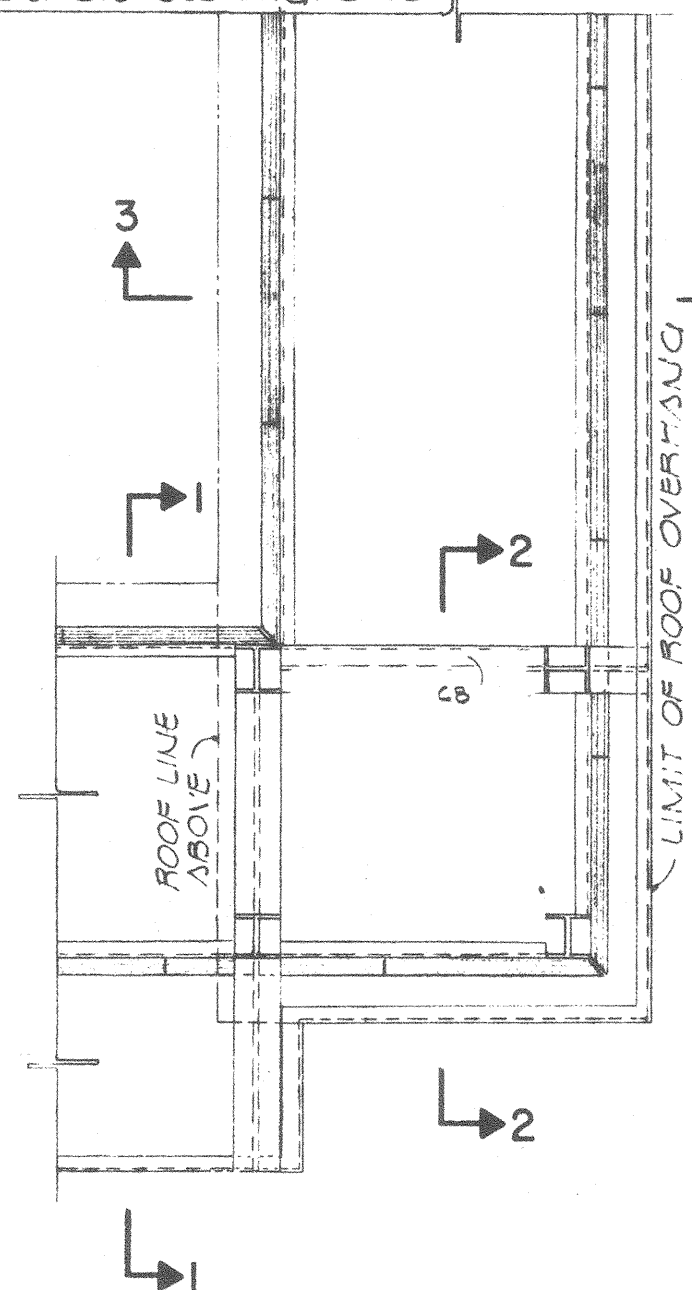
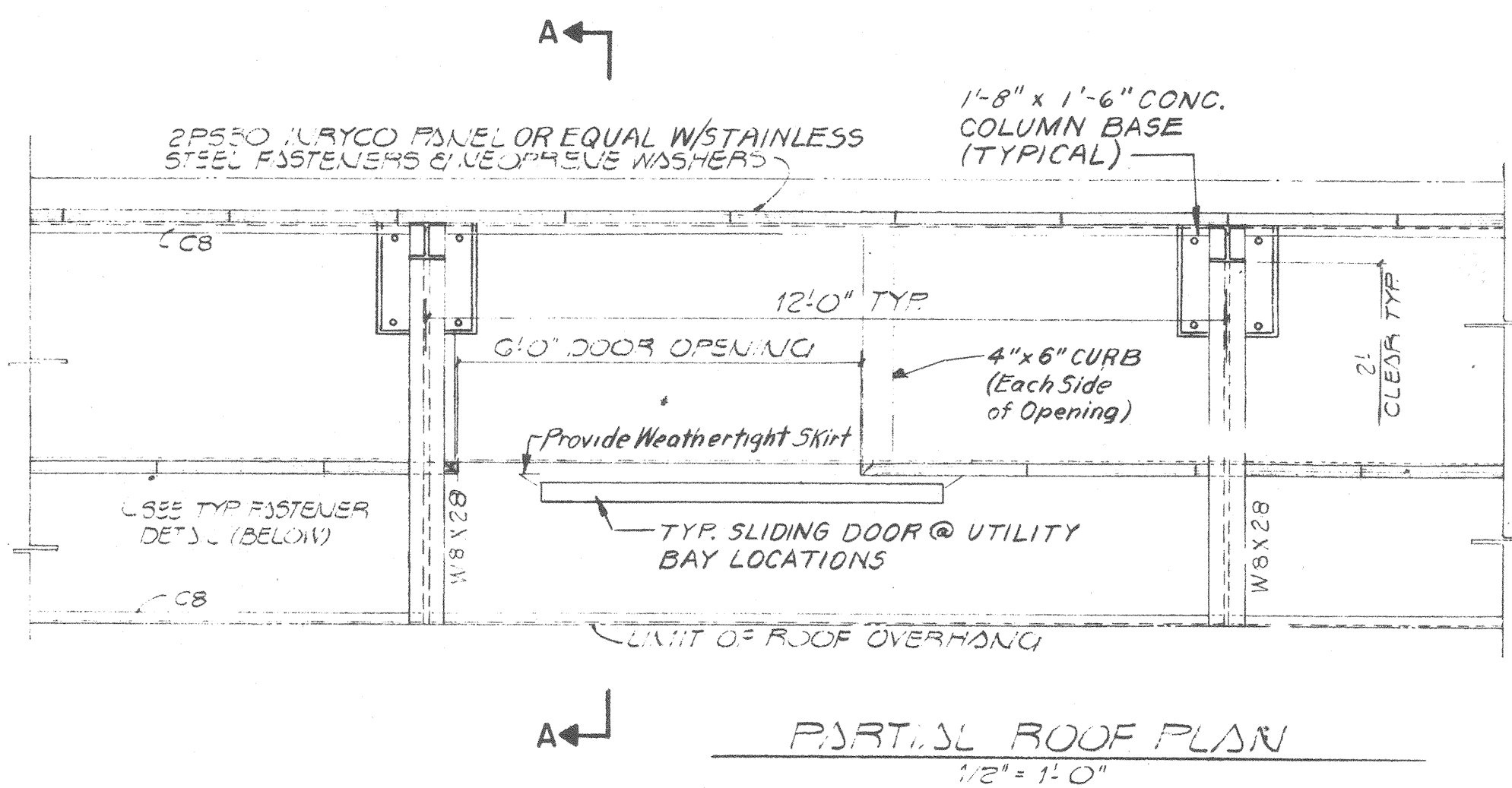


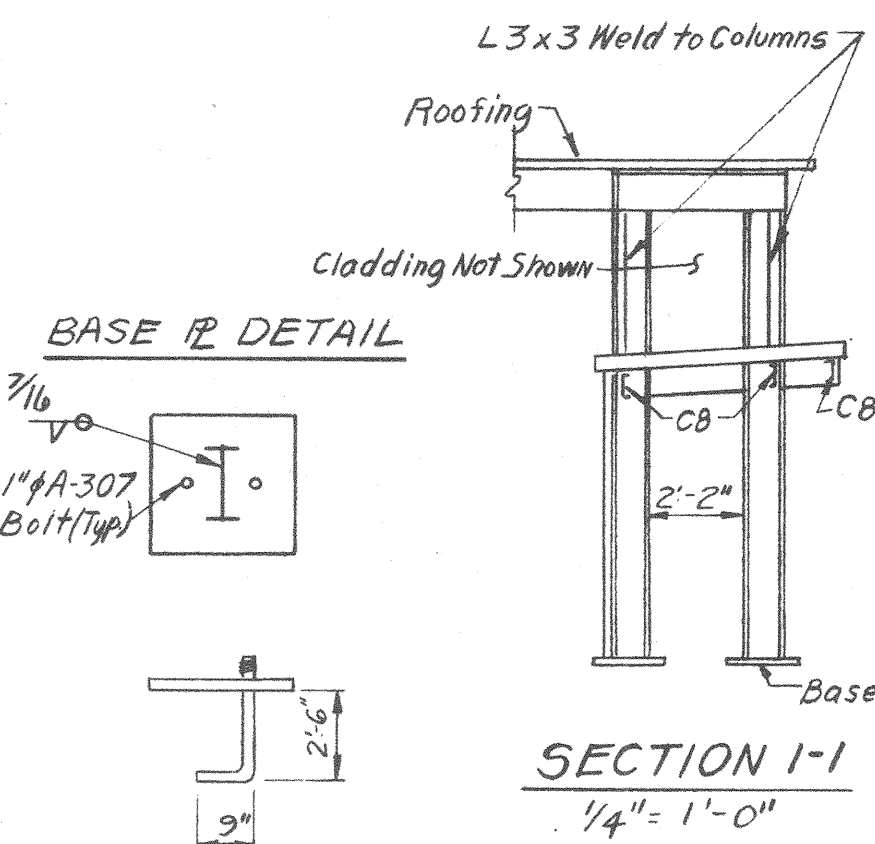
Filename: \\Portland\Projects\203438 Ocean Gateway - Phase 1 Engineering\Project Deliverables\2004-10-27, Issued for BID\CAD Drawings\Appendix\20343802-R33.dwg, Oct 07, 2004 - 5:50pm

FOR CONTINUATION SEE DWG. U-42

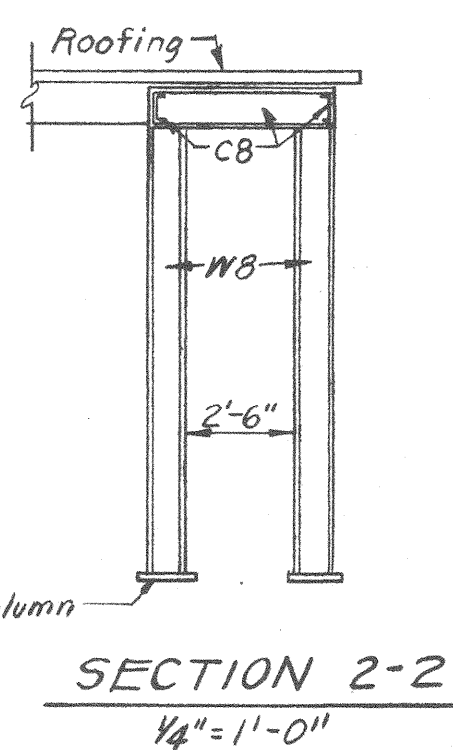


NOTE WELL :
ENCLOSURE DETAILS SHOWN ARE SCHEMATIC FOR GENERAL CONCEPT ONLY. CONTRACTOR TO PROVIDE SHEATHING PLAN AND DETAILS FOR PRE-ENGINEERED PANELS. PANEL DESIGN SHALL CONFORM TO LOCAL BUILDING CODE REQUIREMENTS. ENCLOSURE SHALL BE FULLY WEATHERTIGHT. SEE SPECIFICATIONS.

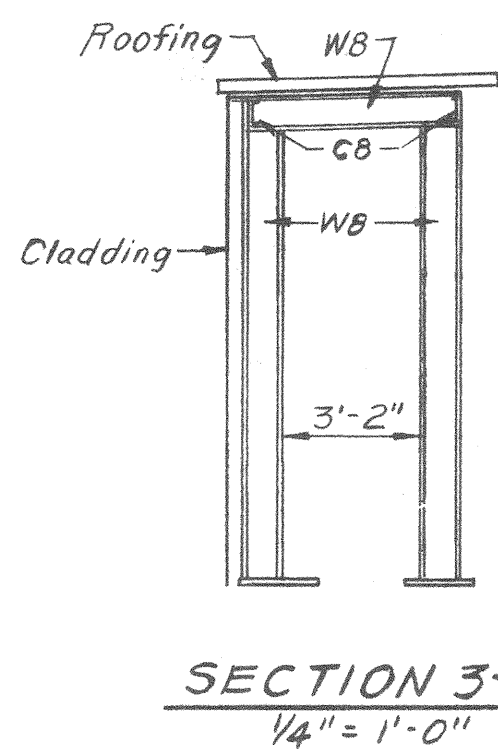
BID COPY



SECTION 1-1
1/4" = 1'-0"

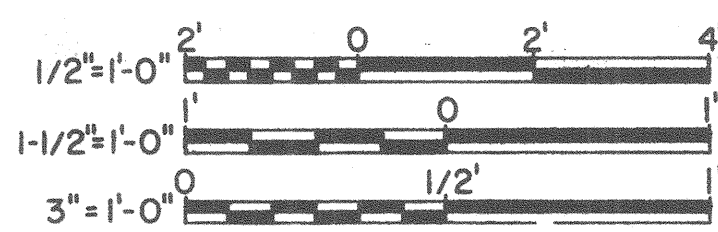


SECTION 2-2
1/4" = 1'-0"



SECTION 3-3
1/4" = 1'-0"

SHEET REDUCED FOR OCEAN GATEWAY BID SET. CHECK SCALE BEFORE USING.



CE MAGUIRE, INC.
Architects • Engineers • Planners
60 First Avenue, Waltham, Massachusetts 02254

PORTLAND SHIP REPAIR FACILITY
BATH IRON WORKS CORPORATION
Bath, Maine



DESIGNED BY: J.G.
DRAWN BY: J.M.H.
CHECKED BY: R.P.M.
PROJECT NO: 3995

ISSUED	
APR 30 1982	
S. L. W. PLANT ENGRS.	
REVISION NO.	DESCRIPTION
TITLE: REPAIR PIER UTILITY STRUCTURE DETAILS	
DATE: APRIL, 1982	SCALE: AS NOTED
DRAWING NO. 10533	
BIM DRAWING NO.	

R-33