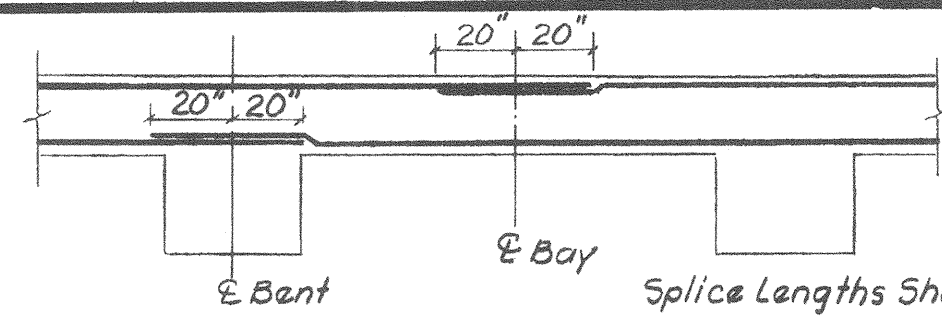
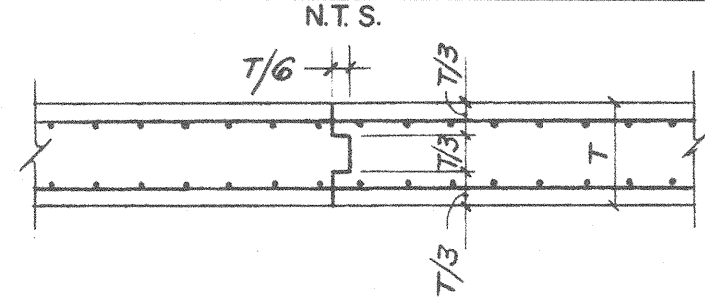


Filename: \\Portland\Projects\203438 Ocean Gateway - Phase 1 Engineering\Project Deliverables\2004-10-27_ Issued for BID\CAD Drawings\Appendix\20343802-R31.dwg, Oct 07, 2004 - 5:48pm

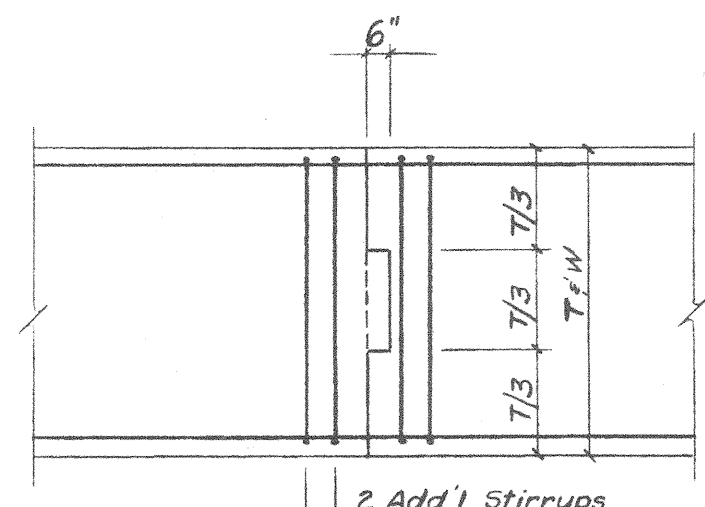


TYP. SPLICES FOR SLAB REINFORCING



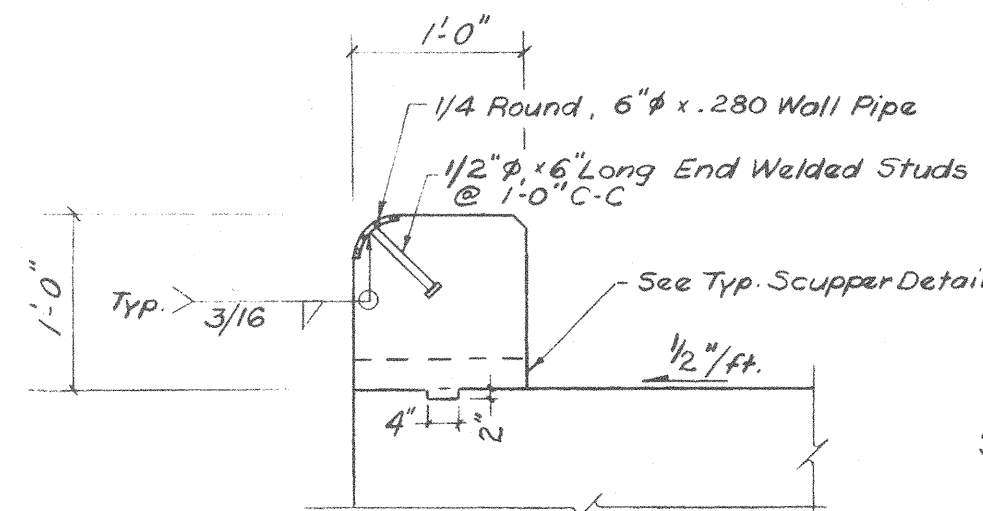
TYP. SLAB CONSTRUCTION JOINT

SCALE: 1/2"=1'-0"



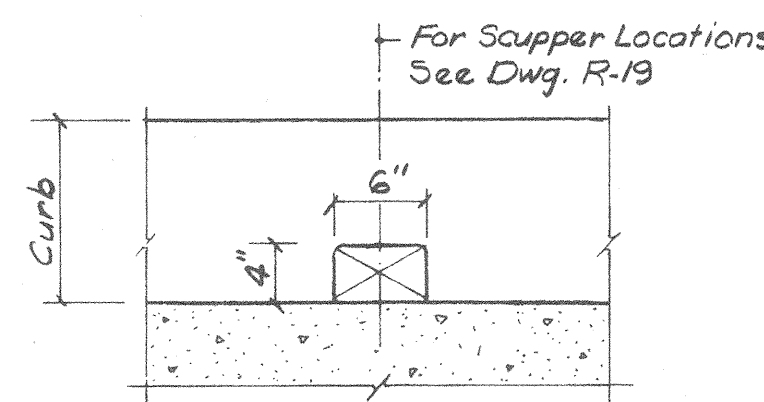
TYP. BEAM CONSTRUCTION JOINT

SCALE: 1/2"=1'-0"



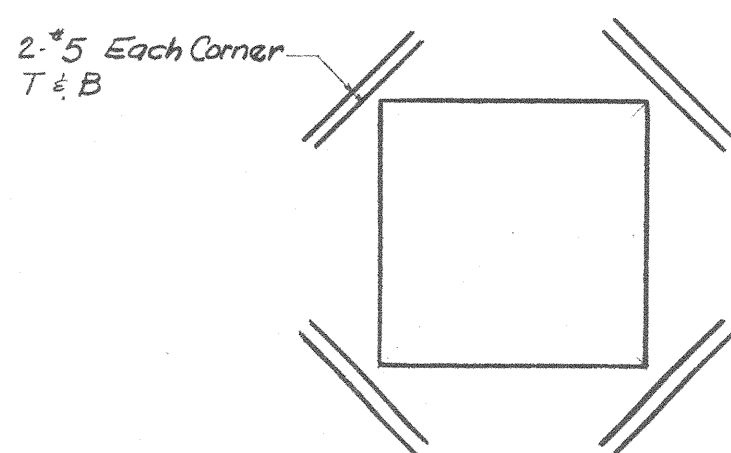
TYPICAL CURB DETAIL

SCALE: 1"=1'-0"

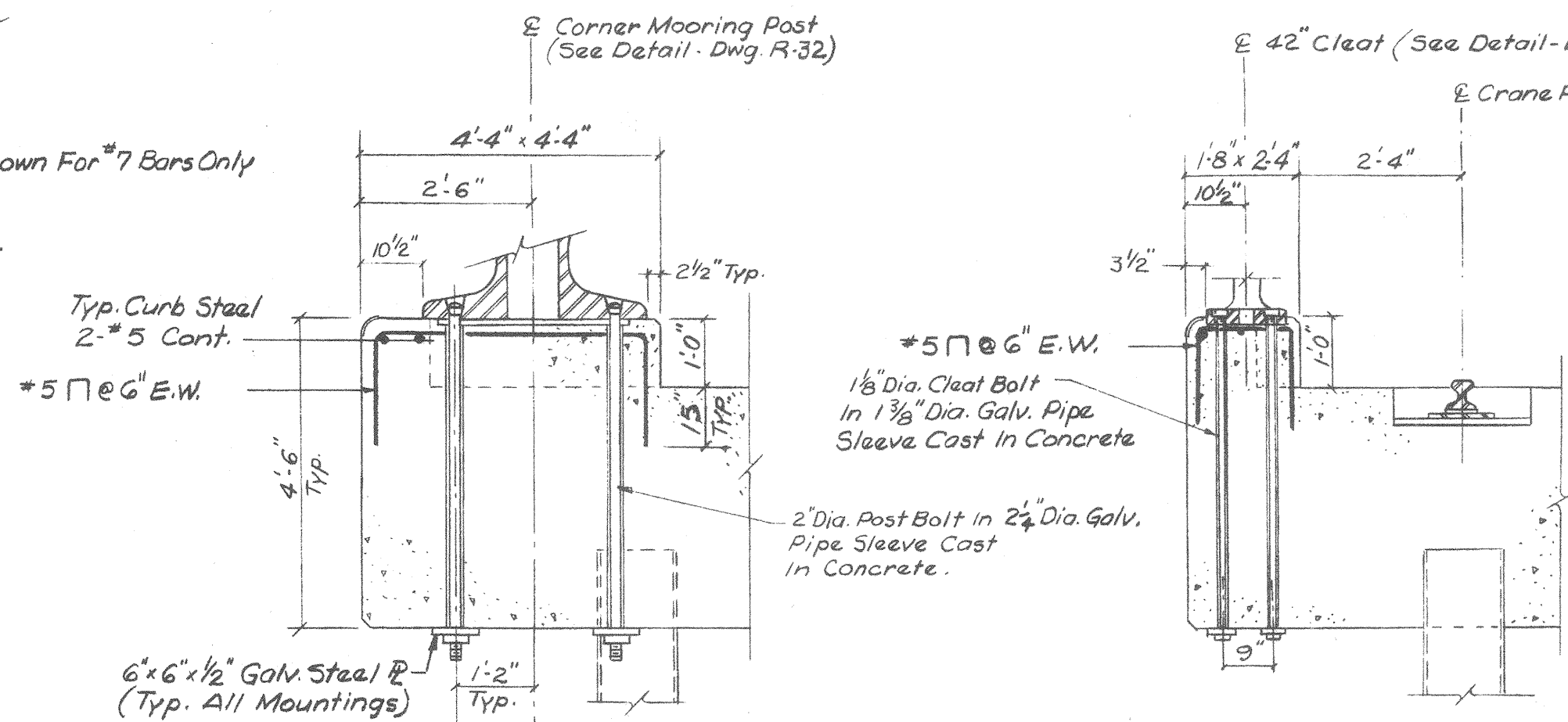


TYPICAL SCUPPER DETAIL

SCALE: 1"=1'-0"



ADDITIONAL REINF. AT 4'x4' MANHOLE



TYPICAL SECTION 18

SCALE: 1/2"=1'-0"

TYPICAL SECTION 6

SCALE: 1/2"=1'-0"

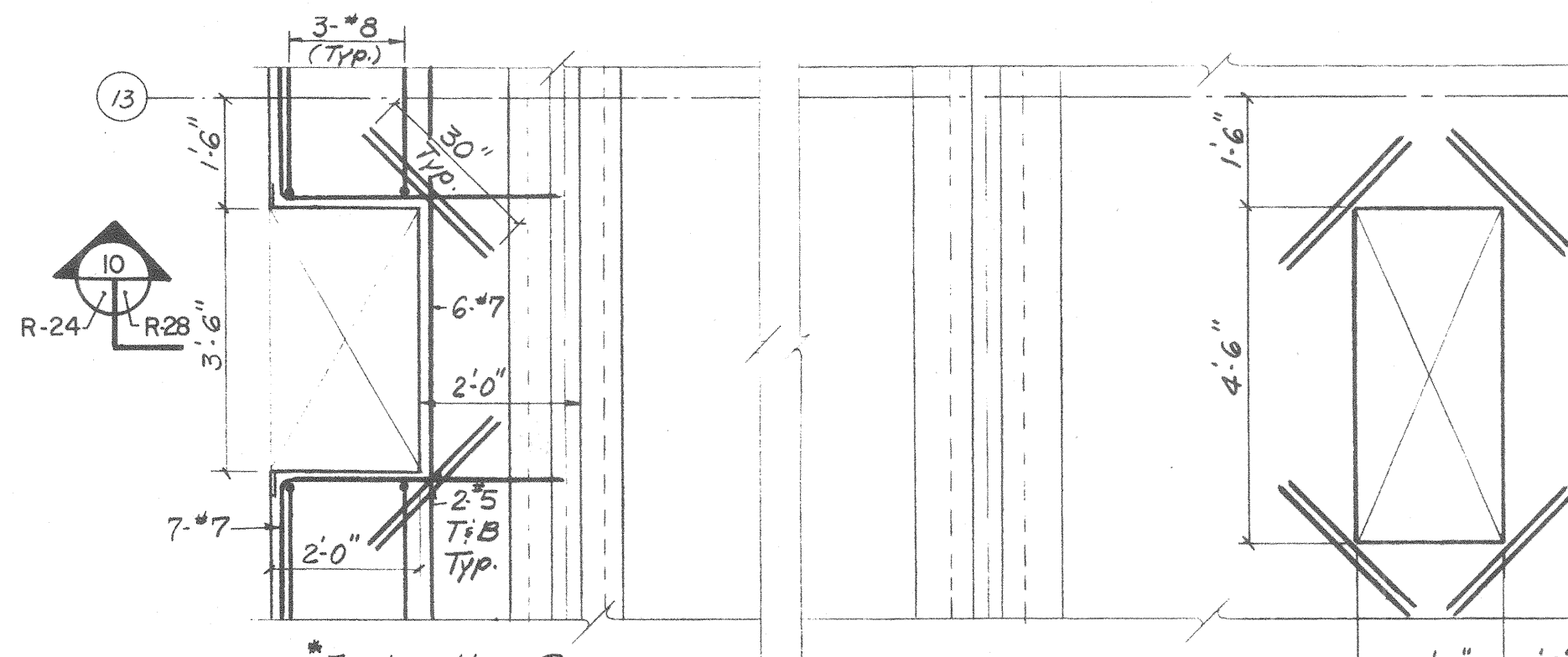
Note:
All Pipe Sleeves To Be
Hot Dipped Galvanized.
For Additional Reinf. @
Sects. 4, 6, 7, 9, 18 See Dwg. S-22

TYPICAL SECTION 7

SCALE: 1/2"=1'-0"

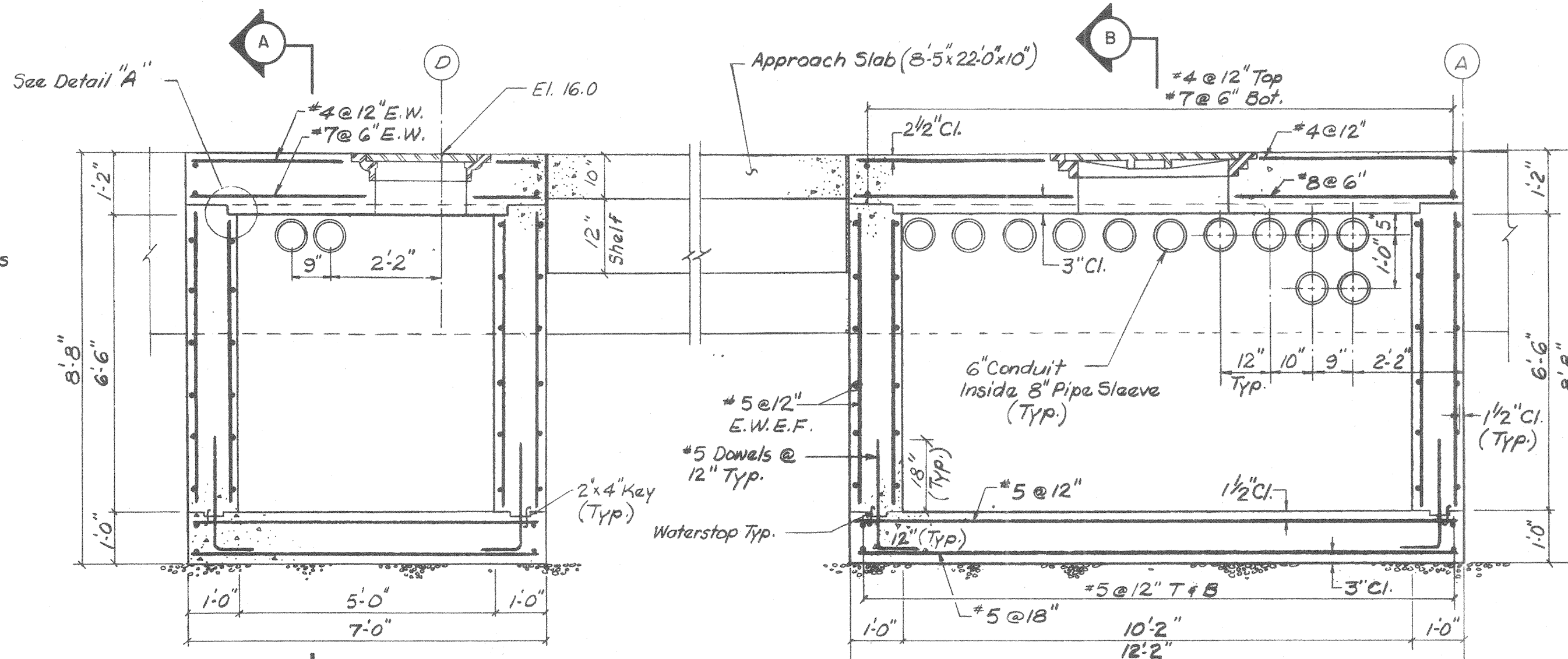
TYPICAL SECTION 9

SCALE: 1/2"=1'-0"



PLAN - UTILITY OPENINGS*

SCALE: 1/2"=1'-0"



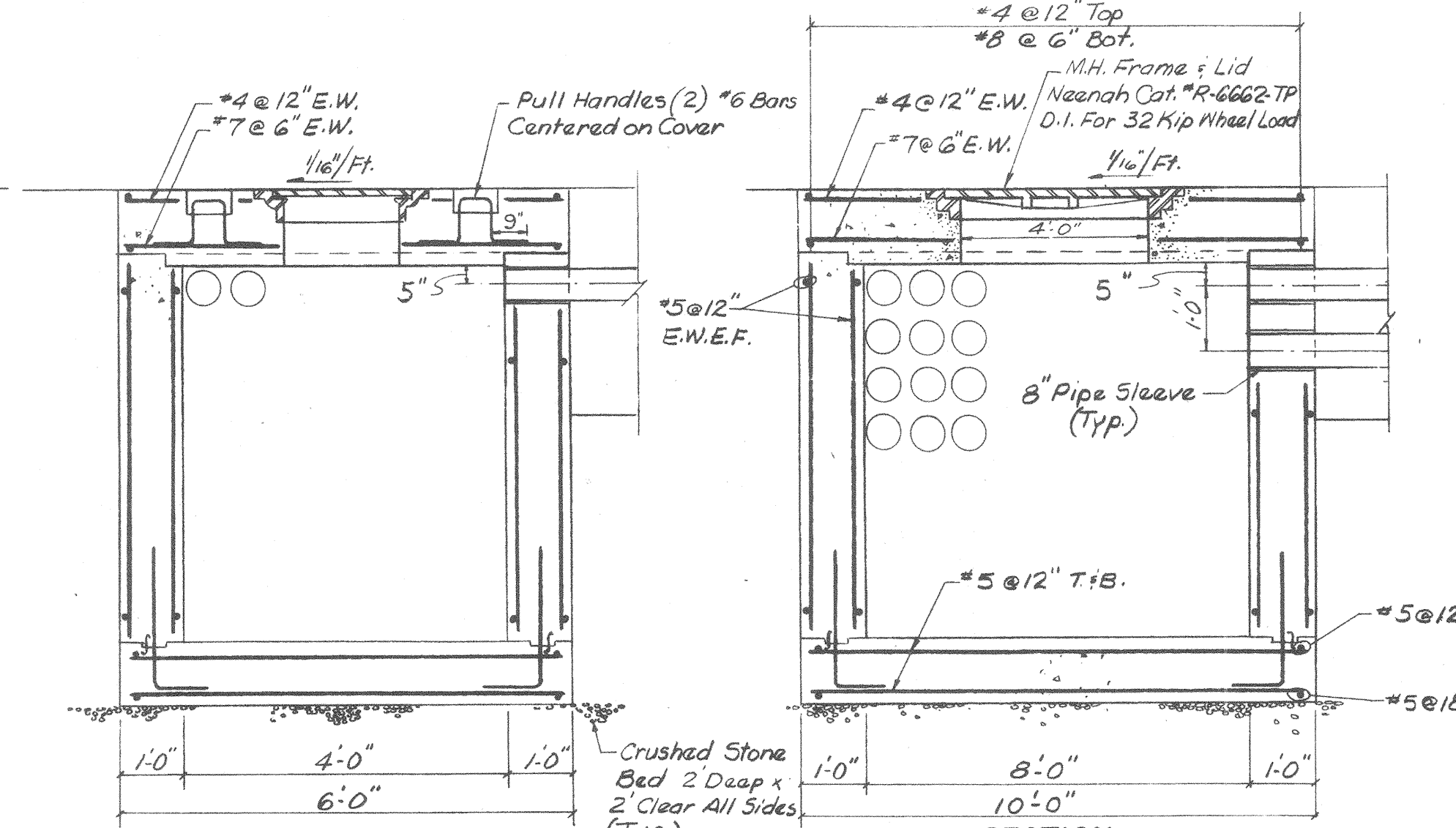
SECTION 3

R-24

Note: Reinf. Similar Both Vaults
Except As Noted.

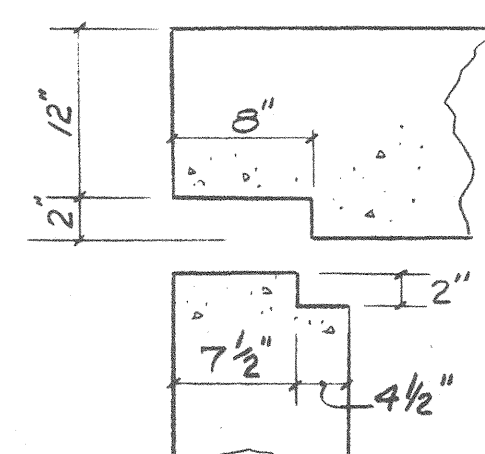
ELECTRIC VAULT DETAILS

N.T.S.



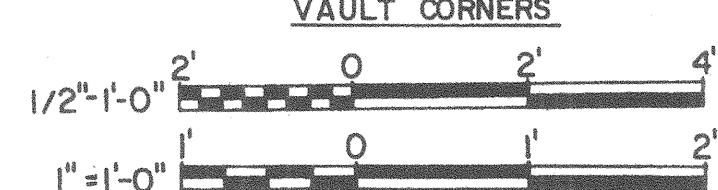
SECTION A

SECTION B



DETAIL "A"

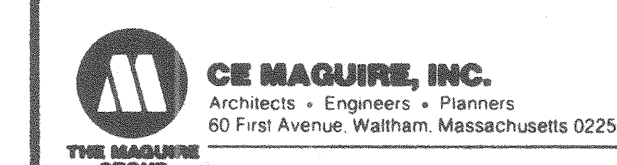
N.T.S.



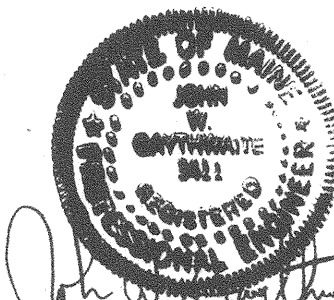
TYP. PLAN OF REINF. AT VAULT CORNERS

1/2"=1'-0"
1"=1'-0"

SHEET REDUCED FOR OCEAN
GATEWAY BID SET. CHECK SCALE
BEFORE USING.



PORTLAND SHIP REPAIR FACILITY
BATH IRON WORKS CORPORATION
Bath, Maine



DESIGNED BY: R.S.
DRAWN BY: C.St.P.
CHECKED BY: R.S./J.G.
PROJECT NO: 3995

ISSUED	
APR 30 1982	
B.L.W. PLANT ENGRS.	
REVISION NO.	DESCRIPTION
TITLE: REPAIR PIER MISCELLANEOUS DETAILS I	
DATE: APRIL 1982	SCALE: AS NOTED
R-31	
DRAWING NO. 10531	
BIW DRAWING NO.	

BID COPY