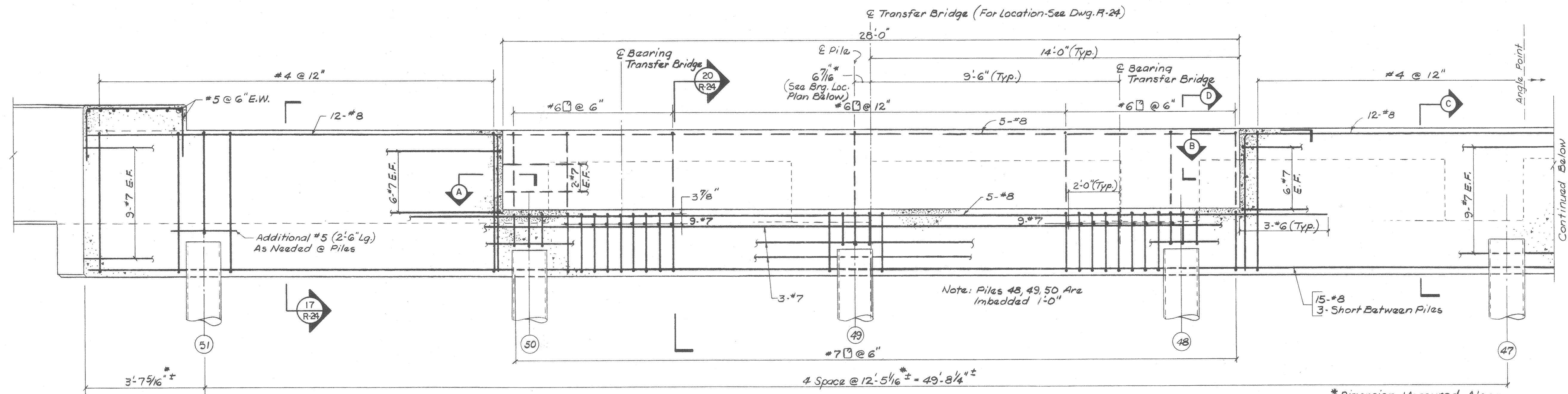
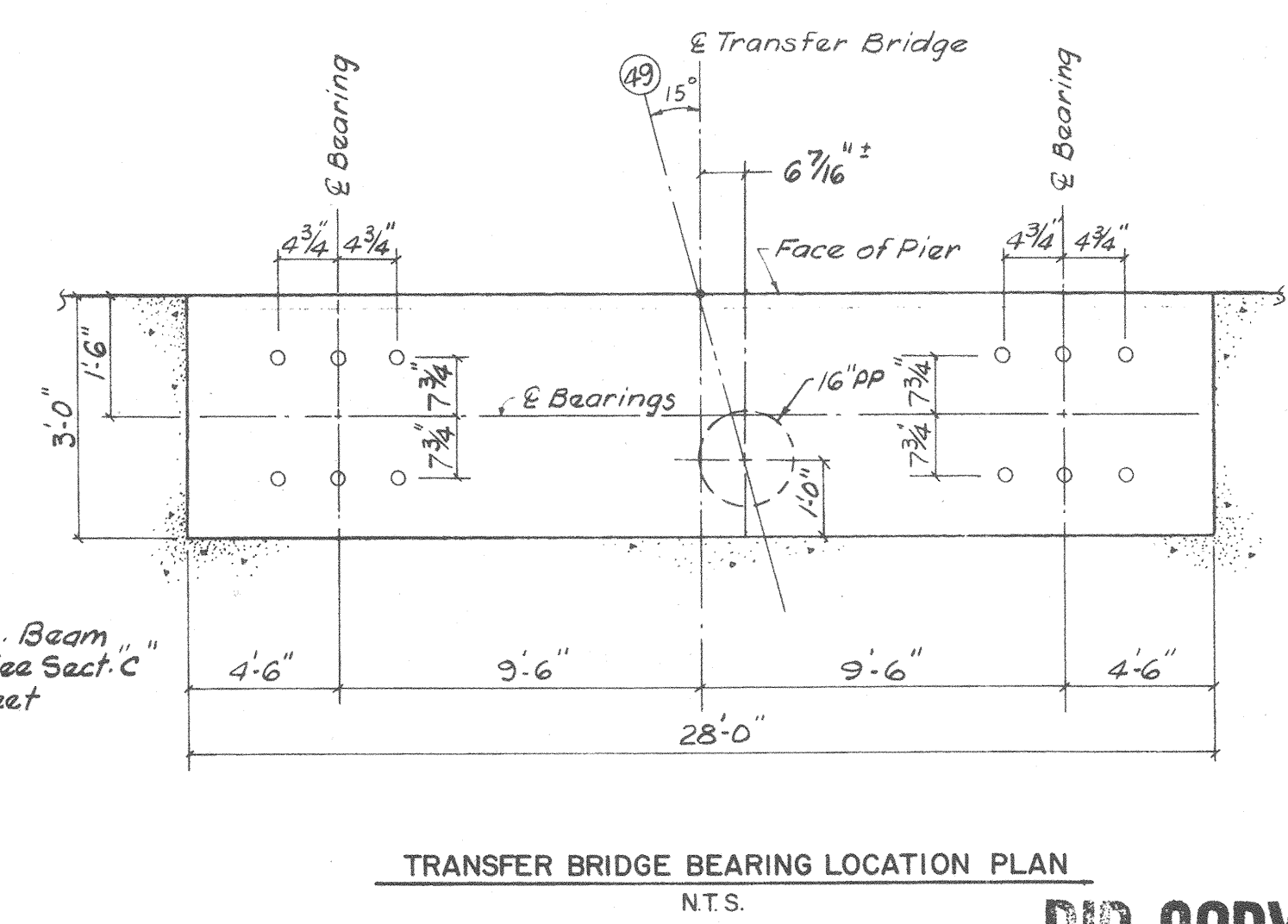
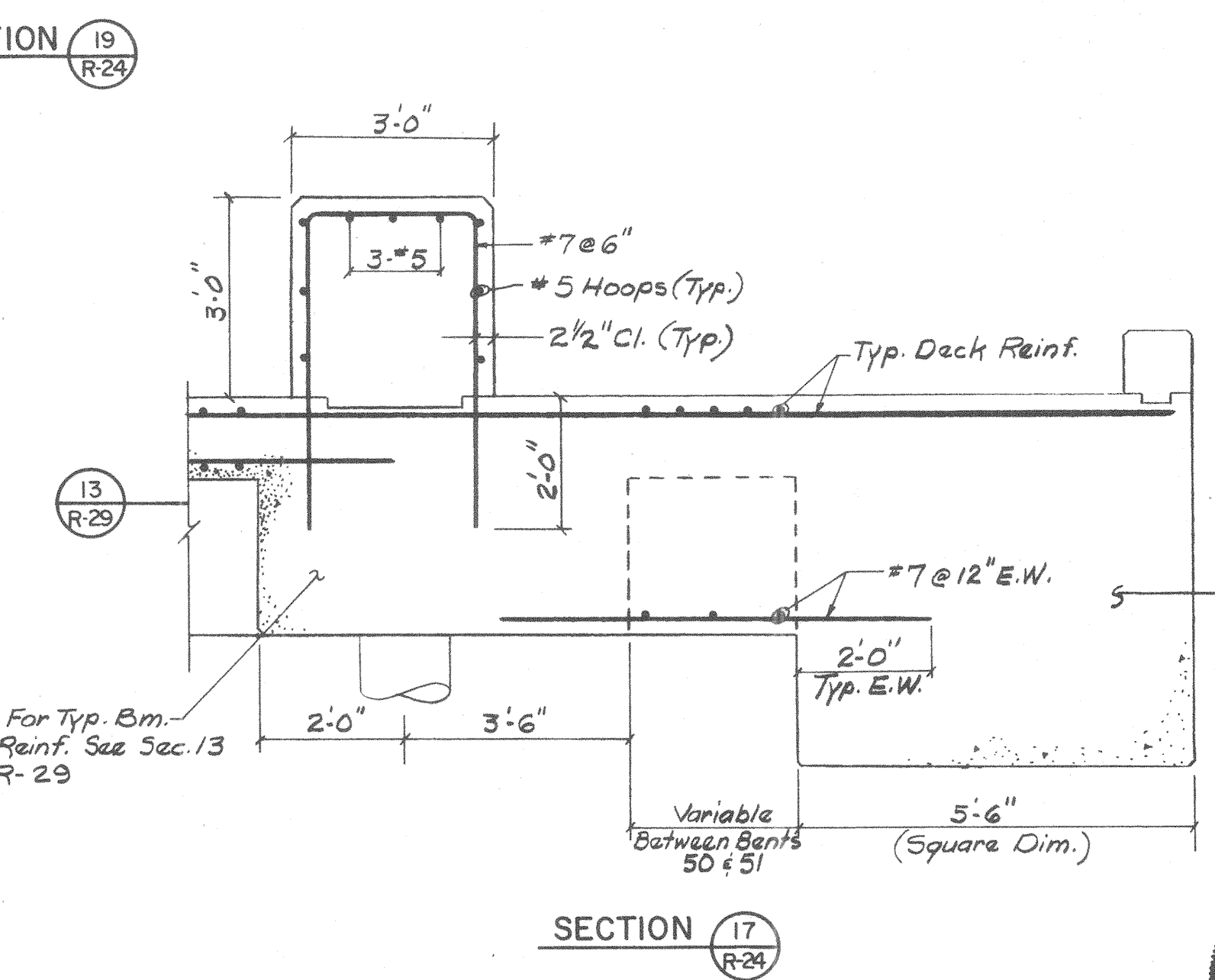
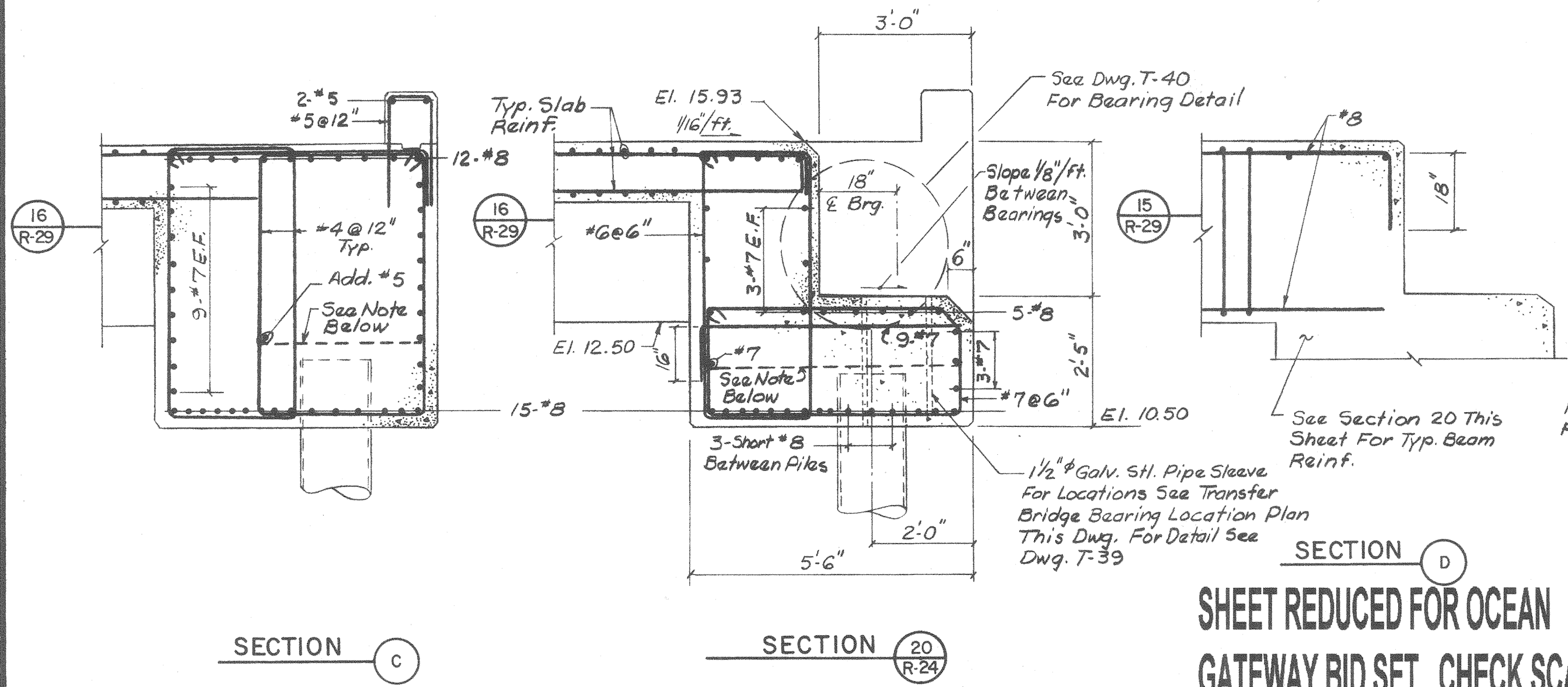
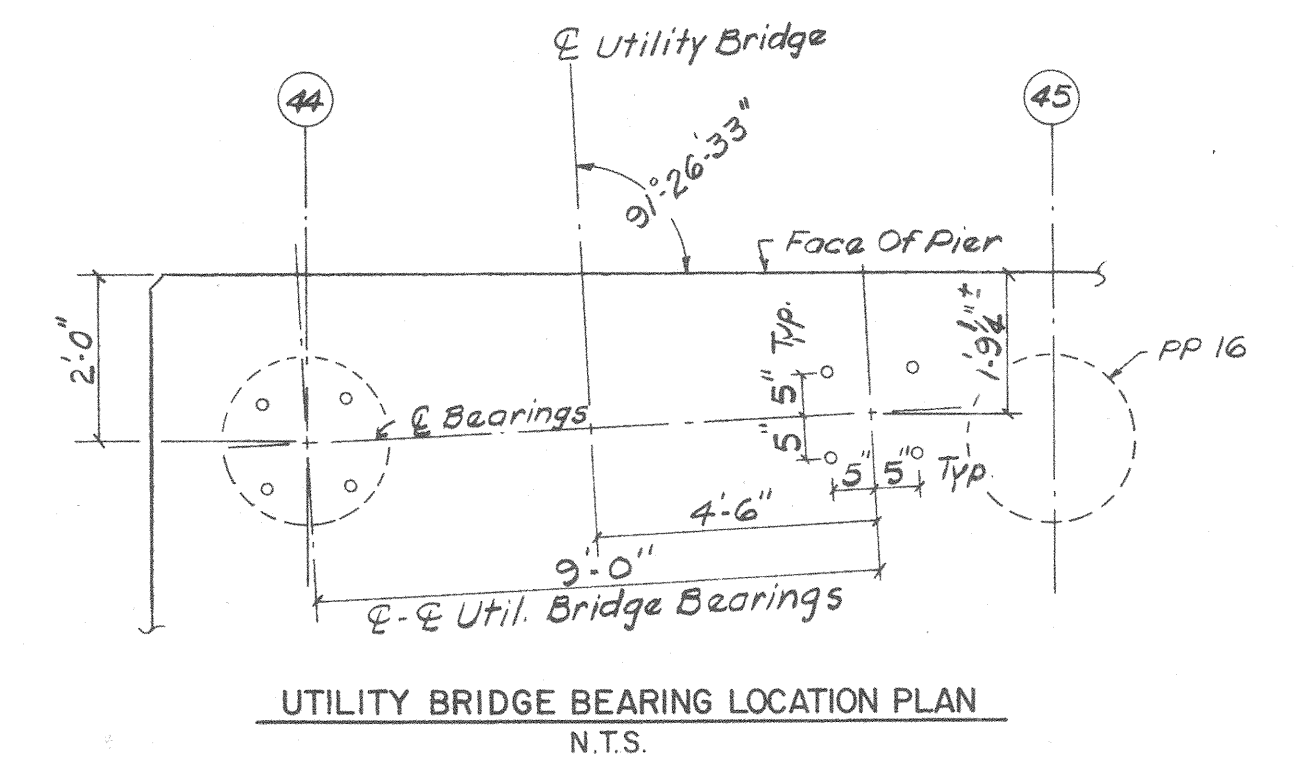
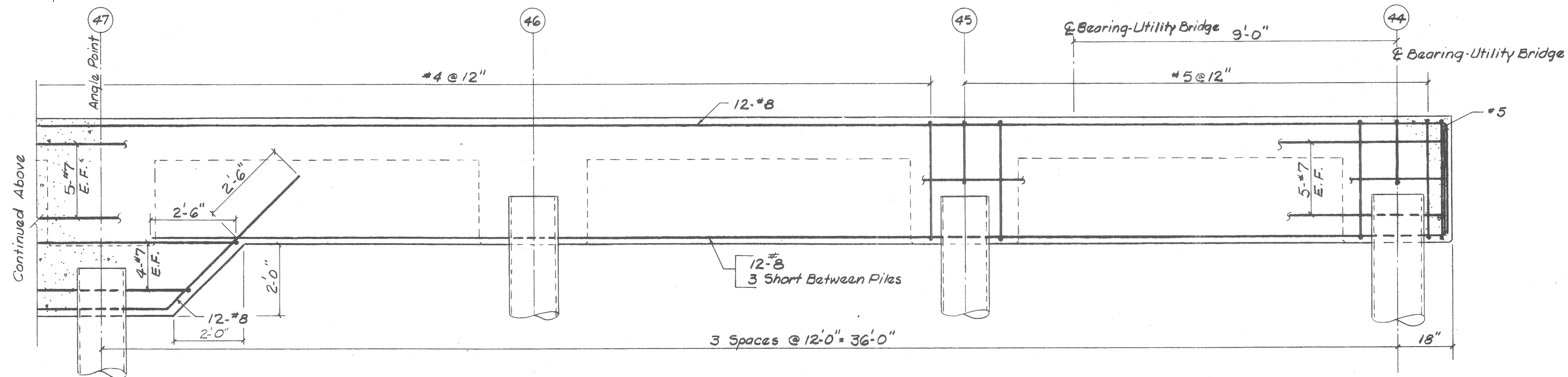
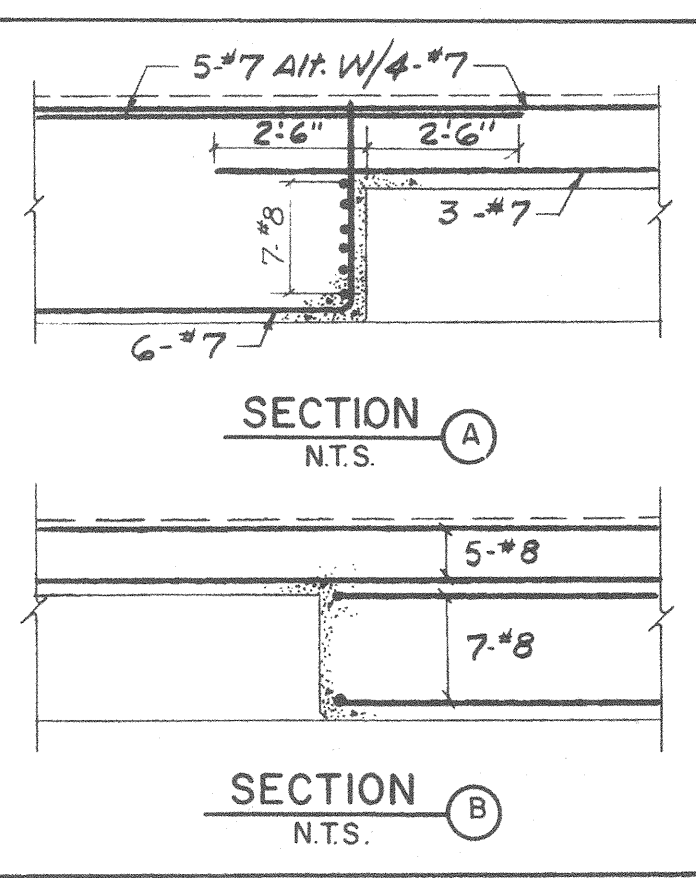


Filename: \\Portland\Projects\203438 Ocean Gateway - Phase 1 Engineering\Project Deliverables\2004-10-27, Issued for BID\CAD Drawings\Appendix\20343802-R30.dwg, Oct 07, 2004 - 5:47pm

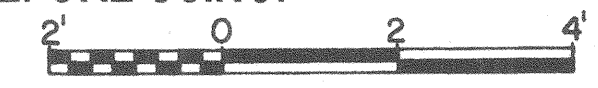


* Dimension Measured Along Face of Girder.



Note: Location Of Stirrups @ Piles

SHEET REDUCED FOR OCEAN GATEWAY BID SET. CHECK SCALE BEFORE USING.



| | | | | |
|---|--|--|---|--|
| <p>CE MAGUIRE, INC. Architects • Engineers • Planners 50 First Avenue, Waltham, Massachusetts 02254</p> | <p>PORTLAND SHIP REPAIR FACILITY BATH IRON WORKS CORPORATION Bath, Maine</p> | DESIGNED BY: R.S. DRAWN BY: C.S.P. CHECKED BY: R.S. & J.G. | TITLE: REPAIR PIER CONCRETE REINFORCING \bar{I} | |
| | | PROJECT NO: 3995 DATE: APRIL, 1982 SCALE: 1/2" = 1'-0" | REVISION NO. DESCRIPTION ISSUED APR 30 1982 B.L.W. PLANT ENGRS. | |
| | | DRAWING NO. R-30 10530 SHW DRAWING NO. | | |