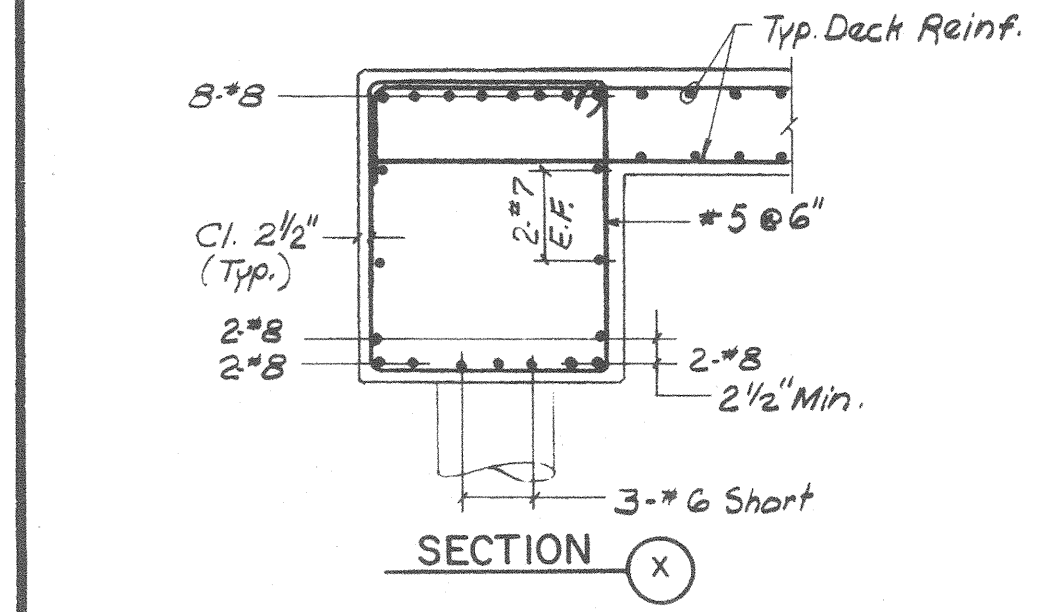
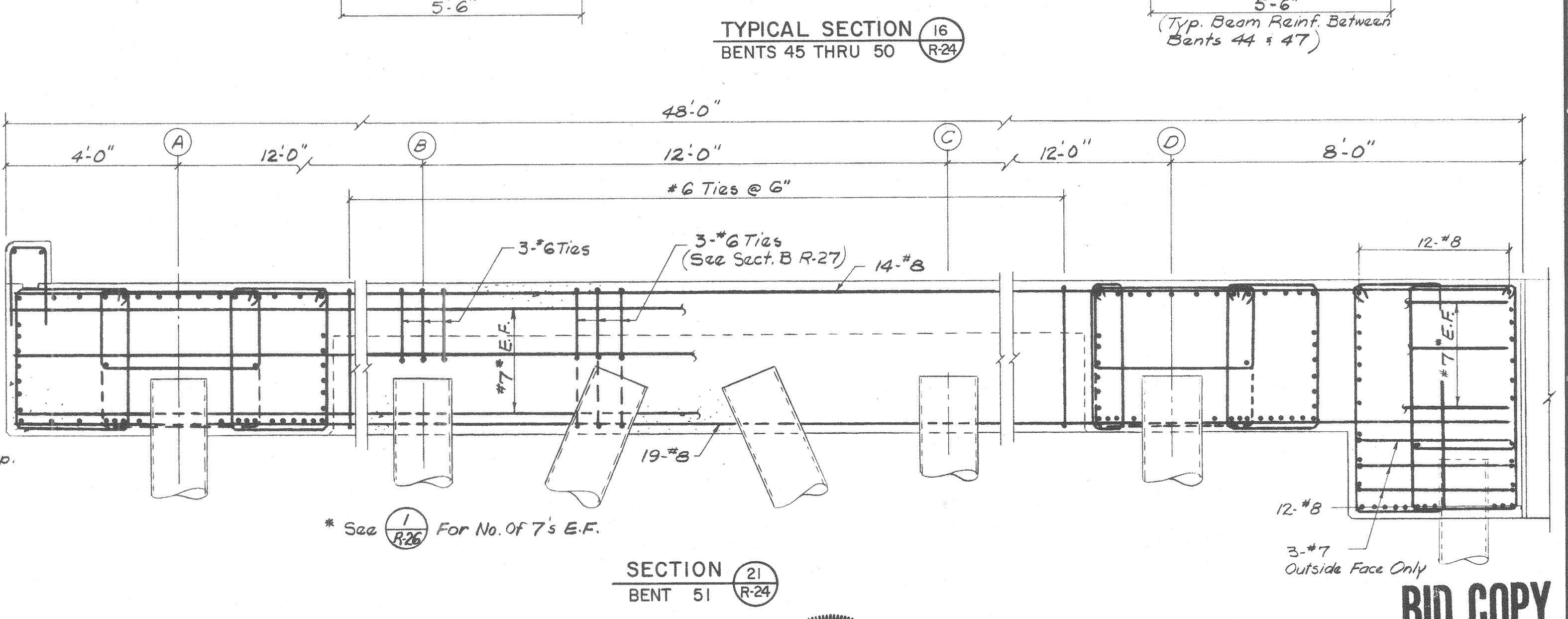
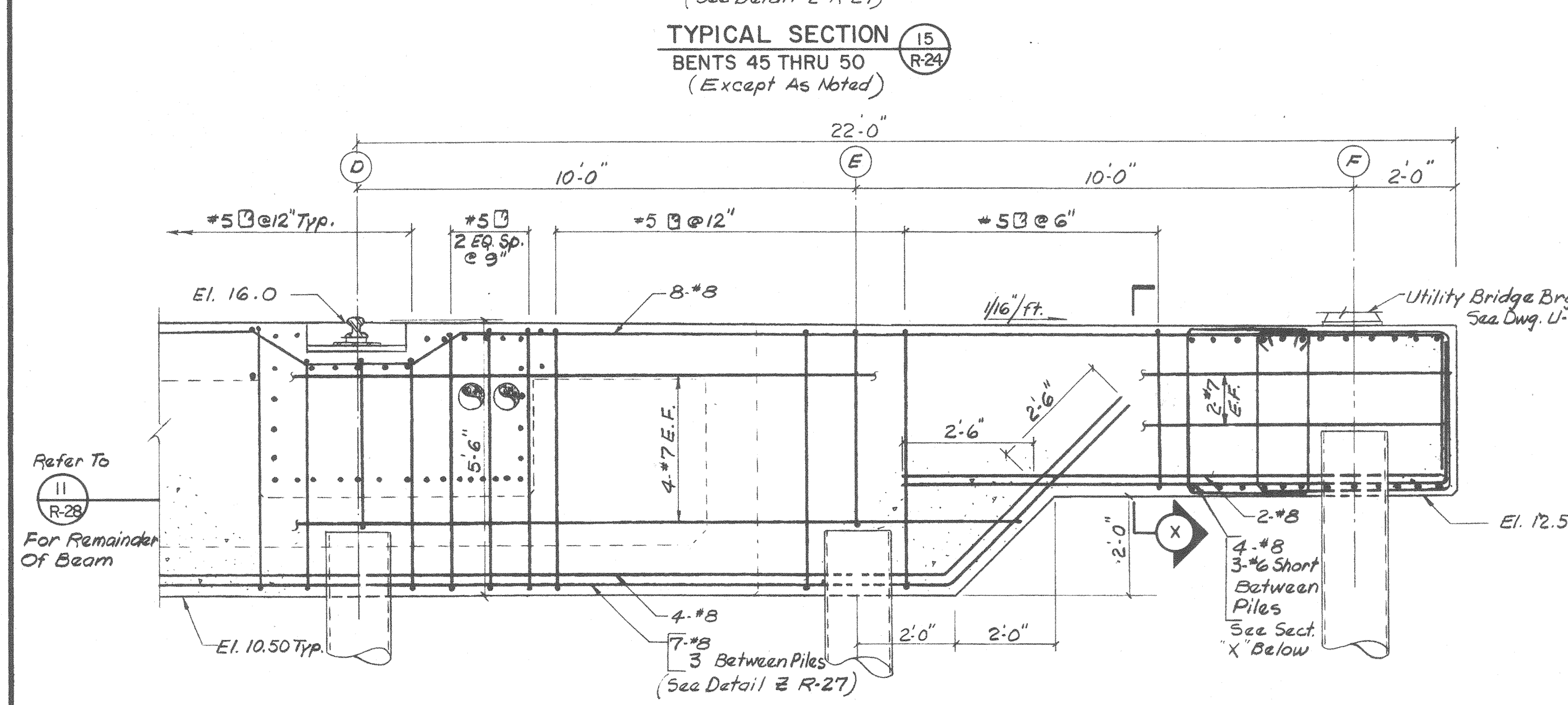
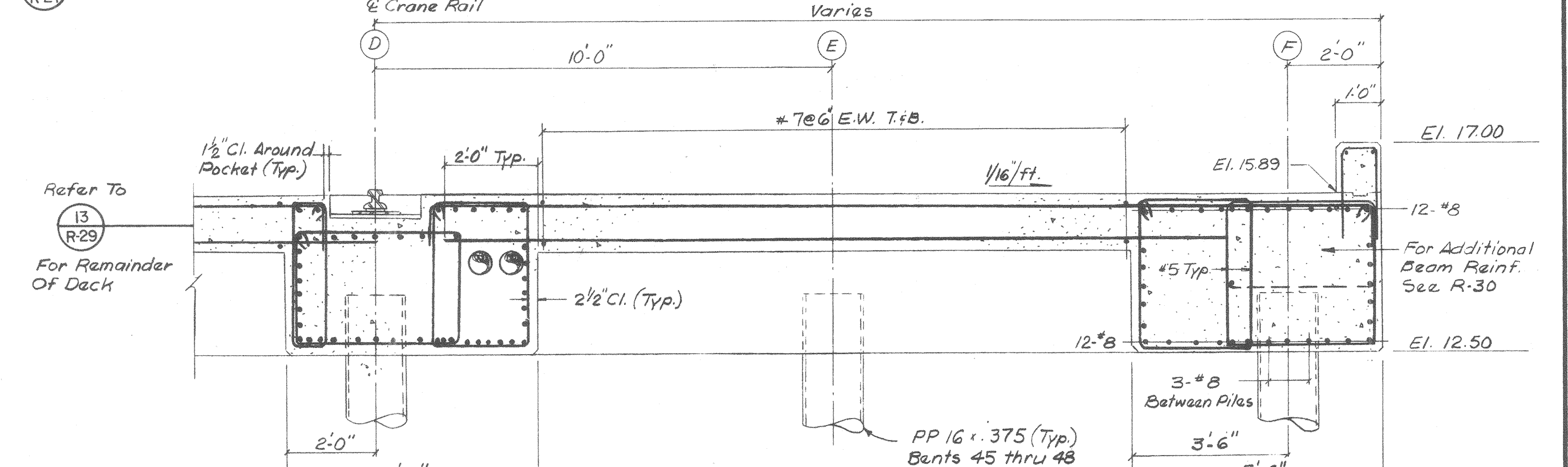
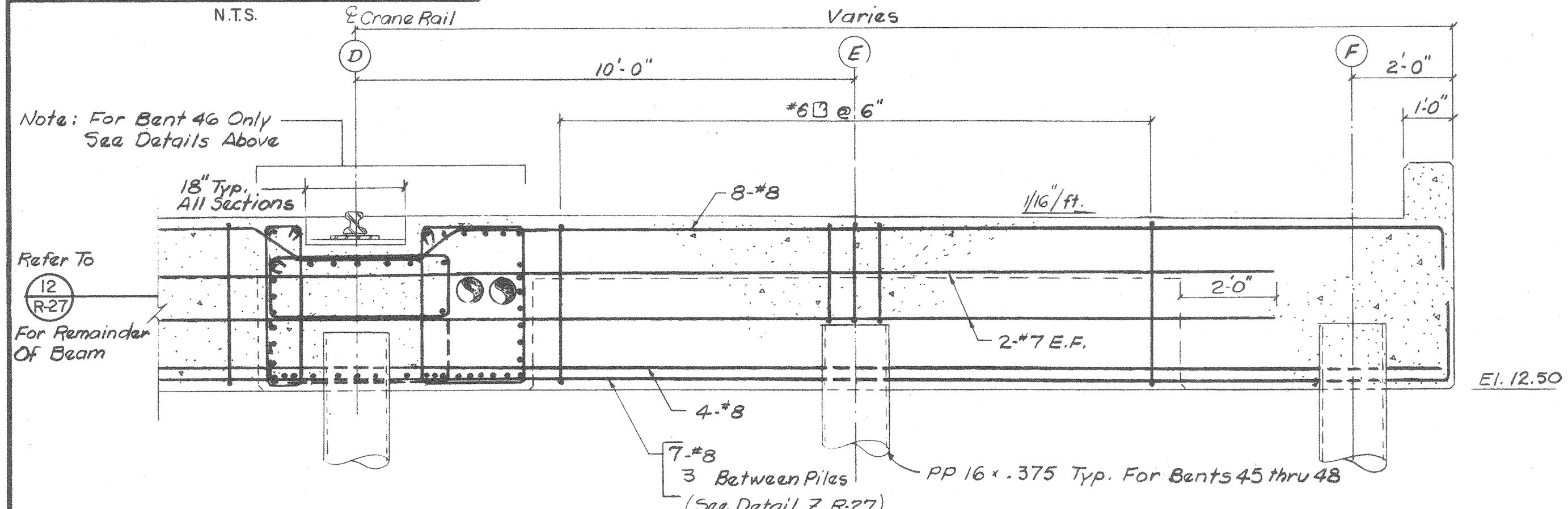
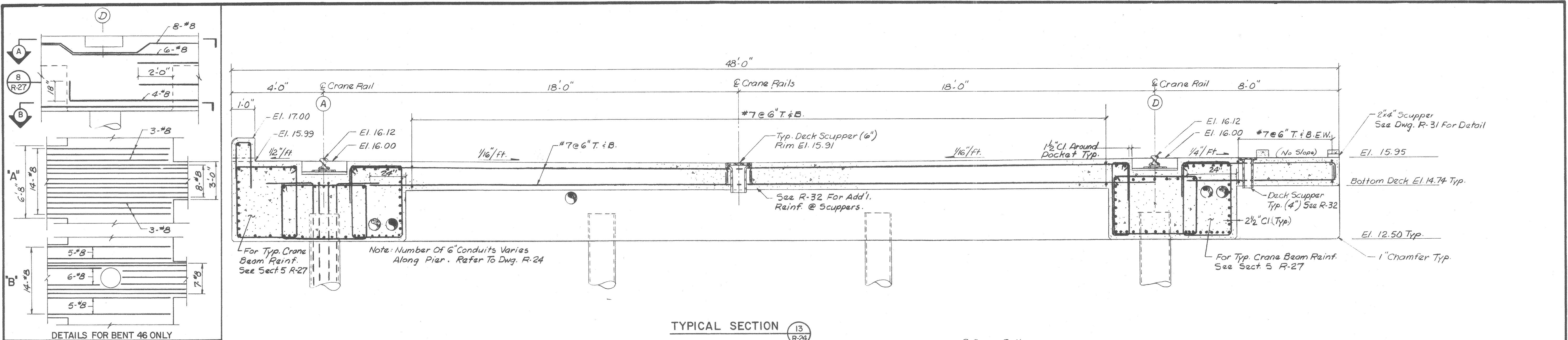
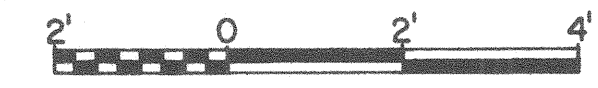


Filename: \\Portland\Projects\203438 Ocean Gateway - Phase 1 Engineering\Project Deliverables\2004-10-27, issued for BID\CAD Drawings\Appendix\20343802-R29.dwg, Oct 07, 2004 - 5:45pm



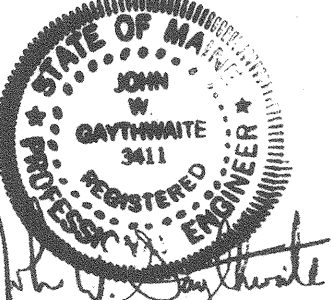
SECTION 14 R-24
BENT 44

SHEET REDUCED FOR OCEAN GATEWAY BID SET. CHECK SCALE BEFORE USING.



CE MAQUIRE, INC.
Architects • Engineers • Planners
60 First Avenue, Waltham, Massachusetts 02254

PORTLAND SHIP REPAIR FACILITY
BATH IRON WORKS CORPORATION
Bath, Maine



DESIGNED BY: R.S.
DRAWN BY: C.St.P.
CHECKED BY: R.S./J.G.
PROJECT NO: 3995

ISSUED	
APR 30 1982	
B. I. W. PLANT ENGINEERS	
REVISION NO.	DESCRIPTION
TITLE:	REPAIR PIER CONCRETE REINFORCING IV
DRAWING NO.	R-29
DATE:	APRIL, 1982
SCALE:	1/2" = 1'-0"
PROJECT NO:	3995
DATE:	APRIL, 1982
SCALE:	1/2" = 1'-0"
DRAWING NO.	10529
BIW DRAWING NO.	