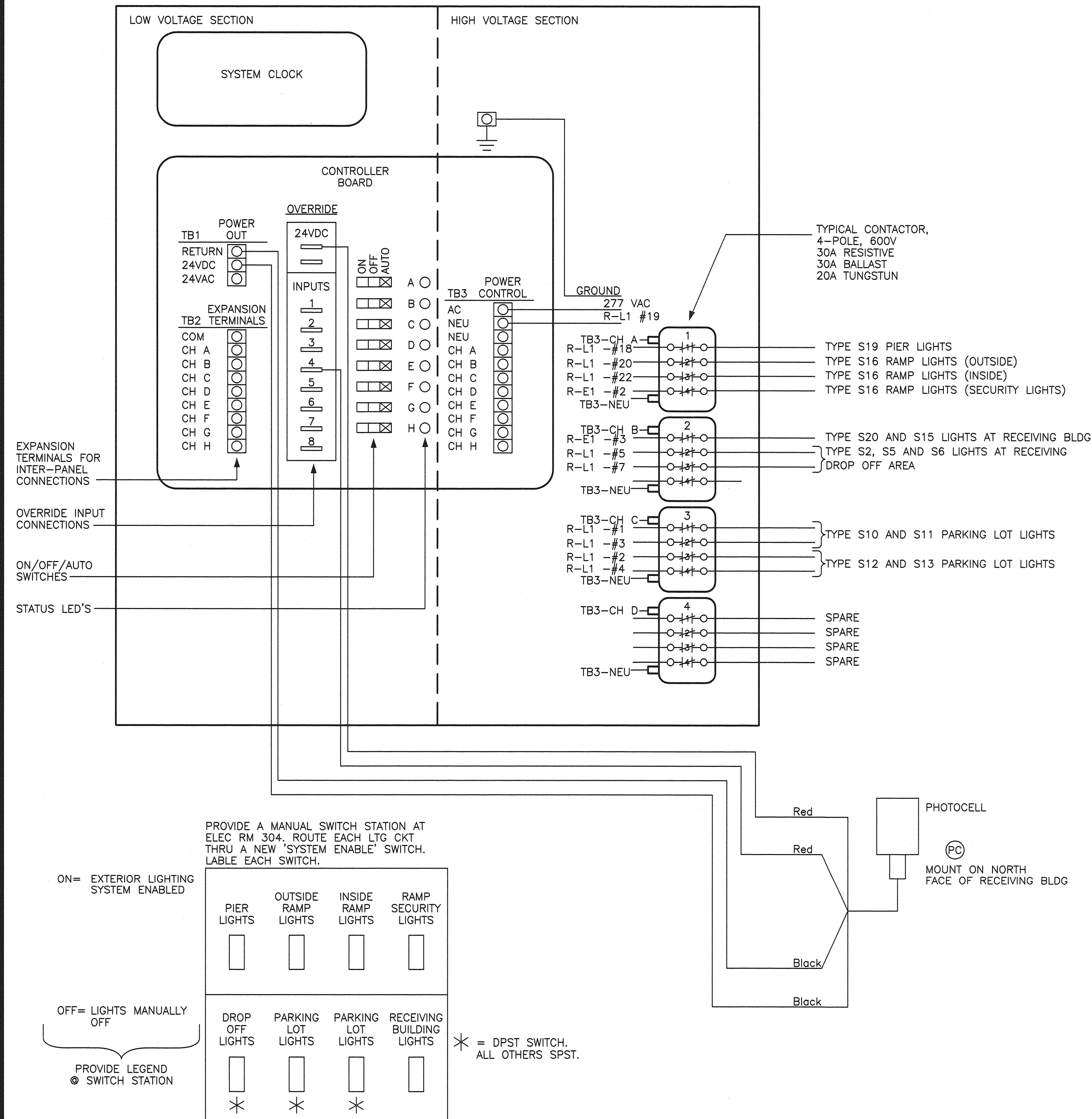
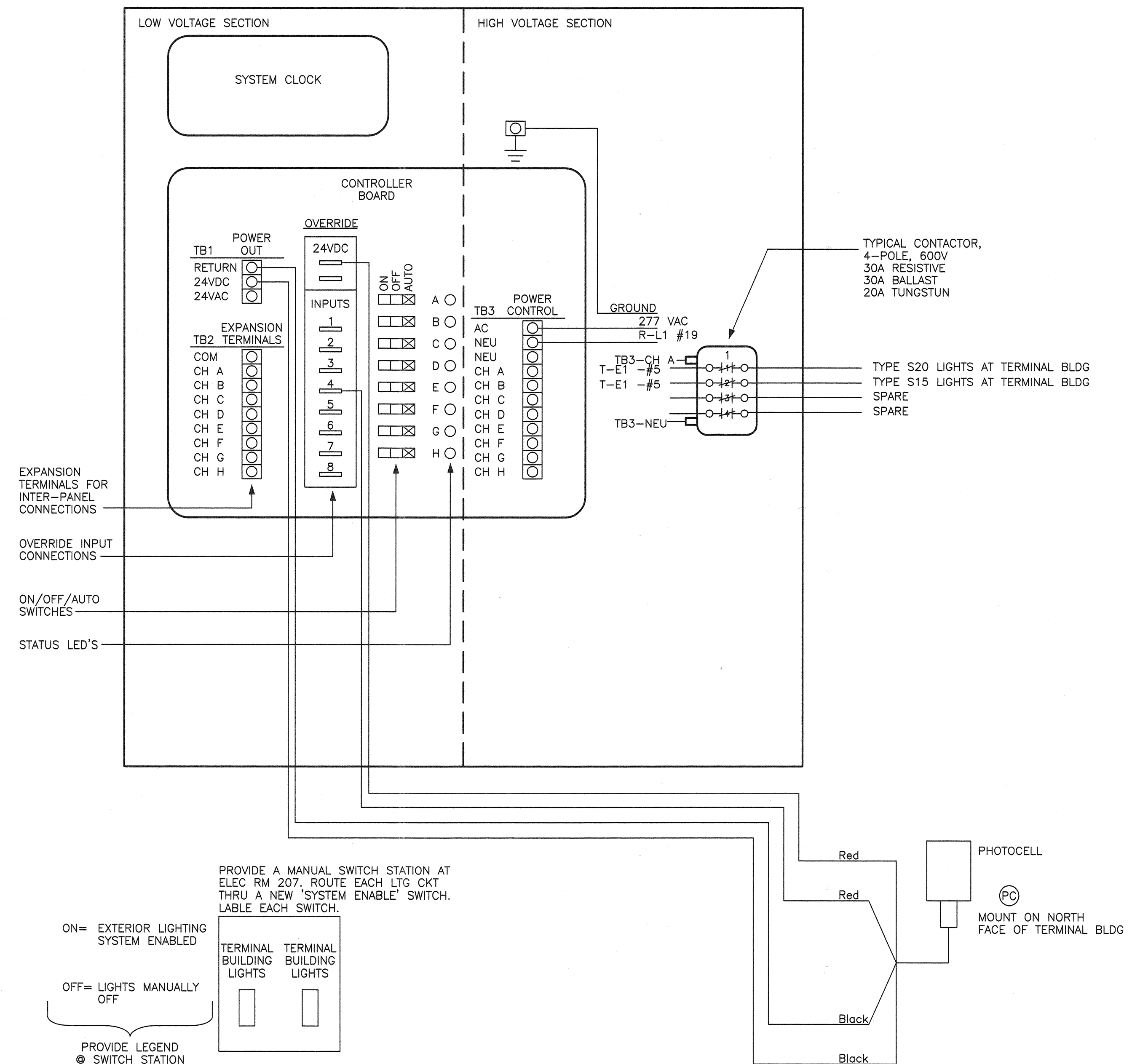


AUTOMATIC LIGHTING CONTROL PANEL LC1 - RECEIVING BLDG

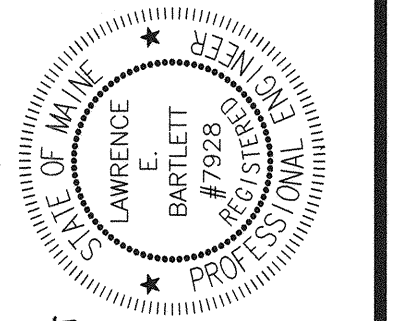


AUTOMATIC LIGHTING CONTROL PANEL LC2 - TERMINAL BLDG



Bartlett Design  
LIGHTING & ELECTRICAL ENGINEERING  
1000 W. BROAD ST. PORTLAND, ME 04101  
TEL (207) 443-6447 FAX (207) 443-5680

STATE OF MAINE  
DEPARTMENT OF TRANSPORTATION  
PROJECT NUMBER 009215.00  
PIN 009215.00



Lawrence E. Bartlett  
SIGNATURE  
7928  
P.E. NUMBER  
10/27/04  
DATE

DATE	BY	PROJ. MANAGER	PAUL POTTE	DESIGN-DETAILED	CHECKED-REVIEWED	DESIGN-DETAILED2	DESIGN-DETAILED3	REVISIONS 1	REVISIONS 2	REVISIONS 3	REVISIONS 4	FIELD CHANGES
10/27/04	LEB											

CITY OF PORTLAND  
OCEAN GATEWAY PHASE 1  
LIGHTING CONTROL DIAGRAMS

E303