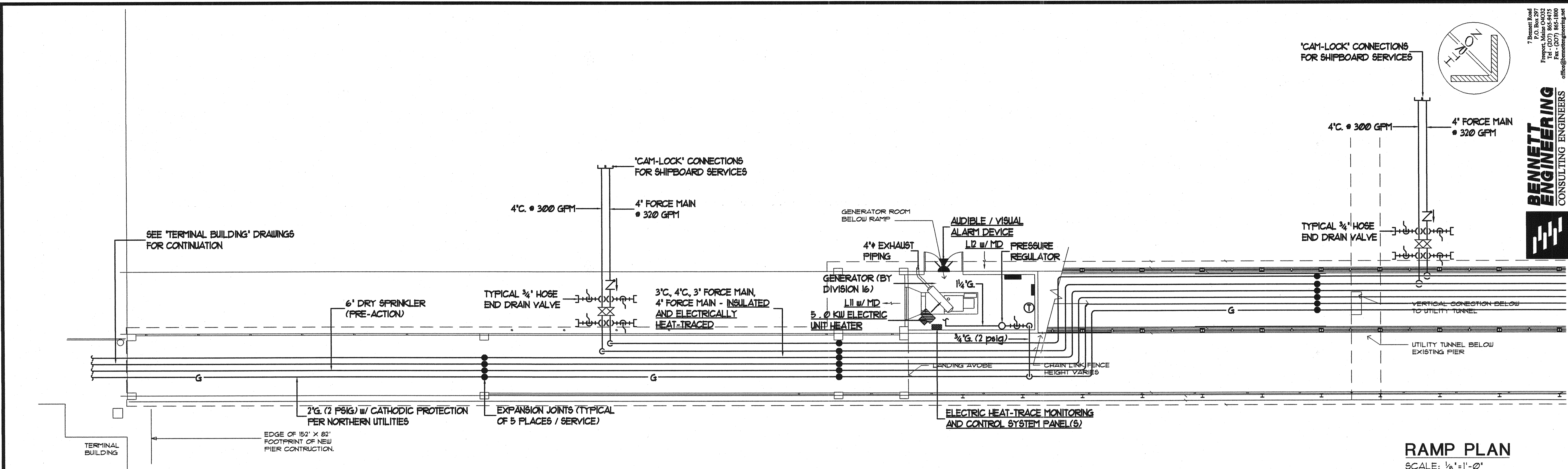
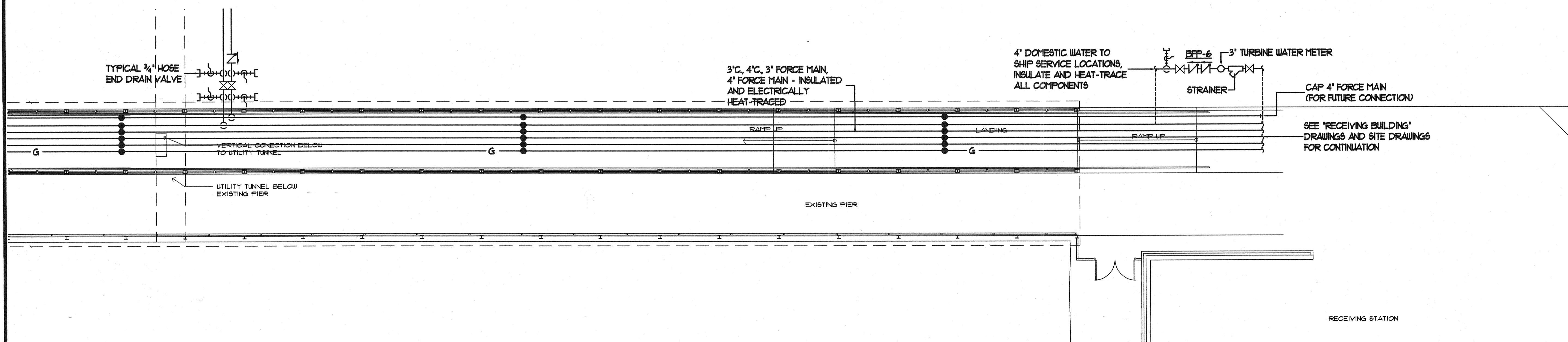


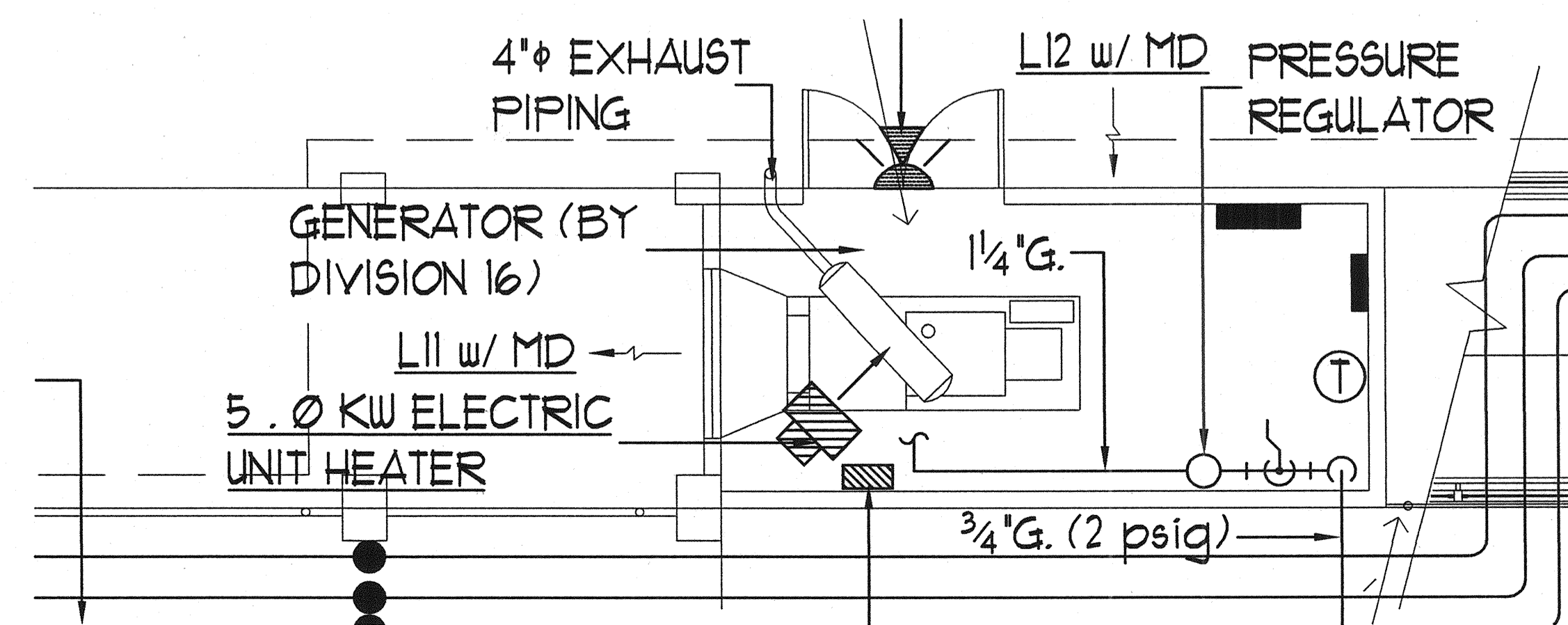
Filename:



RAMP PLAN
SCALE: 1/8"=1'-0"



RAMP PLAN
SCALE: 1/8"=1'-0"



GENERATOR BUILDING PLAN
SCALE: 1/4"=1'-0"

7 Bennett Road
 Portland, Maine 04102
 Tel: (207) 865-9475
 Fax: (207) 865-1800
 office@bennett-engineering.com

BENNETT ENGINEERING
 CONSULTING ENGINEERS

STATE OF MAINE
 DEPARTMENT OF TRANSPORTATION
 PROJECT NUMBER 009215.00
 PIN 009215.00

STEPHEN P. DOEL
 P.E. NO. 3807
 10/5/04
 DATE

PROJ. MGR.	MANAGER	PAUL	POTTLE	DATE
DESIGN-DETAILED	SMR	SMR	SMR	10/05/04
CHECKED-REVIEWED	SMR	SMR	SMR	10/05/04
DESIGN-DETAILED	SMR	SMR	SMR	10/05/04
REVISIONS 1				
REVISIONS 2				
REVISIONS 3				
REVISIONS 4				
FIELD CHANGES				

CITY OF PORTLAND
 OCEAN GATEWAY PHASE 1
 PASSENGER WALKWAY
 PLUMBING AND HVAC PLANS

PH100-W
 260 OF 288