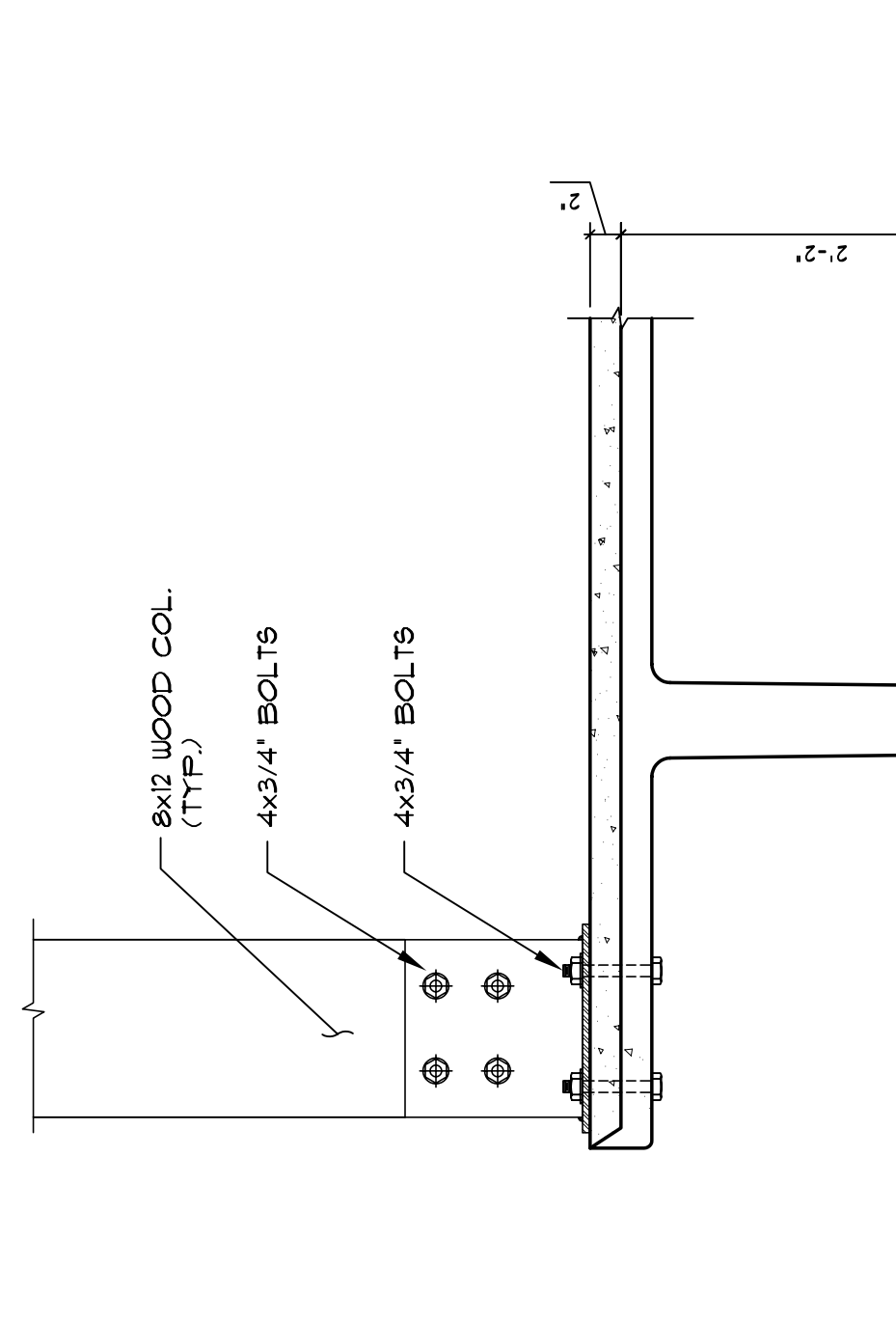


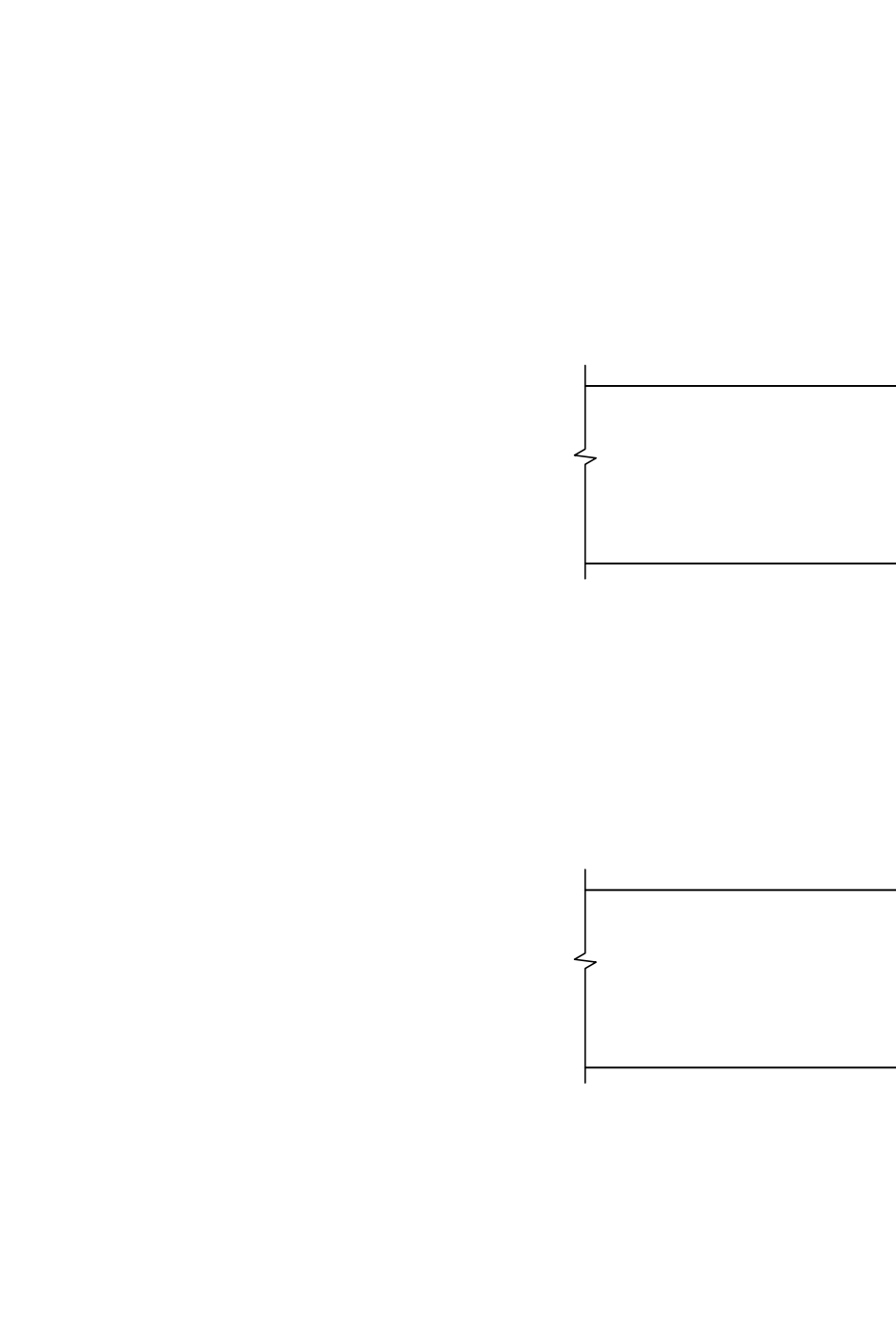
IN ASSOCIATION WITH:  
GORILLI-PALMER CONSULTING ENGINEERS  
PERATROVICH, NOTTINGHAM, & DRAKE  
WINTON SCOTT ARCHITECTS  
HALEY & ALDRICH



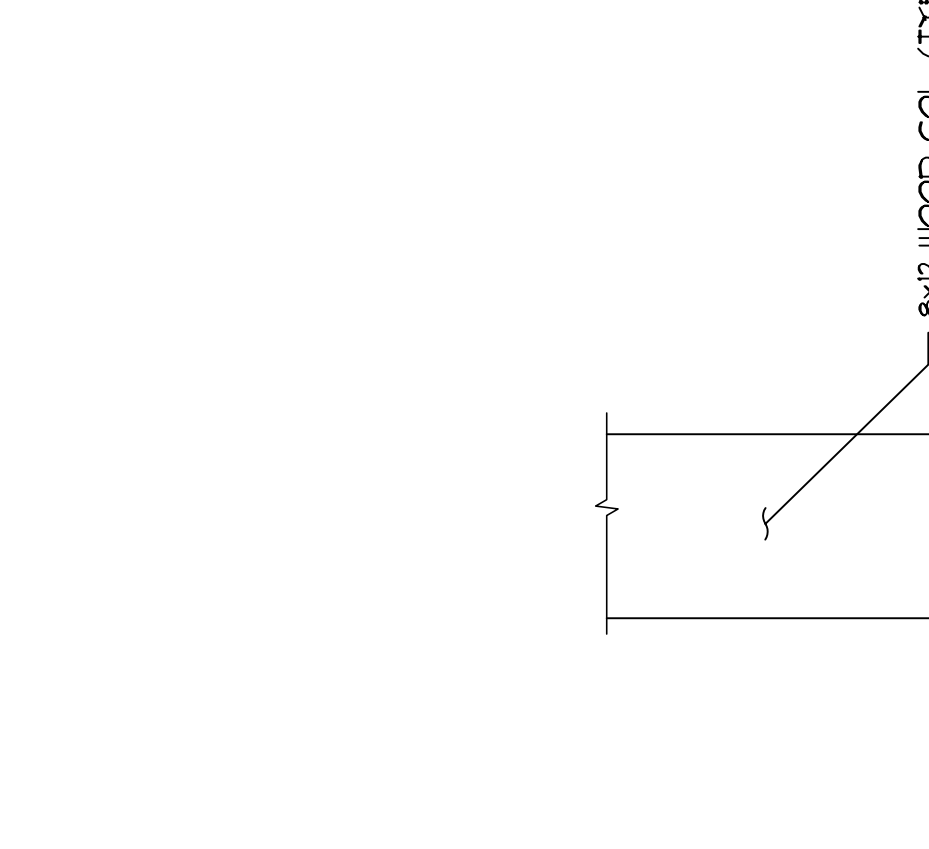
SECTION 1  
SCALE 1" = 1'-0"



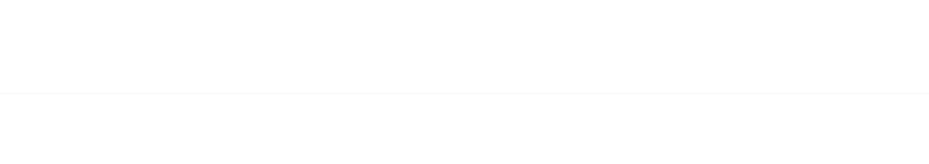
SECTION 2  
SCALE 1" = 1'-0"



SECTION 3  
SCALE 1" = 1'-0"



SECTION 4  
SCALE 1" = 1'-0"



SECTION 5  
SCALE 1/2" = 1'-0"



SECTION A  
SCALE 1" = 1'-0"



SECTION B  
SCALE 1" = 1'-0"



SECTION C  
SCALE 1" = 1'-0"



SECTION D  
SCALE 1" = 1'-0"



SECTION E  
SCALE 1" = 1'-0"



SECTION F  
SCALE 1" = 1'-0"



SECTION G  
SCALE 1" = 1'-0"



SECTION H  
SCALE 1" = 1'-0"



SECTION I  
SCALE 1" = 1'-0"



SECTION J  
SCALE 1" = 1'-0"



SECTION K  
SCALE 1" = 1'-0"



SECTION L  
SCALE 1" = 1'-0"



SECTION M  
SCALE 1" = 1'-0"



SECTION N  
SCALE 1" = 1'-0"



SECTION O  
SCALE 1" = 1'-0"



SECTION P  
SCALE 1" = 1'-0"



SECTION Q  
SCALE 1" = 1'-0"



SECTION R  
SCALE 1" = 1'-0"



SECTION S  
SCALE 1" = 1'-0"



SECTION T  
SCALE 1" = 1'-0"



SECTION U  
SCALE 1" = 1'-0"



SECTION V  
SCALE 1" = 1'-0"



SECTION W  
SCALE 1" = 1'-0"



SECTION X  
SCALE 1" = 1'-0"



SECTION Y  
SCALE 1" = 1'-0"



SECTION Z  
SCALE 1" = 1'-0"



SECTION AA  
SCALE 1" = 1'-0"



SECTION AB  
SCALE 1" = 1'-0"



SECTION AC  
SCALE 1" = 1'-0"



SECTION AD  
SCALE 1" = 1'-0"



SECTION AE  
SCALE 1" = 1'-0"



SECTION AF  
SCALE 1" = 1'-0"



SECTION AG  
SCALE 1" = 1'-0"



SECTION AH  
SCALE 1" = 1'-0"



SECTION AI  
SCALE 1" = 1'-0"



SECTION AJ  
SCALE 1" = 1'-0"



SECTION AK  
SCALE 1" = 1'-0"



SECTION AL  
SCALE 1" = 1'-0"



SECTION AM  
SCALE 1" = 1'-0"



SECTION AN  
SCALE 1" = 1'-0"



SECTION AO  
SCALE 1" = 1'-0"



SECTION AP  
SCALE 1" = 1'-0"



SECTION AQ  
SCALE 1" = 1'-0"



SECTION AR  
SCALE 1" = 1'-0"



SECTION AS  
SCALE 1" = 1'-0"



SECTION AT  
SCALE 1" = 1'-0"



SECTION AU  
SCALE 1" = 1'-0"



SECTION AV  
SCALE 1" = 1'-0"



SECTION AW  
SCALE 1" = 1'-0"



SECTION AX  
SCALE 1" = 1'-0"



SECTION AY  
SCALE 1" = 1'-0"



SECTION AZ  
SCALE 1" = 1'-0"



SECTION BA  
SCALE 1" = 1'-0"



SECTION BB  
SCALE 1" = 1'-0"



SECTION BC  
SCALE 1" = 1'-0"



SECTION BD  
SCALE 1" = 1'-0"

