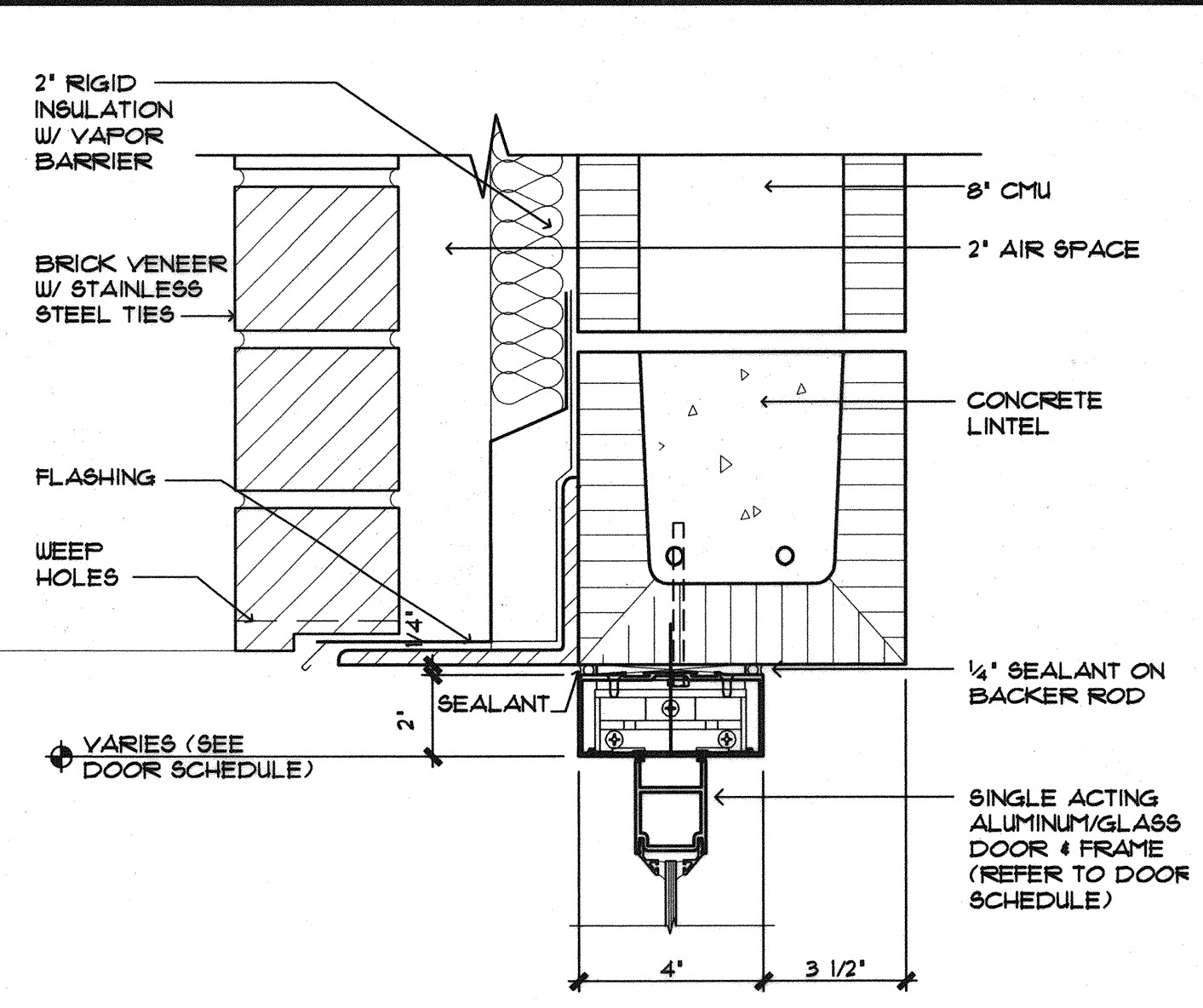
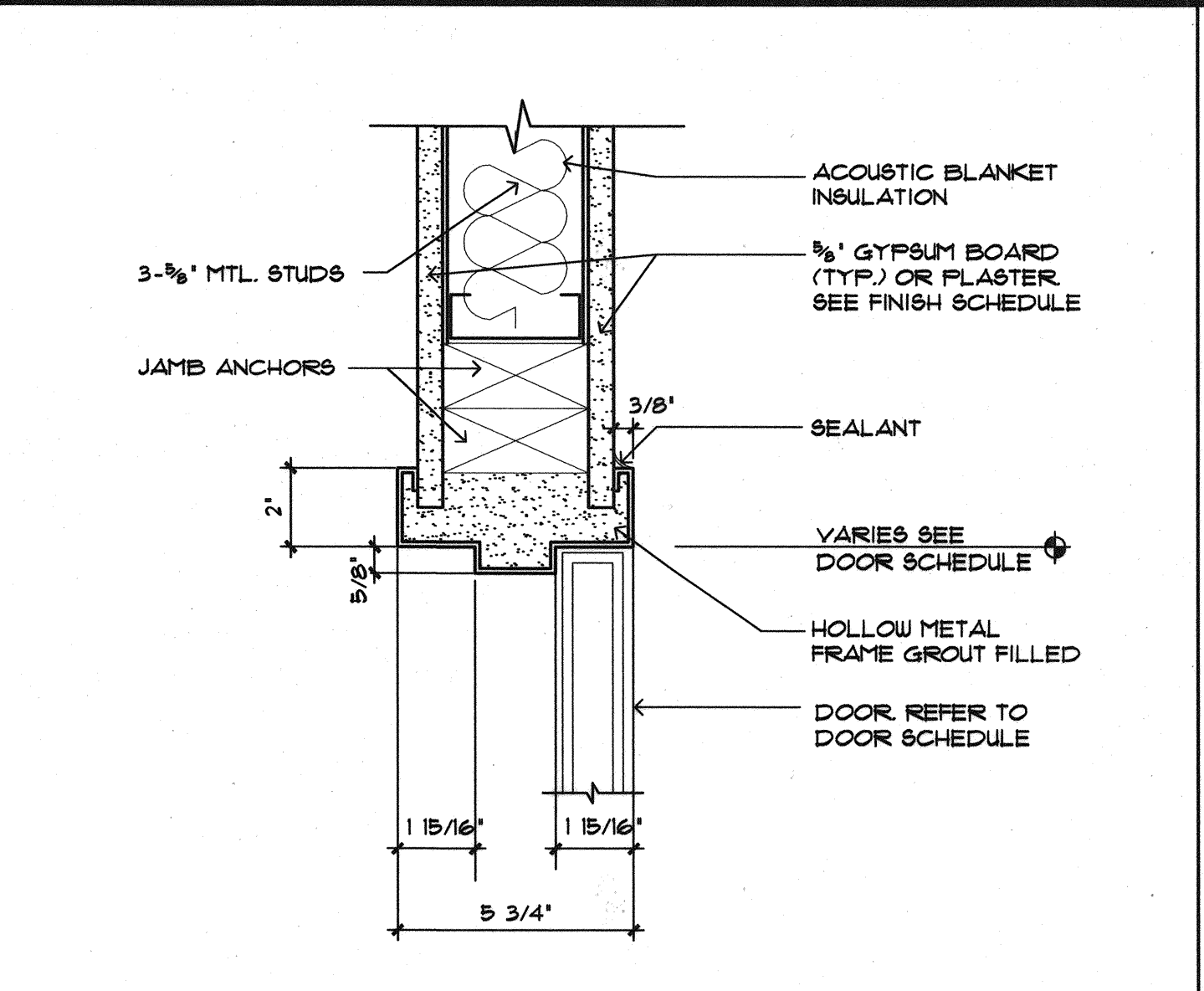


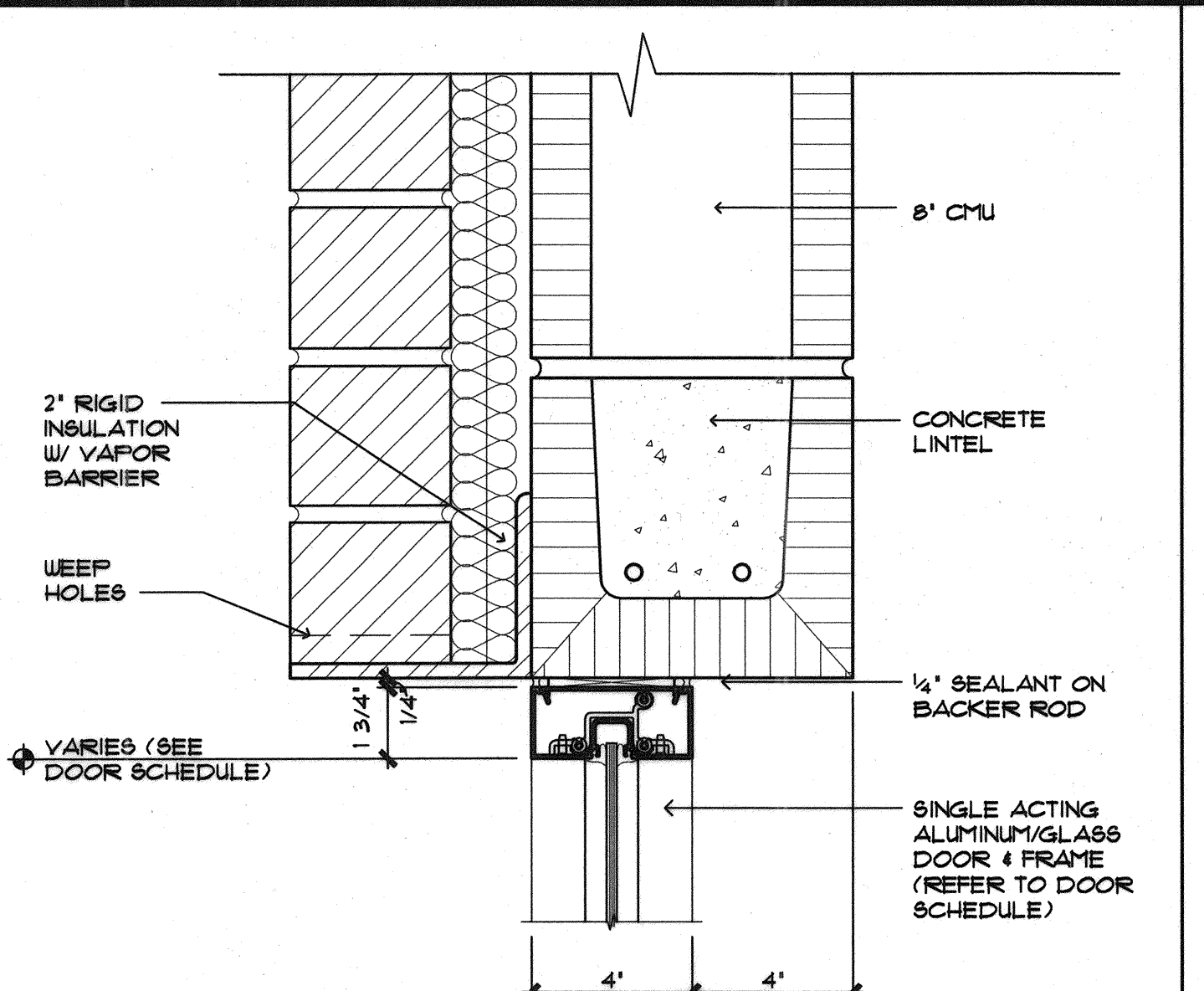
Filename: \\Server1\projects\02-0818 Maine Int Ferry Terminal\PHASE 1\Architecture\FINAL CONSTRUCTION DOCUMENTS\VEHICLE INSPECTION\20343802-V-A602.dwg, Oct 08, 2004 - 1:44pm



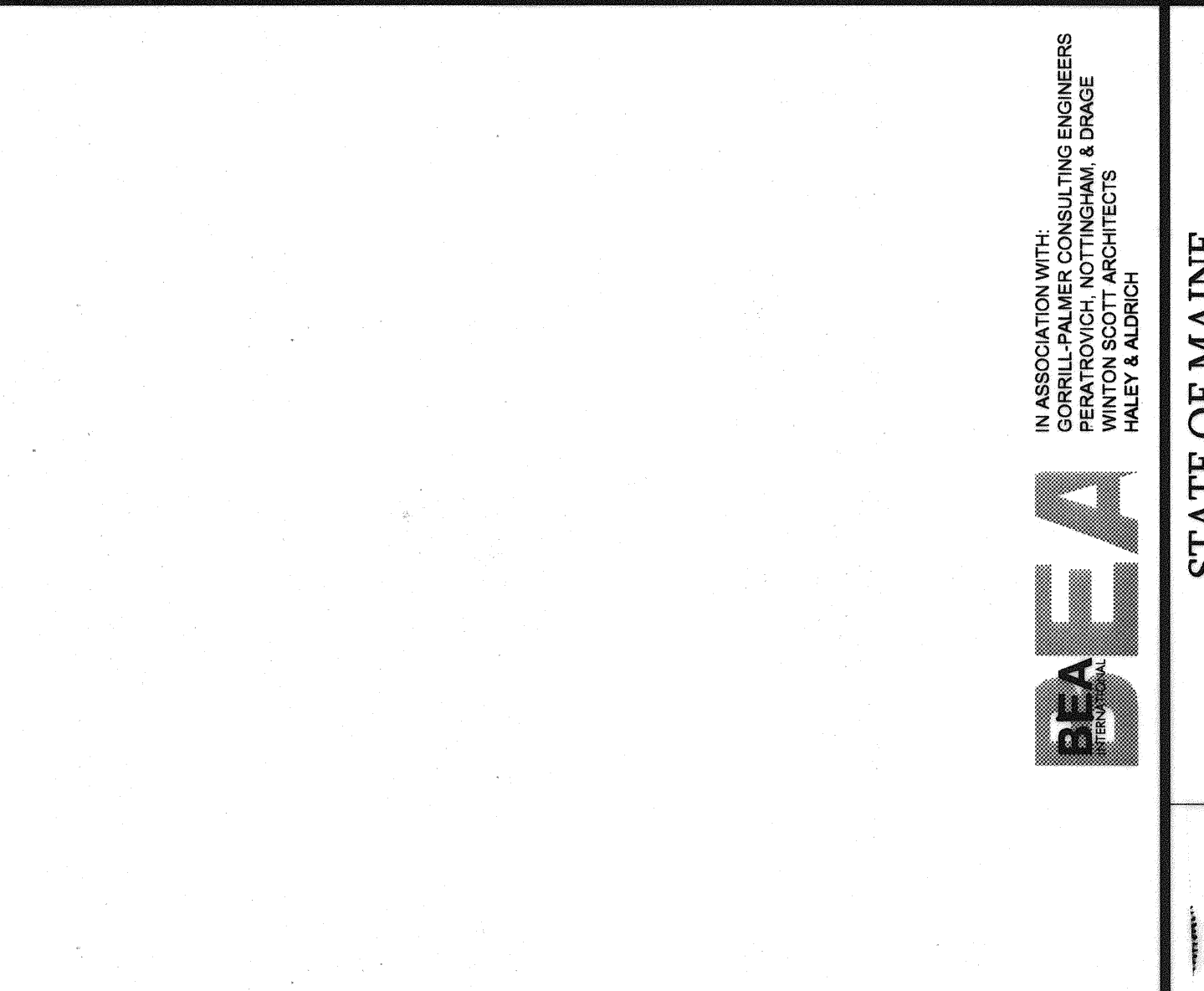
1
DOOR HEADER DETAIL
SCALE: 3" = 1'-0"



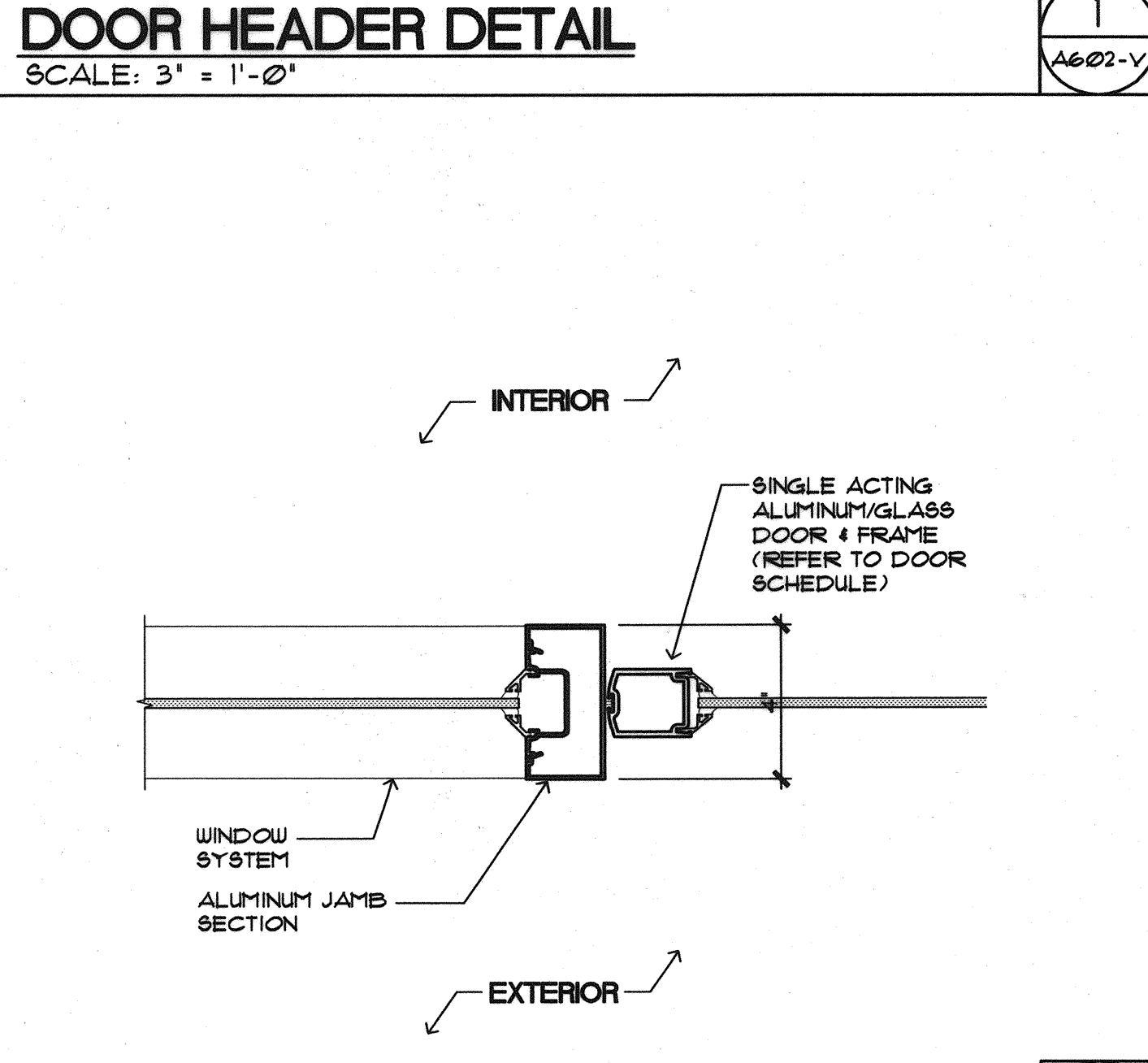
2
DOOR HEADER DETAIL
SCALE: 3" = 1'-0"



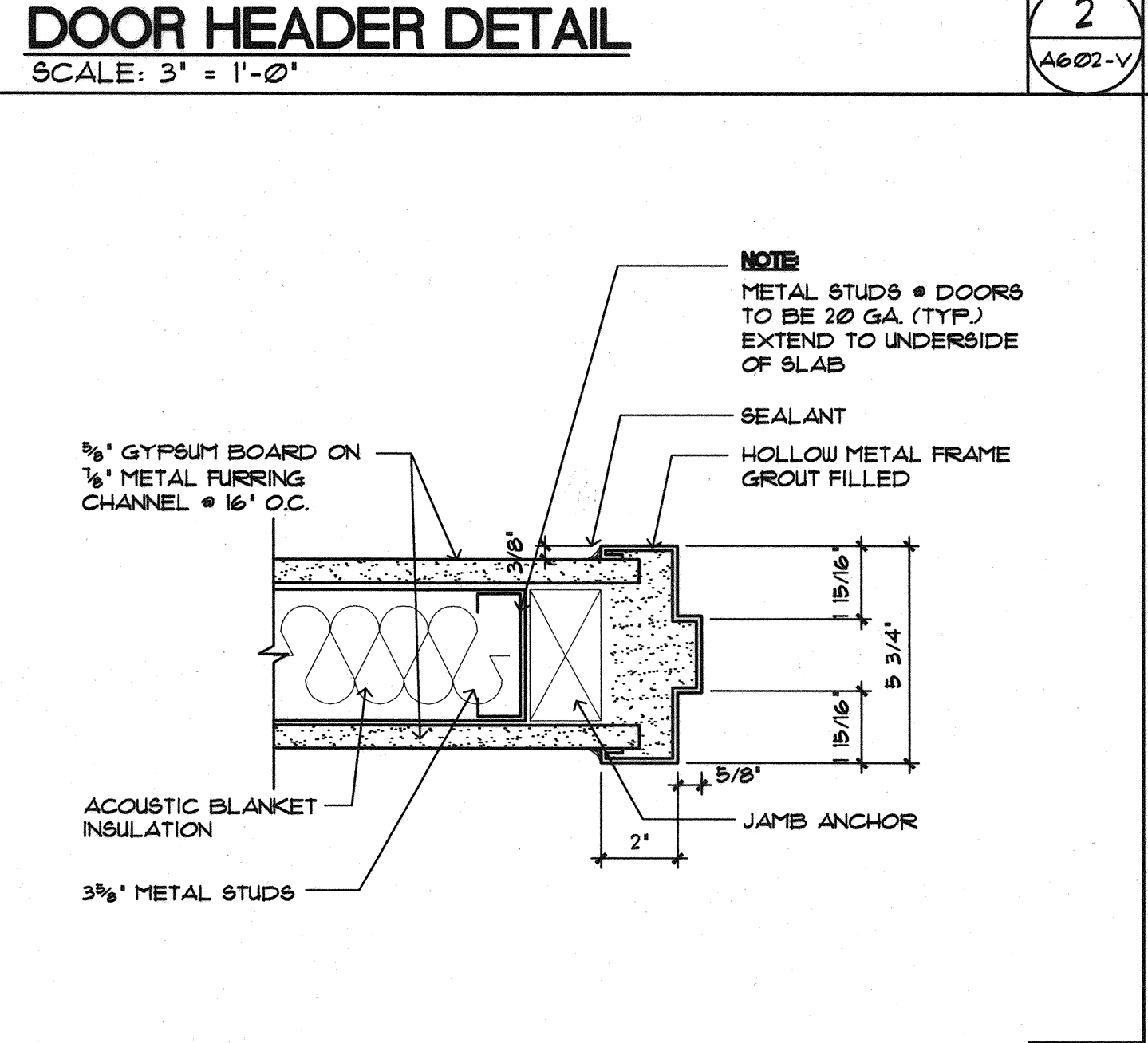
3
WINDOW HEAD DETAIL
SCALE: 3" = 1'-0"



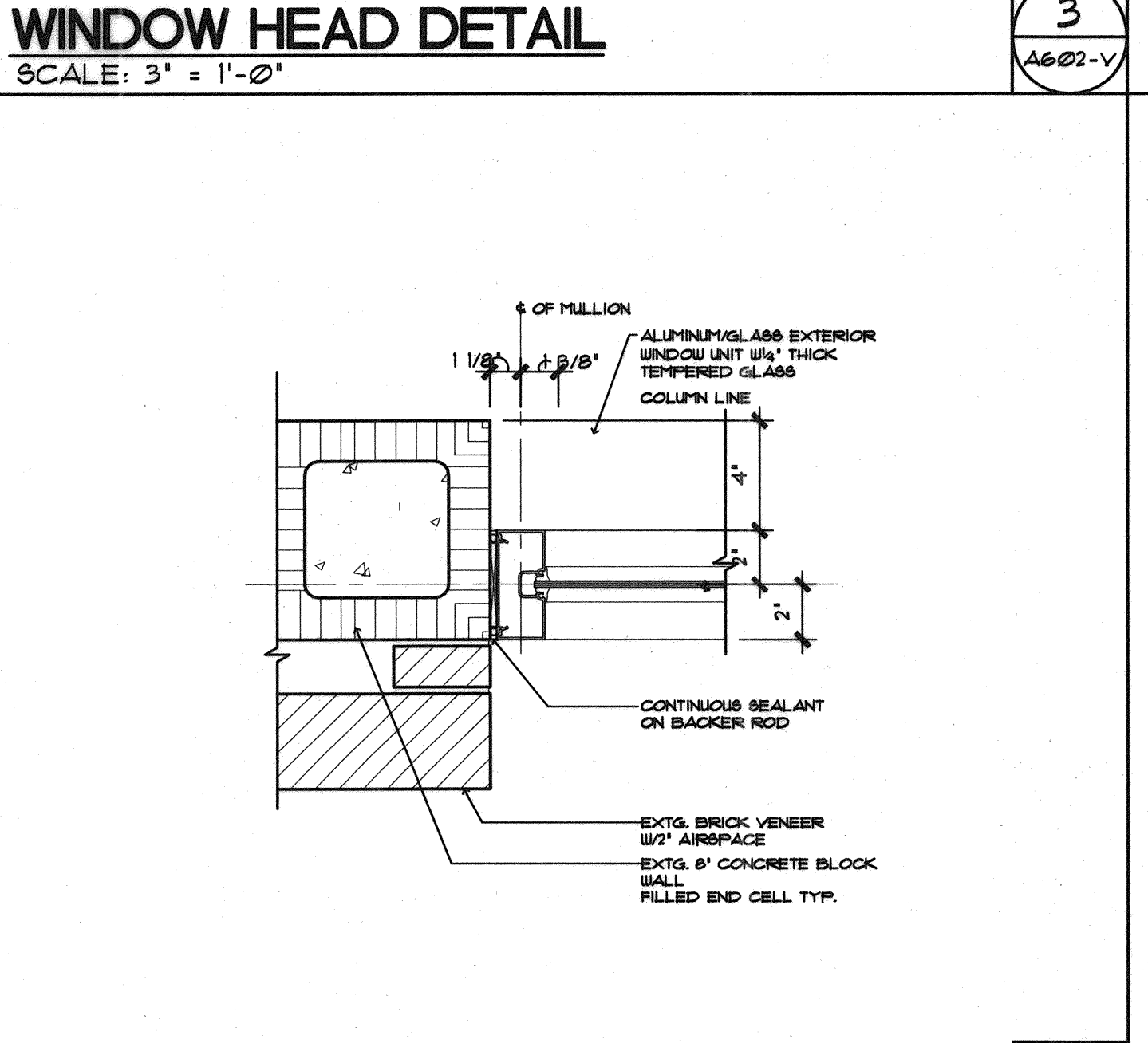
4
WINDOW HEAD DETAIL
SCALE: 3" = 1'-0"



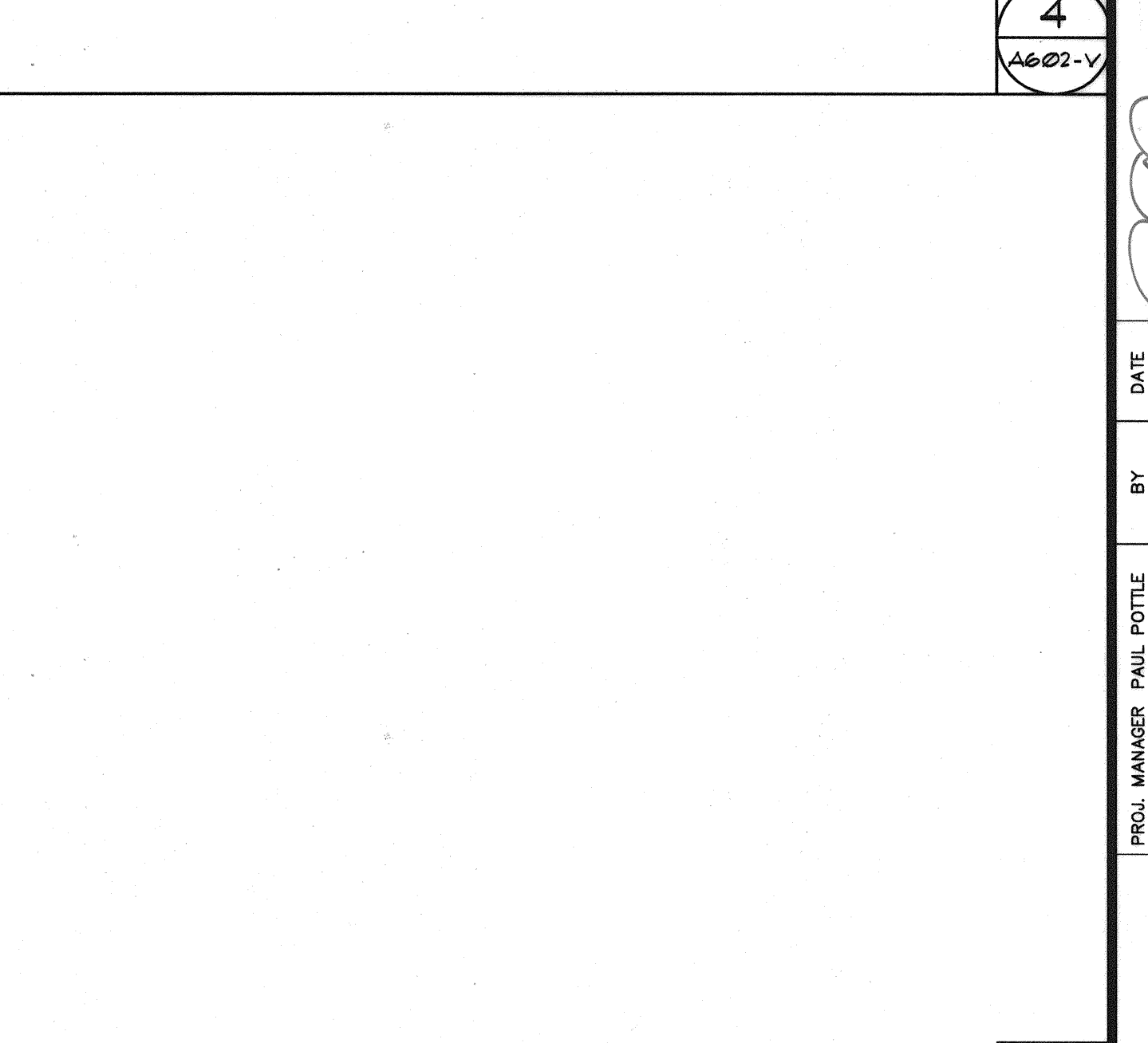
5
DOOR JAMB DETAIL
SCALE: 3" = 1'-0"



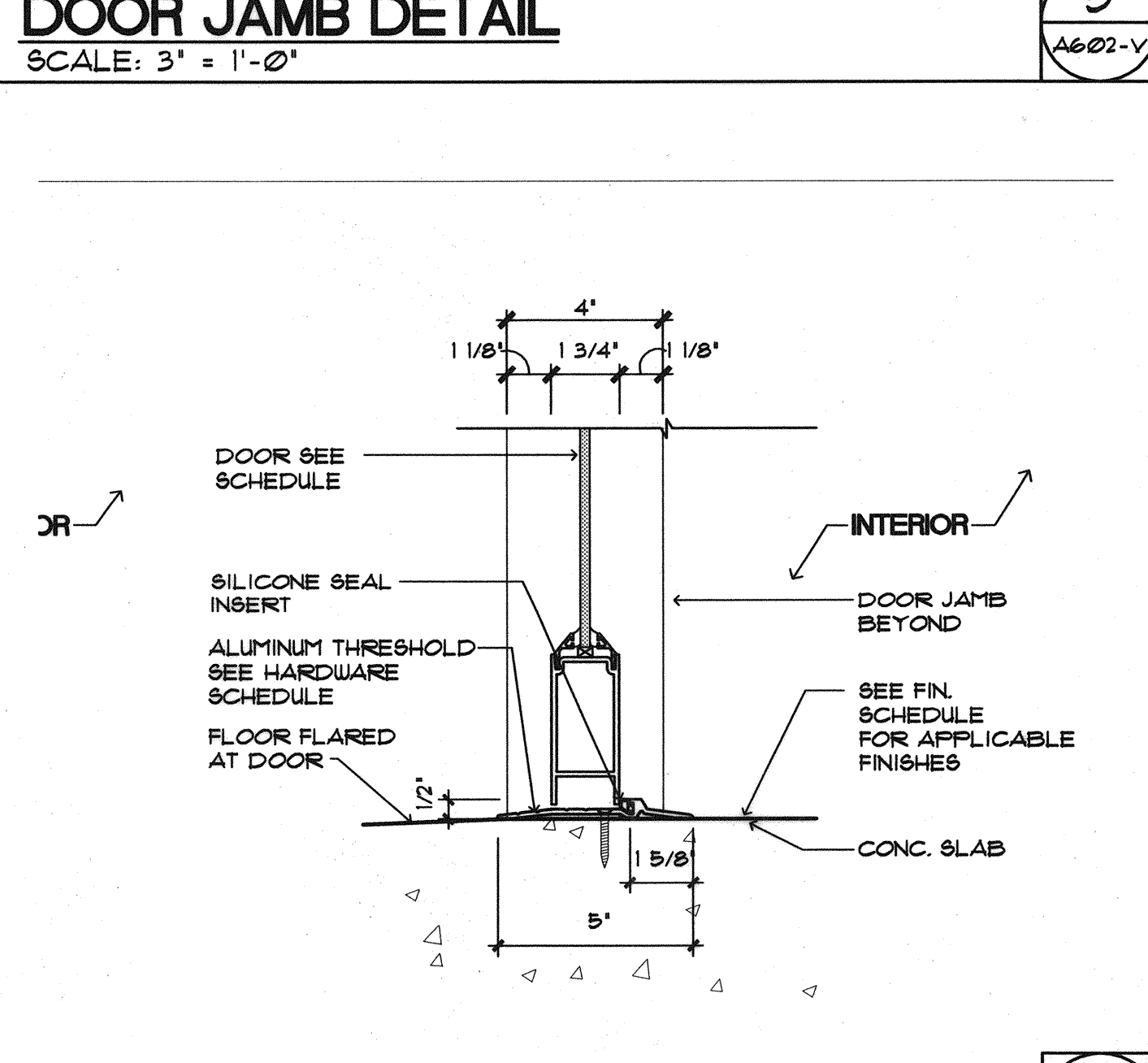
6
DOOR JAMB DETAIL
SCALE: 3" = 1'-0"



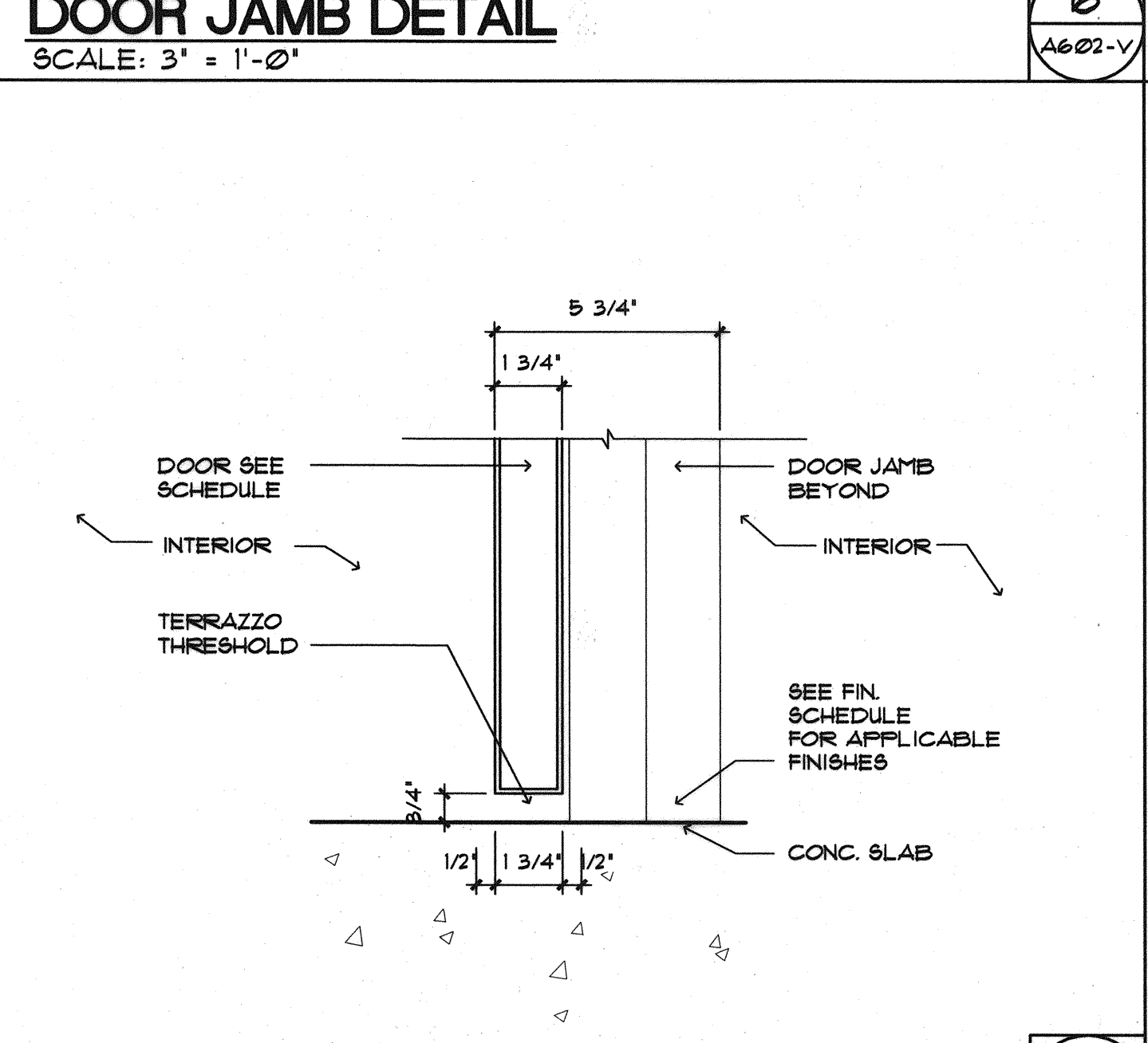
7
WINDOW JAMB DETAIL
SCALE: 3" = 1'-0"



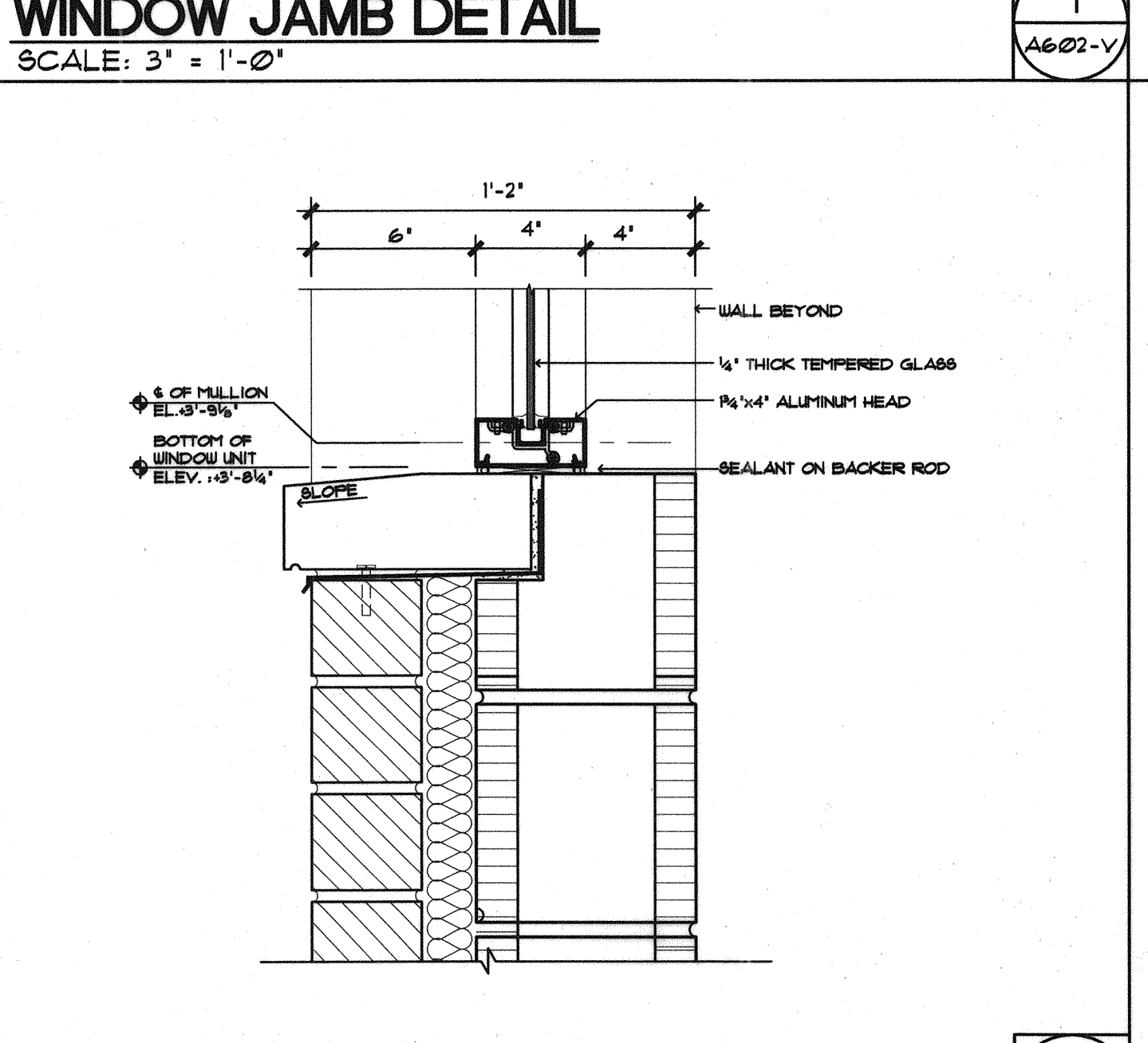
8
WINDOW JAMB DETAIL
SCALE: 3" = 1'-0"



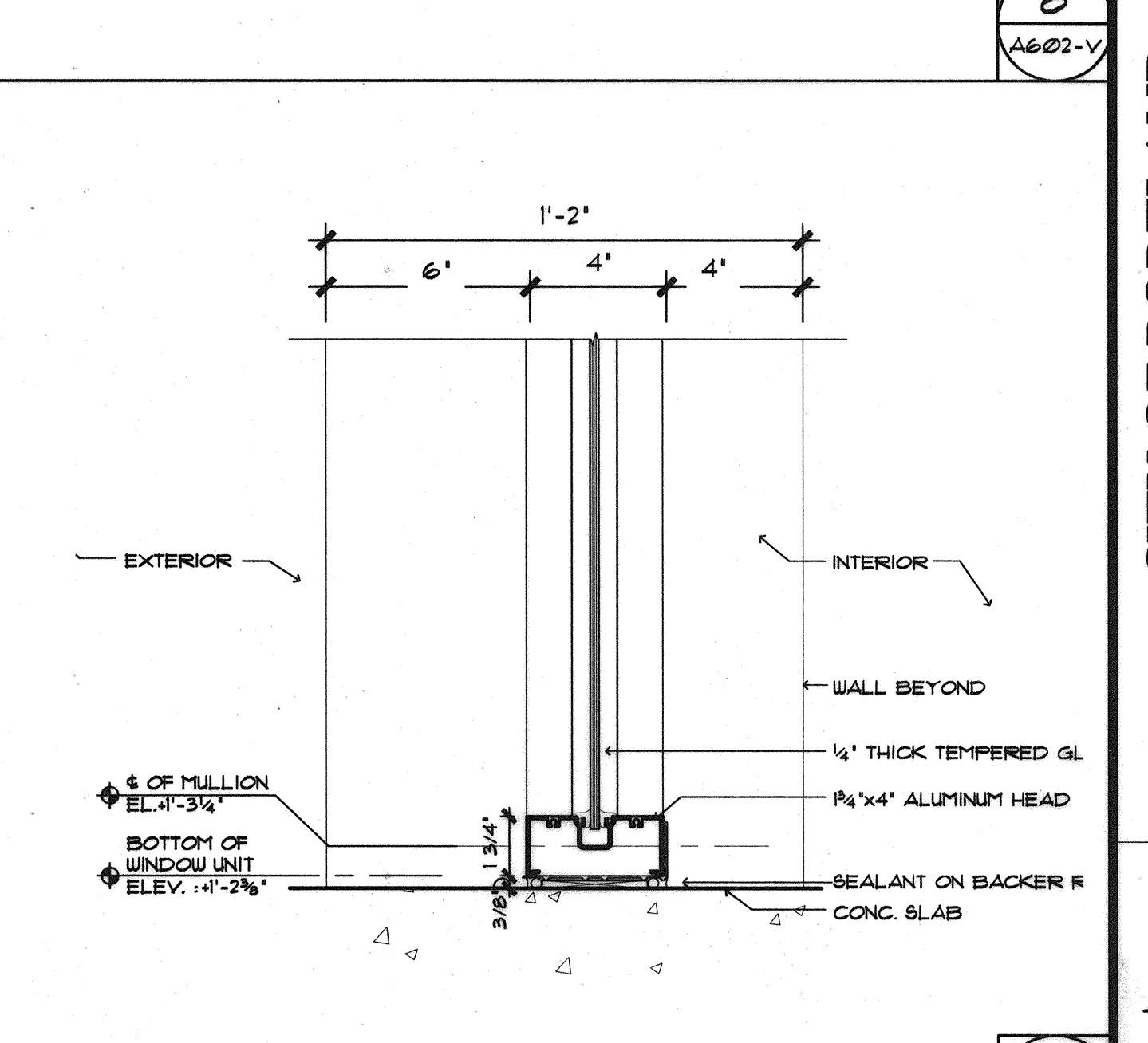
9
DOOR SILL DETAIL
SCALE: 3" = 1'-0"



10
DOOR SILL DETAIL
SCALE: 3" = 1'-0"



11
WINDOW SILL DETAIL
SCALE: 3" = 1'-0"

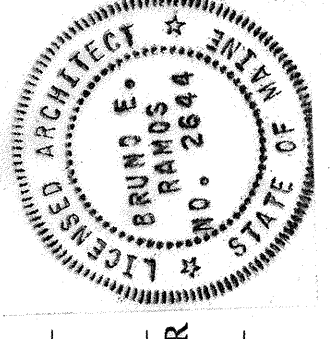


12
WINDOW SILL DETAIL
SCALE: 3" = 1'-0"

IN ASSOCIATION WITH:
GORRILL-PALMER CONSULTING ENGINEERS
WINN-DIXIE ARCHITECTS & PLANNERS
WINTERS-SMITH ARCHITECTS
HALEY & ALDRICH



STATE OF MAINE
DEPARTMENT OF TRANSPORTATION
PROJECT NUMBER 009215.00
PIN 009215.00



SIGNATURE	DATE
P. LICENCE NUMBER	DATE
ARC 2644	10/8/2004
FIELD CHANGES	

CITY OF PORTLAND
OCEAN GATEWAY PHASE 1
DOOR/WINDOW DETAILS

A602-V