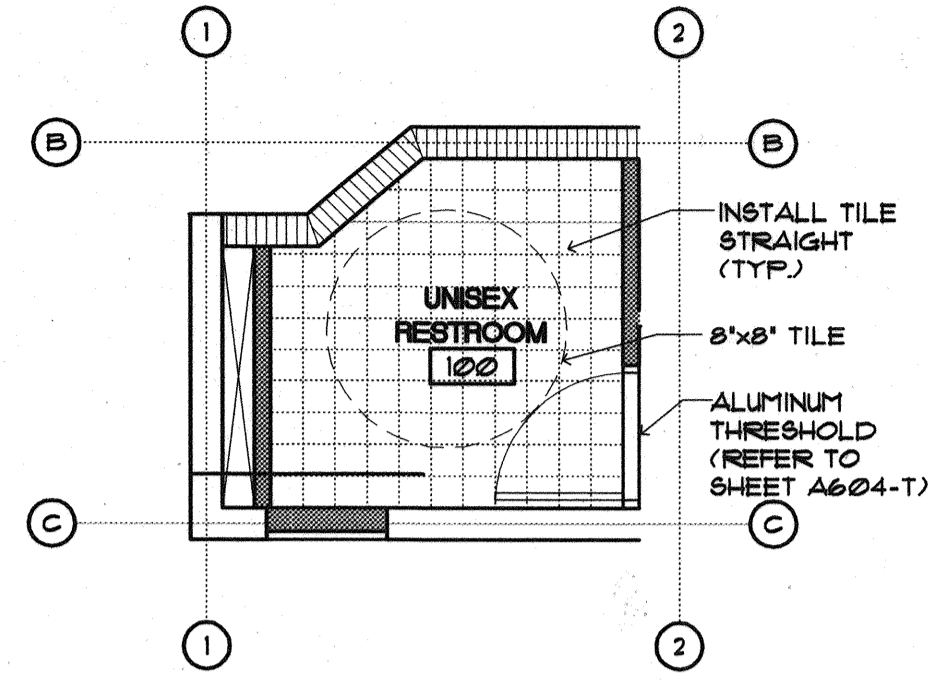
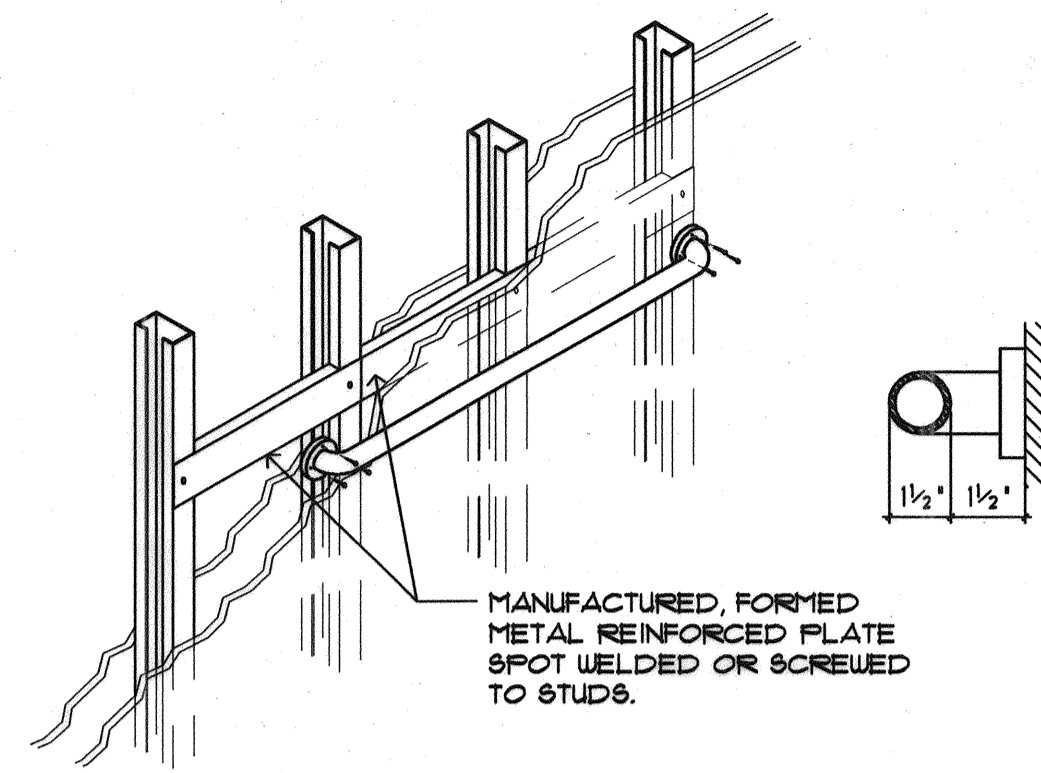


ENLARGED FIRST FLOOR RESTROOM FLOOR PLAN
SCALE: 1/4"=1'-0"



ENLARGED FIRST FLOOR RESTROOM TILE PLAN
SCALE: 1/4"=1'-0"

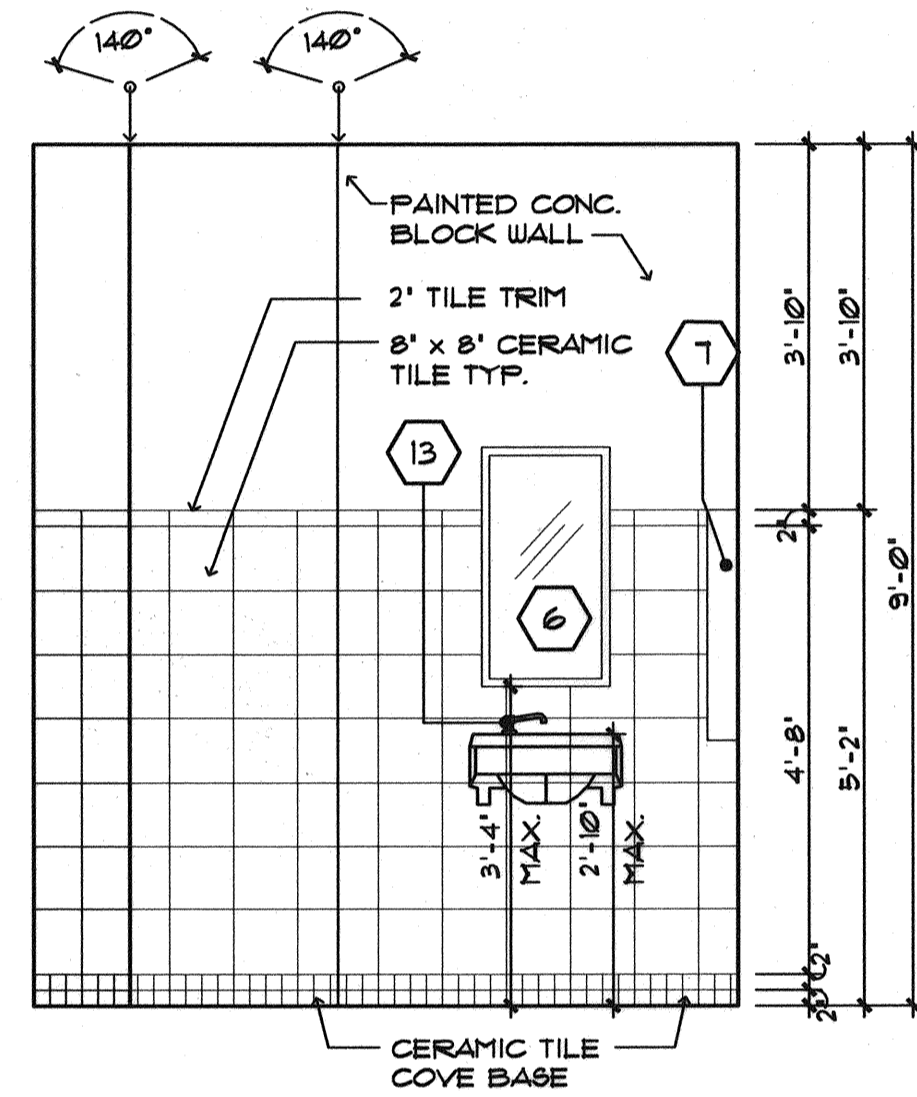


TYPICAL GRABBAR DETAIL

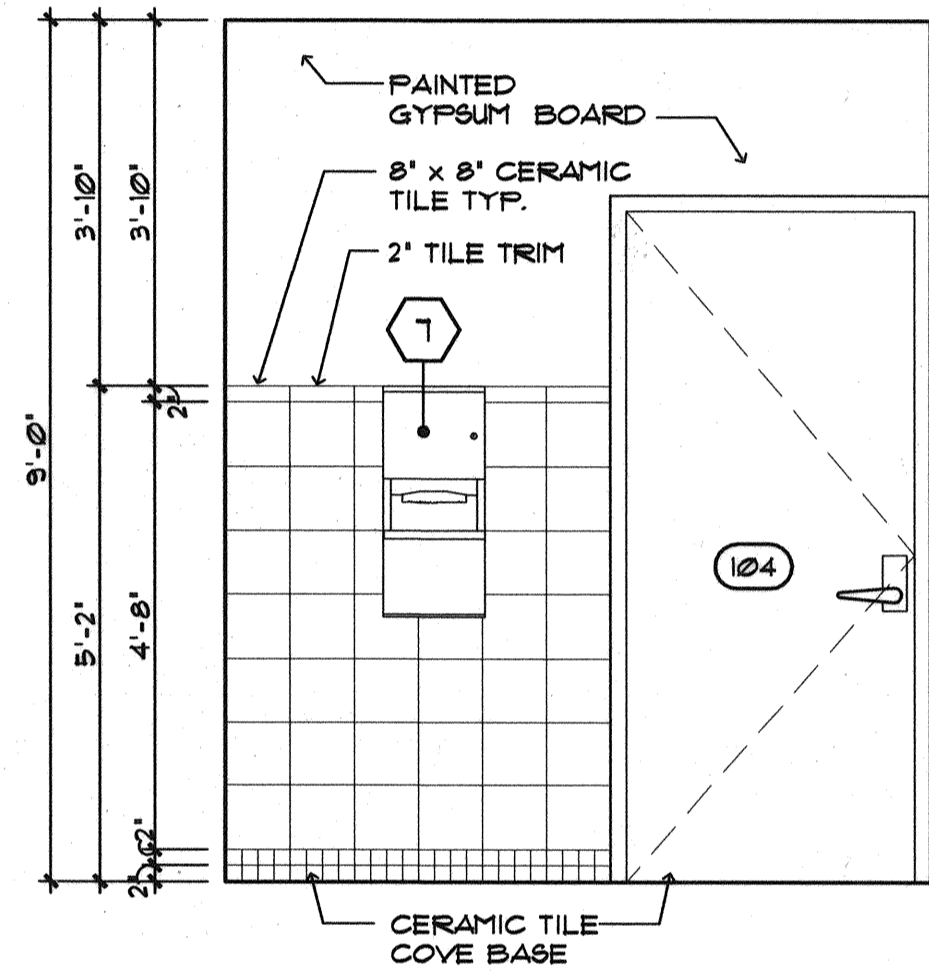
FIXTURE LEGEND			
A1	RECESSED 2 x 4 FLUORECENT TROFFER WITH GRID CEILING FRAME	R4	PENDANT MOUNTED FIXTURE WITH GLASS AND ALUMINUM REFLECTOR
A2	RECESSED 2 x 2 FLUORECENT TROFFER WITH GRID CEILING FRAME	R5	PENDANT MOUNTED FIXTURE WITH ALUMINUM REFLECTOR
A3	RECESSED 1 x 4 TROFFER WITH FLUSH FRAME	S5	HVAC DIFFUSER
A4	RECESSED 2 x 4 TROFFER WITH FLUSH FRAME	HVAC	HVAC RETURN AIR GRILLE
J1	SURFACE CEILING FLUORECENT FIXTURE	SPRINK	SPRINKLER HEAD
R1	8-3/4" DIAMETER PENDANT MOUNTED FIXTURE WITH DIE-CAST ALUMINUM HOUSING	EXIT	CEILING MOUNTED EXIT LIGHT FIXTURE
R2	3-1/2" DIAMETER PENDANT MOUNTED FIXTURE WITH DIE-CAST ALUMINUM HOUSING	WEXIT	WALL MOUNTED EXIT LIGHT FIXTURE

RESTROOM ACCESSORIES		
#	DESCRIPTION	MOUNTING HEIGHT AFF. UNLESS OTHER-WISE NOTED
1	LAVATORY MOUNTED LATHER SOAP VALVE	HCP COUNTER STD. HEIGHT
2	RECESSED TOILET SEAT COVER DISPENSER	HCP 44 1/2" T.O.U. STD. 60" T.O.U.
3	TOILET PAPER HOLDER FOR TWO ROLLS	HCP 18" B.O.U. STD. 31" T.O.U.
4	36" STAINLESS STEEL GRAB BAR 1 1/2" DIAMETER CONCEALED MOUNTING	HCP 33" T.O.U. STD.
5	RECESSED NAPKIN - TAMPON DISPENSER	HCP 52" T.O.U. STD. 69" T.O.U.
6	HANDICAP MIRROR	HCP 40" B.O.U. STD. N/A
7	RECESSED COMBINATION PAPER TOWEL DISPENSER AND WASTE RECEPTACLE	HCP 52 3/4" T.O.U. STD. 71" T.O.U.
8	COAT HOOK & BUMPER	HCP 3'-6" STD. 3'-0"
9	SURFACE MOUNTED PAPER TOWEL DISPENSER	HCP 3'-10" T.O.U. STD. N/A
10	SURFACE MOUNTED WASTE RECEPTACLE	HCP 2'-2" T.O.U. STD. N/A
11	42" STAINLESS STEEL GRAB BAR 1 1/2" DIAMETER CONCEALED MOUNTING	HCP 33" T.O.U. STD.
12	MIRROR	HCP ----- STD. ---
13	SURFACE MOUNTED LATHER SOAP DISPENSER	HCP 44" B.O.U. STD. 44" MAX. B.O.U.
14	BABY CHANGING TABLE	HCP 31" B.O.U. STD.

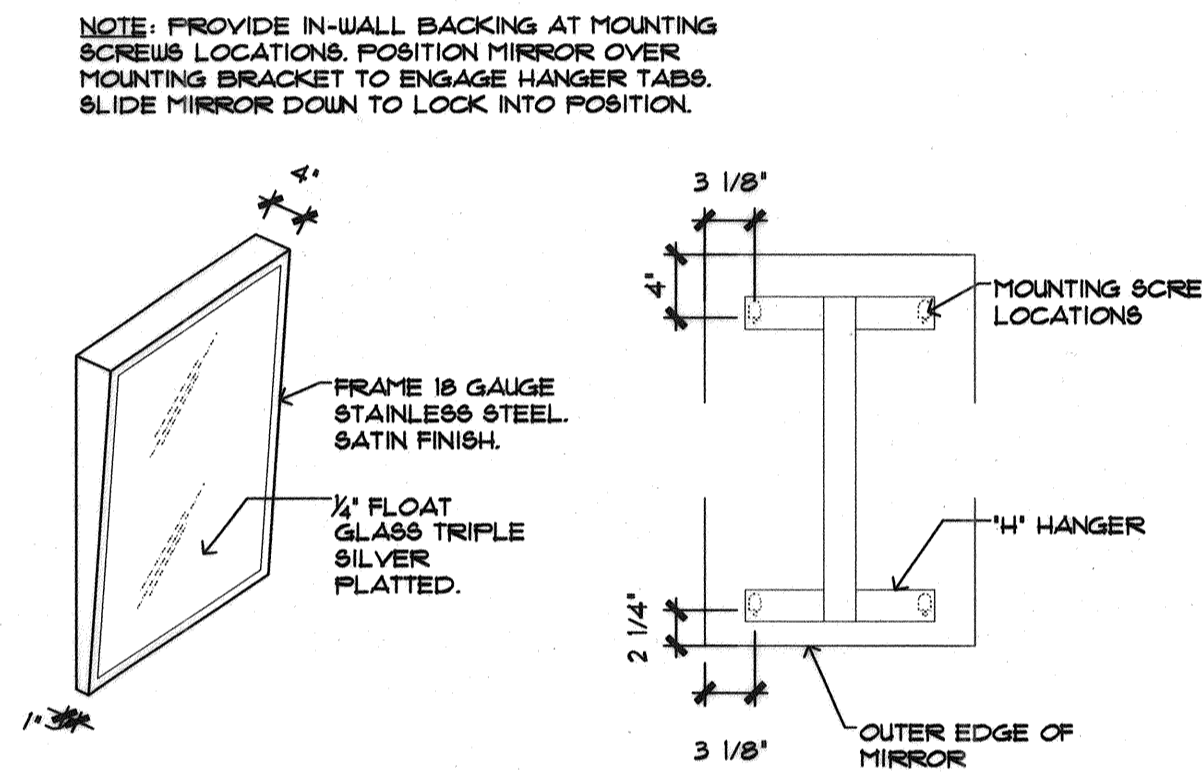
NOTES: T.O.U. = TOP OF UNIT HCP = HANDICAPPED B.O.U. = BOTTOM OF UNIT AFF. = ABOVE FINISHED FLOOR



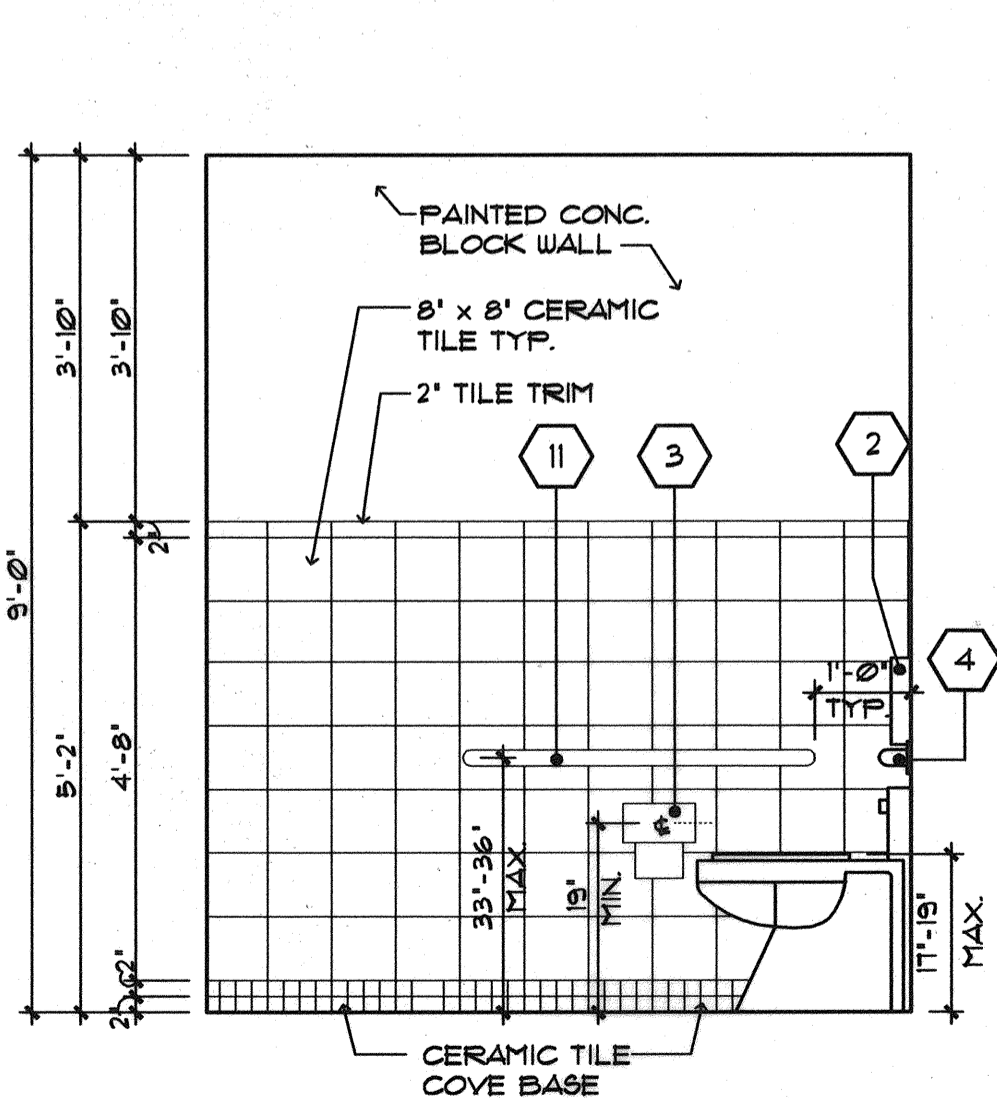
UNISEX RESTROOM ELEVATION 1
SCALE: 1/2"=1'-0"



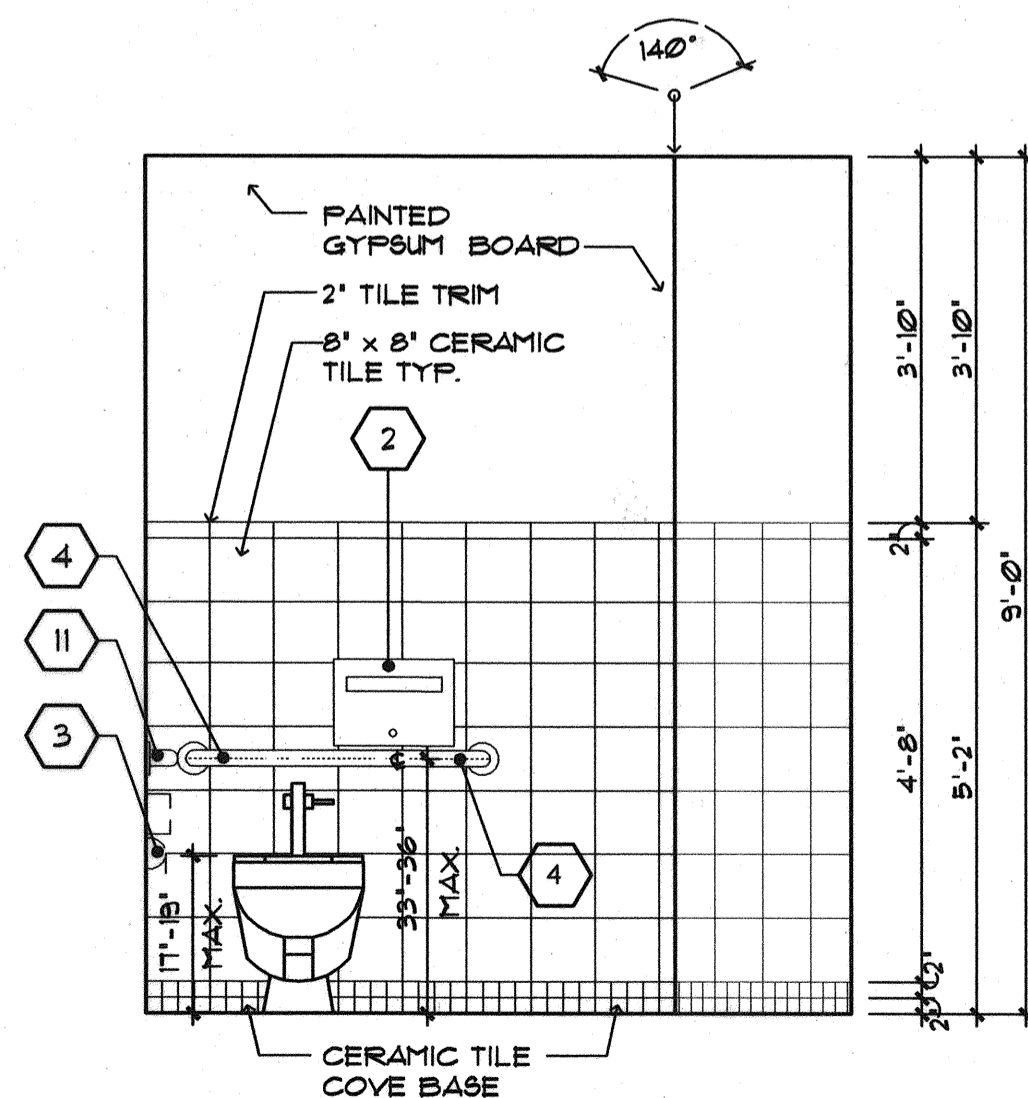
UNISEX RESTROOM ELEVATION 2
SCALE: 1/2"=1'-0"



ADA COMPLIANT MIRROR DETAIL



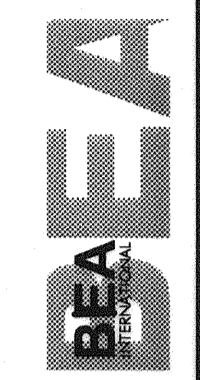
UNISEX RESTROOM ELEVATION 3
SCALE: 1/2"=1'-0"



UNISEX RESTROOM ELEVATION 4
SCALE: 1/2"=1'-0"

GENERAL RESTROOM NOTES:	
TOILET ROOMS SHALL CONFORM TO ALL ACCESSIBILITY REQUIREMENTS OF THE 'AMERICANS WITH DISABILITIES ACT (ADA)' INCLUDING, BUT NOT LIMITED TO, THE FOLLOWING	
A.	WATER CLOSETS SEAT HEIGHT - 17 - 19" AFF.
B.	CENTER LINE OF WATER CLOSET - 18" FROM SIDE WALL.
C.	TOILET PAPER DISPENSER - 36" MAX. FROM REAR WALL, 19" MIN. AFF.
D.	KNEE CLEARANCE AT LAVATORY - AFRON 29" MIN. HT, 8" MIN. DEPTH.
E.	LAVATORY DEPTH - 17" MIN.
F.	LAVATORY HOT WATER AND DRAIN PIPES INSULATED WHEREVER EXPOSED.
G.	LAVATORY RIM SURFACE - 34" MAX. AFF.
H.	INTERNATIONAL SYMBOL OF ACCESSIBILITY SHALL BE MOUNTED IN THE VICINITY OF MAIN ENTRY

IN ASSOCIATION WITH:
CORRILL-PALMER CONSULTING ENGINEERS
PERATROVICH, NOTTINGHAM & DRAGE
WINTON SCOTT ARCHITECTS
HALEY & ADRICH



STATE OF MAINE
DEPARTMENT OF TRANSPORTATION
PROJECT NUMBER 009215.00
P/I/N 009215.00

PROJ. MGR.	PAUL POTTE	DATE	BY
DESIGN-DETAILED			
CHECKED-REVIEWED			
DESIGN-DETAILED			
REVISIONS 1			
REVISIONS 2			
REVISIONS 3			
REVISIONS 4			
FIELD CHANGES			

CITY OF PORTLAND
OCEAN GATEWAY PHASE 1
ENLARGED RESTROOM FLOOR PLANS
RESTROOM ELEVATIONS

A401-V