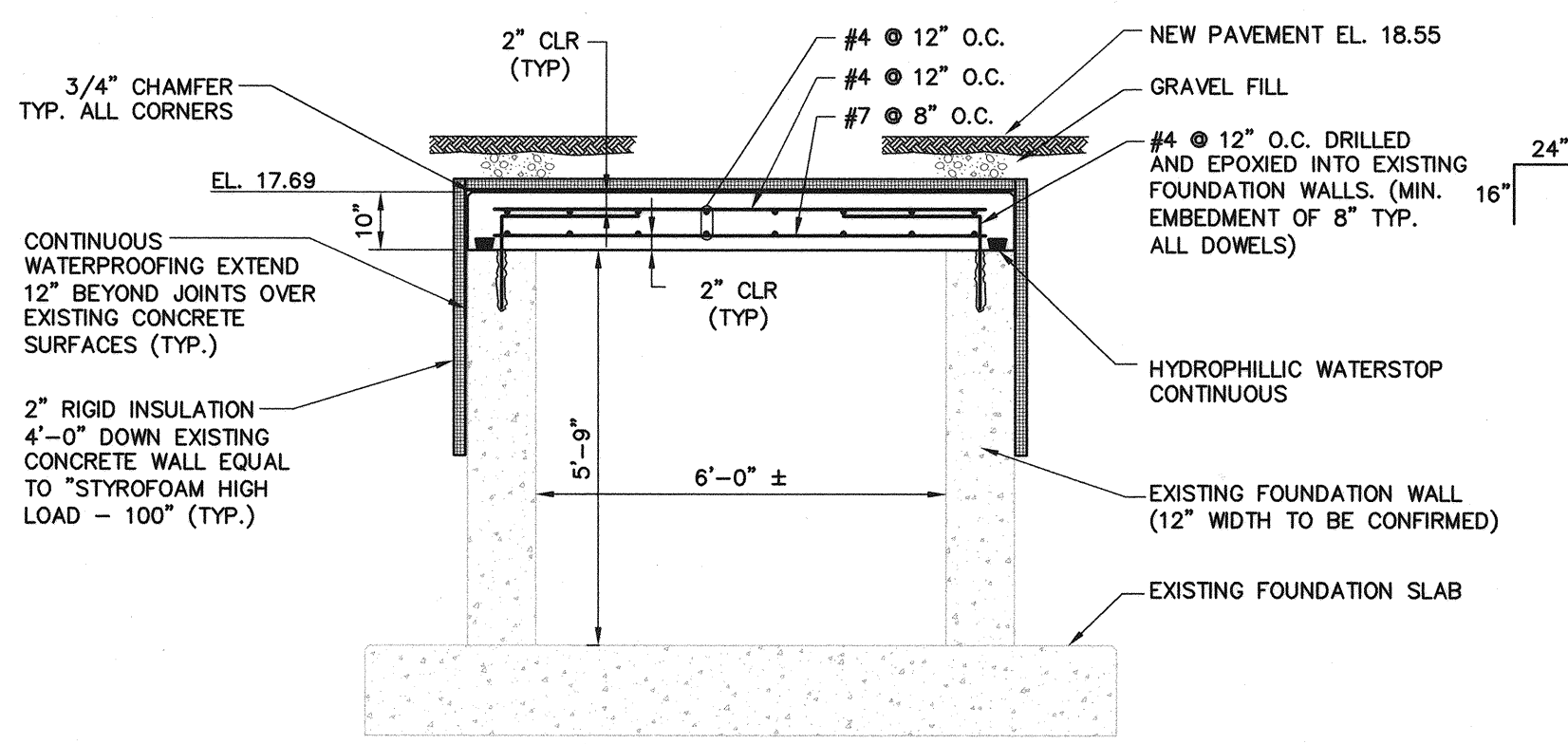
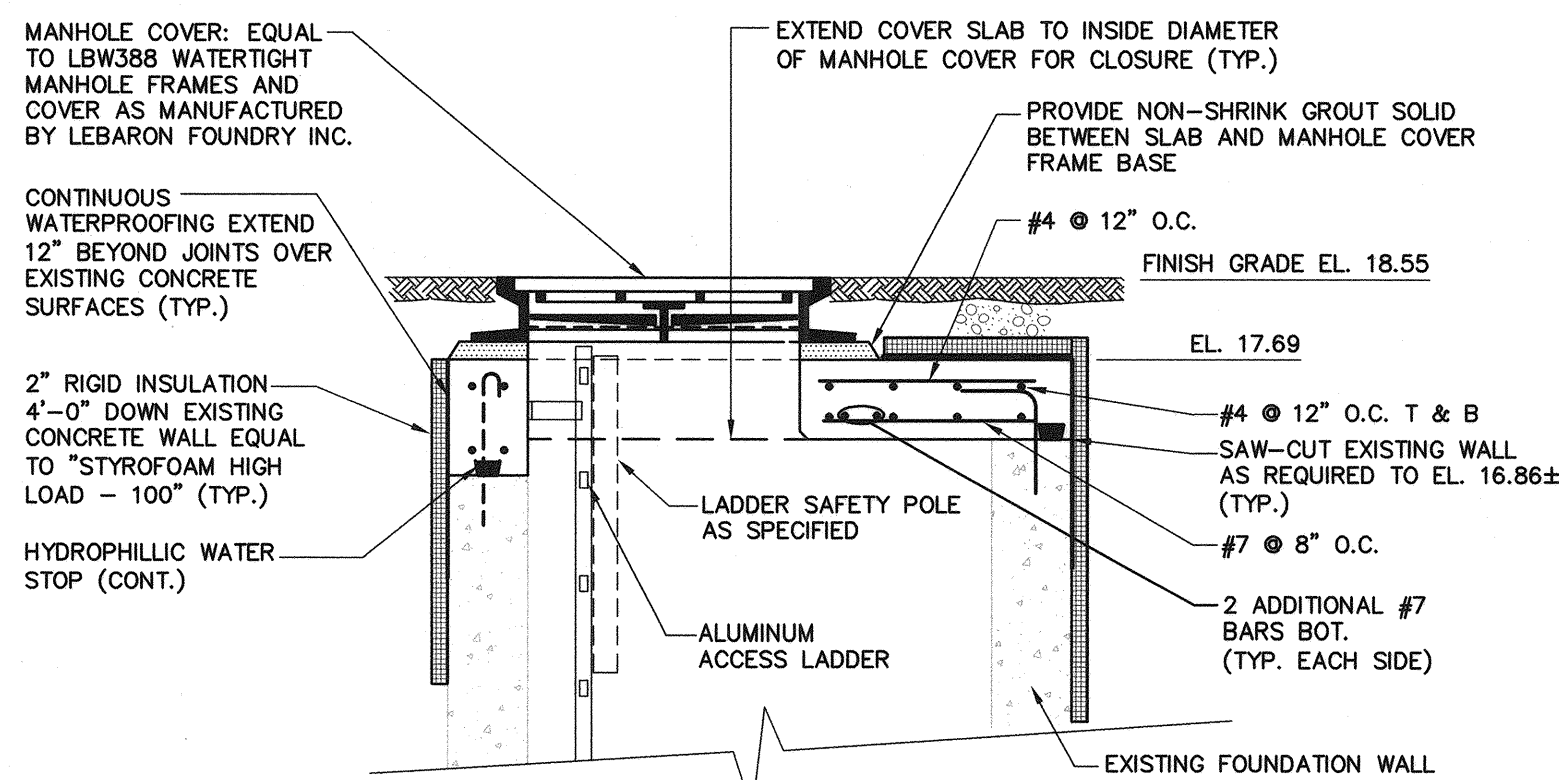


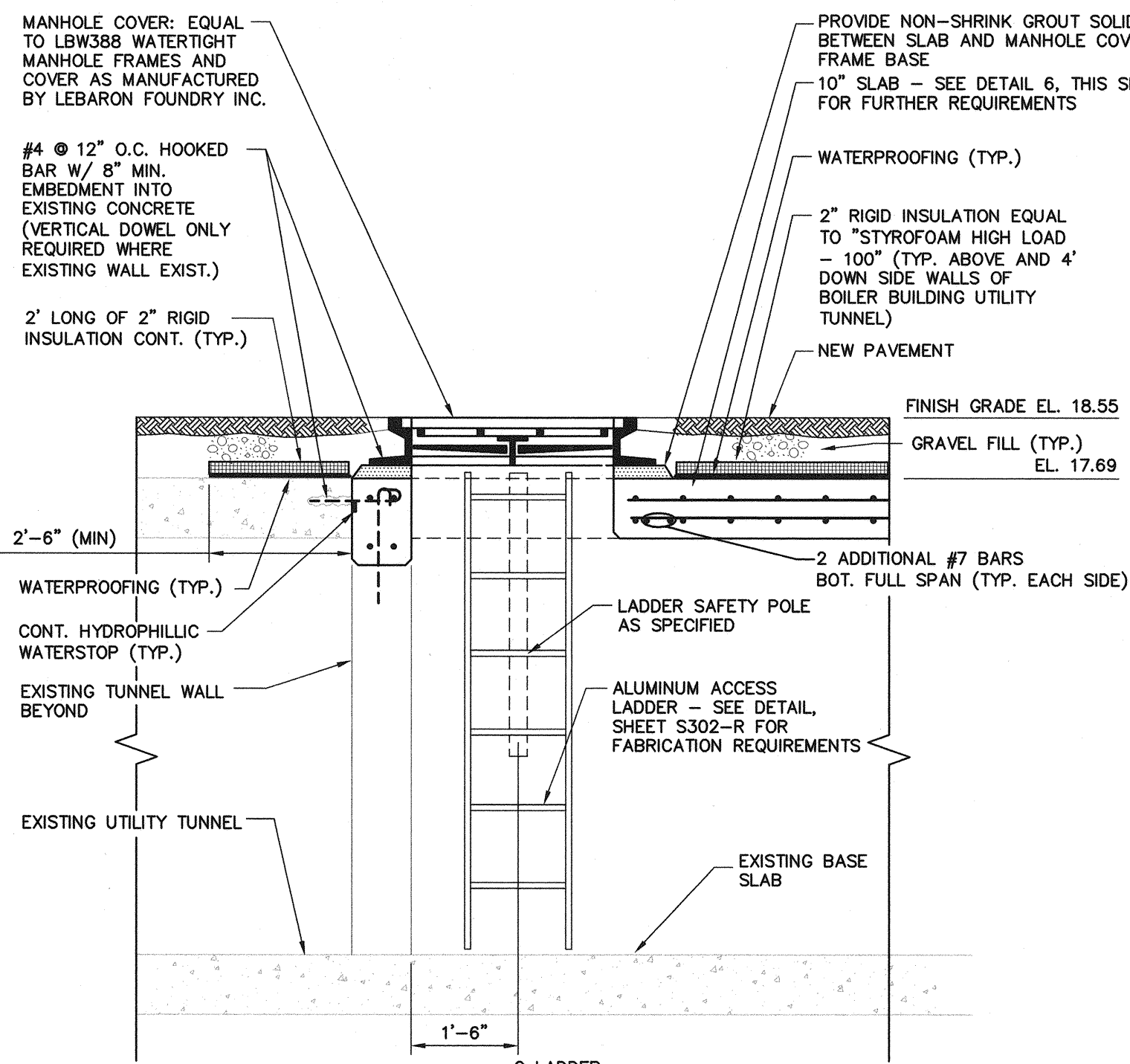
Filename: O:\203438 Ocean Gateway - Phase 1 Engineering\Project Deliverables\2004-10-27 - Issued for BIDD\CAD Drawings\Civil\20343802-R-S202.dwg, Oct 08, 2004 - 3:13pm



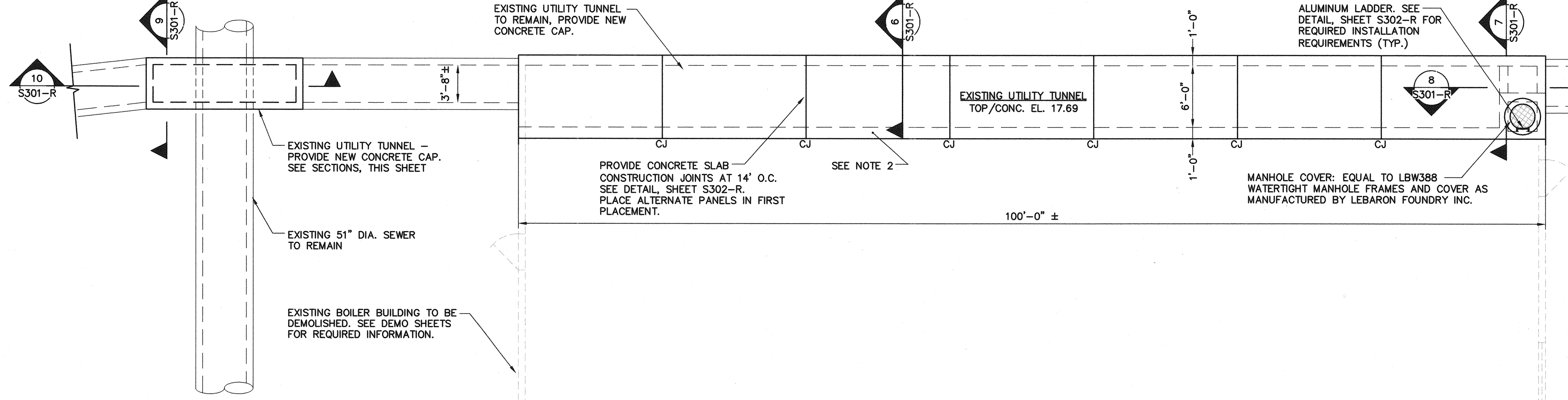
SECTION 6
SCALE: 3/8" = 1'-0"
S301-R



SECTION 7
SCALE: 1/2" = 1'-0"
S301-R



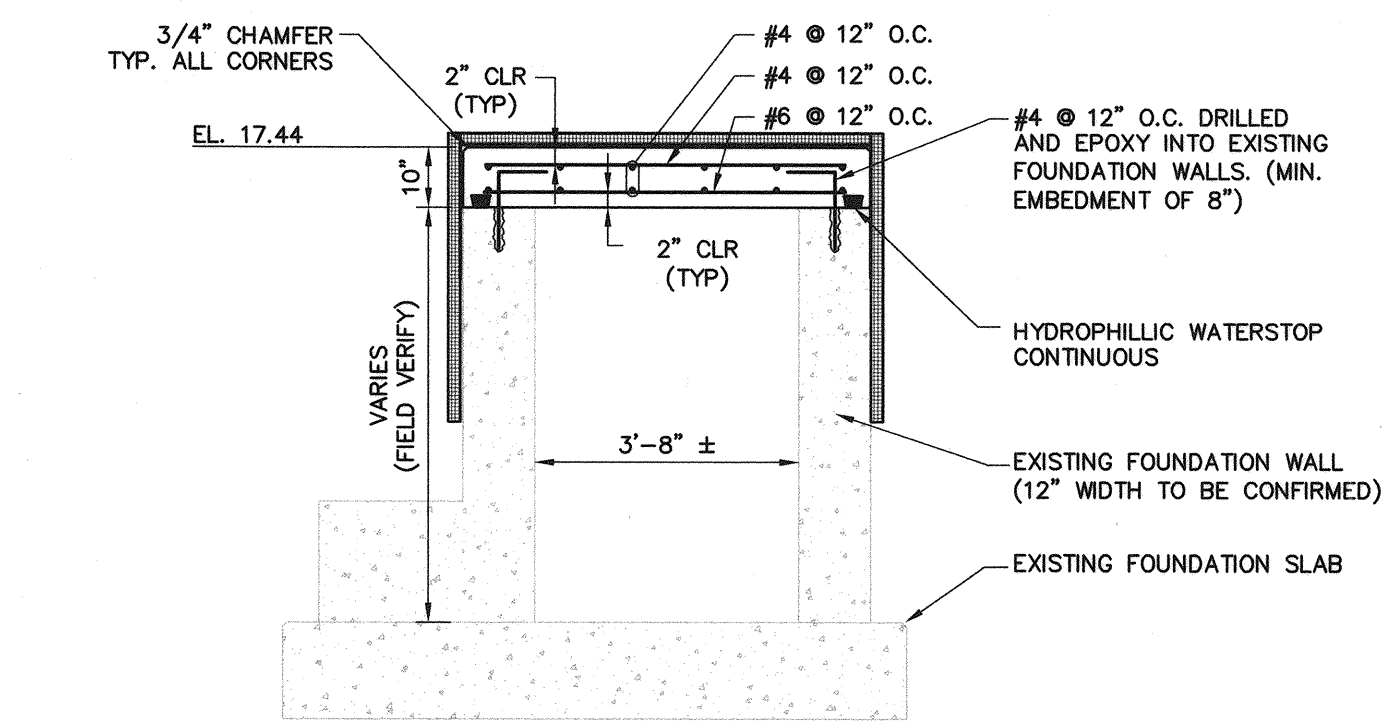
SECTION 8
SCALE: 1/2" = 1'-0"
S301-R



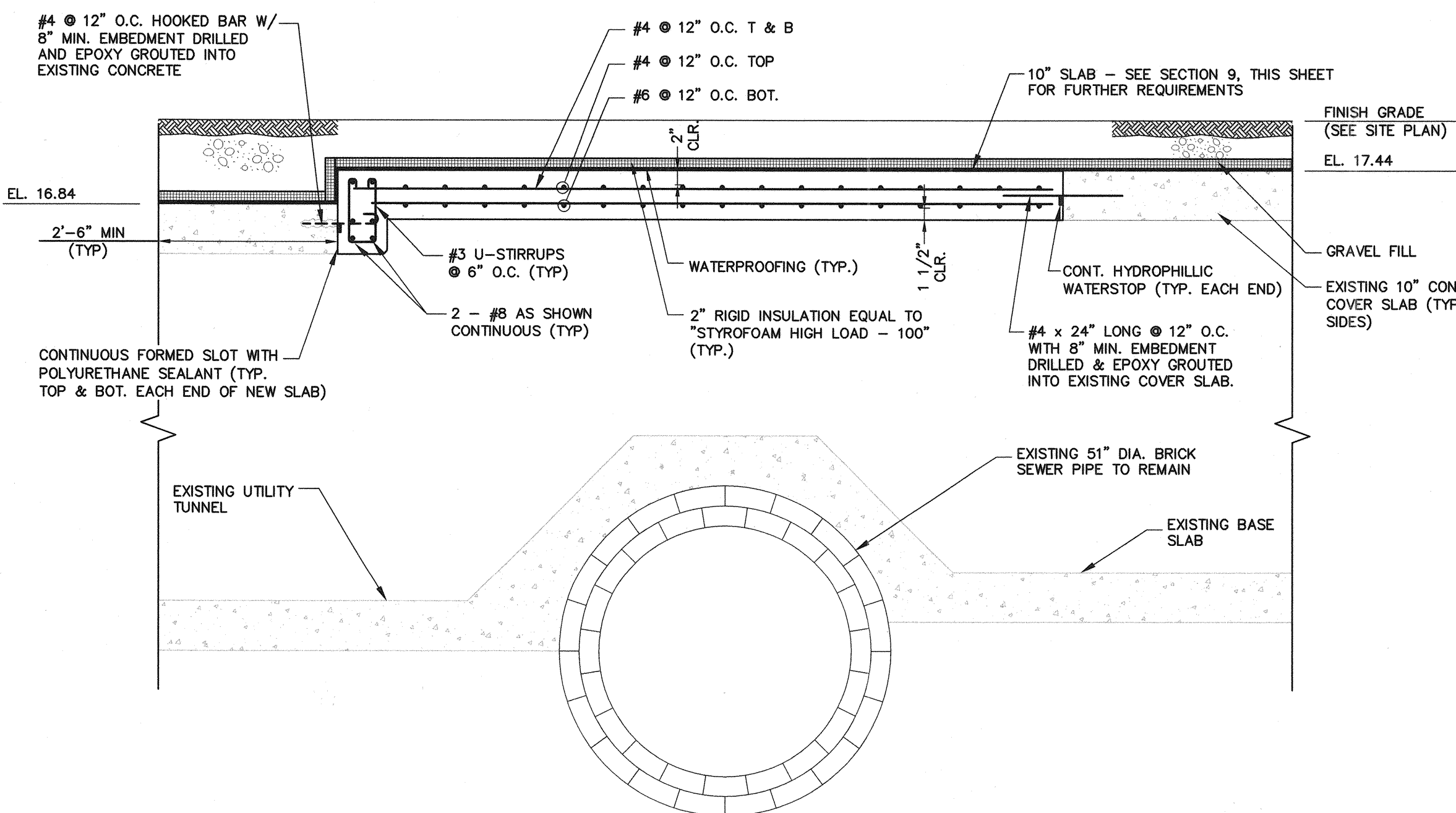
BOILER BUILDING PLAN
SCALE: 1/8" = 1'-0"

NOTES:

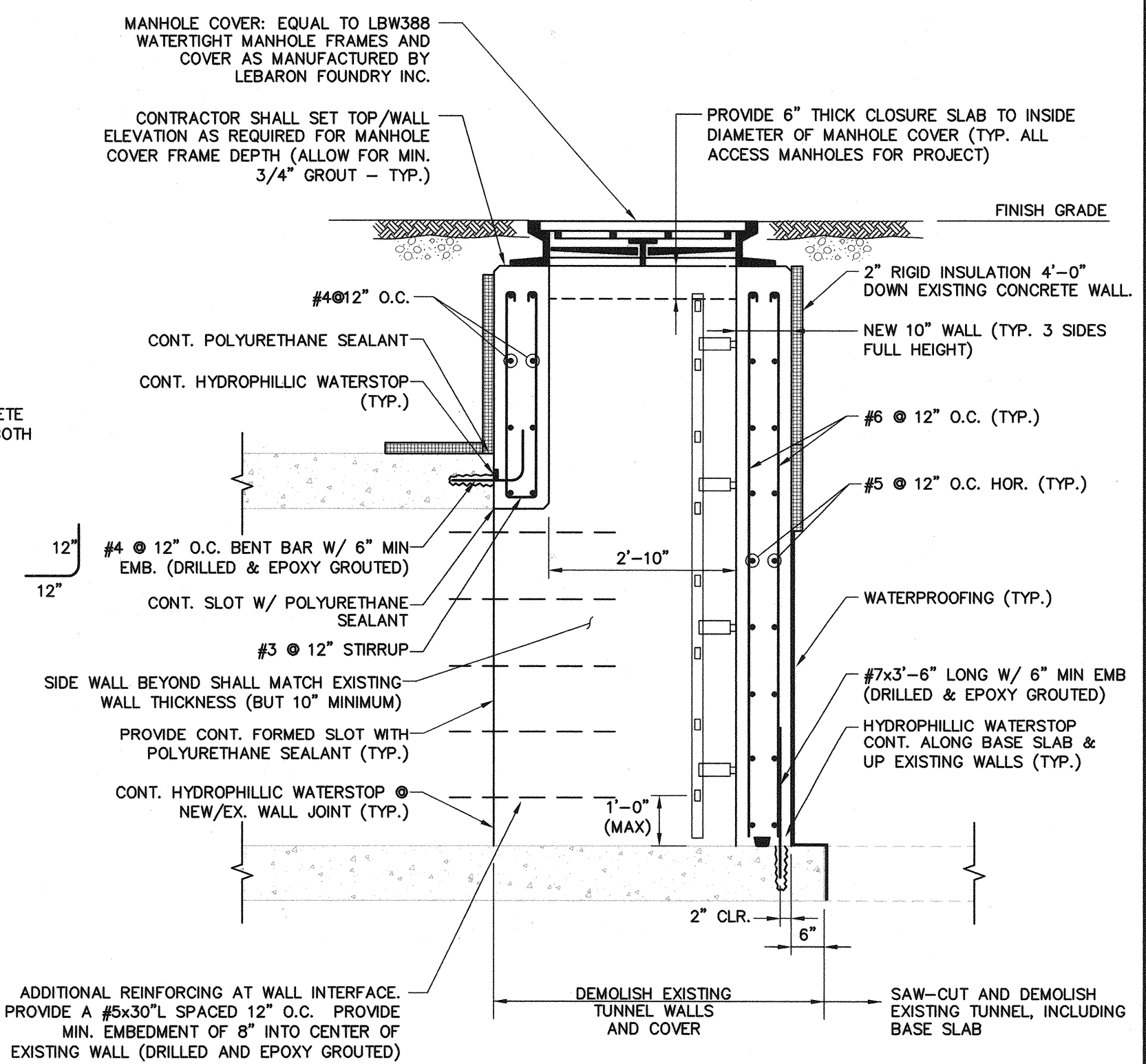
- 1. ALL EXISTING DIMENSIONS ARE BASED ON FIELD MEASUREMENTS AND LIMITED DRAWINGS. THE CONTRACTOR SHALL BE RESPONSIBLE FOR FIELD VERIFICATIONS OF ALL DIMENSIONS NECESSARY FOR COMPLETION OF WORK.
- 2. PROVIDE CONCRETE INFILL ALONG TUNNEL WALLS AS REQUIRED AT ABANDONED BOILER ROOM TRENCH DRAINS AS REQUIRED



SECTION 9
SCALE: 3/8" = 1'-0"
S301-R



SECTION 10
SCALE: 1/2" = 1'-0"
S301-R



SECTION 11
SCALE: 1/2" = 1'-0"
S203-R

STATE OF MAINE
DEPARTMENT OF TRANSPORTATION
PROJECT NUMBER 009215.00
PIN
009215.00

WOODARD & CURRAN
Engineering • Science • Operations
41 Hutchins Drive • Portland, Maine 04102

JAMES PARKER STURGIS #7426
REGISTERED PROFESSIONAL ENGINEER
DATE 10-8-04
P.E. NUMBER 7426

CITY OF PORTLAND
OCEAN GATEWAY PHASE 1
BOILER BUILDING
PLAN AND SECTION

S301-R