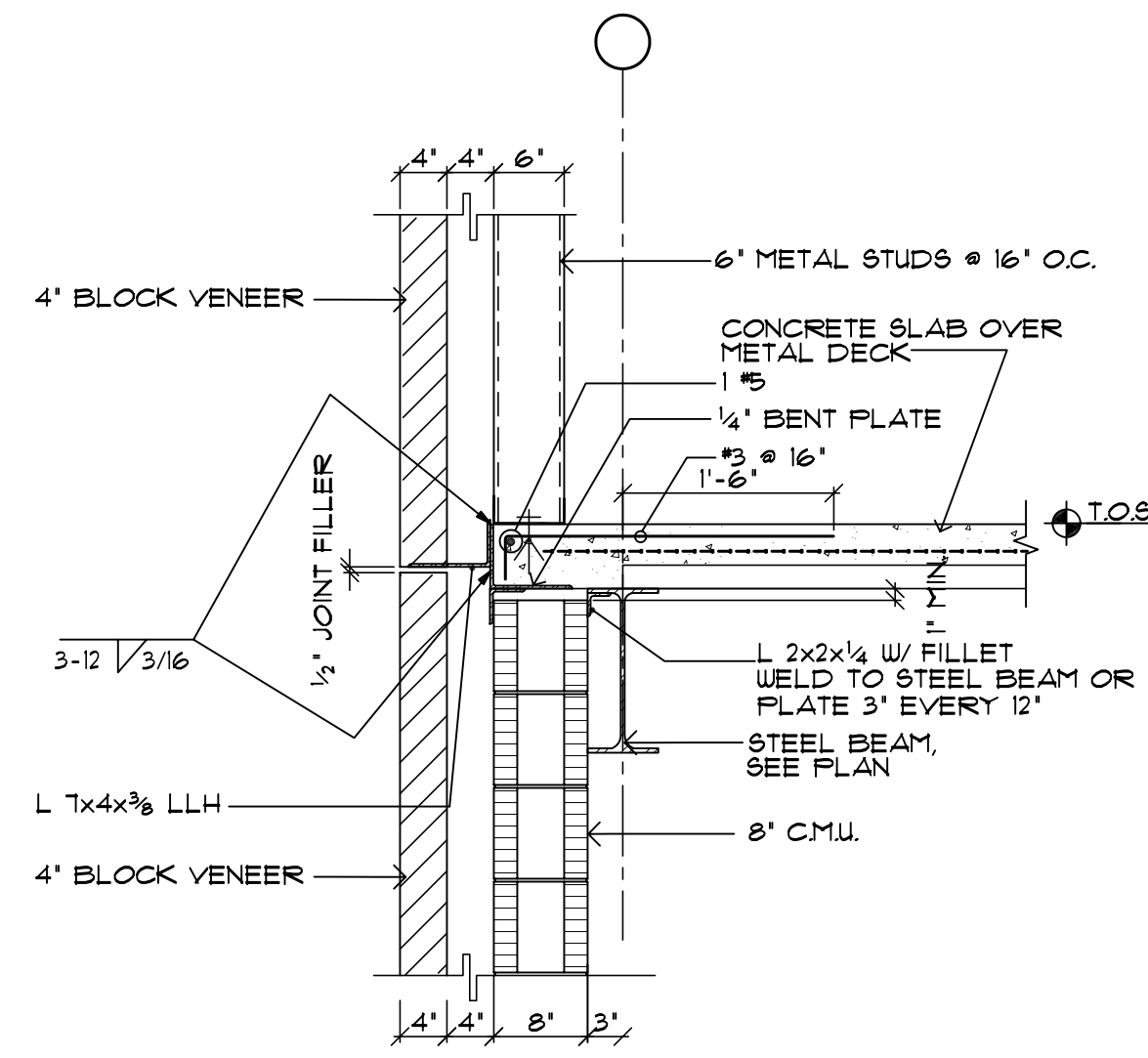
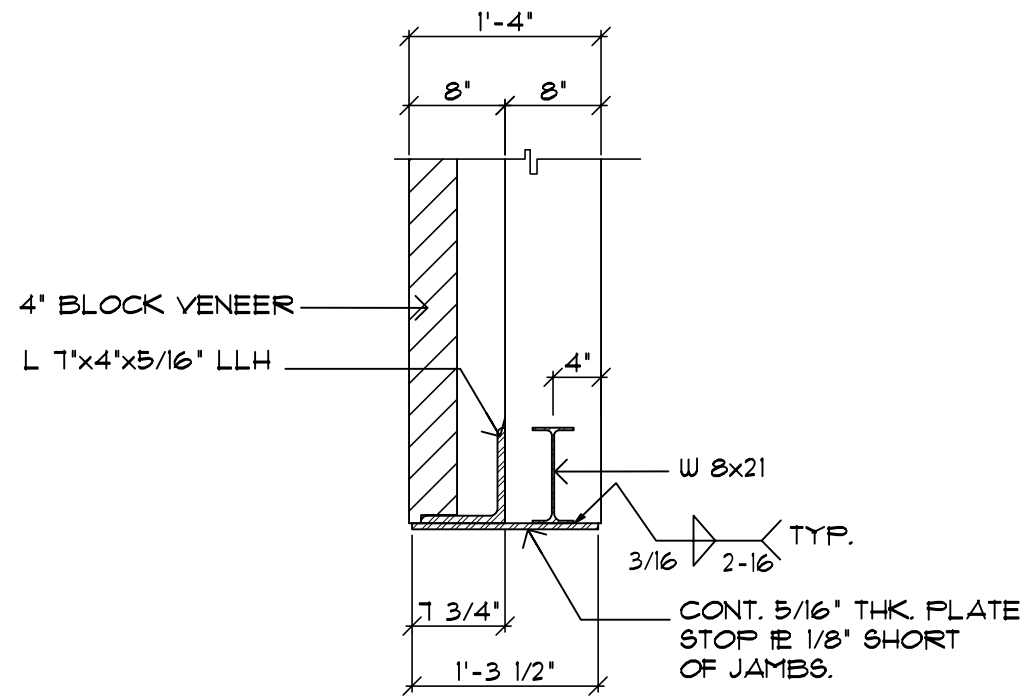


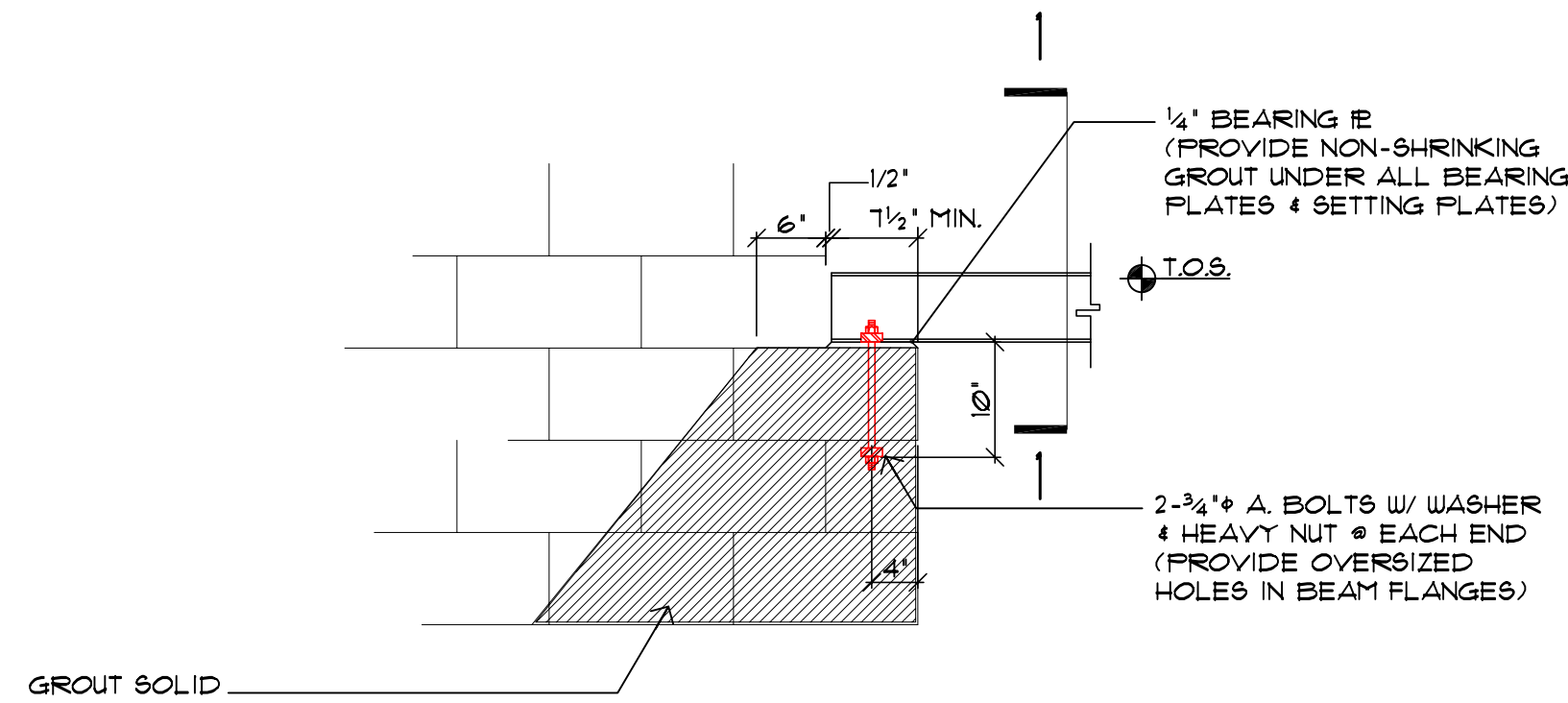
SECTION 1
SCALE: 3/4" = 1'-0"



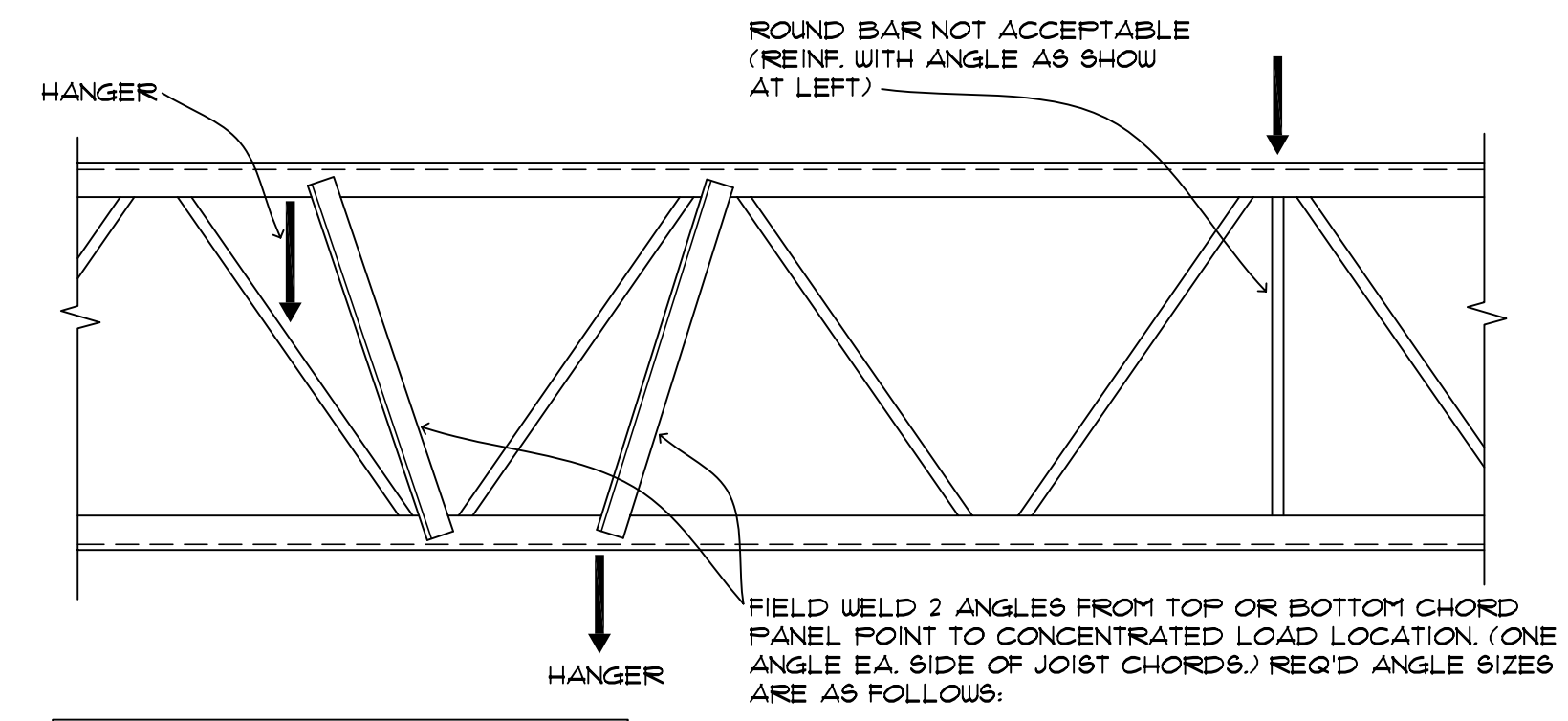
SECTION 2
SCALE: 3/4" = 1'-0"



SECTION 1-1



STEEL LINTEL DETAIL
SCALE: 3/4" = 1'-0"



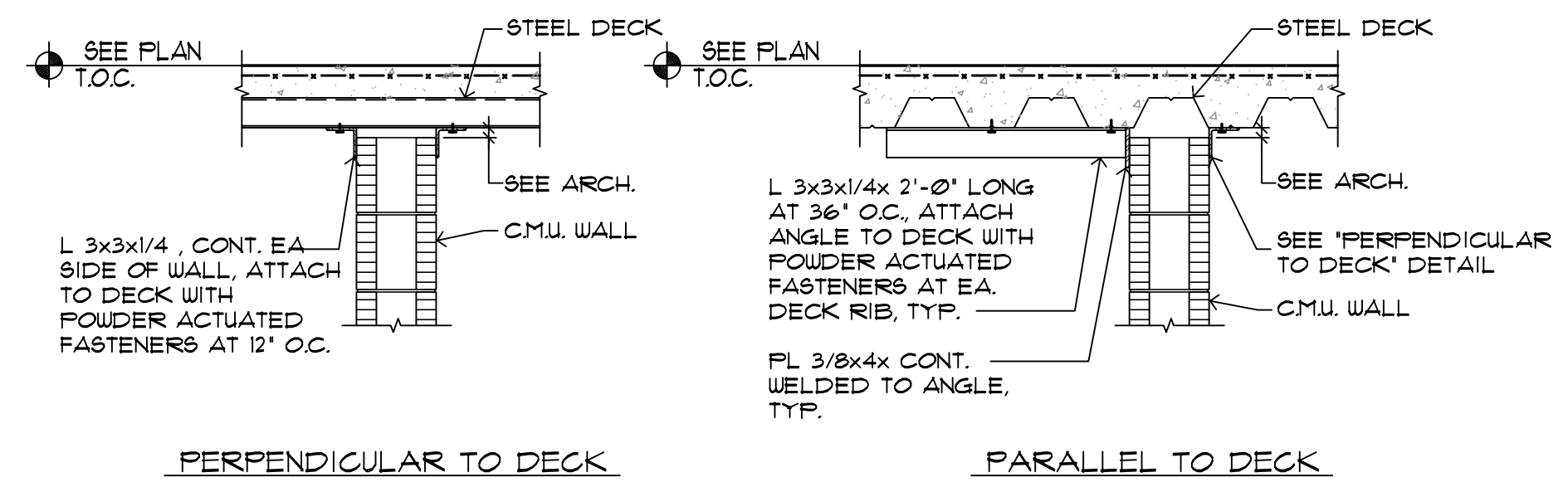
TYP. FOR ALL JOIST SUPPORTING CONCENTRATED LOAD FROM TOP OR BOT. CHORD BETWEEN PANEL PTS. VERIFY LOC. & NO. OF LOADS W/ARCH, HVAC, FLUTYMB, & ELEC. DUGS/(NOT REQ'D FOR CONCENTRATED LOADS LESS THAN 200 POUNDS).

JOIST DEPTH
8' TO 24'
26' TO 48'

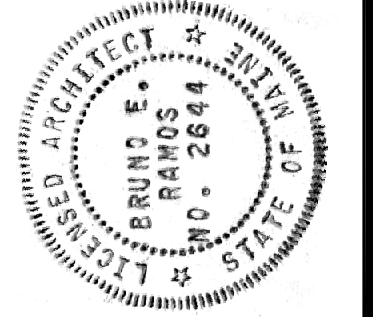
ANGLE SIZE
L 1 1/2" x 1 1/2" x 1/8"
L 2 x 2 x 3/16"

TYP. JOIST MODIFICATION AT CONCENTRATE LOAD EXCEEDING 200 POUNDS

SCALE: 3/4" = 1'-0"



TYPICAL CMU PARTITION WALL BRACING
SCALE: 3/4" = 1'-0"



SIGNATURE
P. LICENCE NUMBER
DATE 12/23/05

PROJ. MANAGER	PAUL POTTLE	DATE
DESIGN-DETAILED		
CHECKED-REVIEWED		
DESIGN-DETAILED2		
DESIGN-DETAILED3		
REVISIONS 1	WAAP 22 DESIGN CHANGES	10/15/05
REVISIONS 2	WAAP-VE-CODE CHANGES	12/23/05
REVISIONS 3		
REVISIONS 4		
FIELD CHANGES		