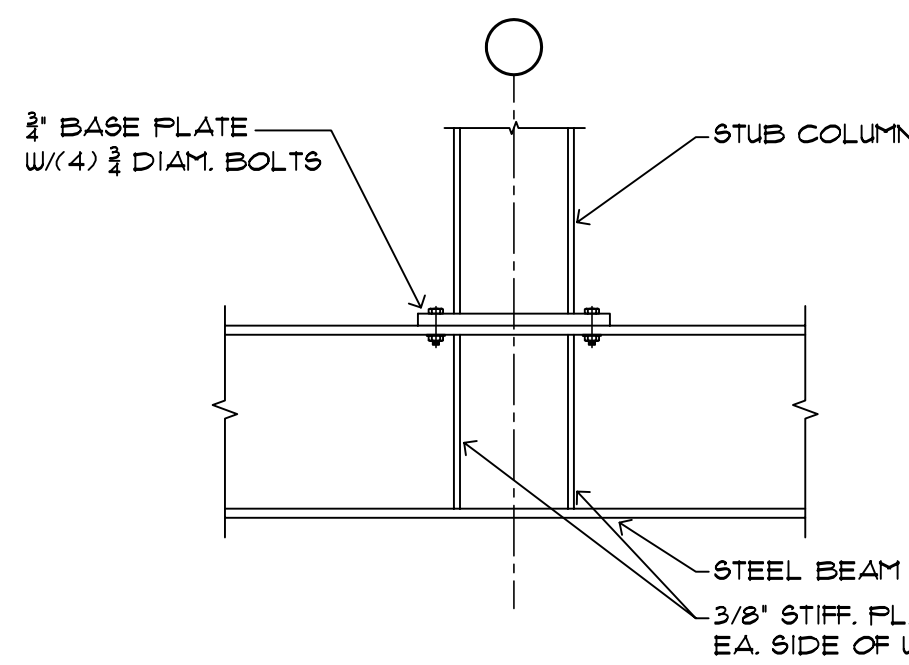
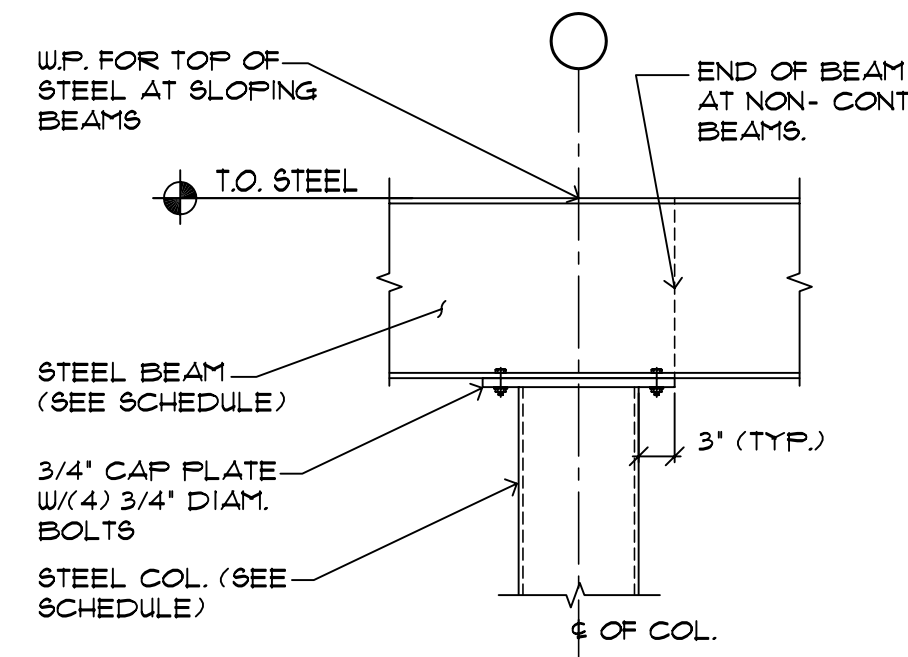


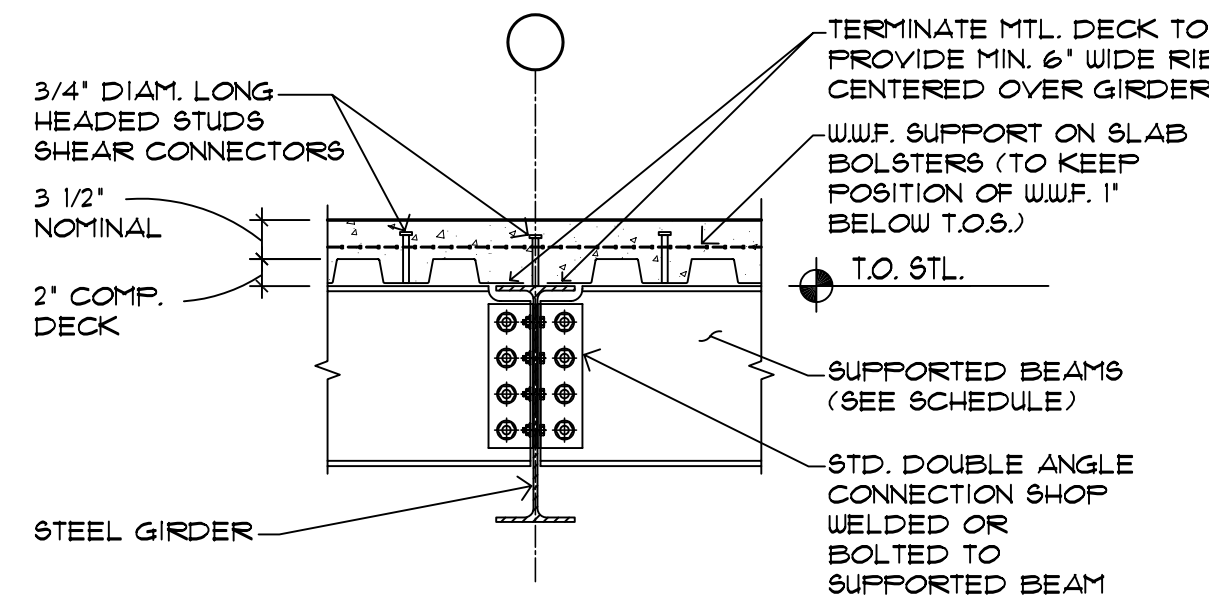
Filename: P:\02-0818 Maine Int Ferry Terminal\WORKING DRAWINGS\STRUCTURE\RECEIVING STATION\20343802-R-S202.dwg, Dec 23, 2005 - 2:20pm



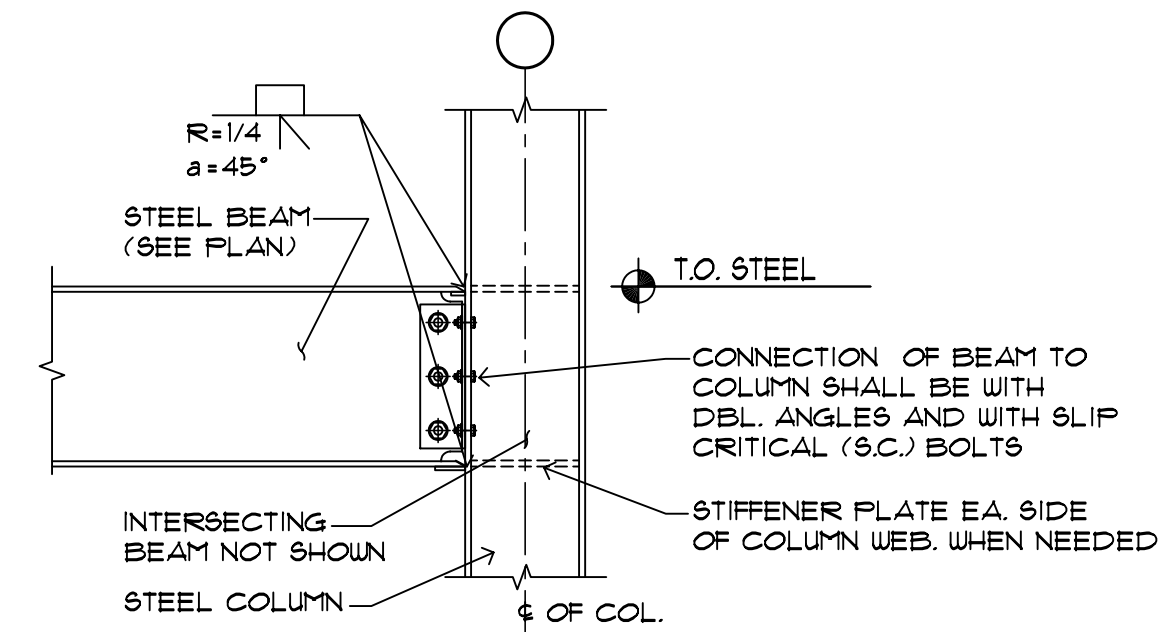
1 TYP. STUB COL. BOTTOM CONN. SCALE: 3/4"=1'-0"



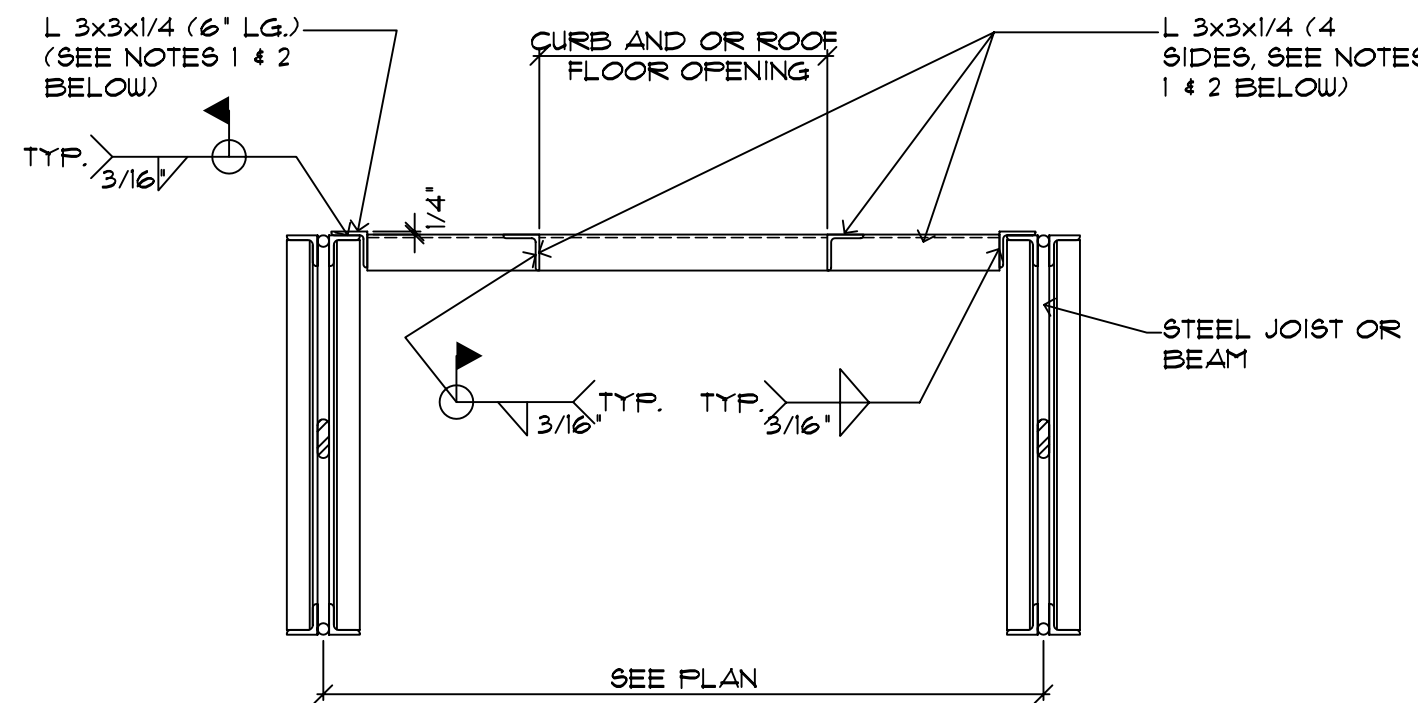
2 BEAM CONN. TO TOP OF COLUMN. SCALE: 3/4"=1'-0"



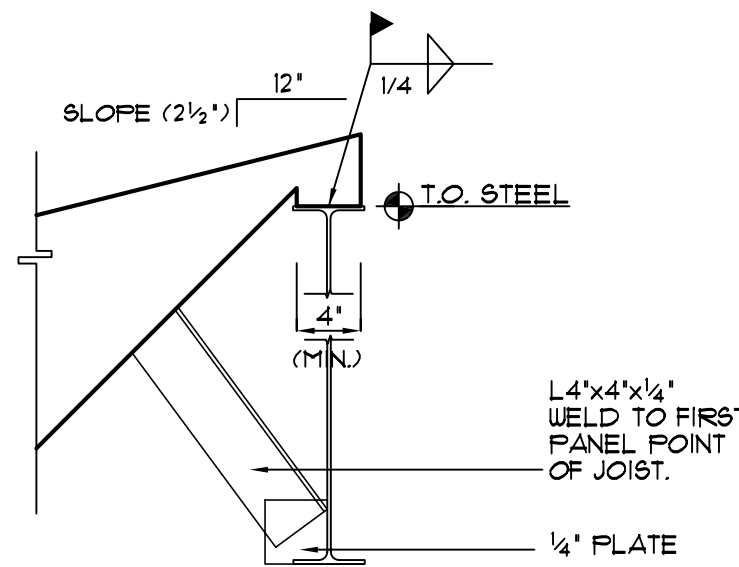
3 COMPOSITE BEAM DETAIL SCALE: 3/4"=1'-0"



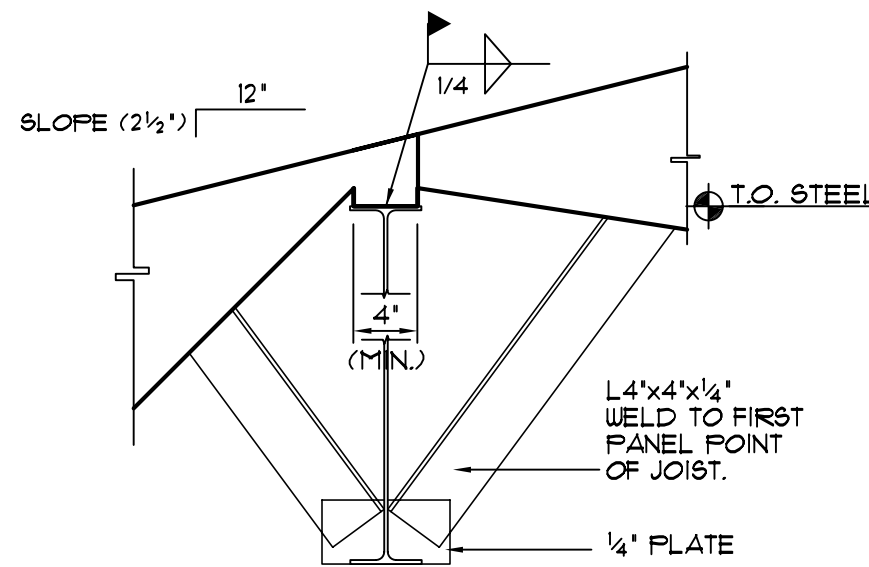
4 MOMENT CONNECTION 2 SCALE: 3/4"=1'-0"



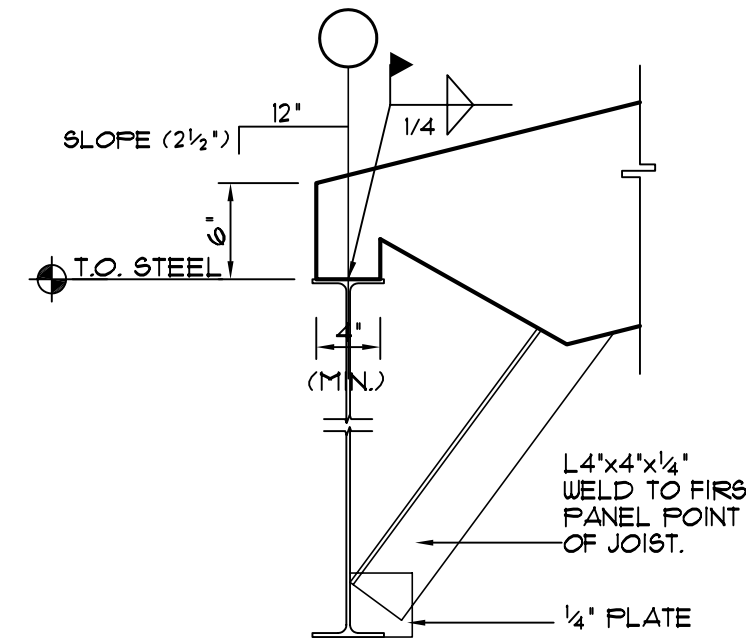
5 TYP. OPENING FRAMING & EQUIPMENT SUPPORT SCALE: 3/4"=1'-0"



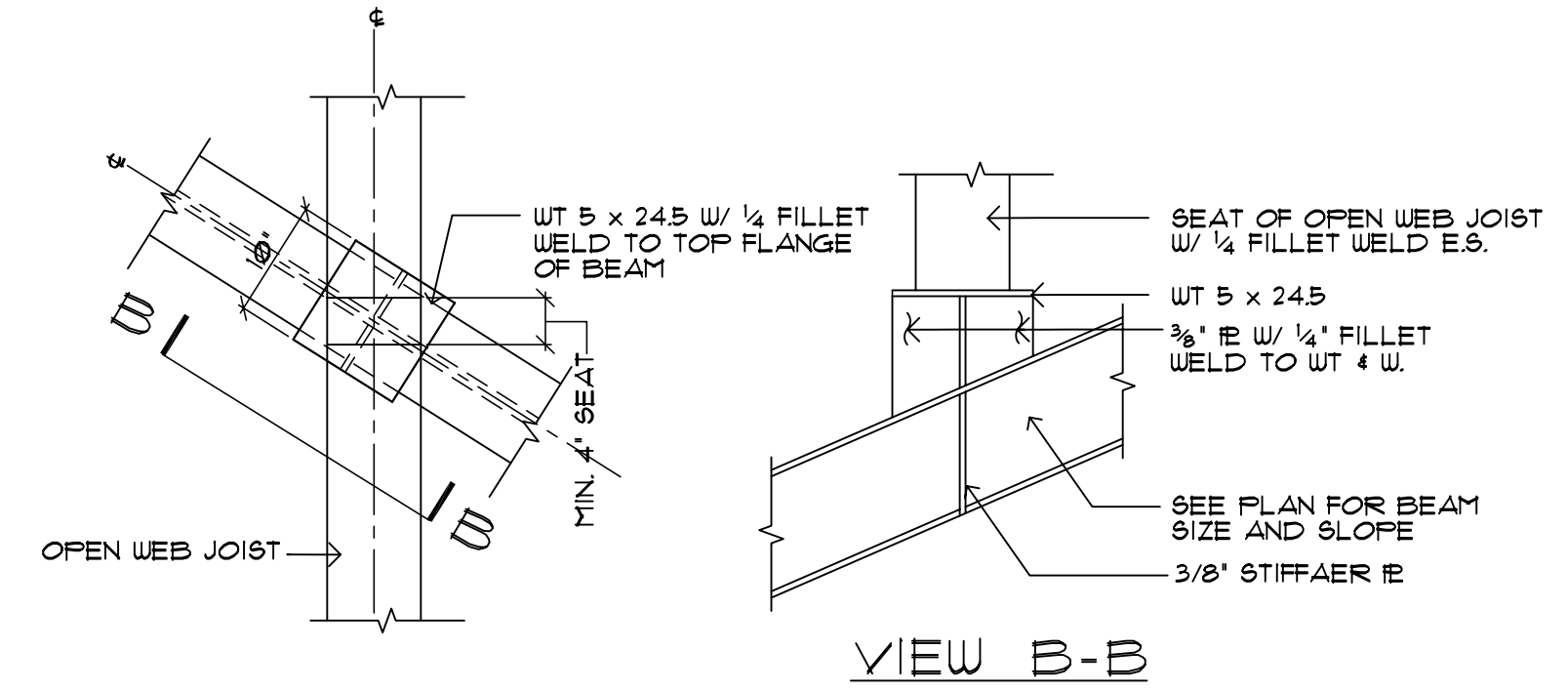
6 SLOPED SEAT SCALE: 1"=1'-0"



7 SLOPED SEAT SCALE: 1"=1'-0"

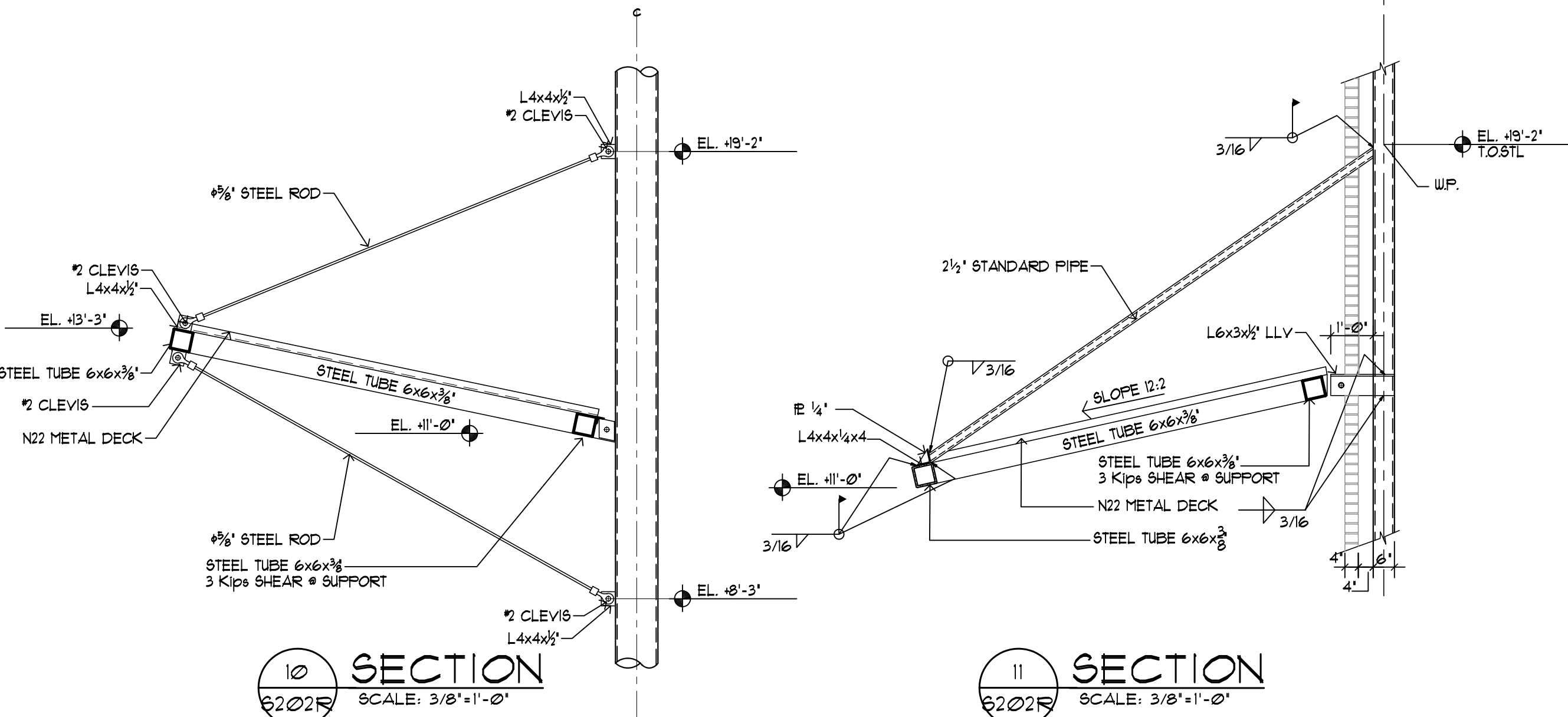


8 SLOPED SEAT SCALE: 1"=1'-0"

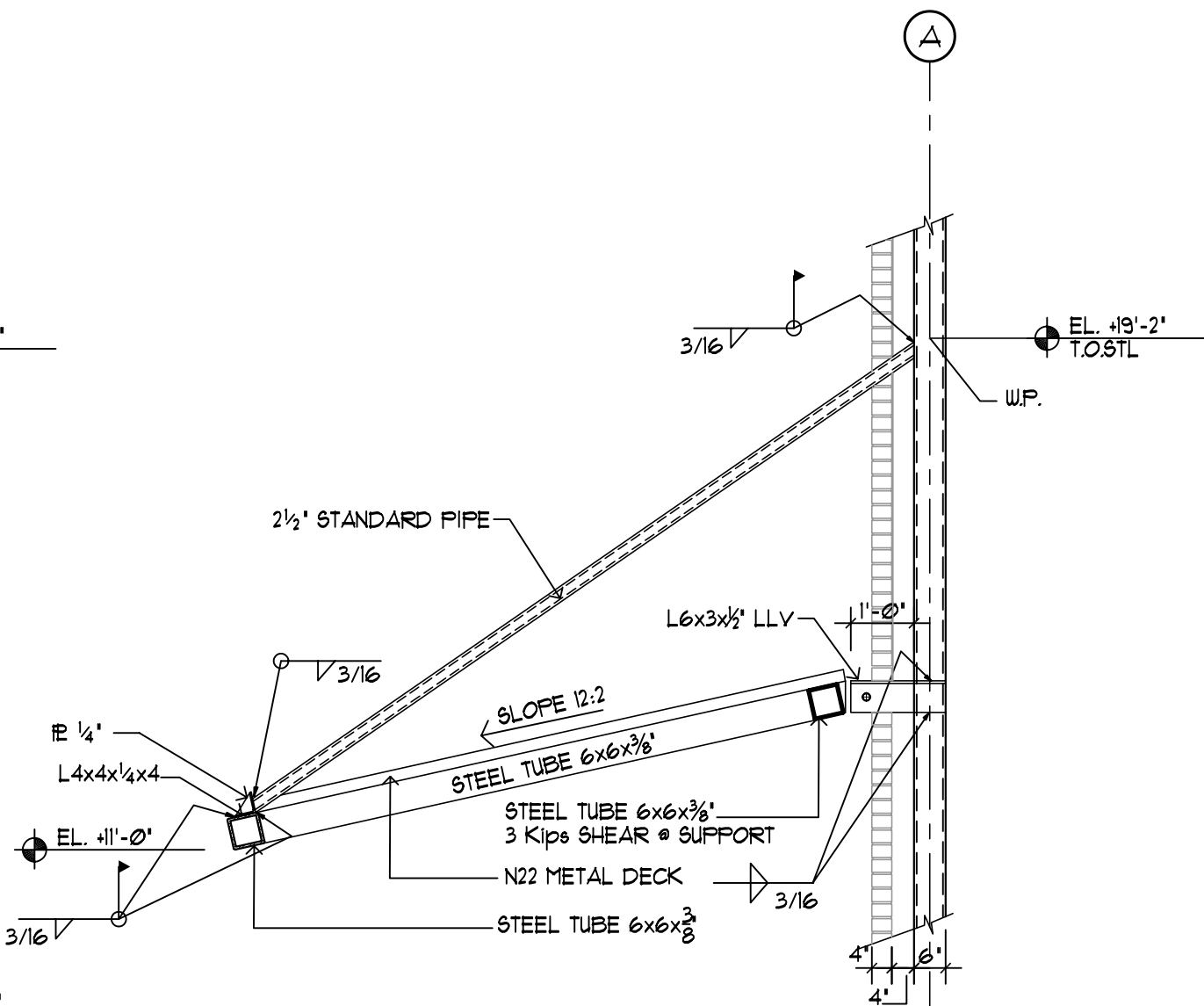


9 SECTION SCALE: 3/4"=1'-0"

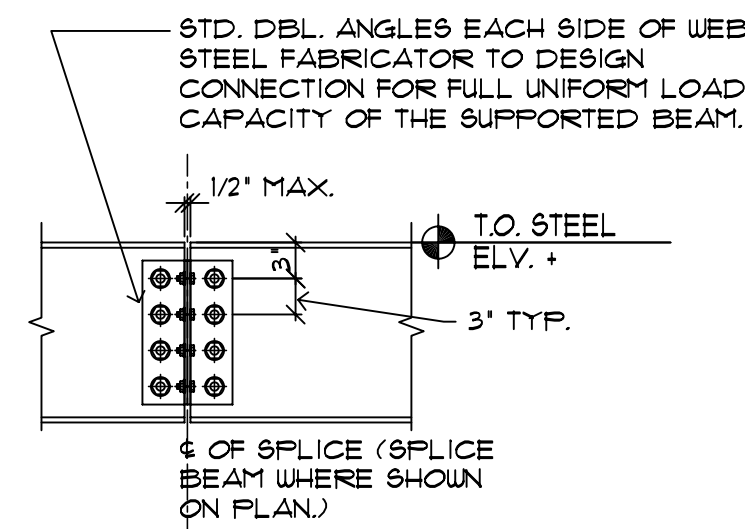
1. USE THIS DETAIL FOR MAX. 6'-0" JOIST SPACING AND MAX. 300# EQUIPMENT WEIGHT.
2. USE L 5x3x1/4" SUPPORTS FOR LARGER JOIST SPACING OR LOADS.
3. THIS DETAIL IS TYPICAL UNDER ALL ROOF TOP EQUIP. CURBS, AT ALL ROOF DRAINS & AT ROOF OPENINGS GREATER THAN 18".
4. ALL WELDING TO JOIST SHALL BE DONE WITH CARE SO AS NOT TO IMPAIR THE JOISTS.
5. VERIFY LOCATION, QUANTITY, SIZE AND WEIGHT W/ MECHANICAL CONTRACTOR. REPORT ANY VARIATION FROM THAT SHOWN ON PLAN TO STRUCTURAL ENGINEER BEFORE PROCEEDING WITH WORK.



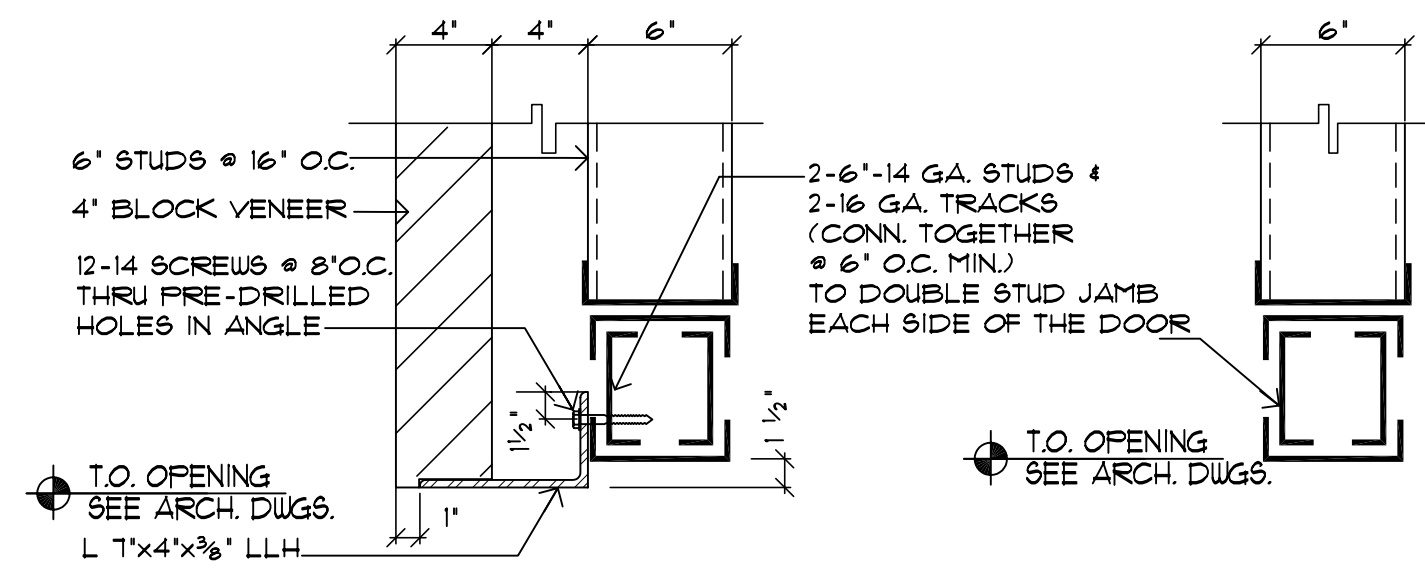
10 SECTION SCALE: 3/8"=1'-0"



11 SECTION SCALE: 3/8"=1'-0"



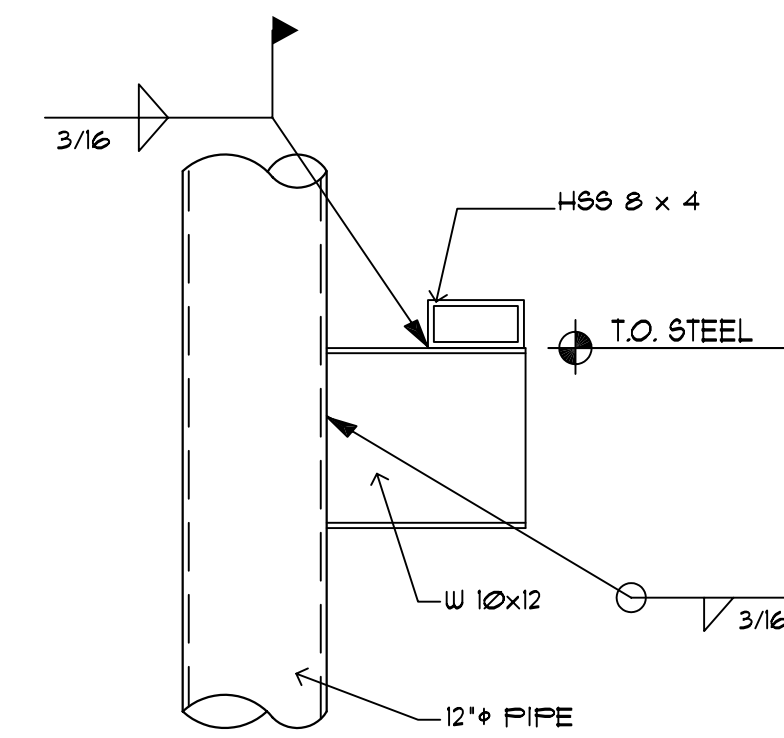
12 TYPICAL BEAM SPLICE. SCALE: 3/4"=1'-0"



TYP. LINTEL DETAIL FOR 6'-0" OPENING WIDE OR LESS AT FIRST FLOOR ONLY

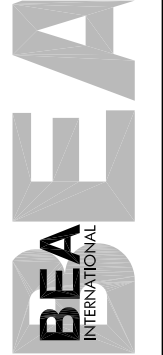
TYPICAL LINTEL DETAIL

13 SECTION N.T.S.

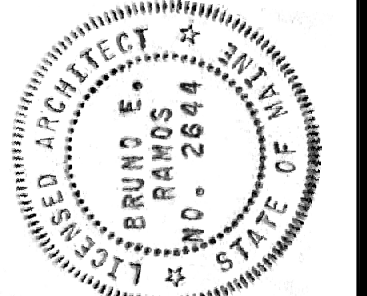


14 SECTION SCALE: 3/4"=1'-0"

IN ASSOCIATION WITH:
GERRILL PALMER CONSULTING ENGINEERS
PERATROVICH, NOTTINGHAM, & DRAKE
WINTON SCOTT ARCHITECTS
HALEY & ALDRICH



STATE OF MAINE
DEPARTMENT OF TRANSPORTATION
PROJECT NUMBER 009215.00



SIGNATURE
DATE 12/23/05

PROJ. MANAGER	PAUL POTTLE
DESIGN-DETAILED	
CHECKED-REVIEWED	
DESIGN-DETAILED2	
DESIGN-DETAILED3	
REVISIONS 1	WAP 22 DESIGN CHANGE 10/15/05
REVISIONS 2	WAP-VE-CODE CHANGES 12/23/05
REVISIONS 3	
REVISIONS 4	
FIELD CHANGES	

CITY OF PORTLAND
OCEAN GATEWAY PHASE 1
RECEIVING STATION
STRUCTURAL DETAILS

S202-R