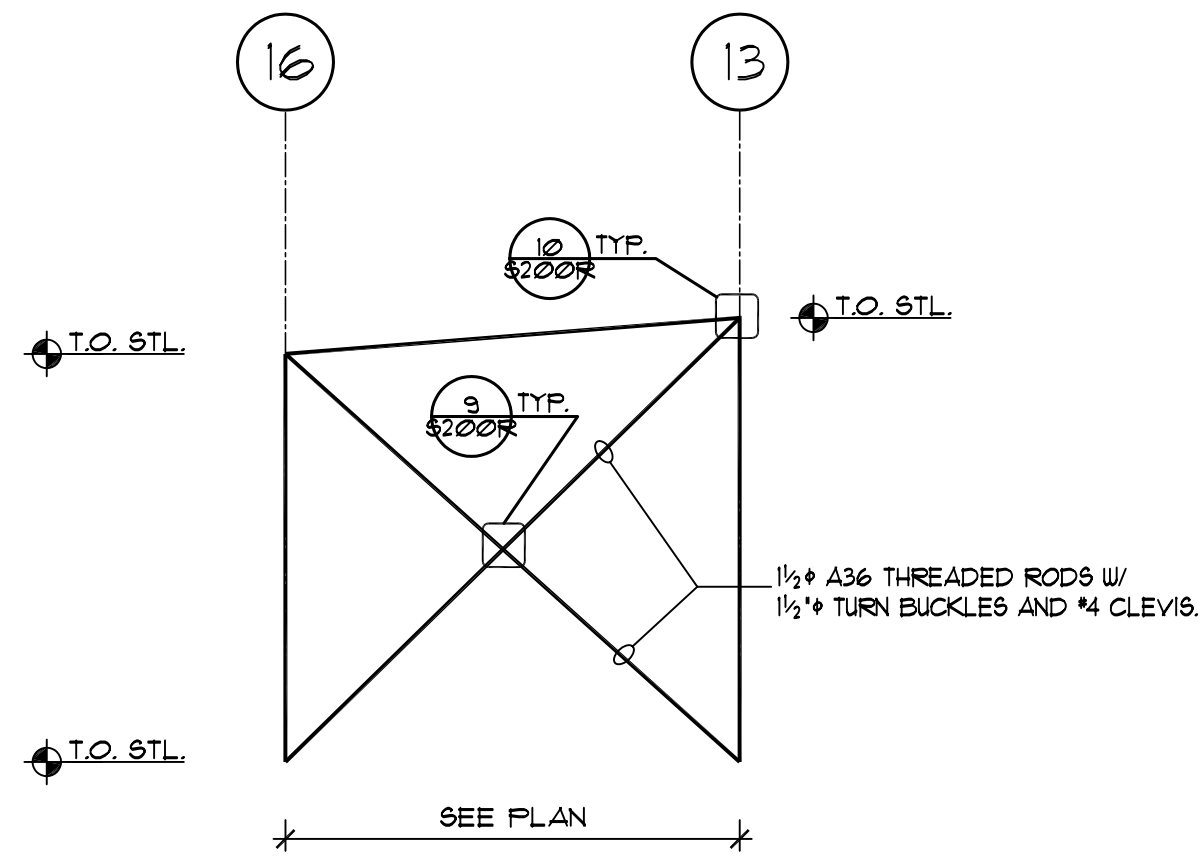
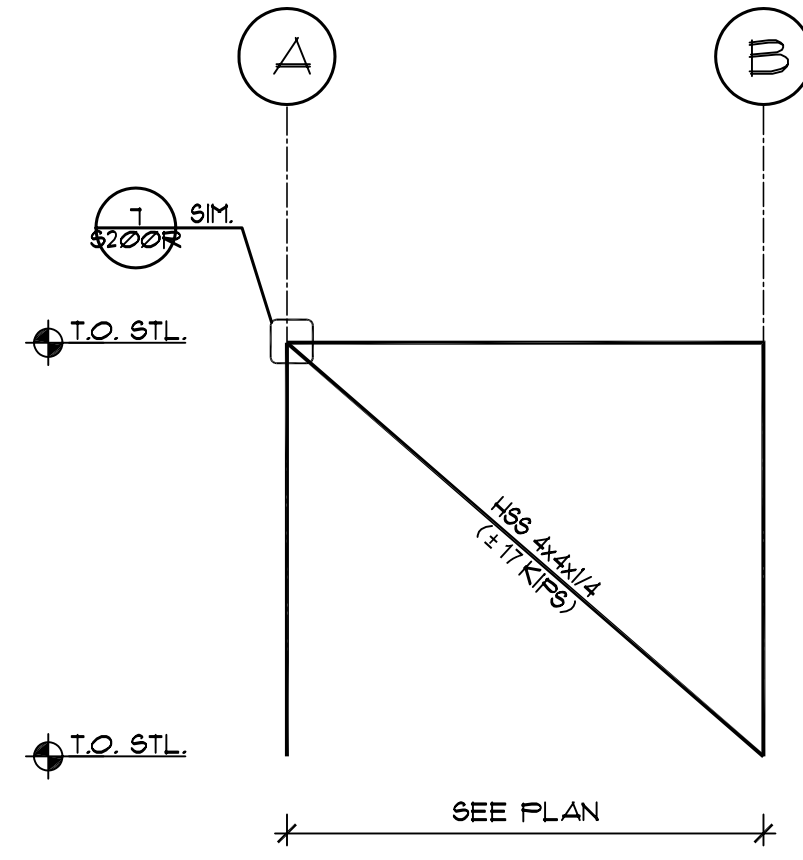


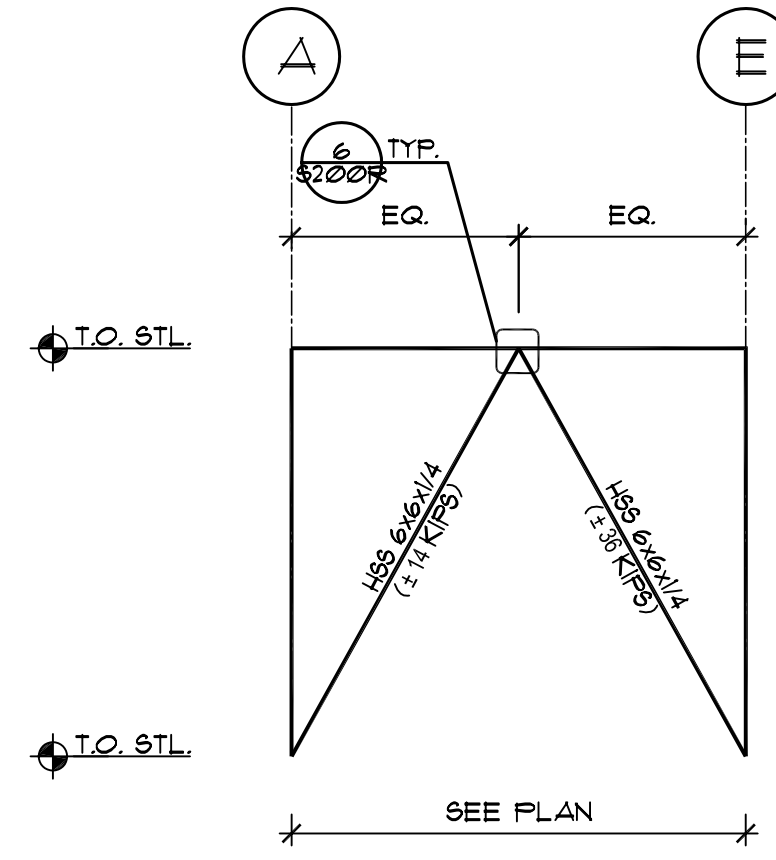
Filename: P:\02-0818 Maine Int Ferry Terminal\WORKING DRAWINGS\STRUCTURE\RECEIVING STATION\20343802-R-S201.dwg, Dec 23, 2005 - 2:19pm



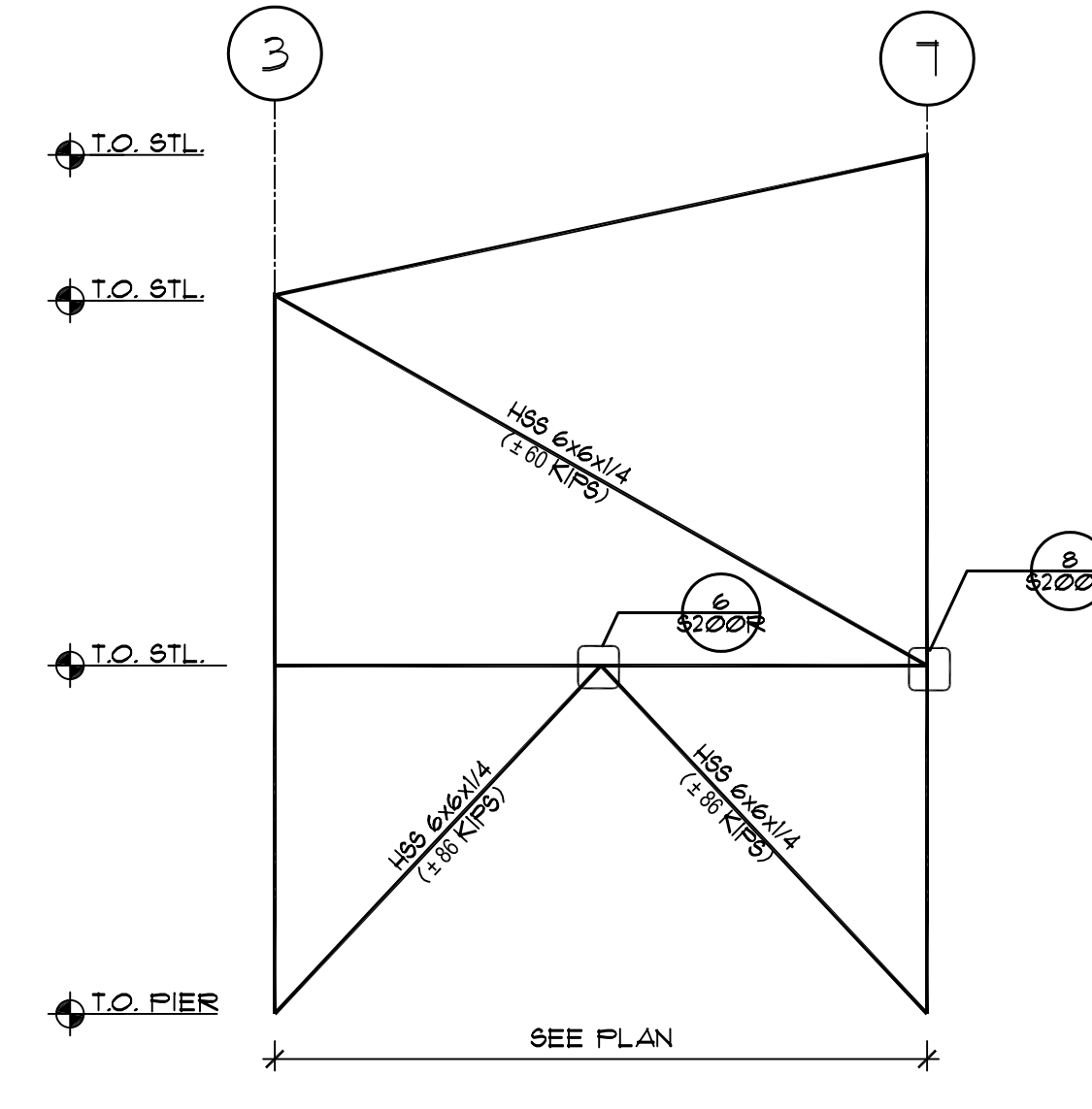
1 FRAME ELEVATION ON LINE (H)
SCALE: 1/8"=1'-0"



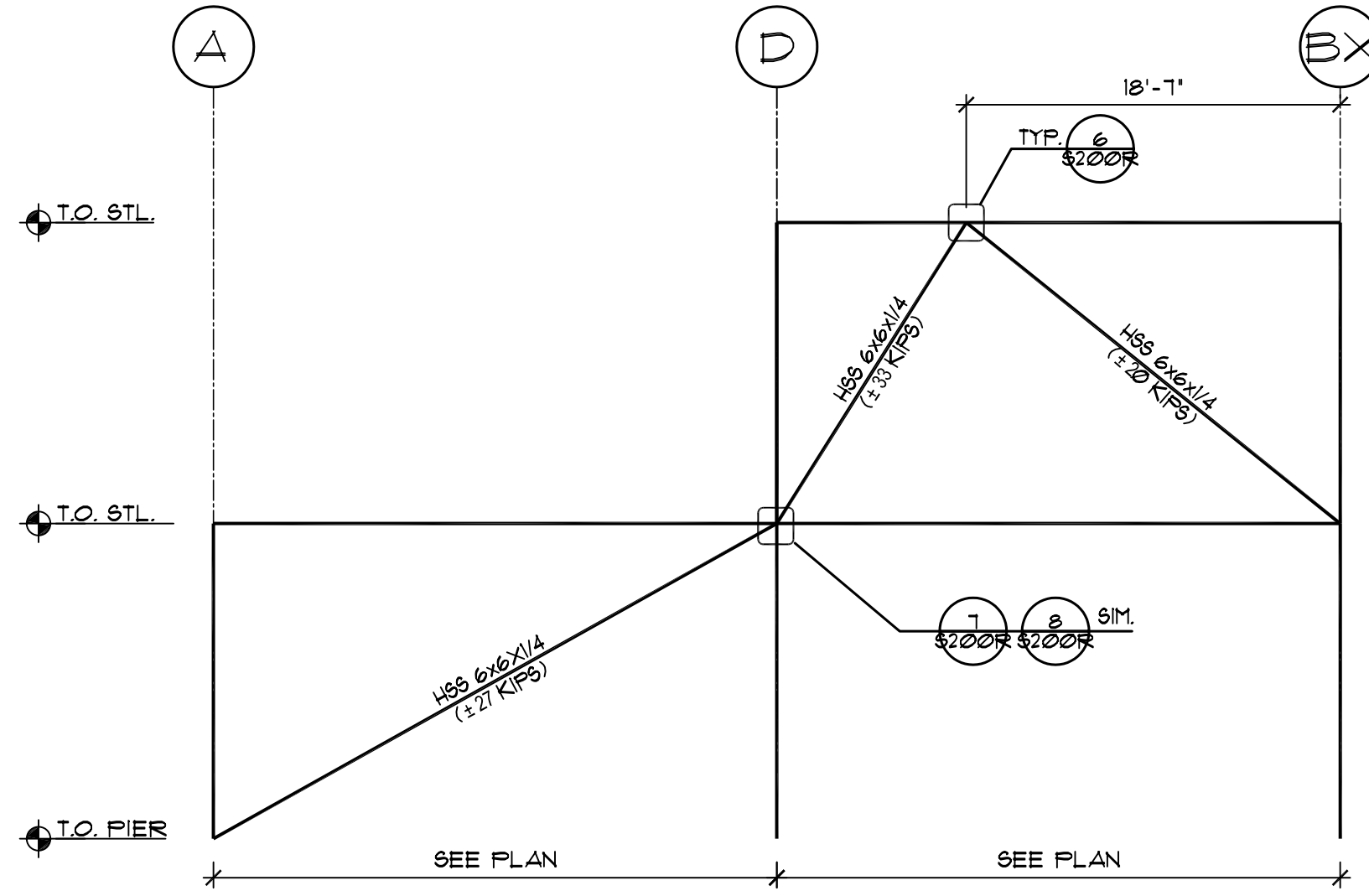
2 FRAME ELEVATION ON LINE (T)
SCALE: 1/8"=1'-0"



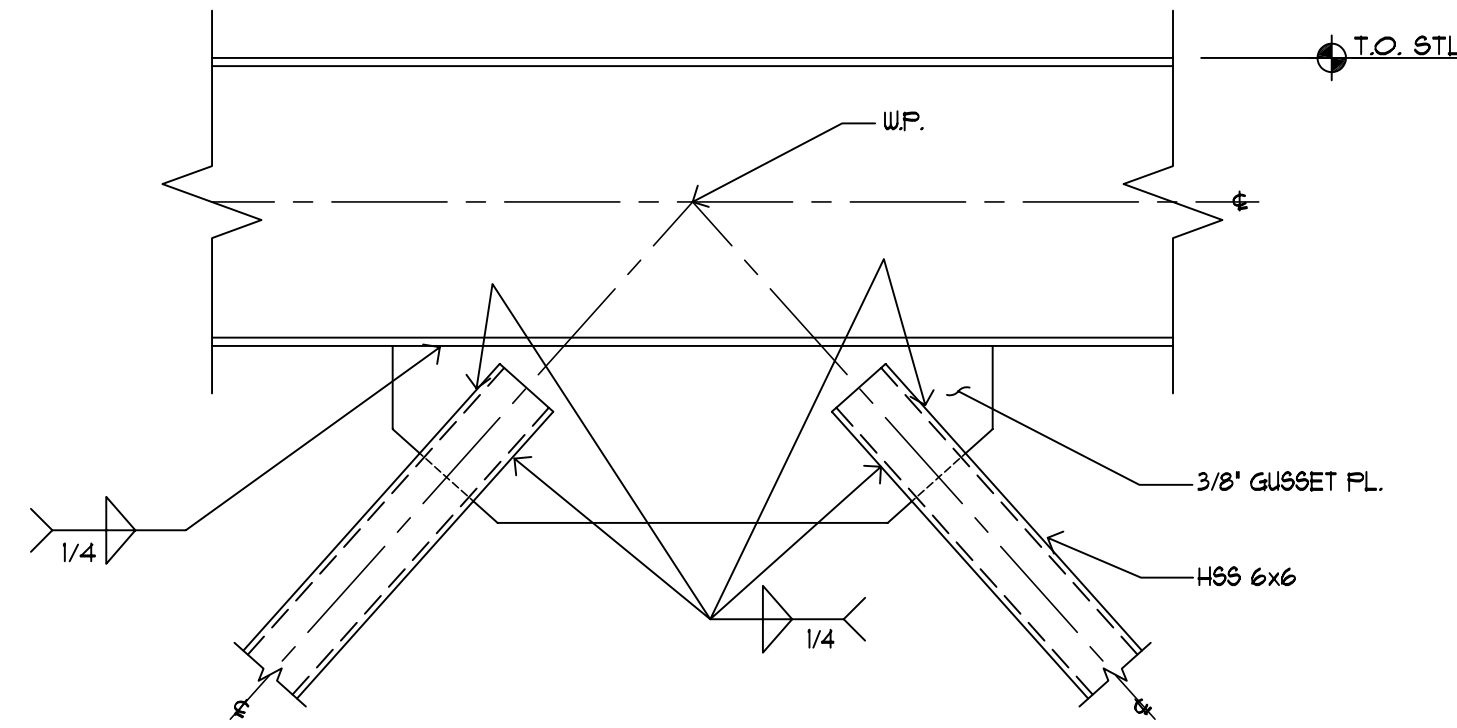
3 FRAME ELEVATION ON LINE (9)
SCALE: 1/8"=1'-0"



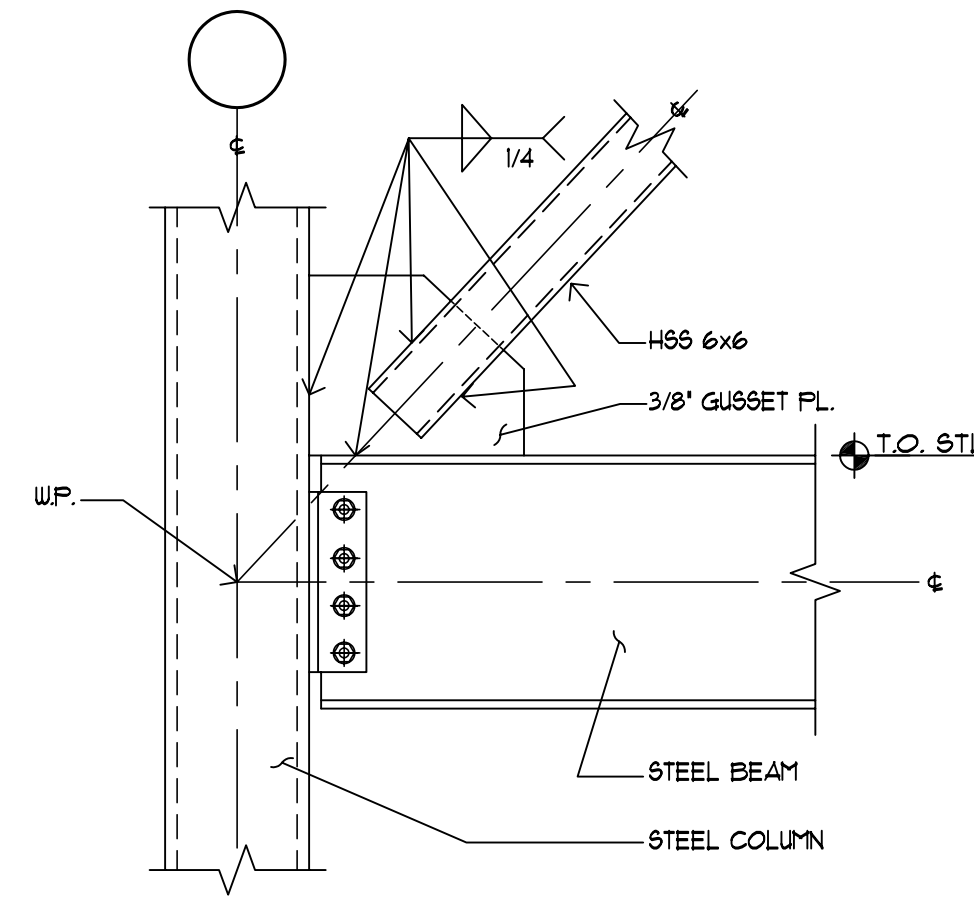
4 FRAME ELEVATION ON LINE (A)
SCALE: 1/8"=1'-0"



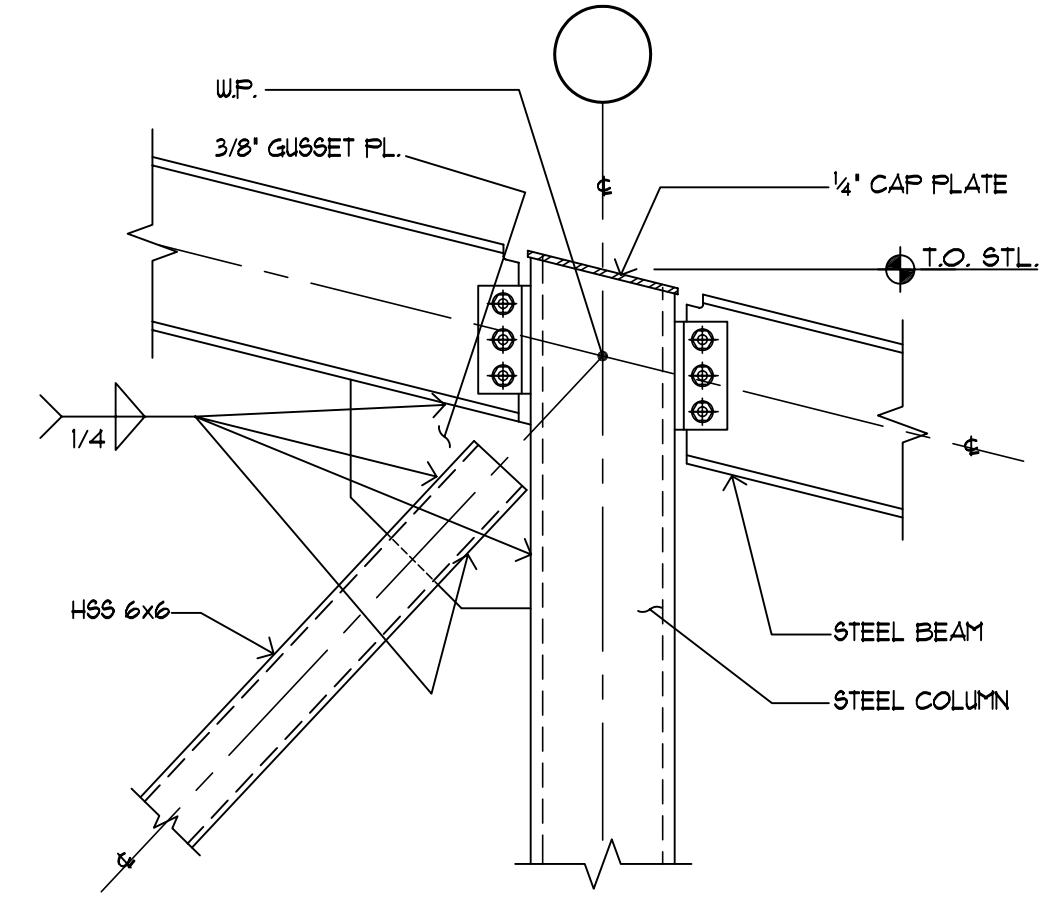
5 FRAME ELEVATION ON LINE (1)
SCALE: 1/8"=1'-0"



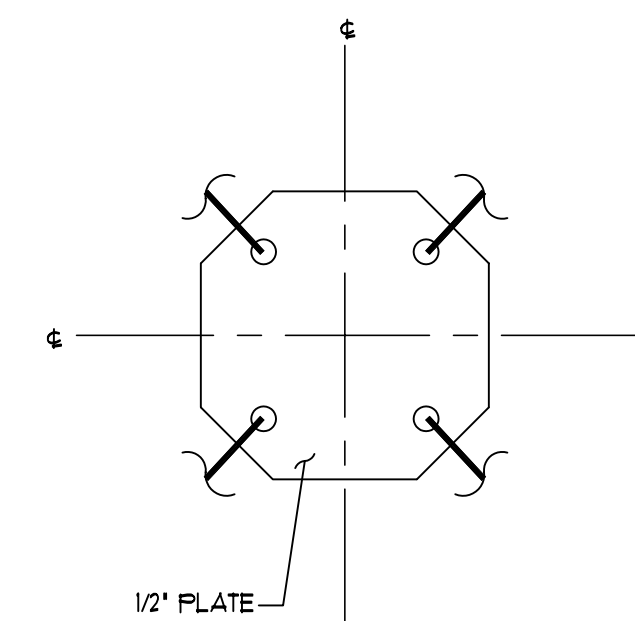
6 DETAIL
SCALE: 3/4"=1'-0"
STEEL DETAILER SHALL DESIGN CONNECTIONS FOR THE FORCES SHOWN.



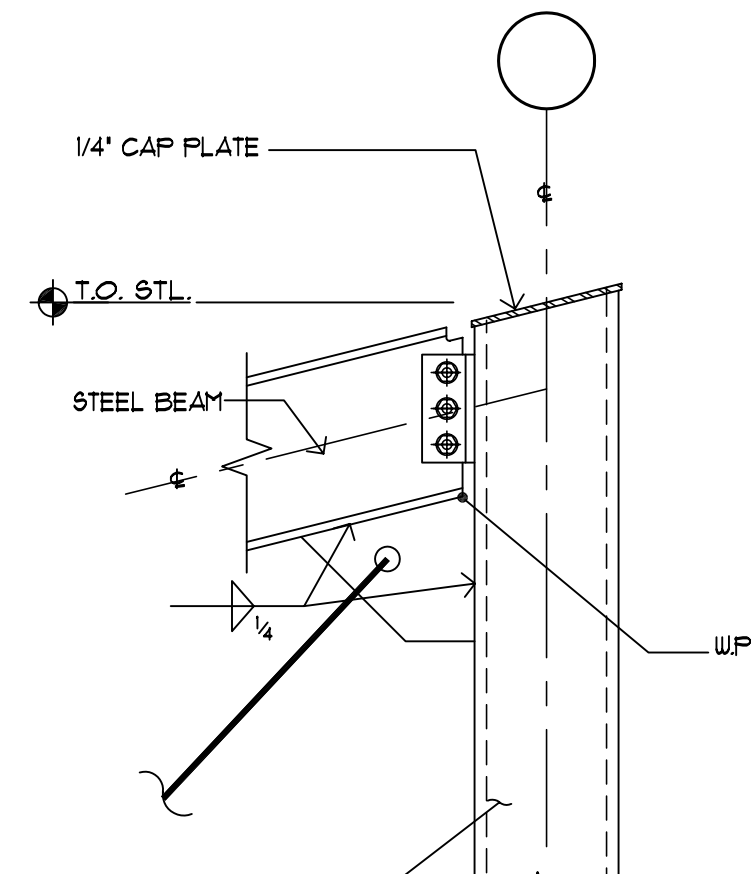
8 DETAIL
SCALE: 3/4"=1'-0"
STEEL DETAILER SHALL DESIGN CONNECTIONS FOR THE FORCES SHOWN.



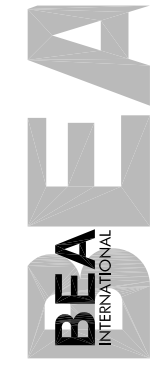
7 DETAIL
SCALE: 3/4"=1'-0"
STEEL DETAILER SHALL DESIGN CONNECTIONS FOR THE FORCES SHOWN.



9 DETAIL
SCALE: 3/4"=1'-0"
STEEL DETAILER SHALL DESIGN CONNECTIONS FOR THE FORCES SHOWN.

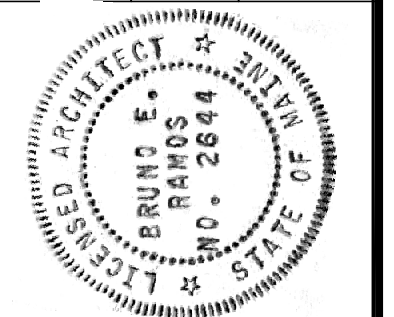


10 DETAIL
SCALE: 3/4"=1'-0"
STEEL DETAILER SHALL DESIGN CONNECTIONS FOR THE FORCES SHOWN.



IN ASSOCIATION WITH:
GORRILL-PALMER CONSULTING ENGINEERS
PERATROVICH, NOTTINGHAM, & DRAGE
MAYNARD, SMITH, ARCHITECTS
HALEY & ALDRICH

STATE OF MAINE
DEPARTMENT OF TRANSPORTATION
PROJECT NUMBER 009215.00
PIN 009215.00



SIGNATURE
P. LICENCE NUMBER
DATE 12/23/05

PROJ. MANAGER	PAUL POTLITZ	DATE
DESIGN-DETAILED		
CHECKED-REVIEWED		
DESIGN-2-DETAILED		
DESIGN-3-DETAILED		
REVISIONS 1	VAAP 22 DESIGN CHANGE	10/15/05
REVISIONS 2	VAAP-VE-CODE CHANGES	12/23/05
REVISIONS 3		
REVISIONS 4		
FIELD CHANGES		

CITY OF PORTLAND
OCEAN GATEWAY PHASE 1
RECEIVING STATION
GENERAL SECTIONS

S201-R